



BILLET DISTRIBUTOR INSTALLATION INSTRUCTIONS

GENERAL INFORMATION

1. **IMPORTANT:** Read all instructions before starting installation.
2. Flame-Thrower Billet distributors come with hardened steel distributor gears which should not be used in applications with a billet camshaft. Consult camshaft manufacturer for distributor gear compatibility.
3. Solid core spark plug wires **MUST NOT** be used.
4. Engines that have been decked, had significant cylinder head milling or oil pump modification should be checked for oil pump bind and proper cam gear engagement prior to installation.

DISTRIBUTOR REMOVAL

1. Crank the engine until it is positioned at top dead center on a compression stroke. The timing indicator should point to 0.
2. Remove the distributor cap, and make sure that the rotor is pointing towards the first cylinder in the firing order.
3. Disconnect the battery negative (-) cable.
4. Disconnect all wires and hoses attached to the distributor.
5. Remove the distributor hold down.
6. Remove the distributor by lifting up on the distributor housing while slightly turning the rotor.
7. Check the distributor gear for signs of excess wear, or potential problems.

DISTRIBUTOR INSTALLATION

1. Remove the Flame-Thrower billet distributor cap.
2. Install the distributor gasket over the gear, and up to the distributor collar. Use a small amount of gasket adhesive to help hold the gasket in place.
3. Lubricate the distributor gear and distributor shaft with clean engine oil.
4. Turn the shaft so that when the distributor is placed into the engine, the rotor position matches that of the original distributor. As the distributor drops down, the rotor will turn slightly as it engages with the camshaft gear. Adjust for this rotation by turning the rotor a few degrees prior to the gear engagement. Several attempts may be necessary to achieve the proper rotor position. The distributor collar should sit completely flat on the intake manifold or block.
5. Place the distributor cap onto the housing.
6. Turn the housing so that the terminal, that represents the first cylinder in the firing order, lines up with the rotor.
7. Install the distributor hold down and tighten the hold down bolt slightly. Once the ignition timing is adjusted the hold down bolt should be tightened completely.

8. Tighten the cap into place and install the spark plug wires in the proper firing order.
9. Locate the vacuum hose that was previously attached to the vacuum advance canister. This hose should originate at a ported vacuum source.

For Vacuum advance distributors:

Temporarily plug the end of this hose to allow proper timing. After setting initial timing the hose will be unplugged and attached to the vacuum advance on the distributor.

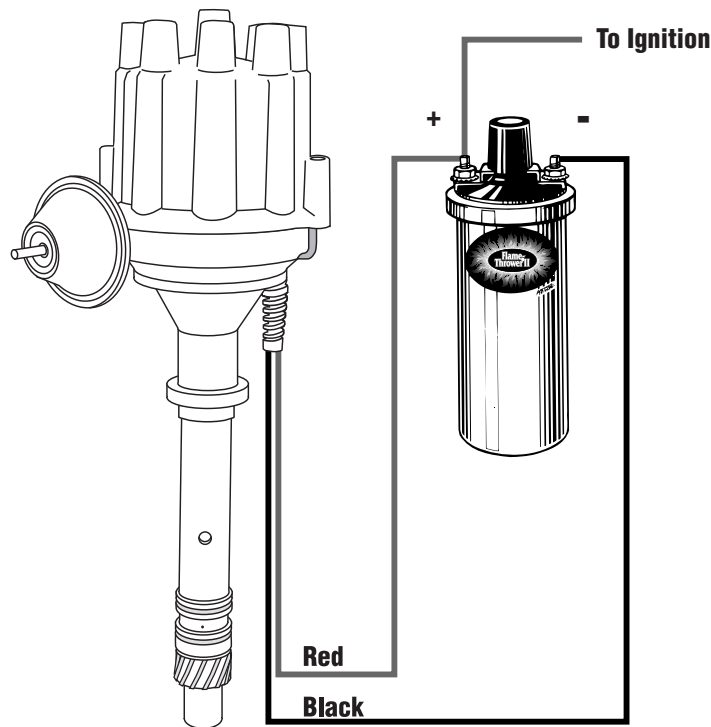
For Non-vacuum advance distributors:

remove the vacuum hose and plug the vacuum port.

WIRING

The Flame-Thrower billet distributor can be used in conjunction with most ignition coils rated at 0.6 ohms or greater. For optimum performance purchase and install a Flame-Thrower **II** high performance coil.

1. Many vehicles came equipped with ballast resistors or resistance wires. To achieve optimum performance we recommended removal of these components.
2. Determine the proper wire length, and attach the provided terminals. (Use a designated wire crimping tool to achieve an adequate connection)
3. Attach the **Red** wire to the coil positive terminal or a 12-volt ignition source.
4. Attach the **Black** wire to the coil negative terminal.
5. Check to insure correct polarity and that all connections are tight.
6. Reconnect the battery negative cable.



FINAL ADJUSTMENTS

1. Start the engine and set the initial timing.
2. Tighten the distributor hold down.
3. For vacuum advance distributors, connect the vacuum hose to the vacuum advance canister.

MECHANICAL ADVANCE ADJUSTMENTS

1. To adjust the mechanical advance curve, select the appropriate springs from the chart below. The Flame-Thrower billet distributor is factory equipped with the silver springs.
2. Remove the cap and rotor.
3. Remove the existing springs and install the desired springs.
4. Reinstall the rotor and cap.

		R. P. M.										
		500	1000	1500	2000	2500	3000	3500	4000	4500	5000	5500
Copper		0	5	16	24	24	24	24	24	24	24	24
Silver		0	0	3	10	16	22	24	24	24	24	24
Bronze		0	0	0	3	7	10	14	18	22	24	24

Crankshaft Degrees

The Flame-Thrower billet distributor comes with three different sets of advance limiters. These allow the maximum mechanical advance to be limited to 20, 16 or 12 degrees.

1. Choose the desired advance limit from the chart below.
2. Remove the distributor cap and rotor.
3. Remove the advance springs.
4. Install one advance limiter on each inner advance pin. (See Figure 1)
5. Reinstall the advance springs.
6. Reinstall the rotor and cap.
7. The advance limiters can be mixed resulting in unique variations of the original advance curve. When combined with mixed advance springs and limiters the mechanical advance can have a maximum of 78 different advance curves.

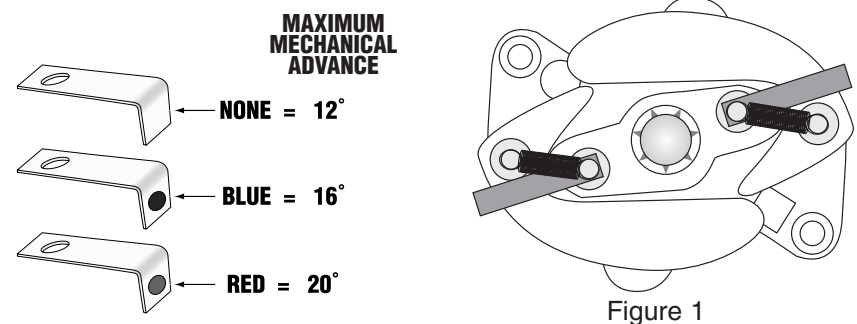


Figure 1