

Pioneer



16 cm

160W MAX.

TS-MR1640

2-Way Speaker

- MARINE-USE WATERPROOF DESIGN
- HIGH QUALITY UV AND CORROSION-RESISTANT DESIGN
- IMPP COMPOSITE CONE WOOFER



TS-MR1640



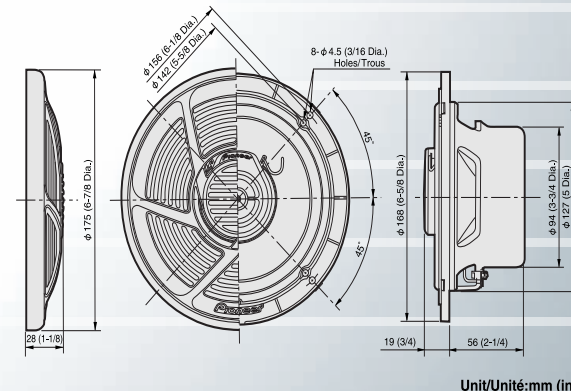
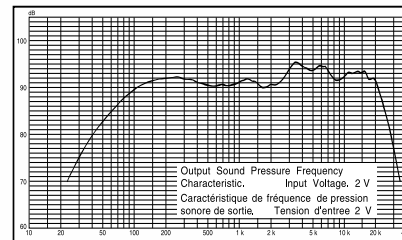
2-Way Speaker

- MAX. MUSIC POWER 160 W
- NOMINAL POWER 30 W
- WOOFER Ø160 mm
- TWEETER Ø27 mm
- IMPEDANCE 4 OHMS
- SENSITIVITY 91 dB
- FREQUENCY RESPONSE 30 Hz TO 30 kHz
- GROSS WEIGHT 2.20 kg 4 lb 14 oz

16 cm

160W MAX.

Pioneer



● PARTS INCLUDED

φ4 mm × 30 mm × 8 × 8

Unit/Unité: mm (in.)



XCN/EW5

1 PAIR



TS-MR1640

2-Way Speaker



16 cm

160W MAX.

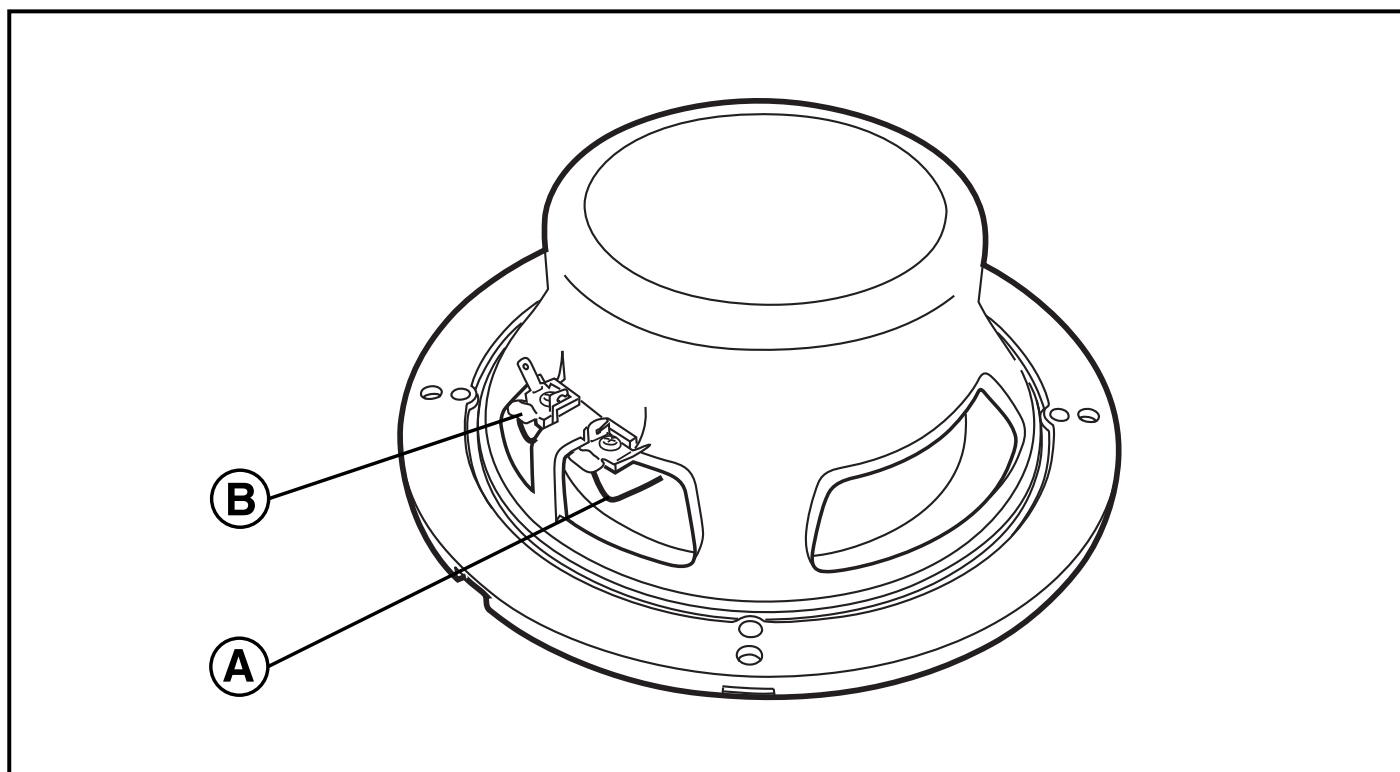
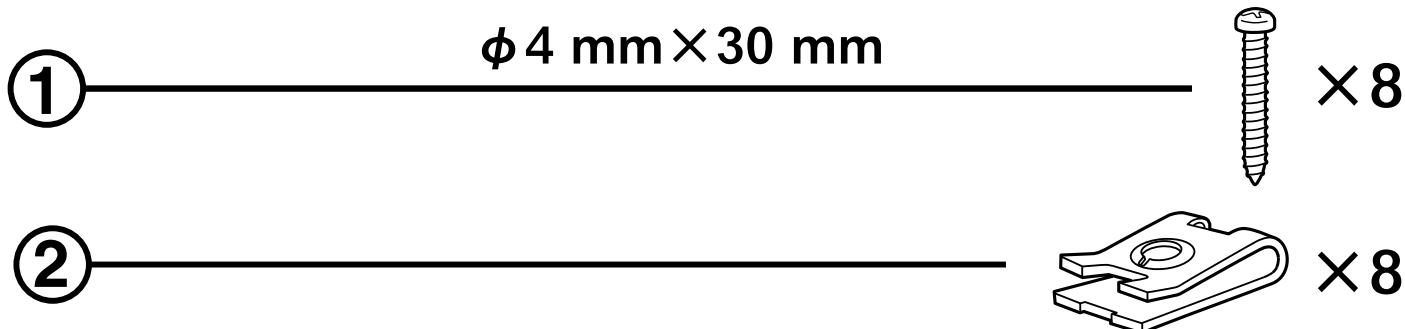
Pioneer

CAUTION

1. Do not touch the speaker flexible wire **(A)**.
2. Do not change the direction of the speaker terminal assembly **(B)**.
3. Make sure lead and speaker terminals do not contact metal.

- Do not fail to read the instructions on the flap to the opposite side.

● PARTS INCLUDED



If you want to dispose this product, do not mix it with general household waste. There is a separate collection system for used electronic products in accordance with legislation that requires proper treatment, recovery and recycling.

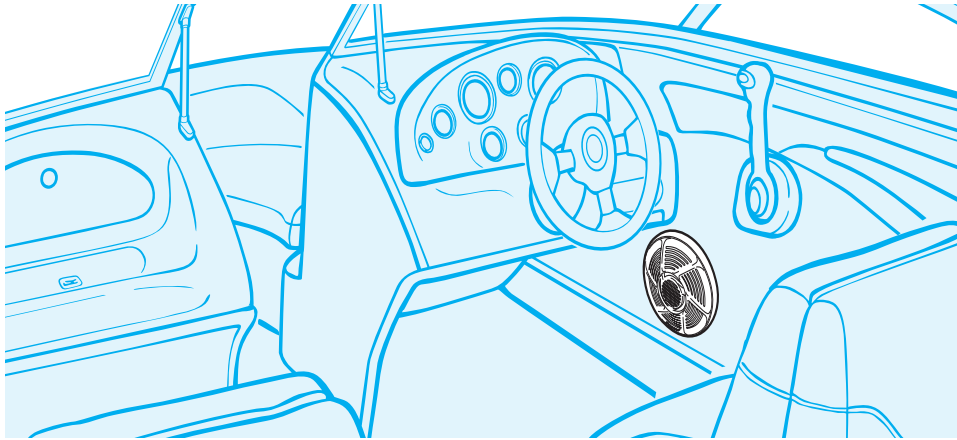
Private households in the member states of the EU, in Switzerland and Norway may return their used electronic products free of charge to designated collection facilities or to a retailer (if you purchase a similar new one).

For countries not mentioned above, please contact your local authorities for the correct method of disposal.

By doing so you will ensure that your disposed product undergoes the necessary treatment, recovery and recycling and thus prevent potential negative effects on the environment and human health.

Be sure to read this instruction manual before installing this speaker.

●EXAMPLE OF MOUNTING

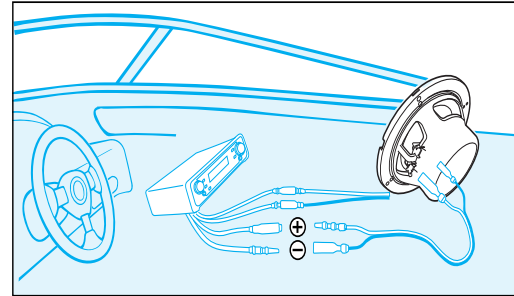


Be sure to install at a place having no possible problem with the boat's safety. Consult your dealer on method of installation.

●CAUTION

●HOW TO INSTALL

●CONNECTIONS



This product does not contain connecting cords and terminals.

●SPECIFICATIONS

- Reproduction system Coaxial two way
- Speaker specifications
 - Woofer ϕ 168 mm (6-1/2" Dia.)
 - Water-resistant
 - Injection-molded polypropylene cone
 - Weatherproof & high-compliance, rolled edge
 - Heat-resistant voice coil
 - Gold-plated terminal
 - Gold-plated flexible leadwire
 - Strontium magnet : 250 g (9 oz)
 - Tweeter ϕ 27 mm (1" Dia.) Dome speaker
 - Magnetic fluid
 - Strontium magnet : 21 g (0.7 oz)
- Nominal impedance 4 Ω
- Maximum music power 160 W
- Nominal power 30 W
- Grille material UV Resistant resin
- Weight (per speaker including accessory parts) 1.02 kg (2 lb 4 oz)
- Gross weight (2 speakers including packaging) 2.20 kg (4 lb 14 oz)

