

GSMR30 MANUAL



MP4/MP3/Photo Playback Gauge Series Marine Radio

FEATURES

- 4 Channel
- Full Range, Class A/B
- 45W x 4 @ 4Ω
- IPX5 Water proof

INPUTS AND OUTPUTS

- Bluetooth Audio Streaming
- Easy Pairing with Auto Reconnect
- AUX-In
- USB-In for Music, Movie and Photo
- 18 Preset AM/FM Stations
- Compatible with Audio Output of Smartphones and MP3 players
- 1 Video Output
- 1 Subwoofer Output
- 1 Pre-Amp Output

THIS PACKAGE CONTAINS

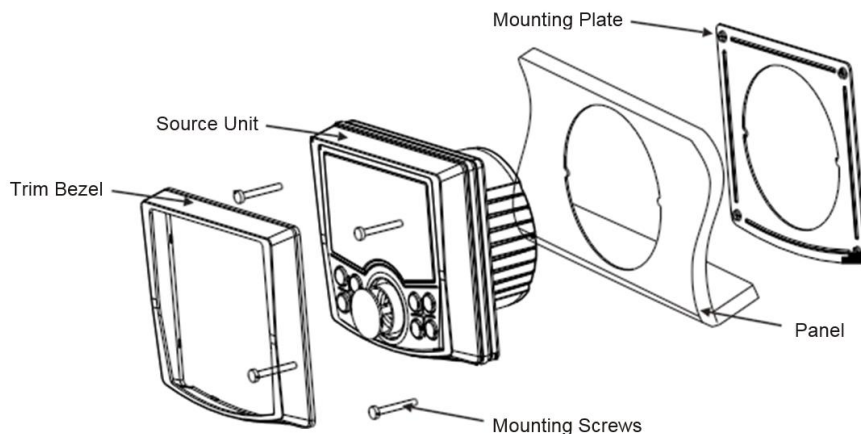
- Trim Bezel x 1
- Power/Speaker Harness x 1
- USB Extension Cable x 1
- U Mounting Bracket x 1
- Mounting Plate x 1
- Mounting Screws x 4
- Mounting Nuts x 2
- Owner's Manual x 1

TABLE OF CONTENTS

Installation	3
Wiring Diagram	5
Button Description	7
Basic Operation	7
Radio Operation	8
Media (USB) Operation	9
AUX IN Operation	11
Bluetooth Operation	11
Troubleshooting	12
Technical Specifications	13
Cut-Out Template	14

INSTALLATION

Mounting (Using Mounting Plate)



1. Choose a mounting location on the dash board or instrument panel that will allow room behind to run radio cables to the power source. Consider how you will use the AUX IN, LINE OUT and USB connectors and route the appropriate extension cables to an accessible area.

2. Once you have determined a mounting location, you will need to cut a circular hole 3.1875 inches or 81mm in diameter. Cut-out template available on page 15. At least 3.75-inch depth is needed to mount the radio.

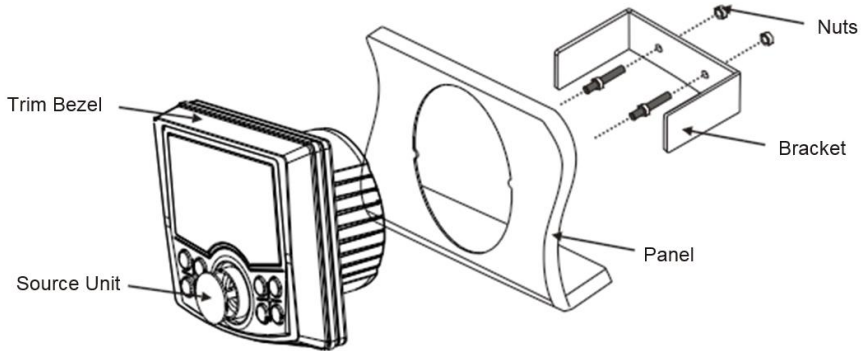
IMPORTANT! Do not mount this unit where it can be submerged in water.

3. Slide the mounting plate over the backside of the unit and secure with the supplied screws.

4. Press on the trim bezel to the front side of the unit.

5. Plug in all wiring harnesses and cables. Refer to the wiring diagram on page 5 for wire harness connection types.

Mounting the Radio (Using the U bracket)



1. Choose a mounting location on the dash board or instrument panel that will allow room behind to run radio cables to the power source. Consider how you will use the AUX IN, LINE OUT and USB connectors and route the appropriate extension cables to an accessible area.

2. Once you have determined a mounting location, you will need to cut a circular hole 3.1875 inches or 81mm in diameter. Cut-out template available on page 15. At least 3.75-inch depth is needed to mount the radio.

IMPORTANT! Do not mount this unit where it can be submerged in water.

3. Take the U bracket and slide over the two studs on the back of the unit. Tighten down with supplied nuts.

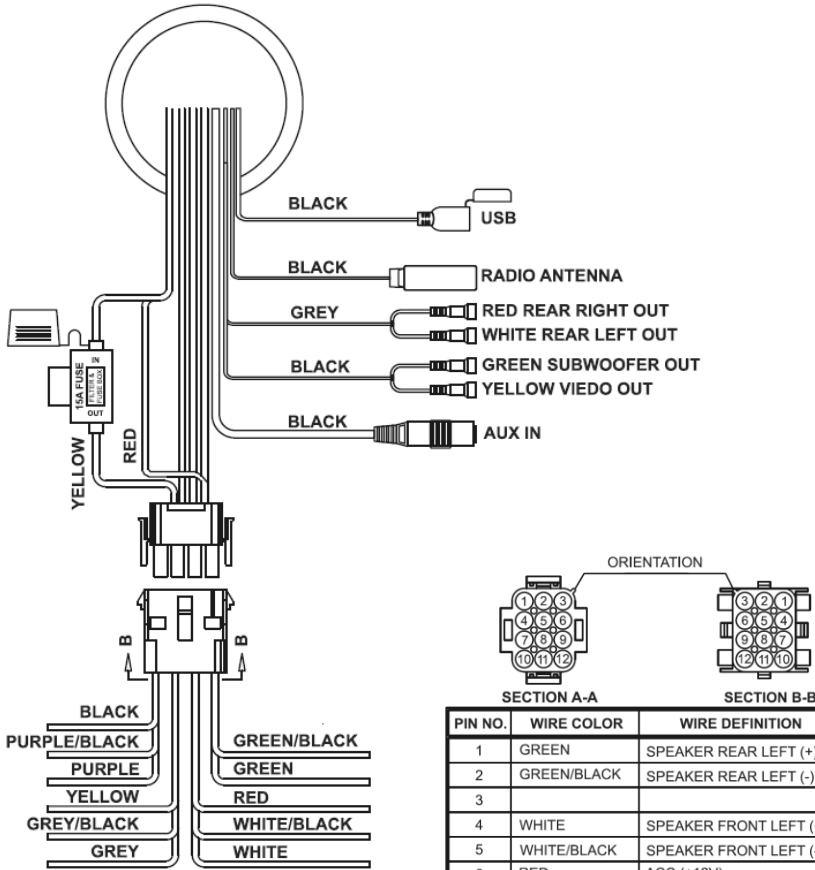
4. Press on the trim bezel to the front side of the unit.

5. Plug in all wiring harnesses and cables. Refer to the wiring diagram on page 5 for wire harness connection types.







Tip: When a suitable ground wire is not present in the vehicle wiring harness. Connect the black ground wire to the vehicle chassis.

Fuse: When replacing the fuse, make sure new fuse is the correct type and amperage. Using an incorrect fuse could damage the radio.

WIRING DIAGRAM

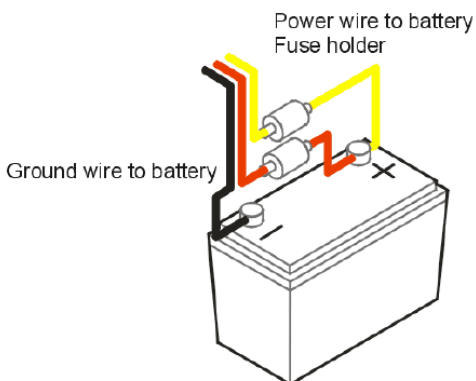


PIN NO.	WIRE COLOR	WIRE DEFINITION	AWG
1	GREEN	SPEAKER REAR LEFT (+)	20
2	GREEN/BLACK	SPEAKER REAR LEFT (-)	20
3			
4	WHITE	SPEAKER FRONT LEFT (+)	20
5	WHITE/BLACK	SPEAKER FRONT LEFT (-)	20
6	RED	ACC (+12V)	16
7	GREY	SPEAKER FRONT RIGHT (+)	20
8	GREY/BLACK	SPEAKER FRONT RIGHT (-)	20
9	YELLOW	REMOTE (+)	20
10	PURPLE	SPEAKER REAR RIGHT (+)	20
11	PURPLE/BLACK	SPEAKER REAR RIGHT (-)	20
12	BLACK	GROUND (-)	16

FIRST CHOICE	
STANDARD	FUNCTION
 RED	 +12V Ignition On
 YELLOW	 +12V Battery Constant
 BLACK	 -12V (-) Neg / Ground

SECOND CHOICE

Marine stereo power and ground wiring



Wiring Details:

Use the wired plug end (Pigtail) provided to make power and speaker connections according to the diagram above. Using this connector will make it easy to disconnect the radio for adding additional features or service. Removing the factory plug end will void the warranty.

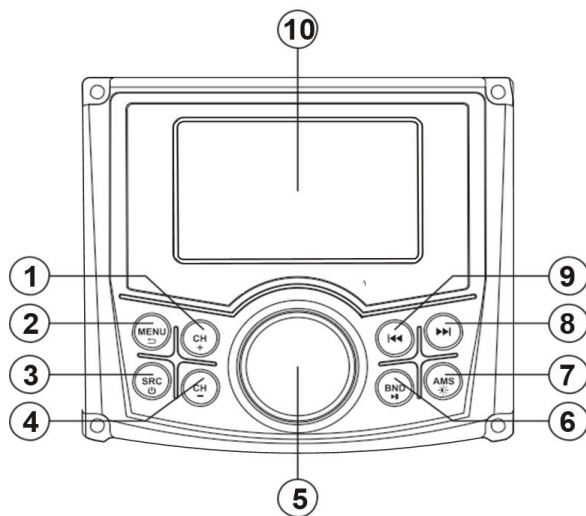
Power Wire Specifications:

Yellow Wire - Connect this wire to a constant +12V source.

Red Wire - Connect this wire to a switched +12V source such as an ignition or accessory switch. Red wire must be connected to +12V source for unit to operate.

Black Wire - Connect this wire to the negative battery terminal or other good power ground.

BUTTON DESCRIPTION



- 1 - Next Preset Stations (Radio - AM/FM)
- 2 - Menu / Return
- 3 - Source / Power
- 4 - Previous Preset Stations (Radio - AM/FM)
- 5 - Volume Knob (Rotate) / Confirm (Press)
- 6 - Play / Pause | Band (Radio) | Video I/O Switch (Press and Hold While Playing Video)
- 7 - Auto Memory Storing (Radio) / Button Backlight on/off
- 8 - Tune Up / Next Track
- 9 - Tune Down / Previous Track
- 10 - TFT Display

BASIC OPERATION

SWITCHING ON/OFF THE UNIT

Press **SRC** button to turn on the unit. Press and hold **SRC** button to turn off the unit

SOURCE SELECTION

Press **SRC** or **MENU** to choose desired listening mode. (E.g. Radio mode

to USB mode to AUX IN mode... etc.)

ADJUSTING THE AUDIO LEVEL, SUBWOOFER, LOUD ON/OFF AND EQ SETTING

Press **SRC** or **MENU** button to select radio mode. Press **Volume knob** twice to enter these settings (BAS, MID, TREB, BAL, FAD, SUB, LOUD ON/OFF, EQ) then press **Volume knob** again to select between setting then rotate the **Volume Knob** to adjust to your desired setting. When done, Press **MENU** button to return to previous display.

ADJUSTING CLOCK, TIME FORMAT, LANGUAGE, TUNER FREQUENCY, RESTORE FACTORY SETTING AND TO VIEW SOFTWARE VERSION

Press **MENU** button then select **SETTINGS** using the **Volume Knob** then press the **volume knob** to confirm. Rotate and press **Volume knob** to select and adjust between settings. When done, Press **MENU** button to return to previous display.

MUTE / PAUSE

Press **BND** button to mute / pause the sound. Press again to return to previous volume level.

BUTTON BACKLIGHT ON/OFF

Press **AMS** button to turn off / on the backlight on the buttons.

RADIO OPERATION

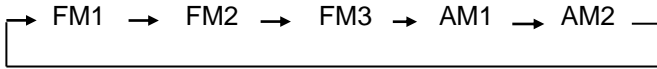


SWITCHING TO RADIO MODE

Press **SRC** or **MENU** button to select radio mode.

SELECTING THE FREQUENCY BAND

In radio mode, press **BND** button to locate the desired band. The reception band will change in the following order:



SELECTING STATION

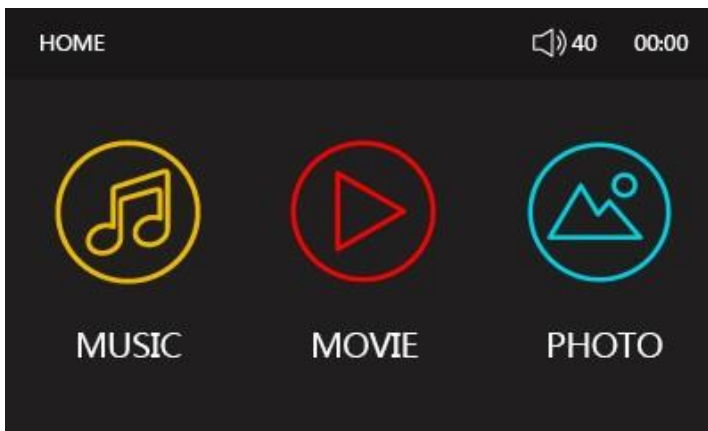
Press **▶▶/◀◀** button to select a station manually or Press and Hold **▶▶/◀◀** button to automatically select the strongest station. Or Press **CH+** or **CH-** buttons to access the Preset stations stored on the display

AUTOMATIC MEMORY STORING & PRESET SCAN

Press and Hold **AMS** button, the radio searches and checks the signal strength until one cycle search is finished then the strongest stations are stored automatically into the corresponding preset stations on the display. Each band can store up to 6 preset stations.

Please note: the new stations will replace any stations previously stored on the Preset Stations.

MEDIA (USB) OPERATION



Please make sure that Music, Movie and Photo files are saved in separate folders for these features to work.

SWITCHING TO USB MODE

If there is no USB inserted in the driver:

Insert a USB through the USB port located at the back of the unit then the unit will automatically play the music files.

If a USB is already inserted in the driver:

Press **SRC button** to change to USB mode.

SELECTING A SONG

Press **▶▶** or **◀◀** button to select a song.

SELECTING A SONG BY TITLE OR BY FILENAME

Press and rotate **Volume Knob** to select music by title/filename then press **Volume knob** again to confirm.

PAUSE FUNCTION

Press **BND button** to pause play. Press **BND button** again to resume play.

To play MOVIE - press **MENU button** then rotate **Volume knob** to select MOVIE then press to play. If available, press **▶▶** or **◀◀** button select another movie to play

SELECTING A MOVIE BY TITLE OR FILENAME

Press and rotate **Volume Knob** to select movie by title/filename then press **Volume knob** again to confirm.

Video output - If GSMR30 is connected to an external TFT screen, press and hold **BND button** for 2 second to switch to external display, GSMR30 screen will be blank while video is displaying to an external screen. Press and hold **BND button** again to resume GSMR30 screen display.

To play PHOTO file - press **MENU button** then rotate **Volume knob** to select PHOTO to play.

Once selected, unit will automatically display the photos by slide show.

IMPORTANT NOTE:

Some USB devices may not be compatible with the unit.

Some USB devices may take more than 45 seconds to initiate after plugging in. If this happens, try to remove the USB memory stick and insert it again.

CAUTION

If there are important files in the USB device, do not connect it to the main unit to play. Any wrong operation may cause file loss. Our company

assumes no responsibility for lost files or directories.

Media type	USB (can support USB2.0)
Capacity	16GB Max

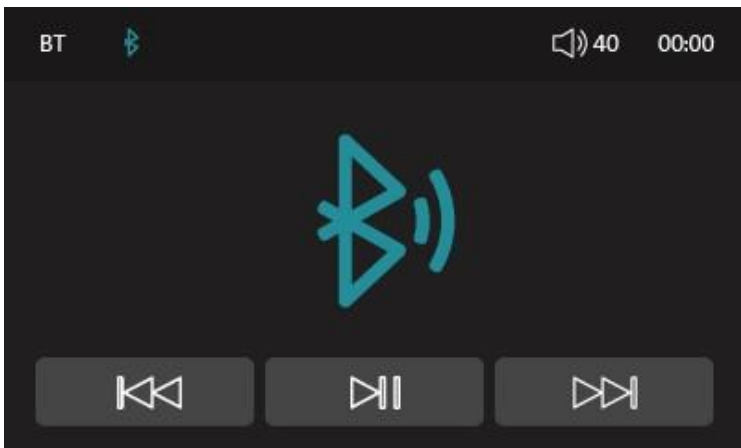
AUX IN OPERATION

This unit can be connected to any portable music devices such as MP3 Player or smartphone devices through the AUX IN located at the back of the unit.

Press **SRC button or MENU button** to change the mode to "AUX IN"

Please note: In this mode, all controls and functions must be controlled from your music device.

BLUETOOTH OPERATION



On the radio - Press SRC button or MENU button to change to Bluetooth (BT) mode.

On your Bluetooth music device – Turn on or enable Bluetooth feature then open Bluetooth setting for pairing. Choose “GSMR30” from the list of available Bluetooth link.

Once connected, you can now start playing your favorite music from your Bluetooth music device. Operating Range is up to 30’ (will vary, dependent on installation)

If available, Press **▶▶** or **◀◀** **button** to select a song

PAUSE FUNCTION

Press **BND button** to pause play. Press **BND button** again to resume play.

IMPORTANT NOTE:

Some Bluetooth-enabled devices may take more than 45 seconds to initiate after pairing or does not pair at all. If this happen, try to turn off the stereo and the device and pair it again.

The head unit supports A2DP wireless streaming audio from a Bluetooth music device to GSMR30.

TROUBLESHOOTING

ISSUE	OPTIONS
Unit will not turn on (no power)	CAUSE: Yellow/red wire not connected or incorrect voltage ACTION: Check connections for proper voltage (11-16V DC)
	CAUSE: Black wire not connected ACTION: Check connection to ground
	CAUSE: Fuse blown ACTION: Replace the fuse
Unit has power (but no sound)	CAUSE: Speaker wire not connected ACTION: Check connections at speakers
	CAUSE: One or more speaker wires touching each other or touching chassis ground ACTION: Insulate all bare speaker wires from each other and chassis ground
Unit blows fuses	CAUSE: Yellow/red wire touching chassis ground ACTION: Check for pinched wire

	CAUSE: Speaker wires touching chassis ground ACTION: Check for pinched wire
	CAUSE: Incorrect fuse rating ACTION: Use fuse with correct rating

TECHNICAL SPECIFICATIONS

NOTE: Specification & design subject to change without notice for improvements.

General

Power supply requirements: DC 12V Negative Ground
Load impedance: 4-8 Ohms/channel
Maximum output power: 45W x 4 (CH)
Operate temperature: -10-50

MUTLIMEDIA SUPPORT

AUDIO FORMAT: MP3/WMA/OGG/FLAC/APE/AAC/AC3

VIDEO FORMAT: MPEG 1/ MPEG 2/ MPEG 4-

XVID/DIVX/H.264/H.263/WMV9/RMVB

PHOTO: JPEG/BMP

FM Tuner: Tuning range: 87.9MHz-107.9MHz (USA)
87.5MHz-108MHZ (EUR)

AM Tuner: Tuning range: 530KHz-1710 KHz (USA)
522KHz-1620 KHz (EUR)

USB playback

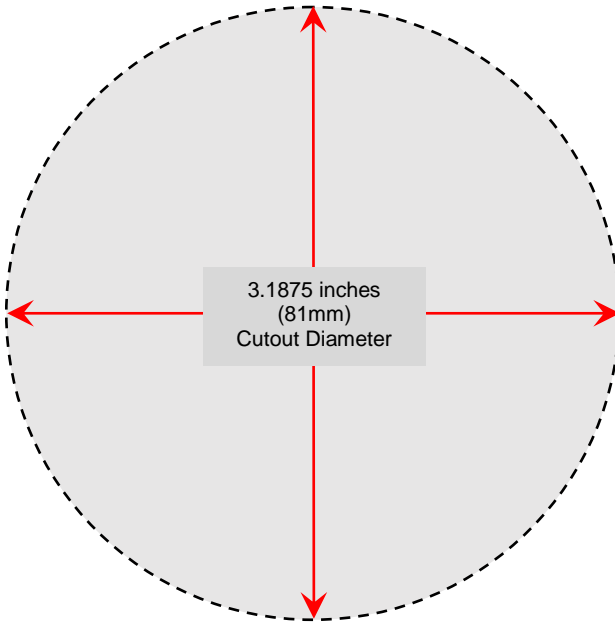
Signal to Noise Ratio: 55dB
Frequency Response: 50Hz- 20KHz
A/D Conversion Filter: 16BIT
USB Storage Capacity: 16GB Max

Bluetooth

Version: 3.0

CUT-OUT TEMPLATE

Cutout shaded part and use as template for drilling



Scale= 1:1
Reproduction may change
accuracy

detach here