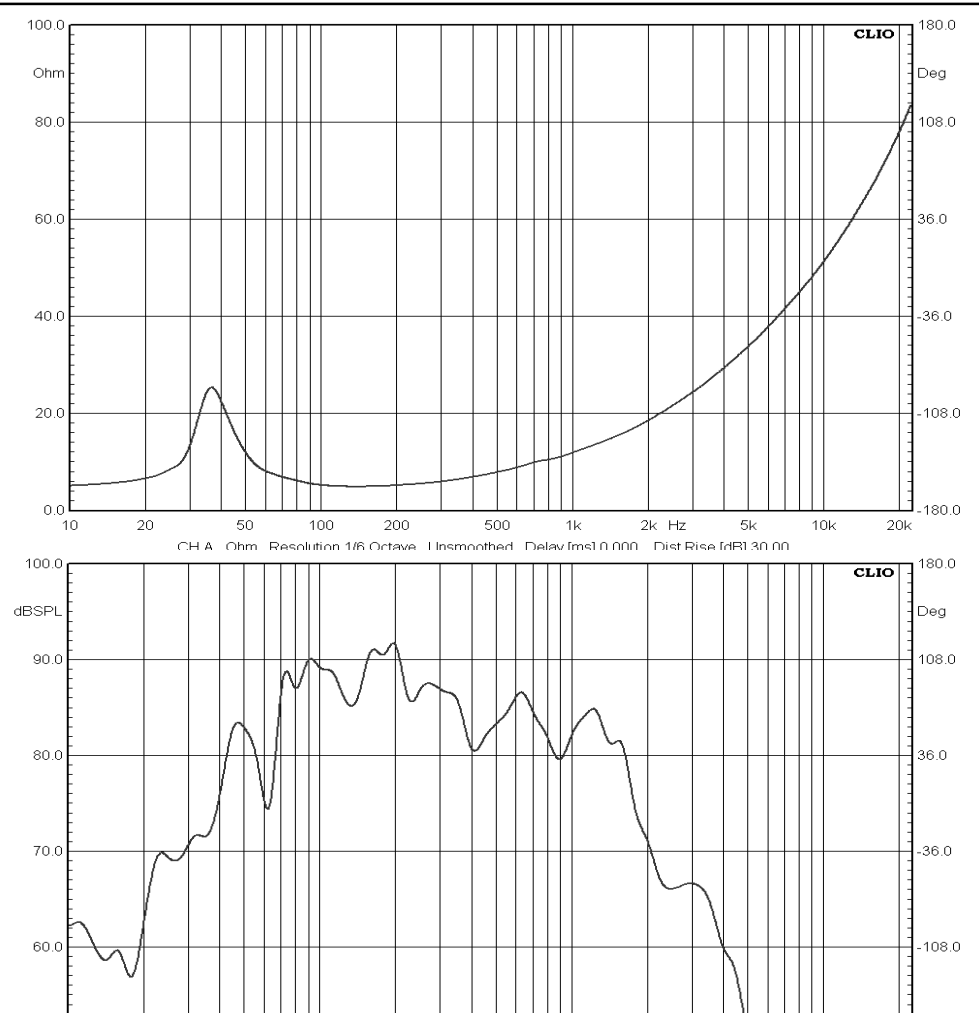


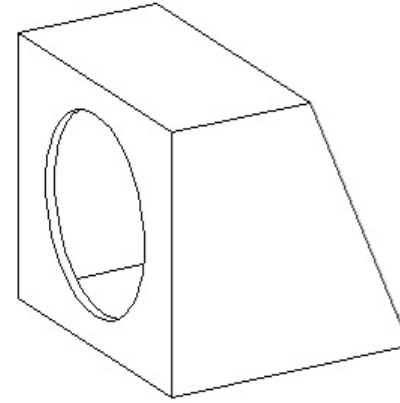
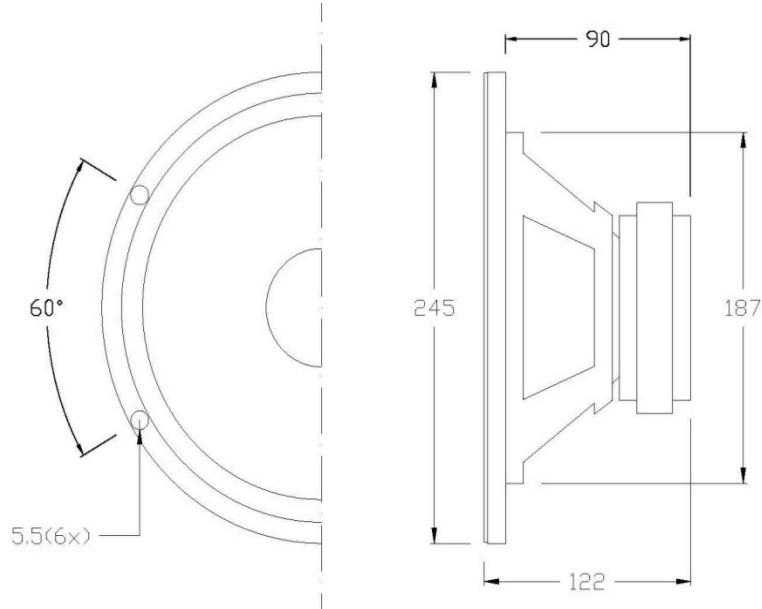
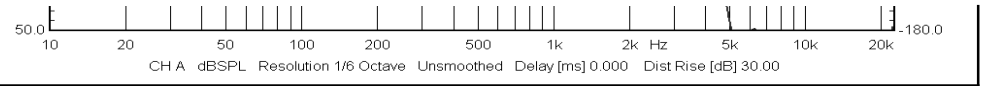


## SPEAKER SPECIFICATIONS

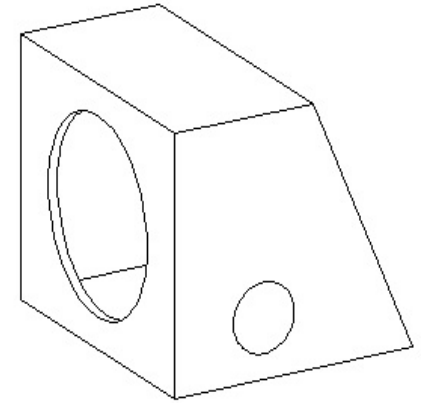
<b>Model Number:</b>	PLMRW8	
<b>GENERAL SPECIFICATIONS</b>		
Nominal Diameter:	8 inch	
Rated Impedance:	4 ohms	
Operating Bandwidth:	40-1.8k hz (-3dB)	
Power Handling Capacity:	200 Watts	
Sensitivity (1W/M):	88 dB(+/-3dB)	
Voice Coil Diameter:	1.5 inch	
<b>THIELE-SMALL PARAMETERS</b>		
Resonance Frequency	Fs:	36.6 HZ
DC Resistance	Re:	3.4ohm
Mechanical Q Factor	Qms:	3.2313
Electrical Q Factor	Qes:	0.502
Total Q Factor	Qts:	0.4345
Equivalent Cas air load	Vas:	33.97 L
Surface Area of Cone	Sd:	0.0216 m <sup>2</sup>
Efficiency Bandwidth Product	EBP	52.9
Voice Coil Over Hang	X-max:	5.5 mm
<b>PHYSICAL INFORMATION</b>		
Basket:	Molded ABS Plastic Ba	
Magnet Type:	24 OZ	
Cone Material:	PP Cone	
Surround:	Rubber	



Dust Cap:	PP
Damper:	cloth



Sealed Box



Vented Box

Suggested enclosure parameters	Sealed		Vented	
	Small	Large	Small	Large
Enclosure volume, cu. ft.	0.74	NA	0.74	NA
Vent length, inches	-	-	4.1	-
Vent diameter, inches	-	-	2.0	-
Enclosure Frequency, Hz	59	-	-	-
Fb Tuning Frequency of Vented Enclosure, Hz	NA	-	44	-
F3 Systems 3dB Down Piont (Sealed), Hz	44	-	-	-