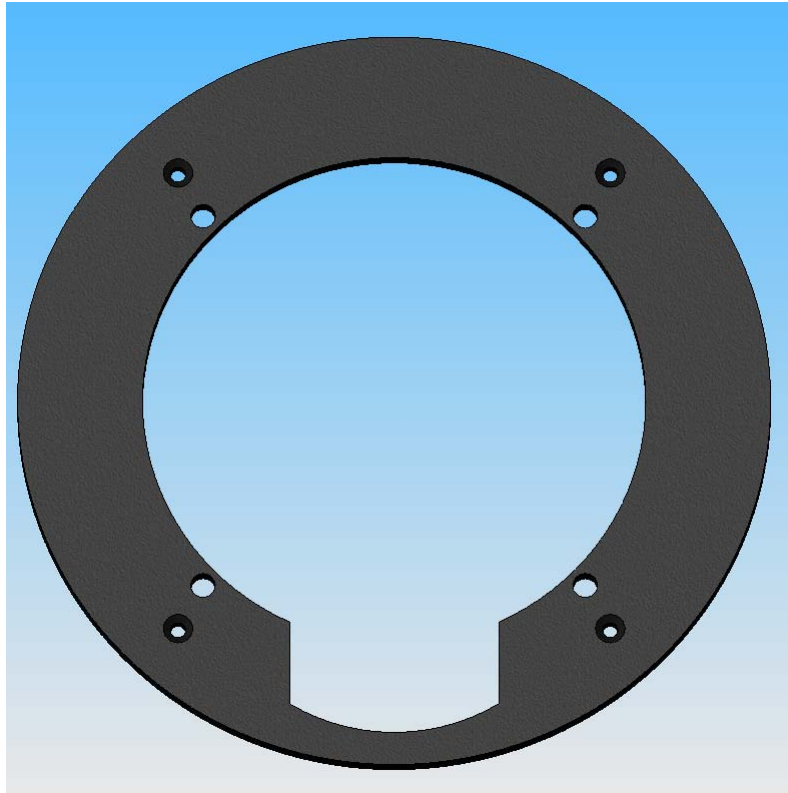


# Bulkhead Adapter Plate

For **RITCHIE** Models SR-2 and SS-PR2

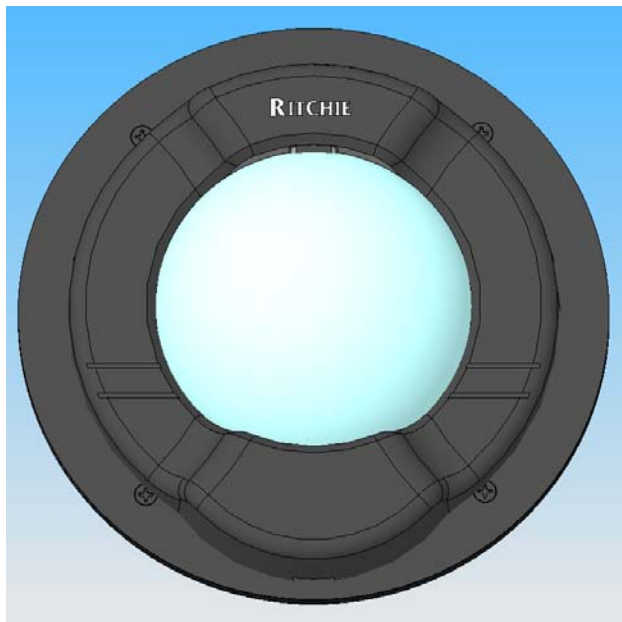
Retrofits the existing mounting hole to replace the Ritchie Helmsman Models HV-76 and HV-77



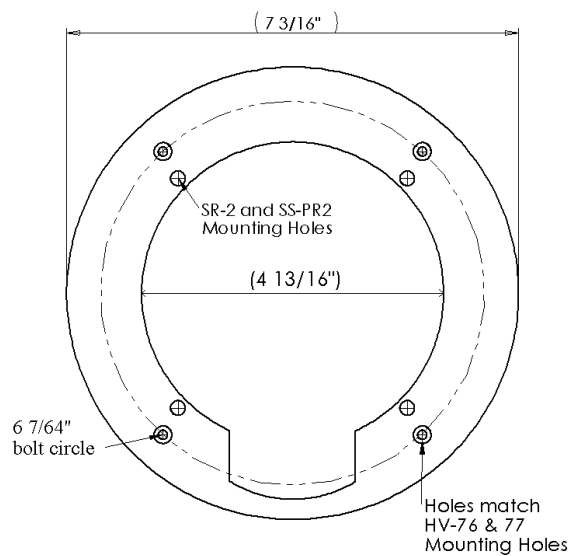
## Notes

Requires 4 non-Magnetic # 6 flat head screws (not included) to mount the Adapter Plate to a Bulkhead.

The SS-PR-2 & SR-2 mounts to the Adapter Plate using hardware supplied with the Compass.



Shown with Ritchie Model SR-2 (not included)



The BK-0034 is available directly from the Factory