



# Jabsco and Rule

COVERING THE WATERFRONT WORLDWIDE

Bilge Pumps, Waste Systems, Water Pressure Systems, Washdown Pumps, Searchlights, Blowers, General Purpose Pumps



# Jabsco and Rule, covering the waterfront worldwide

Reliability. Engineered solutions. Fluid management science. These terms collectively describe the brands of Jabsco and Rule. They represent a legacy of marine innovation that spans almost 90 years, and account for millions of quality marine products sold and used around the globe.

Our history of marine leadership is a result of our dedication to continual development, which is reflected in the fact that our products are specified by the world's best-known boat builders and marine engine manufacturers. Collectively, we boast many industry firsts, including flexible impeller pump technology and oscillating diaphragm pumps.

The first Jabsco pump was designed in California in the 1930s. It introduced the flexible impeller, which is now used in cooling pumps on all small and medium sized marine engines. Today, Jabsco is the leading supplier of fresh water pumps, waste systems and general purpose pumps for marine use, supplying all boat builders worldwide with our products.

Rule submersible bilge pumps have a 50-year history of innovation and quality, and are trusted to keep boats dry and safe in the most arduous conditions. More innovations have come from Rule than any other manufacturer, and we're proud to have the broadest range of bilge pumps available today.

We have a global network of more than 500 distribution partners in 86 countries. So, when choosing your technology provider, select a partner who truly covers the waterfront - worldwide.





# LET'S SHOW THE BILGE WHO'S BOSS

## 900 GPH LOW PROFILE BILGE PUMP

Designed to bring pumping power to tight spaces, Rule's LoPro Bilge Pump can move a mighty 900 gallons per hour.

- Fits into hard-to-reach places
- Fully automatic—three settings available—high, low, fully automatic
- Threaded discharge ports with multiple fittings available
- Includes check valves



## RULE MATE SERIES

Thanks to advanced water-sensing technology, the Rule Mate Series bilge pumps move water automatically and efficiently.

- Robust pump and water-sensing switch in one
- No cycling—turns on only when water reaches 2¾"
- Threaded discharge ports allow for easier installation

## STANDARD BILGE PUMPS

Rule's Standard Series Bilge Pump has the longest life and highest pumping power in the industry, making it the world leader.

- Leading bilge pump in the world
- Simple design, no frills
- Capacity ranges from 360 to 4000 gallons per hour



## ELECTRONIC AUTOMATIC PUMPS

The compact Electronic Automatic Pump checks the water level every few minutes, making a float switch unnecessary.

- Compact automatic pump—no float switch required
- Pumps sense for water every 2½ minutes
- Ideal for tight spaces and trailer boat applications

# 01 Rule Bilge Pumping Systems

## NEW Rule Bilge Pumps



Rule is the world's leading brand for submersible bilge pumps, drawing on 50 years of experience. We are constantly developing new and better solutions to help keep your bilge dry. Our new small bilge pump range provides the ultimate pumping performance, now more efficiently than ever, delivering full rated flow at just 12 volts instead of 13.6.

- Higher Flow - The optimized impeller provides greater flow at the same amperage.
- Built-In Thermal Cut-Off (TCO) - It provides added protection for the pump and vessel.
- Backflow Prevention - The non-return prevents water left in the discharge from running back, keeping bilges dryer and cleaner.
- Air Vents - Built into the body, they help prevent air locking in challenging plumbing installations.
- Ports - Pumps offer a choice of straight or 90 degree ports to suit your installation.

NOMINAL GPH/LPH	MODEL NO.	VOLTS (DC)
360 (1363)	24DA	12
500 (1893)	25DA	12
500 (1893)	25DA-24	24
800 (3028)	20DA	12
800 (3028)	20DA-24	24
1100 (4164)	27DA	12
1100 (4164)	27DA-24	24

## Rule Higher Capacity Bilge Pumps



Our range of higher capacity standard bilge pumps are usually operated via a float switch or another level-sensing device, and give outputs from 1500 GPH (5678 LPH) to 4000 GPH (15141 LPH). Our Gold series pumps come with five-year warranties.

NOMINAL GPH/LPH	MODEL NO.	VOLTS (DC)
1500 (5678)	02	12
1500 (5678)	02-6	12
1500 (5678)	04 (Gold)	12
1500 (5678)	03	24
2000 (7570)	10	12
2000 (7570)	09 (Gold)	12
2000 (7570)	12	24
3700 (14006)	14A	12
3700 (14006)	13A (Gold)	12
3700 (14006)	16A	24
4000 (15141)	56D	12
4000 (15141)	56D-24	24

## Rule Float Switches



A standard bilge pump operates by a control switch that senses water and activates the pump. Rule's Float Switches offer outstanding performance. We use extra-large float chambers for increased buoyancy and detachable mounting bases that make them easier to install and remove for cleaning and inspection. All models are suitable for pumps that draw up to 20 amps, except the Model 35 Rule-A-Matic, which is suitable up to 14 amps.

Rule also produces the ECO-switch, which operates when rising bilge water levels increase air pressure. All switching gear is located outside of the bilge in a sealed, compact unit.

MODEL NO.	MODEL NAME	VOLTS (DC)
35A	Rule-A-Matic	12-24
35FA	Rule-A-Matic with in-line fuser holder	12-24
37A	Super Switch	12-24-32
37FA	Super Switch with in-line fuser holder	12-24-32
40A	Rule-A-Matic Plus with shield	12-24-32
40FA	Rule-A-Matic Plus with shield and in-line fuser holder	12-24-32
39	ECO-switch	12
39-24	ECO-switch	24

## Rule Automatic Bilge Pumps



Our electronic sensing series bilge pumps turn the pump impeller every 2-1/2 minutes for approximately one second. If water is present, the pump will sense resistance and will continue to run until all water is removed. This system is a compact way of constantly sensing for water presence.

NOMINAL GPH/LPH	MODEL NO.	VOLTS (DC)
500 (1893)	25SA-6	12
500 (1893)	25SA-24	24
800 (3028)	20SA	12
1100 (4164)	27SA	12
1100 (4164)	27SA-24	24
1500 (5678)	51S	12
2000 (7571)	53S	12
3700 (14006)	55S	12
4000 (15141)	56S	12



## Rule LoPro Bilge Pumps



LP900S - Automatic



LP900D - Standard

Our latest automatic pump design, the LoPro allows for pumping out of tight spaces and shallower bilges. The LP900S model uses a unique double system for sensing water, to ensure that the pump only ever operates when water is present, and switches off efficiently when it's not. If water is sensed, the pump will spin the impeller as a double check. If water is confirmed, the pump will run to empty the bilges. A second sensing mode is also available, which sets the pump to run at either 1.3" (3.25cm) or 2" (5cm). The pump body rotates to allow discharge in any direction. A selection of straight and 90 degree ports, and a non-return valve for use with straight ports, are supplied. The LP900D model has no sensors and can be operated via a manual switch or a float switch.

NOMINAL GPH/LPH	MODEL NO.	VOLTS (DC)
900 (3407)	LP900S	12
900 (3407)	LP900D	12

## Rule-Mate Automated Bilge Pumps



RM750A



RM1100A



RM1500A



RM2000A

When water enters the bilge and reaches 2-3/4" (7cm), a sensor turns on the pump. After the water is pumped out, another sensor shuts off the pump. The Rule-Mate II series is available in 500, 750, 1100, 1500 and 2000 GPH models. These pumps feature an all-in-one pump and switch, which means no float switch is required. They also include a snap-off strainer for easy cleaning, anti-fouling impeller, and limited three-year warranty. Rule-Mate pumps have been chosen by many of the world's leading boat builders as a compact and reliable bilge system.

NOMINAL GPH/LPH	MODEL NO.	VOLTS (DC)
500 (1893)	RM500A	12
500 (1893)	RM500A-24	24
750 (2839)	RM750A	12
750 (2839)	RM740A-24	24
1100 (4164)	RM1100A	12
1100 (4164)	RM1100A-24	24
1500 (5678)	RM1500A	12
2000 (7571)	RM2000A	12
2000 (7571)	RM2000A-24	24

## 02 Jabsco Self-Priming Bilge Pumps

### Jabsco 50880 Series Bilge Pumps



This single diaphragm pump is ideal for emptying the shallowest of bilges. The 50880 is a reliable, compact pump with a 4.2 GPM (16 LPM) output. Self-priming to 10' (3m), it's capable of extensive dry running. The 50880's filterless design makes it virtually impossible to block and simplifies maintenance. It features multi-position ports, which help simplify installation.

MODEL NO.	VOLTS (DC)
50880-1000	12
50880-1100	24

### Jabsco Maxi Puppy 3000 Series



A high-pressure and high-flow pump for bilge pumping, the Maxi Puppy 3000 is self-priming up to 8' (2.4m), and offers an output of 720 GPH (2725 LPH). It's built to last with a bronze pump head and an oil-resistant nitrile impeller.

MODEL NO.	VOLTS (DC)
23610-3003	12
23610-3103	24



# 03 Jabsco Manual Bilge Pumps

## Jabsco Amazon Warrior



Designed for larger craft, the Warrior is capable of an amazing output of 35 GPM (132 LPM). Its big, 18" (45cm) handle makes pumping easy, whether mounted on or through the deck. Built from a robust alloy, it features twin diaphragms for added safety, and includes 1-1/2" (38mm) hose ports.

MODEL NO.	DESCRIPTION
29280-0000	Warrior heavy-duty hand pump
29279-0000	Optional through-deck kit
29289-0000	Under-deck bracket (required for installation with 29279-0000)

## Jabsco Amazon Universal



Jabsco's most versatile manual bilge pump, the Universal can be mounted on or through the bulkhead or deck. Designed for larger and medium sized boats with a flow rate of up to 25 GPM (95 LPM), it's equally good at emptying holding tanks and easily handles solids.

MODEL NO.	DESCRIPTION
29270-0000	Universal 1-1/2" (38mm) hose
29279-0000	Optional through-deck kit

## Jabsco Amazon Thrudeck



The Thrudeck's design offers unlimited options for port direction, and allows easy access to the pump chamber and valves. It comes with a choice of a 1" (25mm) port that provides a 13 GPM (50 LPM) output, or a 1-1/2" (38mm) port that provides an output up to 20 GPM (75 LPM).

MODEL NO.	DESCRIPTION
29250-0000	Universal pump with detachable handle with 1" ports
29250-0010	Universal pump with detachable handle with 1-1/2" ports

## Jabsco Amazon Bulkhead



The most compact pump in the Amazon range, the Bulkhead is designed specifically for smaller boats, yet still provides a powerful output of 12 GPM (45 LPM). Suitable for mounting on a bulkhead or deck, its multi-position ports and body configuration offer an amazing 96 assembly variations. It features a 1" (25mm) discharge.

MODEL NO.	DESCRIPTION
29240-0000	Bulkhead pump with detachable handle



## 04 Bilge Pumping Accessories

### Jabsco Bilge Pumpgard™ Strainers



The Pumpgard™ protects electric diaphragm bilge pumps from particles in the water. Its transparent housing allows instant inspection and quick, in-place cleaning.

MODEL NO.	DESCRIPTION
46200-0000	3/4" (19mm) ID hose
46200-0010	3/4" (19mm) ID hose x plug-in 90°

### Jabsco Amazon Bilge Strainers



Jabsco Amazon Bilge Strainers keep bilge debris from blocking the pump. Non-return valves prevent the backflow of water into the bilge. Outlet ports can be positioned from horizontal to vertical. Strainers are available for 3/4", 1" and 1-1/2" (19mm, 25mm and 38mm) hoses.

MODEL NO.	DESCRIPTION
29290-1020	3/4" (19mm) hose
29290-1000	1" (25mm) hose
29290-1010	1-1/2" (38mm) hose

### Jabsco Non-Return Valves



Jabsco Non-Return Valves help priming, and prevent backflow of water into the bilge. Three sizes are available, for 3/4", 1" and 1-1/2" (19mm, 25mm and 38mm) hoses.

MODEL NO.	DESCRIPTION
29295-1011	3/4" (19mm) hose
29295-1000	1" (25mm) hose
29295-1010	1-1/2" (38mm) hose

## Rule Panel Switches



45

41, 42

43, 44

49

These panels control pumps equipped with an automatic float switch or a float switch/pump combo. Models 41 through 45 have three switch positions: automatic, off and manual. Model 49 is a simple, classic-looking on/off switch. Models 41, 42, 45, and 49 are enamel-coated stainless steel. Models 43 and 44 are made from an impact-resistant, UV-stabilized plastic.

MODEL NO.	DESCRIPTION	VOLTS (DC)	MAX AMPS (DC)
41	3-way panel switch - lighted	12	20
42	3-way panel switch - lighted	24-32	10 (24V), 6.5 (32V)
45	3-way panel switch	12-24-32	20 (12V), 10 (24V), 6.5 (32V)
43	3-way rocker panel switch - lighted	12	20
44	3-way rocker panel switch - lighted	24	10
49	2-way panel switch	12-24-32	20 (12V), 10 (24V), 6.5 (32V)



# 05 Jabsco Water Pressure Systems

Jabsco PAR-Max Series Water Pressure Pumps are simple, quiet, easy to maintain, and provide hot or cold water at the turn of a tap. They're also versatile enough to produce a full flow or a trickle, according to need. These diaphragm pumps provide smooth flow with good pressure. Simply choose a model suitable for the number of outlets on your boat.

**FLOW RATES ARE GIVEN FOR EACH PUMP, WITH AN INDICATION OF THE NUMBER OF OUTLETS IT CAN SERVE.**

1 (hot or cold) FAUCET = 1 outlet

1 (hot and cold) MIXER = 2 outlets

## Jabsco PAR-Max 1 Water Pressure Pumps



Our smallest pump, the PAR-Max 1 is designed for smaller day boats. It's available with or without an elegant faucet.

MODEL NAME	MODEL NO.	OUTLETS	VOLTS (DC)	PRESSURE CUTOFF
PAR-Max 1	42630-2992-P	1-2	12	35 psi (2.4 bar)
PAR-Max 1	42630-2994-P	1-2	24	35 psi (2.4 bar)
PAR-Max 1 with faucet*	42630-3992-P	1-2	12	35 psi (2.4 bar)
PAR-Max 1 with faucet*	42630-3994-P	1-2	24	35 psi (2.4 bar)

\*Kit includes pump, faucet and 20' (6.1m) of 1/4" (6.3mm) tubing.

## Jabsco PAR-Max 1.9 Water Pressure Pumps



The PAR-Max 1.9 is suitable for smaller boats with one or two outlets, producing 1.9 GPM (7.2 LPM). It's supplied with a built-in pulsation-dampening bypass to reduce cycling and noise; this provides the option of omitting an accumulator tank on simple installations.

MODEL NO.	OUTLETS	VOLTS (DC)	PRESSURE CUTOFF
31295-0092	1-2	12	25 psi (1.7 bar)
31295-0094	1-2	24	25 psi (1.7 bar)

## Jabsco PAR-Max 2.9 Water Pressure Pumps



The PAR-Max 2.9 is suitable for one to three outlets, offering 2.9 GPM (10.9 LPM). It has the same bypass feature as the PAR-Max 1.9, allowing it to be used without an accumulator tank if desired.

MODEL NO.	OUTLETS	VOLTS (DC)	PRESSURE CUT OFF
31395-0092	1-3	12	25 psi (1.7 bar)
31395-0094	1-3	24	25 psi (1.7 bar)



## Jabsco PAR-Max 3.5 Water Pressure Pumps



The PAR-Max 3.5 pump produces 3.5 GPM (13.2 LPM). It's suitable for complex installations on larger boats with up to four outlets, and has a heavier-duty motor for longer life.

MODEL NO.	OUTLETS	VOLTS (DC)	PRESSURE CUTOFF
32600-0092	1-4	12	40 psi (2.8 bar)
32600-0094	1-4	24	40 psi (2.8 bar)
32600-0292	1-4	12	25 psi (1.7 bar)
32600-0294	1-4	24	25 psi (1.7 bar)

## Jabsco PAR-Max 4 Water Pressure Pumps



The large PAR-Max 4 has a pulsation-free, four chamber diaphragm design, and flow rates of up to 4.5 GPM (17 LPM) for up to five outlets.

MODEL NO.	OUTLETS	VOLTS (DC)	PRESSURE CUTOFF
31620-0092	1-5	12	40 psi (2.8 bar)
31620-0094	1-5	24	40 psi (2.8 bar)
31620-0292	1-5	12	25 psi (1.7 bar)
31620-0294	1-5	24	25 psi (1.7 bar)

## Jabsco Water Pressure Regulators



44412-1045



44412-2045



44411-0045

This device protects your boat's water system by limiting the inlet pressure to 45 psi (3.1 bar). It's available in two styles. The permanently installed flush mount model has a unique swivel elbow output. The compact in-line model is only 3" (77mm) long and has a removable strainer to protect the plumbing. Both are manufactured using food-grade materials and incorporate GHT fittings for potable garden hose connections.

MODEL NO.	DESCRIPTION
44411-0045	In-line, white, 3/4" (19mm) GHT male outlet, strainer not included
44412-1045	Flush, white, 1/2" (13mm) female quad port, strainer included
44412-2045	Flush, chrome, 1/2" (13mm) female quad port, strainer included

## Jabsco PAR Plus Water System Pumps



Our latest design, the PAR Plus series is available with three flow rates: from 4, 5 and 6 GPM (15, 19 and 23 LPM). It was designed with mid-sized to larger boats in mind. It provides a smooth flow, quieter running, and a longer life due to its sealed switch design and co-molded diaphragm, which eliminate leak paths.

### 4 GPM (15 LPM) WATER PRESSURE SYSTEM PUMPS

MODEL NO.	OUTLETS	VOLTS (DC)	PRESSURE CUTOFF
82400-0092	1-4	12	60 psi (4.1 bar)
82400-0094	1-4	24	60 psi (4.1 bar)
82400-0292	1-4	12	40 psi (2.8 bar)
82400-0294	1-4	24	40 psi (2.8 bar)
82400-0392	1-4	12	25 psi (1.7 bar)
82400-0394	1-4	24	25 psi (1.7 bar)

### 5 GPM (19 LPM) WATER PRESSURE SYSTEM PUMPS

MODEL NO.	OUTLETS	VOLTS (DC)	PRESSURE CUTOFF
82500-0092	1-5	12	60 psi (4.1 bar)
82500-0094	1-5	24	60 psi (4.1 bar)
82500-0292	1-5	12	40 psi (2.8 bar)
82500-0294	1-5	24	40 psi (2.8 bar)
82500-0392	1-5	12	25 psi (1.7 bar)
82500-0394	1-5	24	25 psi (1.7 bar)

### 6 GPM (23 LPM) WATER PRESSURE SYSTEM PUMPS

MODEL NO.	OUTLETS	VOLTS (DC)	PRESSURE CUTOFF
82600-0092	1-6	12	60 psi (4.1 bar)
82600-0094	1-6	24	60 psi (4.1 bar)
82600-0292	1-6	12	40 psi (2.8 bar)
82600-0294	1-6	24	40 psi (2.8 bar)
82600-0392	1-6	12	25 psi (1.7 bar)
82600-0394	1-6	24	25 psi (1.7 bar)



# 06 Jabsco Variable Speed Drive Water & Stack Pressure Systems

## Jabsco V-Flo 5.0 Constant Flow Water Pressure Pump



This variable flow, constant water pressure pump features technology to make your on-board water experience the same as you would expect on land. Capable of a flow rate up to 5.0 GPM (19 LPM), V-Flo is powered by a variable speed drive that delivers constant, consistent water pressure on demand. This enables pump startup and shut-off to be gradual, meaning no water hammer to shock your pipes or ears. It also reduces power consumption, making the motor super quiet at normal demand levels. It's revolutionary, providing the sophisticated performance that boat owners increasingly demand.

MODEL NO.	OUTLETS	VOLTS (DC)	PRESSURE CUTOFF
42755-0092	1-5	12	40 psi (2.8 bar)
42755-0094	1-5	24	40 psi (2.8 bar)
42755-0392	1-5	12	25 psi (1.7 bar)
42755-0394	1-5	24	25 psi (1.7 bar)

## Jabsco Single and Double Stack Water Systems



5.8 GPM Model



4.8 GPM Model

Each of these fully assembled, easy-to-install water pressure systems uses either single or double PAR-Max 4 pumps, a strainer and a pre-pressurized accumulator tank. That means all the system connection work is done for you in one neat and easily accessible package. The Single Stack provides flow rates up to 4.8 GPM (18 LPM). There are two Double Stack Systems that provide variable flow rates up to 5.8 GPM (22 LPM) or 9 GPM (34 LPM). In heavy-demand situations on larger boats, the twin pump systems provide added security; should one pump fail, the second will continue to operate.

MODEL	MODEL NO.	OUTLETS	VOLTS (DC)	PRESSURE CUTOFF
Single Stack System 4.8	52520-1000	1-4	12	40 psi (2.8 bar)
Double Stack System 5.8	52530-3000	1-5	12	40 psi (2.8 bar)
Double Stack System 5.8	52530-3100	1-5	24	40 psi (2.8 bar)
Double Stack System 9	52530-1000	1-7	12	40 psi (2.8 bar)
Double Stack System 9	52530-1100	1-7	24	40 psi (2.8 bar)



# 07 Jabsco Water Pressure System Accessories

## Jabsco Pressurized Accumulator Tanks



30573-0003



30573-0000



18810-0000 (US)



23240-2000 (EU)

Available in 21 ounce (0.5 liter), 1 quart (1 liter) and 2 gallon (8 liter) sizes, each Jabsco Accumulator Tank holds a reservoir of air and water that acts as a cushion, smoothing the water flow and keeping the system quiet. This allows the pump to reduce the on/off cycle, and offers better control of the hot and cold water pressure balance.

MODEL NO.	CAPACITY	MAX. PRESSURE
30573-0003	21 oz (0.5L)	125 psi (8.6 bar)
30573-0000	1 qt (1L)	125 psi (8.6 bar)
18810-0000 (US)	1.8 gal (6.8L)	75 psi (5.2 bar)
23240-2000 (EU)	2 gal (8L)	140 psi (10 bar)

## Jabsco Water System Pumpgard™ Strainers



46400-0030



46400-0014



46400-0010



46400-0012



46400-0004



46400-0000



46400-0003

These compact pre-filters prevent particles from jamming valves and causing pump breakdowns. Each one features a screw-off, transparent housing for easy inspection and quick, in-place cleaning.

MODEL NO.	DESCRIPTION
46400-0000	3/4" (19mm) hose barb inlet, 3/4" (19mm) hose barb outlet
46400-0002	1/2" (13mm) hose barb inlet, 1/2" (13mm) hose barb outlet
46400-0003	3/8" (10mm) hose barb inlet, 3/8" (10mm) hose barb outlet
46400-0004	1/2" (13mm) QEST (threaded) port male inlet, 1/2" (13mm) QEST port male outlet
46400-0010	90° strainer, 3/4" (19mm) hose barb inlet, quad port male outlet
46400-0012	90° strainer, 1/2" (13mm) hose barb inlet, quad port male outlet
46400-0014	90° strainer, 1/2" (13mm) QEST (threaded) port female inlet, quad port male outlet
46400-0030	Quad port female inlet, quad port male outlet, compact version
46400-0375	3/8" (10mm) NPT female port inlet, 3/8" (10mm) NPT female port outlet
46400-0701	Large in-line strainer (6 GPM/23 LPM), quad port female inlet, quad port female outlet
46400-0711	Large 90° strainer (6 GPM/23 LPM), quad port female inlet, quad port male outlet
46400-0712	Large 90° strainer (6 GPM/23 LPM), 1/2" (13mm) hose barb inlet, quad port male outlet
46400-9500	90° strainer, quad port female inlet, quad port male outlet

## 08 Jabsco Toilet Systems

Jabsco is the world's largest manufacturer of small craft marine toilets, so we have a fair amount of experience in waste system design and installation.

Our latest manual toilets are easy to service, simple to use, and offer terrific value for the money. Two bowl sizes are available; all but only the smallest of head compartments have sufficient room for the regular bowl. Manual toilets can be upgraded to full electric operation using one of our conversion kits, or simply by installing the Lite Flush toilet, which is designed to fit existing mounting bolts and inlet and outlet pipework.

Our range of electric toilets go from simple designs with narrow bases, to sophisticated Deluxe Flush models with one-touch controls, near-silent operation, and short or long flushes. Discharging waste overboard is illegal or unacceptable in many areas, so we also supply a range of holding tanks and tank emptying systems that make installation simple.

*All models are supplied with a standard close seat and lid, unless the optional soft close seat part number is specified.*

### Jabsco Twist 'n' Lock Manual Toilets



29040-3000  
(Pump assembly only)

The world's most popular marine toilet, Jabsco's sturdy manual model ensures protection against waste backflow with an easy turn of the Twist 'n' Lock pump handle. Reversible pump mounting allows left-handed operation. Available with a regular or compact bowl, and designed to be easy to install, use and keep clean, this super reliable unit is the boat builder's toilet of choice.

MODEL NO.	DESCRIPTION
29090-5000	Compact bowl
29120-5000	Regular bowl
29120-5100	Regular bowl (soft close seat)

### Jabsco Lite Flush Electric Toilets – Upgrade your manual toilet to electric



Designed to instantly retrofit your existing Jabsco Manual Toilet, this compact and lightweight unit will give your bathroom quiet and efficient flushing performance and a modern, stylish look. Featuring low water usage and low power consumption, the Lite Flush Toilet is available with either a foot switch (left or right fitted) or a wall-mounted control panel. Lite Flush uses all your existing pipework and mounting bolts; all you need to add is power.

MODEL NO.	DESCRIPTION
58500-0012	Foot switch, 12V
58500-0024	Foot switch, 24V
58500-1012	Control panel, 12V
58500-1024	Control panel, 24V

# 09 Jabsco Electric Conversion Kits

## Jabsco 29200 Electric Conversion Kit for Manual Toilets



This simple-to-install kit replaces the pump on a Jabsco Manual Toilet with an electric pump, using the same hose. It comes ready to fit directly in place of the existing pump. Its spring return knob has two positions, one for bowl emptying and the other for emptying and flushing.

MODEL NO.	VOLTS (DC)
29200-0120	12
29200-0240	24

## Jabsco 37010 Conversion Kit



This conversion kit upgrades a manual toilet to a Jabsco 37010 Electric Toilet using the existing bowl. It's designed to fit a Jabsco Manual Toilet, as well as many competitors' models.

MODEL NO.	DESCRIPTION
37010-0092	Conversion kit, 12V
37010-0097	Conversion kit, 24V

**JABSCO**  
a xylem brand

**ANSWER  
NATURE'S CALL  
WHILE  
AT SEA.**

From manual marine toilets to luxury models, everyone trusts Jabsco.

xylem  
Let's Solve Water



# 10 Jabsco Electric Toilets

## Jabsco Quiet Flush Electric Toilets



The Quiet Flush was designed to reduce noise levels when flushing. A three-way switch allows operation of the flush pump, the discharge pump or both, allowing the water level to be adjusted for user comfort. These toilets are available in regular or compact bowl sizes, and in two models: one has an intake pump for external water flushing, while the other has a special solenoid valve and siphon breaker to prevent contamination if the system is connected to a drinking water pressure pump.

MODEL NO.	DESCRIPTION
37045-3092	Compact bowl with solenoid valve, 12V
37045-3094	Compact bowl with solenoid valve, 24V
37045-4092	Regular bowl with solenoid valve, 12V (37045-4192 soft close seat)
37045-4094	Regular bowl with solenoid valve, 24V (37045-4194 soft close seat)
37245-3092	Compact bowl with intake pump, 12V
37245-3094	Compact bowl with intake pump, 24V
37245-4092	Regular bowl with intake pump, 12V (37245-4192 soft close seat)
37245-4094	Regular bowl with intake pump, 24V (37245-4194 soft close seat)

## Jabsco 37010 Series Economy Electric Toilets



This traditional-style electric toilet is self-priming up to 4' (1.2m), and can discharge through a maximum vertical head of 4' (1.2m). It comes complete with a molded splashguard and a simple switch. 37010 Series Toilets are available with compact and regular size bowls.

MODEL NO.	DESCRIPTION
37010-3092	Compact bowl, 12V
37010-3094	Compact bowl, 24V
37010-4092	Regular bowl, 12V (37010-4192 soft close seat)
37010-4094	Regular bowl, 24V (37010-4194 soft close seat)

## Jabsco Deluxe Flush Electric Toilets



This is real at-home luxury. The stylish and comfortable design of the Deluxe Flush Toilet conceals the flush pump, wiring and plumbing in wraparound ceramic, and all models feature a full-size seat. Two bowl heights (14" and 17") are available in either straight or slant back. The Deluxe Flush uses as little as 1 quart (1 liter) of water per flush; its one-touch control pad provides short or long flush options and the ability to adjust the bowl's water level. It also offers the choice between flushing with fresh water from the boat's system (a solenoid valve), or sea, river or lake water (an intake pump). Using the boat's water system eliminates the potential for dirty external water to enter the toilet bowl during flushing.

MODEL NO.	DESCRIPTION
58060-1012	14" (36cm) slanted-back bowl with solenoid valve, 12V
58060-1024	14" (36cm) slanted-back bowl with solenoid valve, 24V
58260-1012	14" (36cm) slanted-back bowl with intake pump, 12V
58260-1024	14" (36cm) slanted-back bowl with intake pump, 24V
58080-1012	14" (36cm) straight-back bowl with solenoid valve, 12V
58080-1024	14" (36cm) straight-back bowl with solenoid valve, 24V
58280-1012	14" (36cm) straight-back bowl with intake pump, 12V
58280-1024	14" (36cm) straight-back bowl with intake pump, 24V
58020-1012	17" (44cm) slanted-back bowl with solenoid valve, 12V
58020-1024	17" (44cm) slanted-back bowl with solenoid valve, 24V
58220-1012	17" (44cm) slanted-back bowl with intake pump, 12V
58220-1024	17" (44cm) slanted-back bowl with intake pump, 24V
58040-2012	17" (44cm) vertical-back bowl with solenoid valve, 12V (58040-3012 soft close seat)
58040-2024	17" (44cm) vertical-back bowl with solenoid valve, 24V (58040-3024 soft close seat)
58240-2012	17" (44cm) vertical-back bowl with rinse pump, 12V (58240-3012 soft close seat)
58240-2024	17" (44cm) vertical-back bowl with rinse pump, 24V (58240-3024 soft close seat)



# 11 Jabsco Toilet System Accessories

## Jabsco Run-Dry Macerator Waste Pumps



This waste tank-emptying macerator pump grinds solids into small particles that easily pass through the 1" (25mm) discharge port. The Jabsco Macerator is equipped with a protection device that eliminates accidental run dry.

MODEL NO.	VOLTS (DC)	DESCRIPTION
18590-2092	12	1-1/2" (38mm) hose barb and 1-1/2" (38mm) NPT intake
18590-2094	24	

## Jabsco Diaphragm Waste Pump



This super quiet and compact pump has a straight-through waste path that easily passes solids in suspension, making it the ideal solution for emptying holding tanks. Self-priming up to 10' (3m) and capable of extensive dry running, it provides a 5 GPM (19 LPM) output.

MODEL NO.	VOLTS (DC)	DESCRIPTION
50890-1000	12	1-1/2" (38mm) hose barb intake and discharge
50890-1100	24	

## Jabsco Waste Management System



This is an easy-to-install, all-inclusive system consisting of a compact polyethylene holding tank and an integral Run-Dry Macerator Pump. It has a touchpad control panel to monitor waste levels; when required, the user can activate the macerator pump to evacuate waste.

MODEL NO.	VOLTS (DC)
38110-0092	12

## Jabsco Toilet Pumpgard™



The Pumpgard™ inlet strainer guards manual or electric toilets from pump malfunctions caused by debris. It has connections for a 3/4" (19mm) hose.

MODEL NO.	DESCRIPTION
46400-0000	Toilet Pumpgard



## Jabsco Solenoid Valves for 37010 Electric Toilet



This valve is essential for 37010 Electric Toilets fitted with a vented loop on the inlet pipework, which can restrict priming and flow. The solenoid valve is controlled by the toilet operation switch, providing full performance.

MODEL NO.	DESCRIPTION
37068-2000	Solenoid valve for 37010 Electric Toilets
(For use with: 29015-0000 3/4" (19mm) Vented Loop)	

## Jabsco Vented Loops



Vented loops guard against the danger of water siphoning over pipework loops in below-the-waterline installations of toilets and bilge pumps. They should be installed in both inlet and outlet pipework.

MODEL NO.	DESCRIPTION
29015-0000	3/4" (19mm) model
29015-0020	1" (25mm) model
29015-0010	1-1/2" (38mm) model

## Jabsco Y-Valve



This robust valve allows waste to be pumped directly overboard or into a holding tank. Rotating discharge ports simplify installation. Both 1" (25mm) and 1-1/2" (38mm) inlet ports are included. The Y-Valve can be operated through a bulkhead using the optional shaft extension.

MODEL NO.	DESCRIPTION
45490-1000	Y-Valve
45500-1000	Extension for through-bulkhead operation

# 12 General Purpose Pumps

## Rule Slimline Series Submersible Pumps



This family of compact pumps and portable pump kits is designed for a wide variety of uses, both onboard and ashore. Each pump is a combination of a submersible and an in-line pump, and can deliver hot or cold fresh water, seawater, antifreeze and even diesel. Slimline Pumps can be used for deck showers, general washdown, water or diesel transfer, engine winterizing and more.

MODEL NO.	DESCRIPTION
iL200	12V DC, pump
iL200K	12V DC, pump kit complete with hose, nozzle and battery clips
iL200P	12V DC, pump
iL200P-24	24V DC, pump
iL280P	12V DC, pump complete with battery clips
iL280P-24	24V DC, pump complete with battery clips
iL280PK	12V DC, pump kit complete with hose, nozzle and battery clips
iL280PK-24	24V DC, pump kit complete with hose, nozzle and battery clips
iL500P	12V DC, pump complete with battery clips
iL500P-24	24V DC, pump complete with battery clips
iL500PK	12V DC, pump kit complete with hose, nozzle and battery clips
iL500PK-24	24V DC, pump kit complete with hose, nozzle and battery clips

## Rule Utility 110 Volt Series Submersible Pumps



This pump's versatile design makes it ideal for removing accumulated water from basements, garages, stairwells, utility rooms, backyards, sumps and other hard-to-reach spaces. It features a powerful 1800 GPH motor that only consumes 100 watts while delivering up to 1800 gallons per hour. Automatic and non-automatic versions are available, both utilizing standard 110-volt AC current.

MODEL NO.	DESCRIPTION
A53S	Automatic, 1800 GPH (6814 LPH), 8' (2.4m) cord*
A53S-24	Automatic, 1800 GPH (6814 LPH), 24' (7.3m) cord*
A53D	Standard 1800 GPH (6814 LPH), 8' (2.4m) cord*

\*Garden hose and rigid pipe adapters included.

## Jabsco Commercial Duty Water Puppy



9 GPM (34 LPM)

This workhorse is designed for general transfer duty. Self-priming up to 8' (2.4m), it has an output of 540 GPH (2044 LPH).

MODEL NO.	VOLTS (DC)
18670-0123	12 (not for sale in Europe)
18670-0943	24 (not for sale in Europe)
23680-4003	12 (European model)
23680-4103	24 (European model)

# 13 Jabsco Washdown Pumps & Kits

## Jabsco PAR-Max 3 and 4 Washdown Pumps

Included



Designed for cleaning decks, cockpits, and anchors on yachts in a range of sizes, this full line of pumps provides 3 GPM (11 LPM) and up to 50 psi (3.5 bar) pressure. That's sufficient power to blast decks and anchor lines clean. Suitable for sea or fresh water, each one comes with an intake strainer, a spray nozzle and quick-connect 3/4" hose barb fittings. Some models are also supplied with a length of hose coil.

### PAR-MAX 3.0 GPM (11 LPM)

MODEL NO.	DESCRIPTION
32305-0092	12V, supplied with strainer and nozzle, US only
32305-0094	24V, supplied with strainer and nozzle, US only
32305-0392	12V, supplied with strainer and nozzle
32305-0394	24V, supplied with strainer and nozzle
32901-0092	12V, supplied with strainer, nozzle and 25' (7.6m) hose coil
32901-0094	24V, supplied with strainer, nozzle and 25' (7.6m) hose coil

### PAR-MAX 4.0 GPM (15 LPM)

MODEL NO.	DESCRIPTION
32605-0092	12V, supplied with strainer and nozzle, US only
32605-0094	24V, supplied with strainer and nozzle, US only
32605-0392	12V, supplied with strainer and nozzle
32605-0394	24V, supplied with strainer and nozzle
32900-0092	12V, supplied with strainer, nozzle and 25' (7.6m) hose coil
32900-0094	24V, supplied with strainer, nozzle and 25' (7.6m) hose coil





## Jabsco HotShot Series Washdown Pumps and Kits



These washdown pumps supply a massive 70 psi (4.8 bar) of pressure for ultra-effective deck and anchor cleaning, and offer three flow rates: 4 GPM (15 LPM), 5 GPM (19 LPM) and 6 GPM (23 LPM). All models are supplied with Pumpgard™ strainers and trigger nozzles. Some models are available with a 25' (7.6m) length of self-coiling hose. These models have sealed switches and co-molded diaphragms for up to 50 percent longer working life.

### 4.0 HOTSHOT SERIES: FLOW RATE UP TO 4.0 GPM (15 LPM)

MODEL NO.	DESCRIPTION
82405-0092	12V, supplied with strainer and nozzle
82405-0094	24V, supplied with strainer and nozzle
82904-0092	12V, supplied with strainer, nozzle and 25' (7.6m) hose coil
82904-0094	24V, supplied with strainer, nozzle and 25' (7.6m) hose coil

### 5.0 HOTSHOT SERIES: FLOW RATE UP TO 5.0 GPM (19 LPM)

MODEL NO.	DESCRIPTION
82505-0092	12V, supplied with strainer and nozzle
82505-0094	24V, supplied with strainer and nozzle
82905-0092	12V, supplied with strainer, nozzle and 25' (7.6m) hose coil
82905-0094	24V, supplied with strainer, nozzle and 25' (7.6m) hose coil

### 6.0 HOTSHOT SERIES: FLOW RATE UP TO 6.0 GPM (23 LPM)

MODEL NO.	DESCRIPTION
82605-0092	12V, supplied with strainer and nozzle
82605-0094	24V, supplied with strainer and nozzle
82906-0092	12V, supplied with strainer, nozzle and 25' (7.6m) hose coil
82906-0094	24V, supplied with strainer, nozzle and 25' (7.6m) hose coil

## Jabsco Quick Connect Deck Nozzles for Washdown Systems



This quick-release, flush-fitting nozzle will quickly connect a Jabsco hose coil and trigger nozzle to the through-deck fitting of a pump and hose installed below decks. Connection and disconnection can be made under pressure, thanks to positive bayonet locks. Quick Connect Deck Nozzles are made of marine-grade stainless steel.

MODEL NO.	DESCRIPTION
31911-0000	Straight quick connector and hose connection 1/2" NPT to 3/4" garden hose thread (GHT) for US use
31911-0001	Angled quick connector and hose connection 1/2" NPT to 3/4" garden hose thread (GHT) for US use
31911-0007	Straight quick connector and hose connection 1/2" (13mm) BSP to 3/4" garden hose thread (GHT) for EU use

# 14 Jabsco & Rule General Purpose Pumps

## Jabsco 50880 Sink and Shower Drain Pumps



A new generation single diaphragm pump, the 50880 makes installation simple, thanks to its compact size and multi-position ports. It has a 254 GPH (960 LPH) output, it's self-priming to 10' (3m), and it can handle extensive dry running. Its filterless design is virtually unblockable and makes maintenance easy.

MODEL NO.	VOLTS (DC)	DESCRIPTION
50880-1000	12	3/4" (19mm) and 1" (25mm) hose barb intake and discharge
50880-1100	24	

## Rule Shower Drain Systems



This compact, full-capacity shower drain system provides either 800 GPH (3028 LPH) or 1100 GPH (4164 LPH) of output. Activated by a float switch, it turns on as the tank fills and shuts off when it's empty. It has three inlet ports that offer varying combinations for the inlet hose, as well as a quick-release tank lid and an easy-clean internal strainer.

MODEL NO.	DESCRIPTION	VOLTS (DC)
98B	800 GPH (3028 LPH) shower drain system	12
98B-24	800 GPH (3028 LPH) shower drain system	24
99B	1100 GPH (4164 LPH) shower drain system	12
99B-24	1100 GPH (4164 LPH) shower drain system	24

## Jabsco Diesel Refueling Pumps



9 GPM (35 LPM)



13 GPM (50 LPM)



26 GPM (100 LPM)

These rugged Jabsco units range in pumping capacity from a reliable 9 GPM (35 LPM) to a mighty 26 GPM (100 LPM). All three are rated for continuous operation, and are widely used in the demanding off-road construction sector, so reliability is assured.

### 9 GPM (35 LPM) DIESEL REFUELING PUMP

MODEL NO.	VOLTS (DC)
23870-1200	12
23870-1300	24

### 13 GPM (50 LPM) DIESEL REFUELING PUMP

MODEL NO.	VOLTS (DC)
VR050-1022	12
VR050-1122	24

### 26 GPM (100 LPM) DIESEL REFUELING PUMP

MODEL NO.	VOLTS (DC)
VR100-1122	24

# 15 Oil Change Pumps & Systems

## Jabsco Little Pal and Handy Boy Manual Utility Pumps



34060-0010  
Little Pal



33799-0000  
Handy Boy

These compact brass hand pumps are designed to drain oil from engines and gearboxes. The Little Pal produces up to 1 GPM (4 LPM) output, while the Handy Boy gives up to 1.5 GPM (6 LPM). Both come equipped with hoses, connectors, and dipstick probes for various requirements.

MODEL NO.	HOSE PORT	LENGTH
34060-0010	1/2" hose barb	10.25"
34060-0130	GHT inlet x 1/2" hose barb	10.25"
33799-0000	1/2" hose barb	12"
33760-0000	1/2" hose barb	17"
33745-0000	1" hose barb	22.5"

## Jabsco Mini Puppy



1.4 GPM (5.3 LPM)

Designed for permanent, onboard installation, the Mini Puppy will empty oil sumps into a suitable container. With up to 1.4 GPM (5.3 LPM) output, it's self-priming up to 5' (1.5m), and it's simple to service.

MODEL NO.	VOLTS (DC)
23620-4003	12
23620-4103	24

## Jabsco Oil Change Pump



3 GPM (11.3 LPM)

This powerful, stand-alone pump can service a typical V8 engine in just minutes. It's the same high-quality pump used in the Jabsco multi-engine Oil Changer System.

MODEL NO.	VOLTS (DC)
17830-0012	12
17830-0024	24

## Jabsco Permanent Mount Oil Changer System



This system consists of a robust, self-priming flexible impeller pump mounted to an easy-to-install base, and coupled to a five-port manifold. Factory-fitted with three full-flow ball valves, it allows one system to perform oil changes on two engines and a generator.

MODEL NO.	VOLTS (DC)
17820-0012	12
17820-0024	24



# 16 Jabsco Oil Change Systems

## Jabsco Porta-Quick



The ultimate answer to hassle-free oil changing, this robust reversible pump comes ready for use. It's mounted on a 3.5 gallon (13 liter) container and supplied with cables, battery clips and hoses. Operating the Porta-Quick one way empties the oil into the container; flipping the pump switch the other way empties the container into a suitable receptacle. It's self-priming up to 4' (1.2m).

MODEL NO.	VOLTS (DC)
17800-2000	12 (non CE)
17800-2024	24

## Jabsco DIY Oil Changer



This simple unit performs quick and easy oil changes for the leisure boat owner.

MODEL NO.	VOLTS (DC)
17850-1012	12

## Jabsco Flat Tank Oil Changer System



The 3.5 gallon (13 liter) flat tank design of this system makes for a clean and simple oil change on any boat. It allows trouble-free disposal, thanks to the stable, easy-to-carry design.

MODEL NO.	VOLTS (DC)
17860-2012	12

## Jabsco Drill Pumps



These pumps provide versatile utility. They can transfer fluid almost anywhere that an electric drill with 1/4" to 3/8" chuck can be used.

MODEL NO.	DESCRIPTION
17250-0003	Pump (boxed) with two garden hose thread port adapters
17215-0000	Pump (poly bagged with header card) with garden hose port adapters and 1/4" x 40" probe plus 3' of 1/2" hose for changing oil through a dipstick tube

# 17 Jabsco Ballast Pumps

## Jabsco Ballast Puppy



Without a doubt, this is the most popular wakeboard ballast pump in history. Its success is for good reason; the reversible design simplifies installation and reduces the number of components required. Its track record proves that it's a fast, efficient, reliable performer. With a flow rate of 9 GPM (34 LPM), it can quickly add up to 80 pounds (40 kgs) of water per minute to ballast tank systems. The Ballast Puppy is reversible, so it can both fill and empty ballast tanks. It's self-priming and therefore will not air lock.

MODEL NO.	DESCRIPTION
18220-1127	12V, includes reversing switch
18220-2127	12V, pump only

## Jabsco Ballast King



This is the higher flow version of the Ballast Puppy. Featuring a larger motor, the Ballast King will pump up to 15 GPM (57 LPM), which will add up to 125 pounds of ballast water per minute. It's reversible, so it can both empty and fill ballast tanks. It's self-priming and the impeller is run dry.

MODEL NO.	DESCRIPTION
22610-9507	12V, includes reversing switch
22610-9007	12V, pump only



# 18 Jabsco Circulation Pumps

## Jabsco Cyclone Centrifugal Pumps



This long-life, continuously rated centrifugal pump delivers high flows up to 29 GPM (110 LPM) with a maximum pressure of 8.7 psi (0.6 bar). The Low Pressure Cyclone is ideal for hot water circulation duties such as engine cooling and central heating systems.

MODEL NO.	DESCRIPTION
50840-0012	12V, 3/4" NPT connections
50840-0024	24V, 3/4" NPT connections
50840-2012	12V, 3/4" BSP connections
50840-2024	24V, 3/4" BSP connections

## Jabsco High Pressure Cyclone Centrifugal Pumps



The High Pressure Cyclone is a long-life pump that delivers flows of up to 21 GPM (80 LPM) and pressures up to 17 psi (1.2 bar), making it ideal for general transfer and circulation duties for water and mild chemicals where more restrictions are present. It can be used in conjunction with trigger nozzles.

MODEL NO.	DESCRIPTION
50860-0012	12V, 3/4" NPT connections
50860-0024	24V, 3/4" NPT connections
50860-2012	12V, 3/4" BSP connections
50860-2024	24V, 3/4" BSP connections

## Jabsco Magnetic Drive Circulation Pumps



59520



59510



59530

Small, compact, and specifically designed for circulation duties, this continuously rated pump provides trouble-free operation. Applications include hot water circulation and raw water cooling.

MODEL NO.	DESCRIPTION
59510-0012	12V, 3.3 GPM (12.5 LPM)
59520-0000	8-24V, up to 5.5 GPM (21 LPM)
59530-0000	8-24V, 5.5 GPM (21 LPM)

# 19 Rule Livewell / Baitwell Pumps & Systems



Keep your tournament-sized catches alive and fresh until you get back to shore. Outfit your fishing vessel's livewell and baitwell with efficient, sturdy, reliable Rule and Jabsco pumps and motors.

## Rule Tournament Series Livewell Pumps

MODEL NO.	CAPACITY	DESCRIPTION
401C	500 GPH (1893 LPH)	Through-hull applications requiring an angled pickup tube, 4" (100mm) long straight thread
401STC	500 GPH (1893 LPH)	Through-hull applications requiring a straight pickup tube, 4-3/4" (121mm) long straight thread
401FC	500 GPH (1893 LPH)	Seacock-mounted applications requiring a 3/4" (19mm) NPT tapered thread
403C	800 GPH (3028 LPH)	Through-hull applications requiring an angled pickup tube, 4" (100mm) long straight thread
403STC	800 GPH (3028 LPH)	Through-hull applications requiring a straight pickup tube, 4-3/4" (121mm) long straight thread
403FC	800 GPH (3028 LPH)	Seacock-mounted applications requiring a 3/4" (19mm) NPT tapered thread
405C	1100 GPH (4164 LPH)	Through-hull applications requiring an angled pickup tube, 4" (100mm) long straight thread
405STC	1100 GPH (4164 LPH)	Through-hull applications requiring a straight pickup tube, 4-3/4" (121mm) long straight thread
405FC	1100 GPH (4164 LPH)	Seacock-mounted applications requiring a 3/4" (19mm) NPT tapered thread

## Rule Tournament Series 1600 Livewell Pumps



Designed for the toughest applications, the 1600 GPH (6057 LPH) model is the highest capacity Livewell Pump on the market. It features a bronze base, an anti-airlock feature and a heavy-duty, long-life motor.

MODEL NO.	VOLTS (DC)
209B	12
209FDP	12, dual port

## Rule General Purpose Centrifugal Pumps



Designed for washdown or to circulate water to livewell tanks, the General Purpose Pump features heavy-duty construction, making it ideal for commercial or pleasure boats. It has a 1-1/2" (38mm) inlet and 1-1/2" (38mm) discharge outlet with a maximum pumping capacity of 3700 GPH (14006 LPH). It must be mounted below the waterline; although it pumps a lot of water, it operates at low pressure and is not self-priming.

MODEL NO.	VOLTS (DC)
17A	12
18A	24



## Rule Replacement Motor Modules



The innovative Tournament Series pumps feature these removable motor cartridges, which are fast and convenient to replace.

MODEL NO.	DESCRIPTION
45DR	500 replacement motor cartridge
46DR	800 replacement motor cartridge
47DR	1100 replacement motor cartridge

## Jabsco Fish Box Evacuation Pump



This pump easily passes debris such as bait residue, fish scales and ice particles, which are often left in the box after a day of fishing.

MODEL NO.	VOLTS (DC)	DESCRIPTION
50900-1000	12	1" (25mm) and 1-1/2" (38mm) hose barb discharge
50900-1100	24	

## Tips on Selecting a Livewell Pump

A general rule of thumb is to choose a pump that provides enough flow to exchange the water in the tank 6-10 times per hour. However, livewell systems have so many variables that it's hard to calculate flow accurately. Some factors to consider are:

- Head height
- Angles or elbows
- Fittings
- Spray nozzles
- Other restrictors in the system

The easiest way to check if you have enough flow is to mount a Series 500 Livewell Pump in the vessel, as low and close to the hull as possible, and have a Series 800 Livewell Pump cartridge on hand.

Starting with an empty tank, turn on the pump and time how long it takes to fill. If it takes between 6 and 10 minutes, it's good. If it takes less than 6 minutes, there's too much water flowing through the tank, which could damage the bait. Try using a valve to restrict the flow.

If it takes longer than 10 minutes, repeat the test with the Series 800 cartridge. The 500 and 800 GPH pumps use the same base assembly and plumbing, so there's no need to change the base. If the Series 800 still won't fill the tank in less than 10 minutes, you might need the Series 1100, or even the Series 1600.

However, note that bigger is not necessarily better. Too much pump capacity could create airlocks and damage delicate bait. Also, be careful with aggressive, high-speed water intake scoops. They can damage the pump.

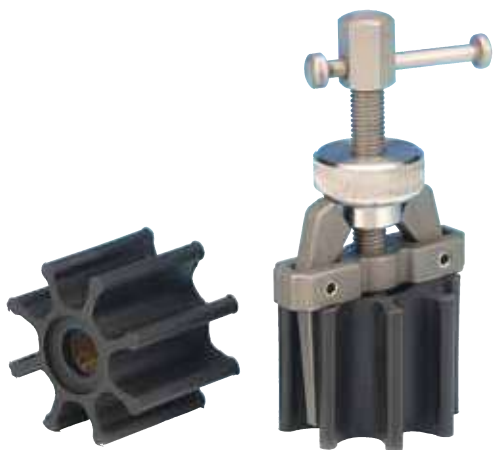
# 20 Jabsco Engine Cooling Pumps & Replacement Impellers

Back in the 1930s, Californians Jack Briggs and Art Streeter developed the first-ever flexible impeller pump for use in air conditioning systems. That was the foundation of Jabsco (the Jack Art Briggs Streeter Company).

Business took off during the war years, when manufacturers discovered that the flexible impeller pump is perfect for cooling marine engines; it's self-priming, it offers the ability to handle solids in suspension like sand and silt, it's simple, it's highly reliable, and it's easy to maintain. Since then, marine engine manufacturers around the globe have relied on Jabsco pumps.

Jabsco impellers are subjected to rigorous quality processes to ensure reliable, efficient and long-lasting performance. The impeller is the one working part of an engine cooling pump that should be replaced annually. Your local stockist can help identify the correct replacement for full reliability.

## Impeller Replacement



Replace all impellers every year or sooner, and always carry a spare on board in case of damage. Replacing impellers is easy.

First and most importantly, close the inlet seacock of your engine's cooling system. Next, remove the end cover screws from the pump (being careful not to drop them in the bilge), then remove the end cover. Note the way the impeller blades are slanting; you will need to install the new impeller the same way.

Now remove the impeller using an impeller removal tool, or by using pliers to grip the hub of the impeller. Don't use screwdrivers, as they can damage the face of the pump and cause leaks, which may be dangerous in confined spaces.

Always grease new impellers; this makes them easier to install and gives added protection to the impeller during the initial prime. Be sure to replace the seal between the end cover and the pump body before refitting the end cover. We offer impeller kits with a variety of replacement gaskets to simplify the job.

## Jabsco Flexible Impeller Removal Tools



Using this tool is the easiest way to remove an impeller, especially when the pump is mounted in a cramped space.

MODEL NO.	DESCRIPTION
50070-0080	Compact version suitable for impellers up to 2-1/4" (57mm)
50070-0040	Suitable for impellers up to 2-1/2" (65mm) diameter
50070-0200	Suitable for impellers from 2-1/2" (65mm) to 4-1/2" (118mm) diameter

# 21 Heavy-Duty Radial Blowers, Radial & In-Line Blowers, Inflators

Boating isn't only about water; it's about air too. Ensure that your vessel is properly ventilated and your inflatables are fully inflated. Install only top-quality blowers and inflators from Rule and Jabsco.

## Rule In-line Blowers



Designed for efficient, high-output operation, these blowers provide ventilation for bilges, engine compartments, galleys and heads. They feature exclusive front and rear shaft seals, corrosion-resistant motors and premium-quality electrical connections for long life.

MODEL	DUCTING (IN/MM)	VOLTS (DC)	FUSE SIZE (AMPS)
140	3" (76mm)	12	4.0
140-24V	3" (76mm)	24	2.5
240	4" (102mm)	12	4
240-24V	4" (102mm)	24	2.5

## Jabsco Heavy Duty Flangemount and Flexmount Blowers



35760 Series



35770 Series

Available in either Flange or Flexmount form, these powerful blowers are designed for use wherever continuous ventilation is required. A motor life of 5,000 hours is guaranteed for service in the toughest conditions. They provide outputs of 250 cfm (7.1m<sup>3</sup>/min).

MODEL NO.	DESCRIPTION
35760-0092	12V DC, flangemount
35760-0094	24V DC, flangemount
35770-0092	12V DC, flexmount
35770-0094	24V DC, flexmount

## Jabsco Flangemount and Flexmount Blowers



35115 Series



35400 Series



35440 Series



34739 Series

These quiet-running blowers are designed to allow easy connection to ductwork. They incorporate corrosion-resistant materials throughout. Three sizes are available, with outputs of 105 cfm (3m<sup>3</sup>/min) (12V only), 150 cfm (4.2m<sup>3</sup>/min) (12 and 24V) and 250 cfm (7.1m<sup>3</sup>/min) (12 and 24V).

### FLEXMOUNT

MODEL NO.	DESCRIPTION
35115-0010	3m <sup>3</sup> /min output, 12V DC
36740-0000	4.2m <sup>3</sup> /min output, 12V DC
36740-0010	4.2m <sup>3</sup> /min output, 24V DC
35440-0000	7.1m <sup>3</sup> /min output, 12V DC
35440-0010	7.1m <sup>3</sup> /min output, 24V DC

### FLANGEMOUNT

MODEL NO.	DESCRIPTION
35115-0020	3m <sup>3</sup> /min output, 12V DC
34739-0010	4.2m <sup>3</sup> /min output, 12V DC
34739-0020	4.2m <sup>3</sup> /min output, 24V DC
35400-0000	7.1m <sup>3</sup> /min output, 12V DC
35400-0010	7.1m <sup>3</sup> /min output, 24V DC

## Rule High Speed Inflator/Deflator



This super-fast air pump cuts the inflation time for a typical four-man dinghy to less than two minutes. Powered by a standard 12V boat or car battery, it comes with a range of adjustable nozzles to fit plastic, rubber, and sprung valves on all major brands.

MODEL NO.	DESCRIPTION
iD20	12V DC, inflator/deflator
iD20K	Replacement nozzle kit



## 22 Jabsco Remote Control Kits & Harnesses, Floodlights

See what's at sea or on deck when you're boating at night. Xylem offers a range of bright, long-lasting products, including remote control searchlights, bracket-mounted floodlights and wiring harnesses.

### Jabsco 135 SL RC Searchlights



Developed with the smaller boat in mind, the 5" by 3" halogen-sealed beam delivers 100,000 candlepower, providing 1 lux at 885' (262m). The 135 SL rotates 320 degrees horizontally and 75 degrees vertically.

MODEL NO.	VOLTS (DC)
60020-0000	12
60020-0024	24

### Jabsco 146 SL RC Searchlights



The 175,000 candlepower, 6" by 4" halogen-sealed beam brings long-range capability to mid-sized boats, producing 1 lux at 1275' (386m). Offering 360 degrees vertical rotation, the 146 SL gives high performance at a reasonable cost. An optional dual station control kit is available.

MODEL NO.	VOLTS (DC)
60080-0012	12
60080-0024	24

### Jabsco 155 (5") SL RC Searchlights



The watertight, halogen-sealed beam will pick out hazards at nearly 900' (275m) by producing 1 lux at 885' (268m) with 100,000 candlepower. Offering style, performance and value, the 155 SL has sweeping curves and fingertip controls.

MODEL NO.	VOLTS (DC)
61050-0012	12
61050-1224	12/24 (with electronic control)

## Jabsco 180 (7") RC Searchlights



The 180mm model produces a mighty 230,000 candlepower and 1 lux at 1380' (418m). Made of heavily chromed brass for a classic look, it comes complete with a water-resistant, dual-speed control panel.

MODEL NO.	VOLTS (DC)
62040-4002	12
62040-4006	24

## Jabsco 200 (8") RC Searchlight



The most powerful remote control light that Jabsco manufactures is the 200mm model, which produces a huge 500,000 candlepower output with 1 lux at 2375' (719m). Equipped with a water-resistant, dual-speed control panel, it's made of heavily chromed brass, giving it a classic appearance.

MODEL NO.	VOLTS (DC)
62042-4006	24



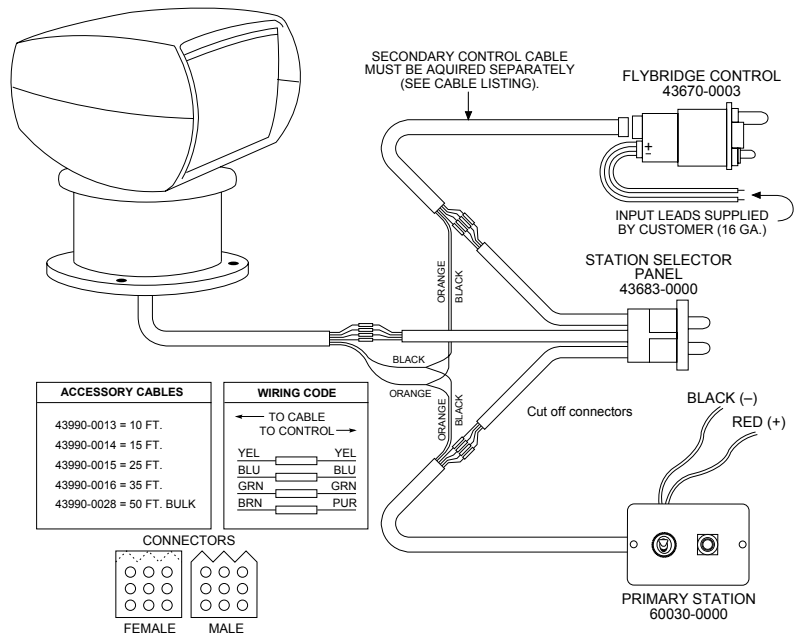
# 23 Lighting Accessories

## Jabsco Secondary Remote Control Kits



These kits are the only way to achieve dual station control of Jabsco remote control searchlights.

MODEL NO.	DESCRIPTION
43670-0004	For 130 (12V), 180 (12V), 146SL (12V or 24V), 255SL (12V)
18753-0335	For 180 (24V), 200 (24V), 255SL (24V)
64044-0000	For 155SL (electronic 12/24V), 156SL (electronic 24V), 150 (electronic 12/24V)
43670-0005	Dual station installation kit



## Jabsco Extension Harnesses

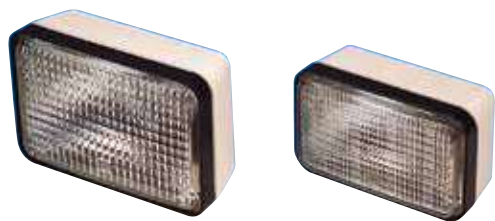


These wiring harnesses allow for remote control installations where cable lengths are greater than those supplied with the light.

MODEL NO.	DESCRIPTION
43990-0013	10' (3m) standard control
43990-0014	15' (4.5m) standard control
43990-0015	25' (7.6m) standard control
43990-0016	50' (15.2m) standard control
64042-1011	10' (3m) electronic control
64042-1007	15' (4.5m) electronic control
64042-1008	25' (7.6m) electronic control
64042-1009	50' (15.2m) electronic control



## Jabsco Deck Floodlights



This range of compact floodlights for the deck, cockpit, or boarding point comes available in two sizes: 3" by 5" and 4" by 6"

### 3" X 5"

MODEL NO.	DESCRIPTION
45900-1000	12V DC, white
45903-0002	Replacement sealed beam
45900-3000	12V DC, black

### 4" X 6"

MODEL NO.	DESCRIPTION
45900-4000	12V DC, ultra bright white (not available in Europe)
45900-0000	12V DC, white
45900-0001	24V DC, white
45903-0000	50 watt replacement bulb
45903-0001	70 watt replacement bulb







# Compasses - Danforth®



Model C100

Model C101



Model C102

Model C103



Model C104

Model C105

## Danforth® Quest™ 2" (51mm)

Whether your fun takes you on the water or off-road, the new Danforth® Quest™ compass will point the way.

The Quest™ Compass's unique bracket design provides the versatility to mount your compass at any angle—on horizontal, vertical and even overhead surfaces. And with the adhesive mounting disk provided, use of screws is optional. (3 screws provided). Flush mounting models are available.

Our exclusive NO-SPIN card technology gives you guaranteed accuracy and rock-steady readings in a small, sporty size.

Hi-flux corrector magnets provide the added measure of adjustment often required for automobile, RV, ATV, snowmobile and certain marine installations. 12 VDC red night illumination is standard.

Model	Description	Apparent Card Size (inches/mm)	Card Degrees	Finish	Mounting Style
C100	Front Read, Black Card	2" (51mm)	5°	Black	Brkt
C101	Front Read, Blue Card	2" (51mm)	5°	White	Brkt
C102	Front Read, Blue Card	2" (51mm)	5°	Gray	Brkt
C103	Front Read, Black Card	2" (51mm)	5°	Yellow	Brkt
C104	Front Read, Black Card	2" (51mm)	5°	Black	Flush
C105	Front Read, Blue Card	2" (51mm)	5°	White	Flush

A 2" (51mm) D 1.79" (45mm)  
 B 1.65" (42mm) E 3.19" (81mm)  
 C 2.17" (55mm)

A 3" (76mm) C 2-1/2" (64mm)  
 B 2" (51mm) D 1-3/4" (45mm)

## Danforth® Skipper II™ Series - 2-5/8" (67mm)

Skipper II™ compasses have exclusive guaranteed no-spin Global Balance front reading cards with 5° graduations for stable readings at high speeds or in rough weather. Full 30° card tilt angle. Other features include large illuminated 2-5/8" (67mm) Lexan® dome and high visibility bright yellow or red lubber line. All Skipper II™ models have an expansion diaphragm, cross-bar compensating system, and night illumination (No. A4569-50-6R light kit optional on A80 models).

A 2-5/8" (67mm)  
 B 1-3/4" (44mm)  
 C 1-7/64" (28mm)  
 D 2-7/8" (73mm)  
 E 4-1/2" (115mm)  
 F 2-7/8" (73mm)

Model A92

## Flush Mount

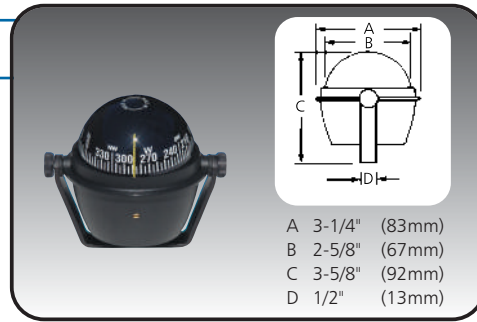
Model	Description	Apparent Card Size (inches/mm)	Card Degrees	Finish	Bearing Lines
A92	Front Read with Hood	2-5/8" (67mm)	5°	Black	0°
A92G	Front Read, Blue Card with Hood	2-5/8" (67mm)	5°	Gray	0°
A92W	Front Read with Hood	2-5/8" (67mm)	5°	White	0°



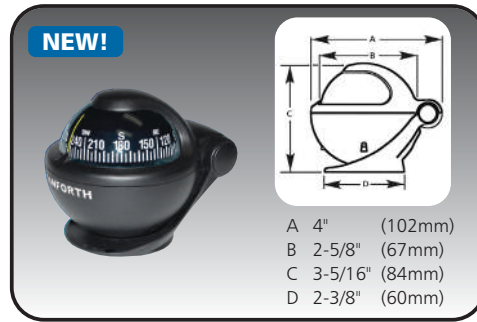
## Bracket Mount

Model	Description	Apparent Card Size (inches/mm)	Card Degrees	Finish	Bearing Lines
A80B	Front Read	2-5/8" (67mm)	5°	Black	0°
A80W	Front Read, Blue Card	2-5/8" (67mm)	5°	Gray	0°
A92W	Front Read, White Card	2-5/8" (67mm)	5°	White	0°
A91	Front Read Bracket mount	2-5/8" (67mm)	5°	Black	0°
A91G	Front Read, Blue Card Bracket mount	2-5/8" (67mm)	5°	Gray	0°
A91W	Front Read, White Card Bracket mount	2-5/8" (67mm)	5°	White	0°

A91 compasses feature a modular design. The capsules are easily removable for storage below or for use as a hand bearing compass.



Model A80B



Model A91

## Surface Mount

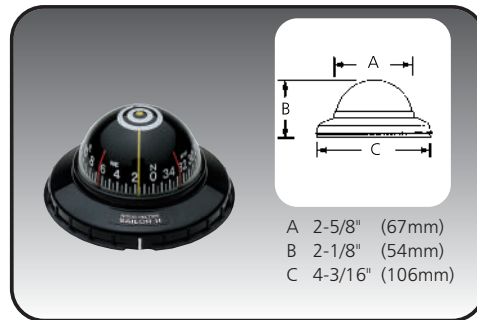
A93 and A121 compasses feature a modular design. The capsules are easily removable for storage below or for use as a hand bearing compass.

Model	Description	Apparent Card Size (inches/mm)	Card Degrees	Finish	Bearing Lines
A93B	Front Read	2-5/8" (67mm)	5°	Black	0°
A93G	Front Read, Blue Card	2-5/8" (67mm)	5°	Gray	0°
A93W	Front Read	2-5/8" (67mm)	5°	White	0°
A121	Front Read	2-5/8" (67mm)	5°	Black	0°

The A121 compass features an exclusive water-tight mounting system for installations on flat or curved surfaces.



Model A93B

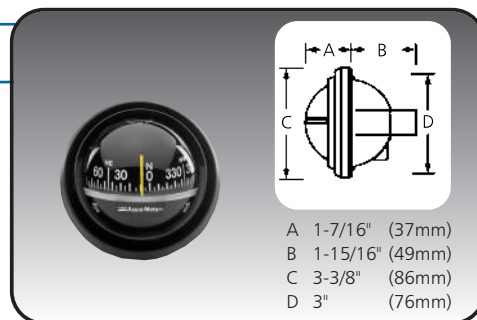


Model A121

## Panel Mount

A103PB and A10063 are adjustable for mounting on surfaces from vertical to a 30° incline.

Model	Description	Apparent Card Size (inches/mm)	Card Degrees	Finish	Bearing Lines
A103PB	Front Read	2-5/8" (67mm)	5°	Black	0°
A10063	Front Read Surface/Panel Mount	2-5/8" (67mm)	5°	Chrome	0°



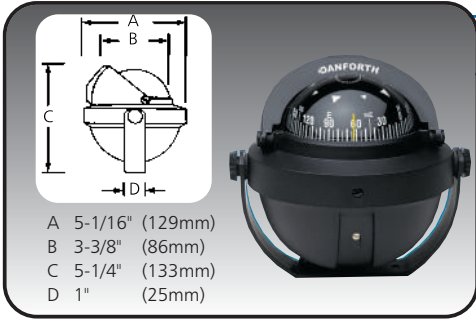
Model A103PB



## Danforth® Cruiser™ Series – 3-3/8" (86mm)

### FOR POWERBOAT INSTALLATIONS

Cruiser™ compasses are available with a front-reading, 3-3/8" (86mm) apparent diameter NO-SPIN Global Balance\* card or a front or flat reading card. Designed for cruising class boats in the 18 to 30 foot range, all Cruiser™ compasses have crystal clear spherical acrylic domes, cross-bar compensators, and red night illumination.

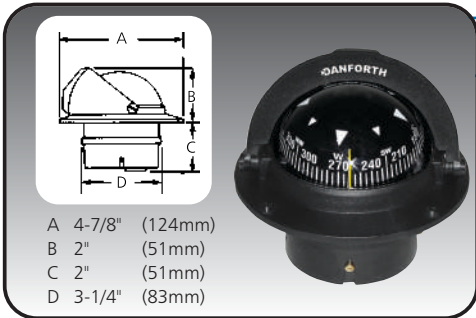


- A 5-1/16" (129mm)
- B 3-3/8" (86mm)
- C 5-1/4" (133mm)
- D 1" (25mm)

Model A150

### Bracket Mount

Model	Description	Apparent Card Size (inches/mm)	Card Degrees	Finish	Bearing Lines
A150	Front Reading, Black	3-3/8" (86mm)	5°	Black	0°/45°
A151	Flat Card, Black	3-3/8" (86mm)	5°	Black	0°/45°/180°



- A 4-7/8" (124mm)
- B 2" (51mm)
- C 2" (51mm)
- D 3-1/4" (83mm)

Model A154

### Flush Mount

Model	Description	Apparent Card Size (inches/mm)	Card Degrees	Finish	Bearing Lines
A154	Front Reading, Black	3-3/8" (86mm)	5°	Black	0°/45°
A154W	Front Reading, White	3-3/8" (86mm)	5°	White	0°/45°
A154WB	Front Reading, White with Blue Card	3-3/8" (86mm)	5°	White	0°/45°
A156	Flat Card	3-3/8" (86mm)	5°	Black	0°/45°/180°



- A 5-15/16" (151mm)
- B 3-3/8" (86mm)
- C 4-7/8" (124mm)

Model A152

### Binnacle Mount

Model	Description	Apparent Card Size (inches/mm)	Card Degrees	Finish	Bearing Lines
A152	Front Reading	3-3/8" (86mm)	5°	Black	0°/45°
A155	Flat Card	3-3/8" (86mm)	5°	Black	0°/45°/180°

\*Available Spring 2003.



## Corsair® IV & Saturn® Series –3¾" (95mm)

The Corsair® IV compasses offer you a choice of traditional flat card or exclusive NO-SPIN Global Balance® front read and dual read card models. Available in flush, binnacle or bracket mounting styles, for power or sail, these attractive 3-3/4" (95mm) compasses sport a unique telescoping hood which protects the compass when not in use. Corsair® IV compasses are available in Hi-Speed® powerboat models for planing hulls and are fully gimballed models for sailboat installations. All Corsair® IV capsules are easily removable for winter storage. Navy red L.E.D. night illumination and built-in compensators are standard.



All models feature a telescoping, full closure hood.

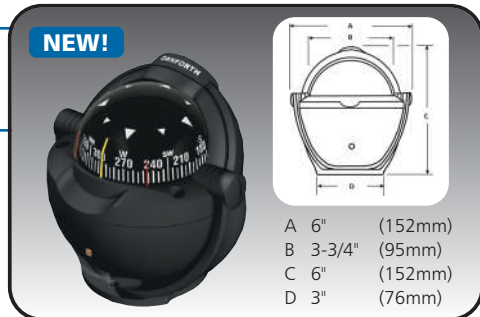
Model	Mounting Style	Card Size	Card Style	Card Color	Housing Finish
C352-3	Binnacle	3-3/4" (95mm)	Flat	Black	Black
C352F-3	Binnacle	3-3/4" (95mm)	Front Reading	Black	Black
C398-3	Bracket	3-3/4" (95mm)	Flat	Black	Black
C398F-3	Bracket	3-3/4" (95mm)	Front Reading	Black	Black
C399-3	Flush	3-3/4" (95mm)	Flat	Black	Black
C399-3W	Flush	3-3/4" (95mm)	Flat	White	White
C399D-3	Flush	3-3/4" (95mm)	Dual Reading	Black	Black
C399D-3W	Flush	3-3/4" (95mm)	Dual Reading	White	White
C399D-3WB	Flush	3-3/4" (95mm)	Dual Reading	Blue	White
C399F-3	Flush	3-3/4" (95mm)	Front Reading	Black	Black
C399F-3W	Flush	3-3/4" (95mm)	Front Reading	White	White

## Bracket Mount Hi-Speed® Corsair® IV – 3¾" (95mm)

### POWER OR SAILBOATS

The Hi-Speed model's specially formulated dampening fluid makes this compass exceptionally stable at higher boat speeds.

Model	Description	Apparent Card Size (inches/mm)	Card Degrees	Finish	Bearing Lines
C398-3	Flat Card	3-3/4" (95mm)	5°	Black	0°/45°/180°
C398F-3	Front Reading	3-3/4" (95mm)	5°	Black	0°/45°



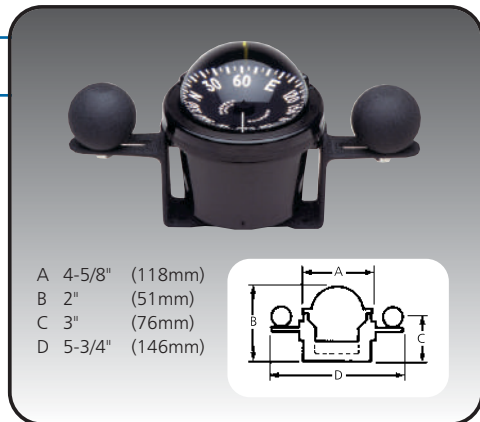
Model C398F-3

## Yoke Mount Steel Boat

### POWER OR SAILBOATS

External corrector spheres are designed to eliminate the deviations inherent in steel boats. No hood.

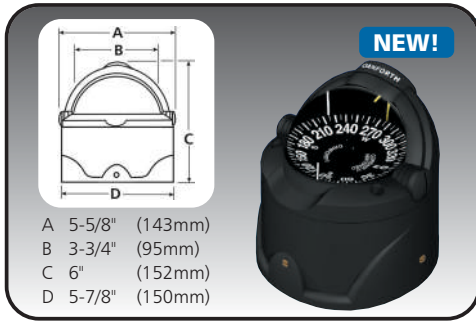
Model	Description	Apparent Card Size (inches/mm)	Card Degrees	Finish	Bearing Lines
C373	Flat Card	3-1/2" (89mm)	5°	Black	0°/45°/180°



Model C373

\*Available Spring 2003.





- A 5-5/8" (143mm)
- B 3-3/4" (95mm)
- C 6" (152mm)
- D 5-7/8" (150mm)

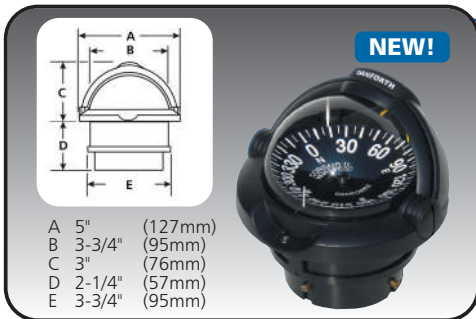
Model C352-3

## Binnacle Mount Hi-Speed® Corsair® IV – 3 3/4" (95mm)

POWER OR SAILBOATS

Model	Description	Apparent Card Size (inches/mm)	Card Degrees	Finish	Bearing Lines
C352-3	Flat Card	3-3/4" (95mm)	5°	Black	0°/45°/180°
C352F-3	Front Reading	3-3/4" (95mm)	5°	Black	0°/45°

Feature surface mounting with no holes to cut.



- A 5" (127mm)
- B 3-3/4" (95mm)
- C 3" (76mm)
- D 2-1/4" (57mm)
- E 3-3/4" (95mm)

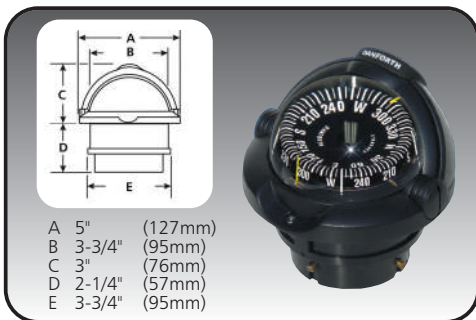
Model C399-3

## Flush Mount Hi-Speed® Corsair® IV – 3 3/4" (95mm)

POWER OR SAILBOATS

Model	Description	Apparent Card Size (inches/mm)	Card Degrees	Finish	Bearing Lines
C399-3	Flat Card	3-3/4" (95mm)	5°	Black	0°/45°/180°
C399-3W	Flat Card, White	3-3/4" (95mm)	5°	White	0°/45°/180°

Feature extra large numbers for clear viewing.

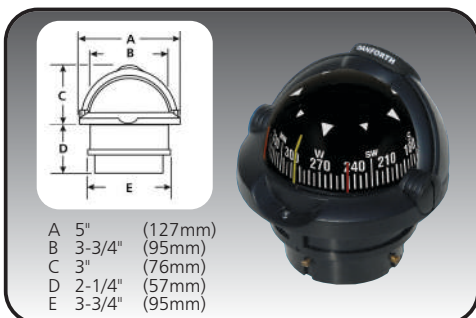


- A 5" (127mm)
- B 3-3/4" (95mm)
- C 3" (76mm)
- D 2-1/4" (57mm)
- E 3-3/4" (95mm)

Model C399D-3

Model	Description	Apparent Card Size (inches/mm)	Card Degrees	Finish	Bearing Lines
C399D-3	Dual Read	3-3/4" (95mm)	5°	Black	0°/45°/180°
C399D-3W	Dual Read, Black	3-3/4" (95mm)	5°	White	0°/45°/180°
C399D-3WB	Dual Read, Blue	3-3/4" (95mm)	5°	White	0°/45°/180°

Feature traditional top viewing and edge reading for low angle viewing.



- A 5" (127mm)
- B 3-3/4" (95mm)
- C 3" (76mm)
- D 2-1/4" (57mm)
- E 3-3/4" (95mm)

Model C399F-3

Model	Description	Apparent Card Size (inches/mm)	Card Degrees	Finish	Bearing Lines
C399F-3	Front Reading	3-3/4" (95mm)	5°	Black	0°/45°
C399F-3W	Front Reading, White	3-3/4" (95mm)	5°	White	0°/45°

Feature exclusive NO-SPIN card for stable readings, even in the toughest conditions.



## Danforth® Saturn Series® – 3 3/4" (95mm)

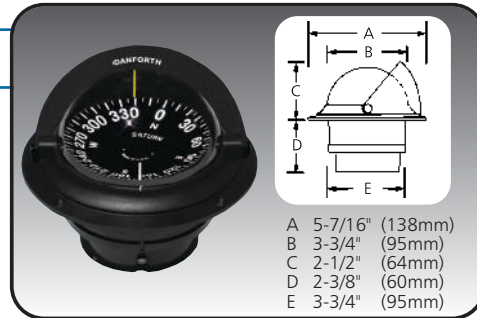
### "The Value Choice"

The compact 3-3/4" (95mm) saturn compasses are available with our exclusive NO-SPIN Global Balance\* front reading card, flat card or dual-reading card. All Saturn® compasses feature an adjustable hood, compensators, and night illumination.

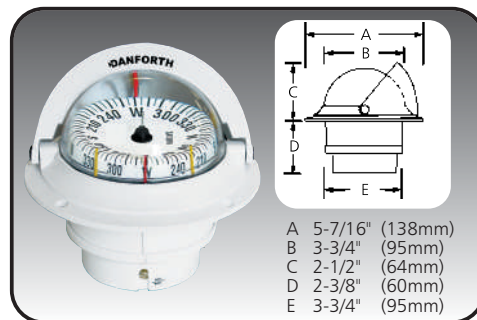
### Flush Mount

FOR POWERBOAT AND SAILBOAT INSTALLATIONS

Model	Description	Apparent Card Size (inches/mm)	Card Degrees	Finish	Bearing Lines
A143	Front Reading	3-3/4" (95mm)	5°	Black	0°/45°
A143W	Front Reading	3-3/4" (95mm)	5°	White	0°/45°
A143D	Dual Reading	3-3/4" (95mm)	5°	Black	0°/45°/180°
A143DW	Dual Reading	3-3/4" (95mm)	5°	White	0°/45°/180°
A144	Flat Card	3-3/4" (95mm)	5°	Black	0°/45°/180°



Model A144



Model A143DW

### Dual-Reading Card

Model	Description	Apparent Card Size (inches/mm)	Card Degrees	Finish	Bearing Lines
A140	Dual Read, Red	3-3/4" (95mm)	5°	Black	0°/45°/180°
A140W	Dual Read, White	3-3/4" (95mm)	5°	White	0°/45°/180°

142-24 Cover included with new style A140 models.

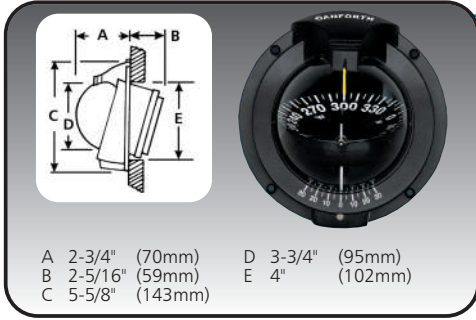
Can be mounted on vertical surfaces and surfaces canted up to 15° forward.



Model A140W

Model A140

\*Available Spring 2003.



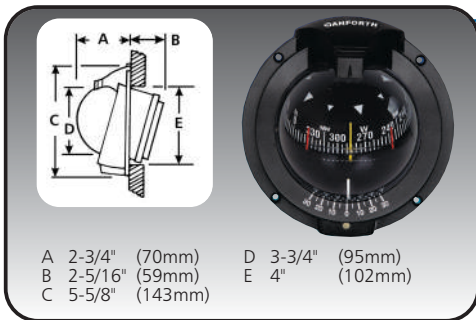
A 2-3/4" (70mm)      D 3-3/4" (95mm)  
 B 2-5/16" (59mm)    E 4" (102mm)  
 C 5-5/8" (143mm)

Model A142

## Flat Card

**NEW STYLE!** Cover included

Model	Description	Apparent Card Size (inches/mm)	Card Degrees	Finish	Bearing Lines
A141	Flat Card	3-3/4" (95mm)	5°	White	0°/45°/180°
A142	Flat Card	3-3/4" (95mm)	5°	Black	0°/45°/180°



A 2-3/4" (70mm)      D 3-3/4" (95mm)  
 B 2-5/16" (59mm)    E 4" (102mm)  
 C 5-5/8" (143mm)

Model A149

## Front Reading Card

**NEW STYLE!** Cover included

Model	Description	Apparent Card Size (inches/mm)	Card Degrees	Finish	Bearing Lines
A149	Front Reading	3-3/4" (95mm)	5°	Black	0°/45°

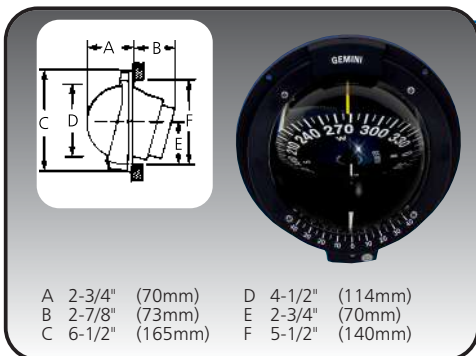


Model 142-24

## Bulkhead Mount

Model	Description
A145	Bulkhead mount back cover – Fits all models
142-24	Bulkhead mount front cover – Included with new style compass Fits new style models A140, A140W, A141, A142, A149
A14C	Bulkhead mount front cover – Fits model A140, A140W, A149 Manufactured prior to 2001

A142-24 cover included with all "new style" bulkhead mount Saturn® compasses.



A 2-3/4" (70mm)      D 4-1/2" (114mm)  
 B 2-7/8" (73mm)    E 2-3/4" (70mm)  
 C 6-1/2" (165mm)    F 5-1/2" (140mm)

Model A182

## Bulkhead Mount – 4 1/2" (114mm)

Fully gimballed for stable readings at any angle of heel.

Model	Description	Apparent Card Size (inches/mm)	Card Degrees	Finish	Bearing Lines
A182	Flat Card	4-1/2" (114mm)	5°	Black	0°/45°/90°/180



## Danforth® Constellation® Family – 4 1/2" (114mm), 5" (127mm), 5 1/2" (140mm), 6" (152mm), 8" (203mm)

Constellation® compasses have earned the title of The World's Most Trusted® Compasses. They are used worldwide for larger pleasure boats, ocean racing powerboats and sailboats, commercial vessels, fishing fleets and by the U.S. Navy and Coast Guard.

The Constellation® compass features an internal gimbal ring that allows full tilt and heel, a virtually indestructible jewel and hardened alloy pivot and a unique concave distant reading card that lets you read it from longer distances and at lower angles of sight. Dual reading cards are also available on 4-1/2" (114mm) models.

Available in flush, binnacle and bracket mounting styles, for power or sail, these prestigious compasses provide uncompromising quality and performance for the most discerning yachtsmen.



Model C625SB

## Bracket Mount Steel Boat – 5" (127mm) , 6" (152mm)

POWER OR SAILBOATS

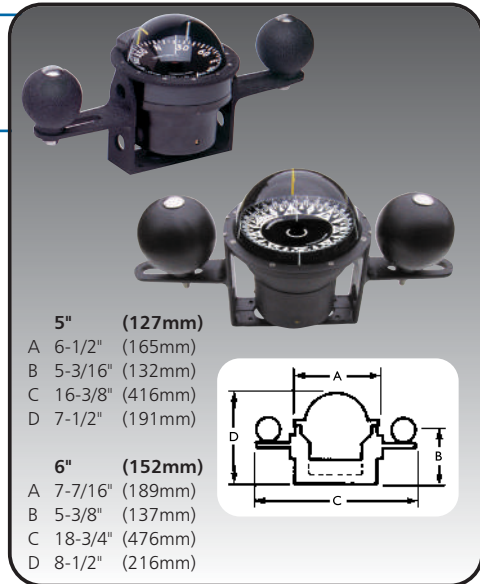
### Steel Boat Compasses

All Danforth® steel boat compasses are equipped with external bracket mounted quadrantal corrector spheres, designed to eliminate deviation caused by transient induced magnetism.

12 volt low-level LED lighting and built-in correctors are standard on all 5" (127mm) and 6" (152mm) sizes.

See page 30 for Corsair® 3-1/2" Steel Boat Compass.

Model	Description	Apparent Card Size (inches/mm)	Card Degrees	Finish	Bearing Lines
C557G	Flat Card	5" (127mm)	5°	Black	0°/45°/180°
C627G	Flat Card	6" (152mm)	2°	Black	0°/45°/90°/180°



Model C557G

Model C627G

## Flush Mount – 4 1/2" (114mm) Dual Reading Card

POWER OR SAILBOATS

For flush mounting on horizontal surfaces.

Exclusive Global Balance card system available Spring 2003 for all 4 1/2" (114mm) models.

Model	Description	Apparent Card Size (inches/mm)	Card Degrees	Finish	Bearing Lines
C401D	Dual Read	4-1/2" (114mm)	5°	Black	0°/45°/180°
C401DWB	Dual Read, Blue Card	4-1/2" (114mm)	5°	White	0°/45°/180°
C402DB	Dual Read, Blue Card	4-1/2" (114mm)	5°	Black	0°/45°/180°



Model C401DWB

Model C401D





Model C402DB

### Flush Mount – 4 1/2" (114mm) Dual Reading Card

The new model C402DB features a fully gimballed dual-reading card system ideal for raised console mounting with eye-level viewing. Our new navy red "tri-light" provides superb night illumination for top or front reading. A hard plastic cover is included with all C402 models.

- C402 Series**  
 A 4-1/2" (114mm)  
 B 3-1/32" (77mm)  
 C 6-1/4" (159mm)  
 D 2-1/2" (64mm)



Model C401WB

Model C402

### Flush Mount – 4 1/2" (114mm) Flat Card

**POWER OR SAILBOATS**

Can be mounted on any horizontal surface.

Model	Description	Apparent Card Size (inches/mm)	Card Degrees	Finish	Bearing Lines
C401	Flat Card	4-1/2" (114mm)	5°	Black	0°/45°/180°
C401WB	Flat Card, Blue	4-1/2" (114mm)	5°	White	0°/45°/180°
C402	Flat Card	4-1/2" (114mm)	5°	Black	0°/45°/180°
C402B	Flat Card, Blue	4-1/2" (114mm)	5°	Black	0°/45°/180°
C402W	Flat Card, White	4-1/2" (114mm)	5°	White	0°/45°/180°

- C401 Series**  
 A 4-1/2" (114mm)  
 B 3-3/8" (86mm)  
 C 6-1/4" (159mm)  
 D 2" (51mm)



Model C561HA

Model C561HS

### Flush Mount Hi-Speed® – 5" (127mm) , 5 1/2" (140mm), 6" (152mm)

The Hi-Speed® compass provides greater card dampening at higher boat speeds.

The model C561HS features extra large card graphics for clear visibility even from a distance. Ruggedly constructed using a virtually indestructible Lexan® dome, cast aluminum bezel ring, sapphire jewel and hardened stainless pivot, this compass will provide many years of dependable service.

Model	Description	Apparent Card Size (inches/mm)	Card Degrees	Finish	Bearing Lines
C561HA	Flat Card	5" (127mm)	5°	Black	0°/45°/180°
C561HS	Flat Card	5-1/2" (140mm)	5°	Black	0°/45°/180°
C661HA	Flat Card	6" (152mm)	5°	Black	0°/45°/180°

- 5" (127mm) 5-1/2" (140mm) 6" (152mm)  
 A 5-7/8" (149mm) 6-1/2" (165mm) 7" (178mm)  
 B 3" (76mm) 4" (102mm) 4-1/4" (114mm)  
 C 7-1/2" (191mm) 7-1/2" (191mm) 9-1/2" (241mm)  
 D 4-1/2" (114mm) 4-1/4" (114mm) 5-1/16" (129mm)  
 E 3-1/16" (78mm) 3-1/2" (89mm) 3" (76mm)

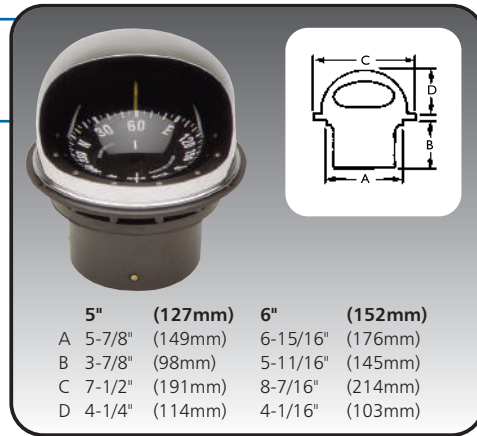


## Bridge Flush Mount (with hood) - 5" (127mm), 6" (152mm)

### POWER OR SAILBOATS

Specially suited for mounting conditions when a high deck area forward of the wheel makes reading of a conventional binnacle compass difficult. The low flush mount with lift-off hood makes compass readings easier and faster.

Model	Description	Apparent Card Size (inches/mm)	Card Degrees	Finish	Bearing Lines
C580CA	Flat Card	5" (127mm)	5°	Black	0°/45°/180°
C680CA	Flat Card	6" (152mm)	5°	Black	0°/45°/180°



	5" (127mm)	6" (152mm)
A	5-7/8" (149mm)	6-15/16" (176mm)
B	3-7/8" (98mm)	5-11/16" (145mm)
C	7-1/2" (191mm)	8-7/16" (214mm)
D	4-1/4" (114mm)	4-1/16" (103mm)

Model C580CA

## Binnacle Mount – 4 1/2" (114mm), 5" (127mm), 5 1/2" (140mm), 6" (152mm), 8" (203mm)

### POWER OR SAILBOATS

Unique to compasses of this size, we now offer a "true" dual-reading card system in addition to the traditional flat card design. With 5° graduations for both top viewing as well as front edge markings for low angle viewing, these attractive new models are available in your choice of card colors and white or black cylinders. A white u.v.-stable plastic cover is included with all models.

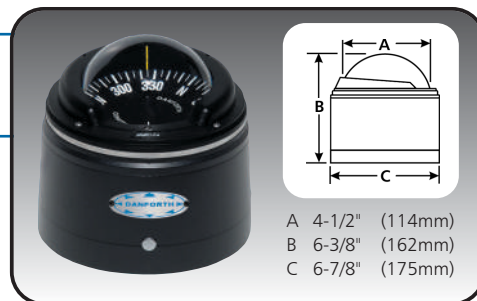
Designed for pedestal mounting as well as powerboat bridge installations, these new 4-1/2" (114mm) Danforth® compasses are the perfect choice for discerning yachtsmen.



Compass cover Model A14729 included with all Binnacle models

## Binnacle Mount (cover included) – 4 1/2" (114mm) Flat Card

Model	Description	Apparent Card Size (inches/mm)	Card Degrees	Finish	Bearing Lines
C483	Flat Card	4-1/2" (114mm)	5°	Black	0°/45°/180°
C483W	Flat Card	4-1/2" (114mm)	5°	White	0°/45°/180°
C483WB	Flat Card, Blue	4-1/2" (114mm)	5°	White	0°/45°/180°



A	4-1/2" (114mm)
B	6-3/8" (162mm)
C	6-7/8" (175mm)

Model C483



Model C483W

Model C483WB



Model C483D

Model C483DB



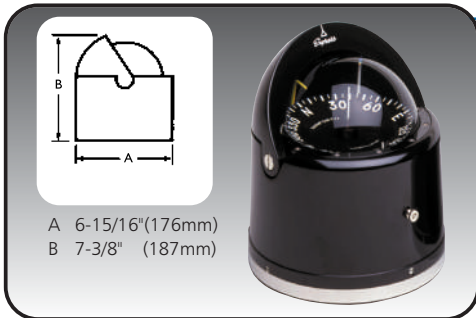
Model C483DWB

Model C483DWR

**Binnacle Mount (cover included) – 4 1/2" (114mm) Dual Read Card**

Model	Description	Apparent Card Size (inches/mm)	Card Degrees	Finish	Bearing Lines
C483D	Dual Read	4-1/2" (114mm)	5°	Black	
C483DB	Dual Read, Blue	4-1/2" (114mm)	5°	Black	
C483DWB	Dual Read, Blue	4-1/2" (114mm)	5°	White	
C483DWR	Dual Read, Red	4-1/2" (114mm)	5°	White	

**CW-7** Pedestal weather shield for 4-1/2" (114mm) models is available.



A 6-15/16" (176mm)  
B 7-3/8" (187mm)

Model C468

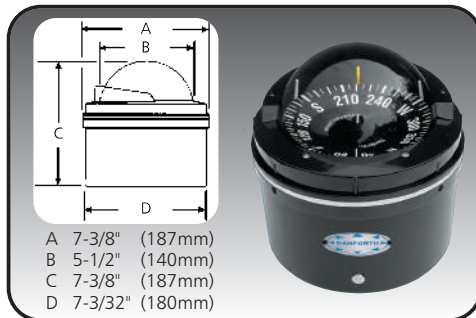
**Express® Binnacle Removable Compass – 5" (127mm)**

**POWER OR SAILBOATS**

One of our most popular Constellation® compasses. This removable model is very versatile. With a snap of a spring lock, the compass can be easily removed from its base for stowage below deck, mounting elsewhere or for use as a portable hand bearing compass. Commonly found on U.S. Coast Guard cutters and Navy vessels.

Easily mounted on sailboat pedestal steerers or powerboat bridges.

Model	Description	Apparent Card Size (inches/mm)	Card Degrees	Finish	Bearing Lines
C468	Flat Card	5" (127mm)	5°	Black	0°/45°/180°



A 7-3/8" (187mm)  
B 5-1/2" (140mm)  
C 7-3/8" (187mm)  
D 7-3/32" (180mm)

Model C562B

**Binnacle Mount (with cover) – 5 1/2" (140mm), 6" (152mm)**

Easily mounted on sailboat pedestal steerers or powerboat bridges, these attractive new binnacle mount compasses feature a 5-1/2" (140mm) card with extra large graphics for easy viewing.

Model	Description	Apparent Card Size (inches/mm)	Card Degrees	Finish	Bearing Lines
C562B	Flat Card	5-1/2" (140mm)	5°	Black	0°/45°/180°
C562S	Flat Card	5-1/2" (140mm)	5°	Stainless	0°/45°/180°
C562W	Flat Card	5-1/2" (140mm)	5°	White	0°/45°/180°



Model C562S

Model C562W



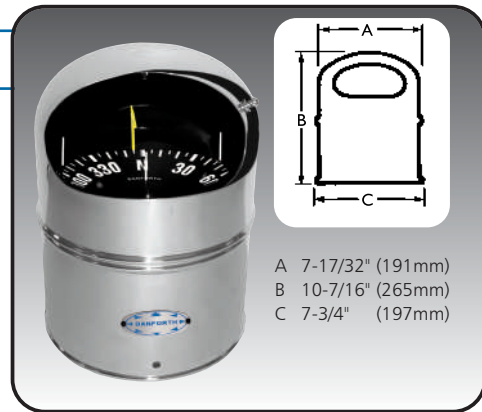
**Cover included with C562 models**



## Binnacle Mount – 6" (152mm)

Easily mounted on sailboat pedestal steerers or power boat bridges.

Model	Description	Apparent Card Size (inches/mm)	Card Degrees	Finish	Bearing Lines
C655C	Flat Card	6" (152mm)	5°	Stainless	0°/45°/180



A 7-17/32" (191mm)  
B 10-7/16" (265mm)  
C 7-3/4" (197mm)

Model C655C

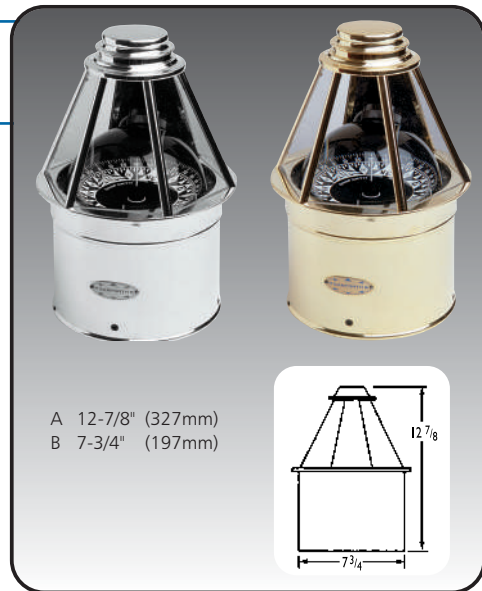
## Skylight Head Binnacle Mount – 6" (152mm)

### POWER OR SAILBOATS

For console or pedestal steerer. These magnificent polished shelf binnacle models are as functional as they are beautiful. You'll find them on classic sailing yachts or in the wheelhouse of classic power boats the world over.

Model	Description	Apparent Card Size (inches/mm)	Card Degrees	Finish	Bearing Lines
C625SB	Flat Card	6" (152mm)	2°	Brass	0°/45°/90°/180°
C625SC	Flat Card	6" (152mm)	2°	Chrome	0°/45°/90°/180°
C625SBAC	Flat Card	6" (152mm)	2°	Brass	0°/45°/90°/180°
C625SCAC	Flat Card	6" (152mm)	2°	Chrome	0°/45°/90°/180°

AC models: 115 Volt AC illumination (transformer included).  
No correctors.



A 12-7/8" (327mm)  
B 7-3/4" (197mm)

Model C625SC

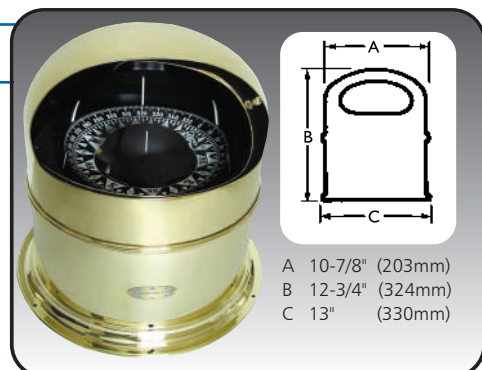
Model C625SB

## Binnacle Mount – 8" (203mm)

### POWER OR SAILBOATS

The Constellation® 8" (203mm) binnacle mount is the largest commercially available compass. Commonly found on the bridge of tugs and freighters, this magnificent compass is uncompromising in every respect.

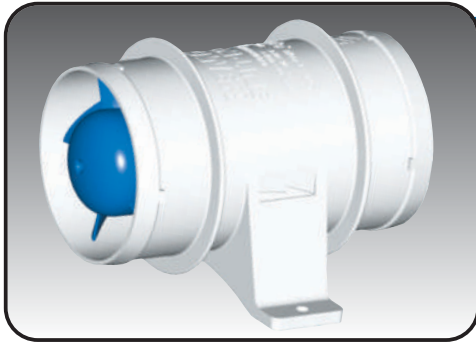
Model	Description	Apparent Card Size (inches/mm)	Card Degrees	Finish	Bearing Lines
C825B	Flat Card, No Hood	8" (203mm)	1°	Brass	0°/45°/90°/180°
C825C	Flat Card, With Hood	8" (203mm)	1°	Chrome	0°/45°/90°/180°



A 10-7/8" (203mm)  
B 12-3/4" (324mm)  
C 13" (330mm)

Model C825B





Model 140



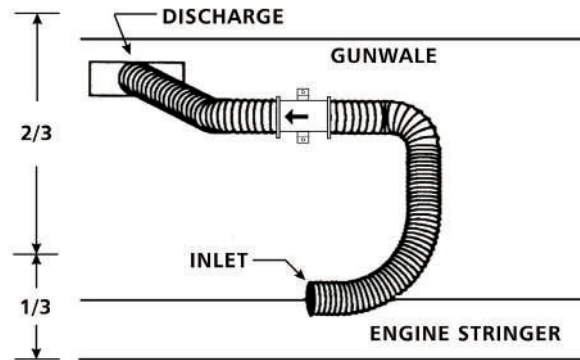
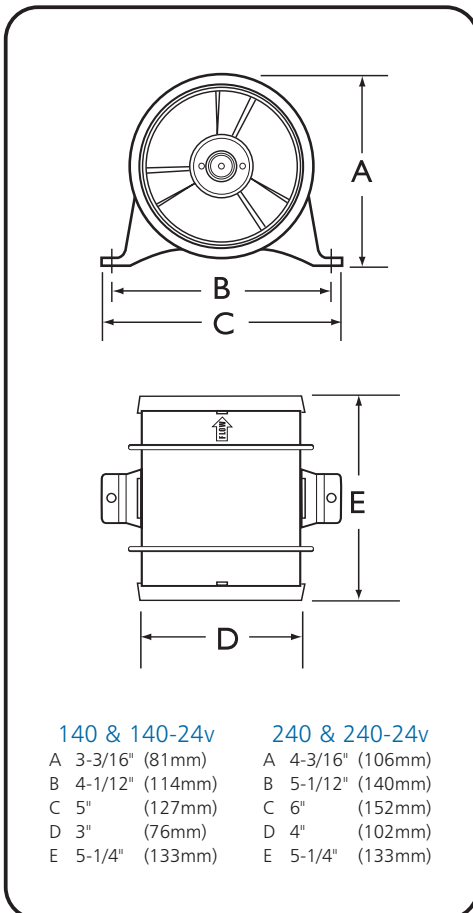
Model 240

## Rule® In-line Blowers

Rule® in-line blowers provide ventilation for bilges, engine compartments, galleys and heads. Designed for efficient, high output operation, these blowers feature our exclusive front and rear shaft seals and corrosion resistant motor housings for long life. Compact and easily installed on any flat surface, Rule® in-line blowers provide higher air flow, lower amp draw and quieter operation than standard blowers.

- Efficient high volume air flow
- Quiet operation
- Low amp draw
- Slip on inlet and outlet ducting connections
- Sealed motor shaft for moisture protection
- Corrosion resistant nickel plated motor housing
- ABYC – H2; ISO 9097
- IMCI (CE)
- N.M.M.A. type accepted
- USCG 183.410 Compliant; Ignition protected

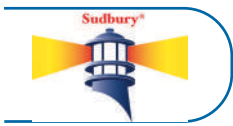
Model	Ducting (inches/mm)	Voltage	CFM@ Open Flow	Amp Draw	Fuse Size (amps)
140	3" (76mm)	13.6	135	2.9	4
140-24V	3" (76mm)	27.2	135	1.7	2.5
240	4" (102mm)	13.6	235	4.3	7
240-24V	4" (102mm)	27.2	235	2.4	4



Installation drawing

This guide is based on International Standard ISO 11105 for small craft – ventilation of gasoline engine and/or gas tank compartments which specifies minimum airflow for given engine compartment size.

Engine Compartment Volume	Ducting	Type	Voltage	Blower Model
0-75ft³ (0-2m³)	3"	In-Line	12v	140
	3"	In-Line	24v	140-24
75-90ft³ (2-2.5m³)	3"	In-Line	12v	140
	3"	In-Line	24v	140-24
90-220ft³ (2.5-5m³)	4"	In-Line	12v	240
	4"	In-Line	12v	240-24



## Marine Sealant Characteristic and Selection Guide

Elastomeric Characteristics	Elastomeric Sealant	Silicone Sealants	Polyurethane Sealants	Polysulfide Sealants
Fast Skinning	X	X		
Fast Curing	X	X		
Above or Below Waterline Use	X		X	X
Useable on All Plastic	X	X		
Paintable	X		X	X
Sandable	X		X	X
3 Year Shelf Life	X	X		
Excellent Adhesion to Metal, Wood, Fiberglass, Plastic	X		X	
Easily Removed	X	X		X
Available in Clear, White and Black	X	X		

### Elastomeric Marine Sealant

A one-part, fast skinning (10 minutes) and fast curing (24 hours) multi-purpose marine grade sealant with superior strength, adhesion, elongation and life characteristics. Cures in temperatures of -20°F (-28.9°C) to 120°F (-48.9°C) and can be wet sanded and painted after curing. Flexibility and compression capabilities are excellent. Heavy duty use above or below the waterline. Twists, bends, expands, compresses. Seals ports, beds hardware, stops leaks. Resistant to teak cleaners, oil, diesel fuel and salt water. Adheres tenaciously without primers to fiberglass, glass, plastic, metal and wood. Simple clean up with mineral spirits. Not recommended for wooden deck seams or use in areas subject to gasoline.

<b>Model 300</b>	White	10 fl. oz. (296 ml)	Cartridge
<b>Model 301</b>	Clear	10 fl. oz. (296 ml)	Cartridge
<b>Model 302</b>	Black	10 fl. oz. (296 ml)	Cartridge
<b>Model 320</b>	White	3 fl. oz. (89 ml)	Tube
<b>Model 321</b>	Clear	3 fl. oz. (89 ml)	Tube



Model 300

Model 320

### Liquid Elastomeric Penetrating Sealant

Liquid version of Elastomeric Clear Sealant. Low viscosity sealant specially formulated for narrow joints where ordinary sealants cannot reach. Ideal for sealing windshields, portholes, hardware, hatches, vents, and fine deck and cabin seams. Same skinning, curing, adhesive, and performance characteristics as Elastomeric Sealant.

<b>Model 350</b>	Clear	3 fl. oz. (89 ml)	Tube
------------------	-------	-------------------	------



Model 350



# Boat Care Products - Sudbury®



Model 412

Model 415

## Miracle Coat Boat Wax

Miracle Coat Boat Wax is a premium protective coating that greatly enhances and extends the life of any fiberglass finish. It is effortlessly applied directly to the fiberglass surface. After a brief drying period, the residue is easily removed revealing a brilliant, showroom shine. Miracle Coat is available in two versions - liquid or paste. Either version performs equally well. A non-abrasive, easy on - easy off formula that will provide season long protection and shine.

Model 412	16 fl. oz. (473 ml)	Liquid
Model 415	11 oz. (325 ml)	Paste



Model 413

Model 410

## One Step Fiberglass Restorer and Wax

One-Step Fiberglass Restorer & Wax is a heavy duty cleaner and wax that works better than many rubbing compounds without the grueling effort or damaging effects of highly abrasive rubbing compounds. One-Step Fiberglass Restorer & Wax deep cleans and restores color and depth to dirty or oxidized fiberglass or painted finishes. Follow up with a coat of Miracle Coat Boat wax to seal and enhance the lustre and greatly extend the life of the finish.

Model 413	16 fl. oz. (473 ml)	Liquid
Model 410	11 oz. (325 ml)	Paste



Model 840Q

## Heavy Duty Fiberglass Powder Cleaner

Heavy duty, scratch-free, all purpose cleaner for fiberglass decks, hulls and transoms. Removes waterline stains, algae, rust, exhaust, oxidation and grime. Reach for Sudbury Heavy Duty Powder Fiberglass Cleaner when liquid cleaners fail. For use with fresh or salt water. 98% biodegradable earth-friendly formula.

Model 840Q	1 lb. 10 oz. (.74 kg)
------------	-----------------------



## Hull Cleaner & Stain Remover

Penetrates and instantly removes deep stains, rust and growths from fiberglass and aluminum surfaces with no scrubbing. Contains Oxalic Acid. Strong and effective, but safe to use. New trigger spray allows quick and easy direct application. 100% biodegradable earth-friendly formula.

Model 815Q 32 fl. oz. (946 ml)



Model 815Q

## Aqua Fresh!™

For fresh tasting, odor free drinking water from fiberglass, plastic or metal tanks. Simply deposit the contents of these handy packets into water tanks. Absolutely safe and non-toxic. 100% biodegradable earth-friendly formula.

Model 830 Eight 2 oz. (0.6 kg) packets per box



Model 830

## Aqua Clear®

For rust free water from potable water tanks. Also for use in automobile radiators, hot water heaters or wherever rusty water is a problem. Forms a microscopic film over all surfaces it touches so that corrosion in metal pipes or tank is controlled. Colorless, odorless, harmless and non-toxic. 100% biodegradable earth-friendly formula.

Model 835Q 32 fl. oz. (946 ml)



Model 835Q

Boat Care Products - Sudbury®





# Boat Care Products - Sudbury®



Model 800Q

## Automatic® Bilge Cleaner

Heavy duty, concentrated formula for the toughest jobs. Protects hull from costly deterioration. Dissolves, emulsifies and combines grease, oil and scum with bilge water. Automatically reaches the most difficult places with the roll of the boat. Kills bilge odor; saves scrubbing time. 98% biodegradable earth-friendly formula.

Model 800Q	32 fl. oz. (946 ml)
Model 800G	128 fl. oz. (3785 ml)
Model 800FFG	55 gal. (208 l)



Model 805Q

## Boat Soap™

The most popular boat cleaner in the world. All-purpose, non-caustic cleaner that works well in fresh or salt, hot or cold water. Removes gull droppings and harbor scum. Great for washing greasy pots, pans, stoves, sinks and dishes. Excellent for washing sails. Leaves surface film free and sparkling clean. 100% biodegradable earth-friendly formula.

Model 805Q	32 fl. oz. (946 ml)
Model 805G	128 fl. oz. (3785 ml)
Model 805FFG	55 gal. (208 l)



Model 810Q

## Boat Soap™ Plus

Heavy duty, works like powders without the abrasion. Double-action emulsification removes scum, smudges, oil and grease. Ideal for fiberglass. Will not damage finish or gelcoat surfaces. Not for use on sails or fabrics. 100% biodegradable earth-friendly formula.

Model 810Q	32 fl. oz. (946 ml)
Model 810G	128 fl. oz. (3785 ml)



## Spray-All™

Spray-All™ is a highly effective, all-purpose cleaner that whisks away black streaks, grease, oxidation and rust from all marine surfaces. Eliminates tough stains on fiberglass, vinyl, fenders, formica and canvas. Its uses are limited only by your imagination. Trigger spray top makes Spray-All™ easy and convenient to use. A must for every boater. 100% biodegradable earth-friendly formula.

Model 845Q 32 fl. oz. (946 ml)



Model 845Q

## Mildew Cleaner & Stain Remover

Fantastic mildew cleaner and stain remover. Only double-action mildew product for boaters. Not only removes ugly mildew stains, but also cleans and restores soiled areas. Great on all mildew prone areas - showers, cushions, covers, galleys, etc. Fast acting spray on, wipe off formula. 100% biodegradable earth-friendly formula.

Model 850Q 32 fl. oz. (946 ml)



Model 850Q

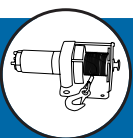
## Marine Toilet Conditioner

Cleans, lubricates and deodorizes. Keeps all parts of the marine toilet clean and in efficient working condition. Contains a special non-mineral oil that will not harm leather, rubber or fittings. Conditions by impregnating and lubricating all parts. Eliminates rather than masks odors. Non-caustic. For use with fresh or salt water. 95% biodegradable earth-friendly formula.

Model 825Q 32 fl. oz. (946 ml)



Model 825Q

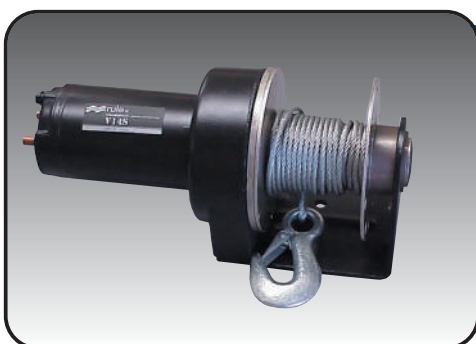


## Model Key:

- T = Trailer Winch  
25' (7.6m) positive lead
- V = Vehicle Winch  
5' (1.5m) positive lead
- R = Remote Control
- S = Non-free wheeling
- E = Extended drum for longer cable
- SS = Stainless Steel Drum

## Electric Winches

Rule's Electric Winch product line comprises a broad range of high quality and reliable winches. Unique features include 3-stage planetary gears for greater pulling speed, power-in, power-out for consistent load control; corrosion resistant die cast drums and lifetime lubrication. Each winch is shipped with the cable assembly including hook, controls, and all electrical hardware necessary for battery hook-up and mounting hardware. Each Series denotes the rated stall in pounds for the series.



Model V14S

## 1400 Series - 1400 lbs. (635 kg) capacity

Model	Volts (DC)	Remote Control	Free Wheel	Cable	Weight (lbs/kg)
14S	12			None	12 (5.4)
T14	12		●	5/32" x 25' (4mm x 7.6m)	20 (9.1)
T14R	12	●	●	5/32" x 25' (4mm x 7.6m)	25 (11.3)
T14S	12			5/32" x 25' (4mm x 7.6m)	19 (8.6)
T14S-SS	12			5/32" x 25' (4mm x 7.6m)	19 (8.6)
T14SR	12	●		5/32" x 25' (4mm x 7.6m)	24 (10.8)
V14	12		●	5/32" x 50' (4mm x 15.2m)	20 (9.1)
V14S	12			5/32" x 25' (4mm x 7.6m)	18 (8.2)
V14R	12	●	●	5/32" x 50' (4mm x 15.2m)	25 (11.3)
V14SR	12	●		5/32" x 25' (4mm x 7.6m)	24 (10.8)



Model T16

## 1600 Series - 1600 lbs. (726 kg) capacity

Model	Volts (DC)	Remote Control	Free Wheel	Cable	Weight (lbs/kg)
16S	24			None	12 (5.4)
T16	24		●	5/32" x 25' (4.0mm x 7.6m)	20 (9.1)
T16R	24	●	●	5/32" x 25' (4.0mm x 7.6m)	25 (11.3)
T16S	24			5/32" x 25' (4.0mm x 7.6m)	20 (9.1)
T16S-SS	24			5/32" x 25' (4.0mm x 7.6m)	20 (9.1)
T16SR	24	●		5/32" x 25' (4.0mm x 7.6m)	25 (11.3)
V16	24		●	5/32" x 50' (4.0mm x 15.2m)	20 (9.1)
V16S	24			5/32" x 25' (4.0mm x 7.6m)	23 (10.4)
V16R	24	●	●	5/32" x 25' (4.0mm x 7.6m)	18 (8.2)
V16SR	24	●		5/32" x 25' (4.0mm x 7.6m)	25 (11.3)

## 2000 Series - 2000 lbs. (907 kg) capacity

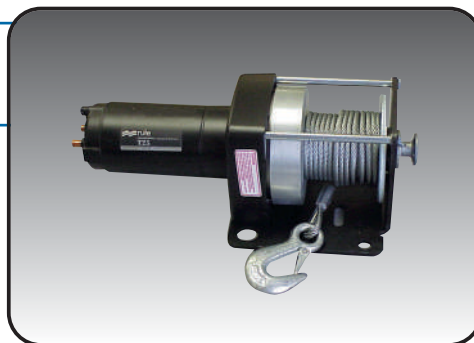
Model	Volts (DC)	Remote Control	Free Wheel	Cable	Weight (lbs/kg)
T0S	12			None	14 (6.4)
T20	12		●	3/16" x 25' (4.8mm x 7.6m)	12 (5.4)
T20-24V	24		●	7/32" x 50' (5.6mm x 15.2m)	21 (9.5)
T20R	12	●	●	3/16" x 25' (4.8mm x 7.6m)	27 (12.2)
T20S	12			3/16" x 25' (4.8mm x 7.6m)	24 (10.9)
T20S-SS	12			3/16" x 25' (4.8mm x 7.6m)	18 (8.2)
T20SR	12	●		3/16" x 25' (4.8mm x 7.6m)	23 (10.4)
T20R-24V	24	●	●	3/16" x 25' (4.8mm x 7.6m)	26 (11.8)
T20S-24V	24			7/32" x 50' (5.6mm x 15.2m)	20 (9.1)
T20SR-24V	24	●		3/16" x 25' (4.8mm x 7.6m)	24 (10.9)
V20	12		●	3/16" x 50' (4.8mm x 15.2m)	22 (10.0)
V20S	12			3/16" x 25' (4.8mm x 7.6m)	18 (8.2)
V20R	12	●	●	3/16" x 50' (4.8mm x 15.2m)	25 (11.3)
V20SR	12	●		3/16" x 25' (4.8mm x 7.6m)	23 (10.4)
V20-24V	24		●	7/32" x 50' (5.6mm x 15.2m)	23 (10.4)
V20S-24V	24			3/16" x 25' (4.8mm x 7.6m)	20 (9.1)
V20R-24V	24	●	●	7/32" x 50' (5.6mm x 15.2m)	28 (12.7)
V20RE-24V	24	●	●	7/32" x 100' (5.6mm x 30.5m)	36 (16.3)



Model T20S

## 2500 Series - 2500 lbs. (1134 kg) capacity

Model	Volts (DC)	Remote Control	Free Wheel	Cable	Weight (lbs/kg)
T25	12		●	3/16" x 25' (4.8mm x 7.6m)	31 (14.1)
T25R	12	●	●	3/16" x 25' (4.8mm x 7.6m)	36 (16.3)
T25SR	12	●		3/16" x 25' (4.8mm x 7.6m)	35 (15.9)
T25S	12			3/16" x 25' (4.8mm x 7.6m)	28 (12.7)



Model T25

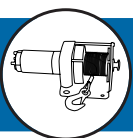
## 3300 Series - 3300 lbs. (1497 kg) capacity

Model	Volts (DC)	Remote Control	Free Wheel	Cable (inches/mm)	Weight (lbs/kg)
33S	12			None	20 (9.1)
T33	12		●	7/32" x 50' (5.6mm x 15.2m)	31 (14.1)
T33R	12	●	●	3/16" x 25' (4.8mm x 7.6m)	36 (16.3)
T33S	12			3/16" x 25' (4.8mm x 7.6m)	28 (12.7)
T33SR	12	●		7/32" x 50' (5.6 mmx 15.2m)	33 (15.0)
V33	12		●	7/32" x 50' (5.6mm x 15.2m)	29 (13.2)
V33S	12			3/16" x 25' (4.8mm x 7.6m)	27 (12.2)
V33R	12	●	●	7/32" x 50' (5.6mm x 15.2m)	34 (15.4)
V33RE	12	●	●	7/32" x 100' (5.6mm x 30.5m)	39 (17.7)
V33SR	12	●		3/16" x 25' (4.8mm x 7.6m)	32 (14.5)
V33E	12		●	7/32" x 100' (5.6mm x 30.5m)	34 (15.4)



Model V33R





# Winches - Electric



Model T42

## 4200 Series - 4200 lbs. (1905 kg) capacity

Model	Volts (DC)	Remote Control	Free Wheel	Cable	Weight (lbs/kg)
T42	12		●	7/32" x 50' (5.6mm x 15.2m)	32 (14.5)
T42R	12	●	●	7/32" x 50' (5.6mm x 15.2m)	35 (16.0)
T42SR	12	●		7/32" x 50' (5.6mm x 15.2m)	35 (16.0)
T42S	12			7/32" x 50' (5.6mm x 15.2m)	31 (14.1)
V42	12		●	7/32" x 50' (5.6mm x 15.2m)	30 (13.6)
V42R	12	●	●	7/32" x 50' (5.6mm x 15.2m)	35 (16.0)
V42RE	12	●	●	7/32" x 100' (5.6mm x 30.5m)	45 (20.4)
V42E	12		●	7/32" x 100' (5.6mm x 30.5m)	35 (16.0)
V42SR	12	●		7/32" x 50' (5.6mm x 15.2m)	34 (15.4)
V42S	12			7/32" x 50' (5.6mm x 15.2m)	29 (13.2)



Model V50

## 5000 Series - 5000 lbs. (2268 kg) capacity

Model	Volts (DC)	Remote Control	Free Wheel	Cable	Weight (lbs/kg)
T50	24		●	1/4" x 45' (6.4mm x 13.7m)	32 (14.5)
T50R	24	●	●	1/4" x 45' (6.4mm x 13.7m)	37 (16.8)
V50	24		●	1/4" x 45' (6.4mm x 13.7m)	30 (13.6)
V50E	24		●	1/4" x 90' (6.4mm x 27.4m)	40 (18.1)
V50R	24	●	●	1/4" x 45' (6.4mm x 13.7m)	35 (16.0)
V50RE	24	●	●	1/4" x 90' (6.4mm x 27.4m)	45 (20.4)
V50SR	24	●		1/4" x 45' (6.4mm x 13.7m)	34 (15.4)



Model V60RE

## 6000 Series - 6000 lbs. (2722 kg) capacity

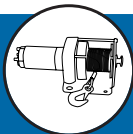
Model	Volts (DC)	Remote Control	Free Wheel	Cable	Weight (lbs/kg)
T60R	12	●	●	1/4" x 45' (6.4mm x 13.7m)	39 (17.7)
T60RE	12	●	●	1/4" x 90' (6.4mm x 27.4m)	52 (23.6)
V60RE	12	●	●	1/4" x 90' (6.4mm x 27.4m)	49 (22.2)
V60R	12	●	●	1/4" x 45' (6.4mm x 13.7m)	39 (17.7)
V60SR	12	●		1/4" x 45' (6.4mm x 13.7m)	38 (17.2)



Model T84RE

## 8400 Series - 8400 lbs. (3810 kg) capacity

Model	Volts (DC)	Remote Control	Free Wheel	Cable	Weight (lbs/kg)
T84R	12	●	●	5/16" x 30' (8mm x 9.1m)	42 (19.1)
T84RE	12	●	●	5/16" x 60' (8mm x 18.3m)	53 (24.0)
V84R	12	●	●	5/16" x 30' (8mm x 9.1m)	42 (19.1)
V84RE	12	●	●	5/16" x 60' (8mm x 18.3m)	49 (22.2)



# Winches - Gasoline Powered

## Gasoline Powered Winch

The G1800E gas powered winch offers “go anywhere” pulling power to a variety of users with countless applications for rescue workers, hunters, boatyard workers, off road vehicles and anyone needing a strong dependable winch in a tough to reach spot.

- Totally Redesigned
- Powered by Dependable Echo® Power Head
- Portable, Go-Anywhere Pulling Power
- Exclusive “Rapid-Reply” Starter System
- Hauls up to 1800 lbs (817 kg) Single Line, 3500 lbs (1588 kg) with Pulley Block
- Multiple Uses for Hunters and Sportsmen
- Applications for Rescue Workers, Line Pullers, Loggers

### SPECIFICATIONS

- Weight:** 32 lbs (14.5 kg) including cable
- Drum Cable:** 75' x 3/16" (22.9m x 4.8mm) aircraft cable.  
Replacement Part #G240
- Tie Down Strap Included:** 2" x 6' (51mm x 1.8m) with 2 hooks #W-132
- Power Head:** 1.83 cubic inch (29990 cubic mm)  
ECHO® CSW-3000 Type 1-E.
- Replacement Part:** #WA-1463

### REDUCTION RATIOS

- Engine to Gear Input:** 2.29:1
- Gearbox Ratio:** 115:1
- Total Ratio:** 263:1
- Drum RPM:** 30

### DIMENSIONS

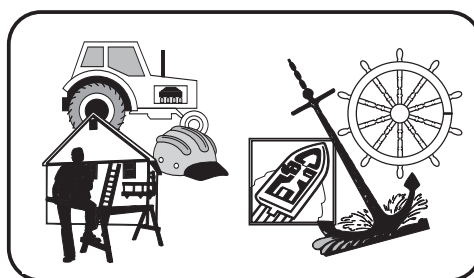
- Length:** 18-1/2" (470mm)
- Width:** 10-1/2" (267mm)
- Height:** 9-1/2" (241mm)

### LINE SPEED/PULLING PERFORMANCE

	Single Line	Double Line
<b>Average Line Speed with no load</b>	32 feet per minute (9.8 meters per minute)	16 feet per minute (4.9 meters per minute)
<b>Actual Pulling Power</b>	1800 lbs (817 kg)	3500 lbs (1588 kg)

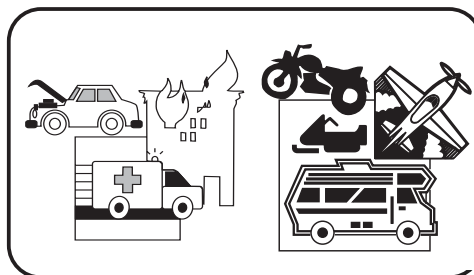


Model G1800E



Utility Workers

Boatyards



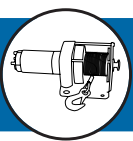
Rescue Workers

Recreation



Forestry Landscaping

Hunting



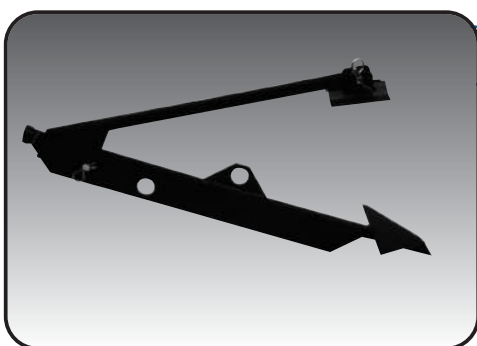
# Winches - Gas Powered Accessories



Model W-132

## Nylon Tie Down/Carry Strap

**Model W-132** (Included with gas winch) 2" x 6' (51mm X 1.8m)



Model G220

## Ground Anchor

**Model G220** 24" x 17" (610mm x 432mm)



Model G247

## Cable Tie Down

**Model G247** Cable Tie Down with 2 Hooks  
5/16" x 6' (7.9mm x 1.8m)



Model W-137

## Extension Cable

**Model W-137** Extension Cable with 1 Hook  
1/4" x 50' (6.4mm x 15.2m)

## Pulley Block

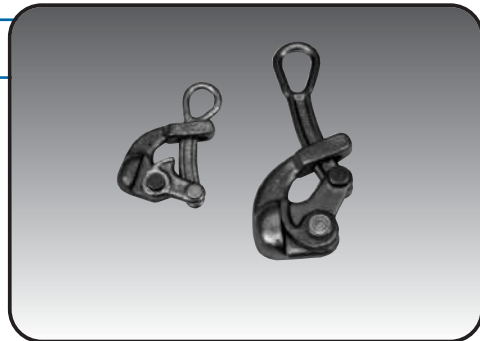
**Model W-131C** Pulley Block



Model W-131C

## Cable Pulling Clamps

**Model G230** pulls 1/16" (1.6mm) to 1/4" (6.4mm) cable  
**Model G231** pulls 1/8" (3.2mm) to 1/2" (12.7mm) cable



Model G230

Model G231

## Fuel Bottle With Spout

**Model W-140** 32 fl. oz. (946 ml)



Model W-140

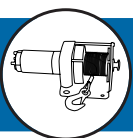
## Nylon Tow Strap

**Model W-133** 2" x 6' (51mm x 1.8m)  
**Model W-135** 2" x 30' (51mm x 9.1m)

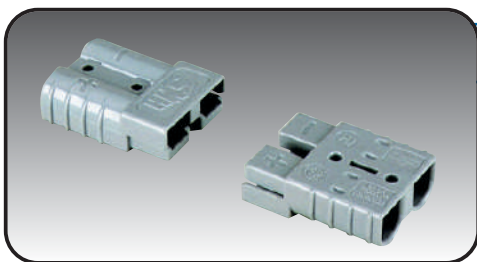


Model W-133





# Winches - General Accessories



Model W-118

## Cable Disconnect Kits

Especially useful in trailer applications. Heavy duty plastic with silver coated connectors allows user to connect or disconnect both battery cables at the hitch area.

**Model W-118PK** For Rule 1400, 1600, 2000, 2500, 3300, and 4200 series winches accommodates 6 (4.1mm) 8 (3.3mm), 10 (2.6mm), 12 (2mm) gauge cables

**Model W-119PK** For Rule 6000 and 8400 series winches  
Accommodates 1 - 4 (7.3 - 5.2mm) gauge cables



Model W-138PK

## Winch Covers

Attractive cover protects winches from weather

**Model W-139** For standard drum models

**Model W-138** For extended drum models (E suffix)



Model W-120

## Remote Location Rotary Switch Kit

Allows rotary switch on winch to be moved to a remote station. Includes two 10' (3.1m) cables and switch plate.

**Model W-120** For Rule 1400, 1600, 2000, 2500, 3300, and 4200 series winches accommodates 6 (4.1mm) 8 (3.3mm), 10 (2.6mm), 12 (2mm) gauge cables



Model W-121

## Remote Control Kits

Converts from motor switch control to solenoid control. Includes solenoid control box, remote control handle with 10' (3.1m) cord, two 2.5' (.76m) control box to winch leads, plus wiring harness which connects control box to battery.

**Model W-121** For 12 volt vehicle winches

**Model W-121-24V** For 24 volt vehicle winches

Wiring harness for vehicle winches includes 5' (1.5m) battery lead and 5' (1.5m) ground lead.

**Model W-123** For 12 volt trailer winches

**Model W-123-24V** For 24 volt trailer winches

Wiring harness for trailer winches includes 25' (7.6m) battery lead and 8' (2.4m) ground lead.



Model W-197

## Roller Fairlead Kits

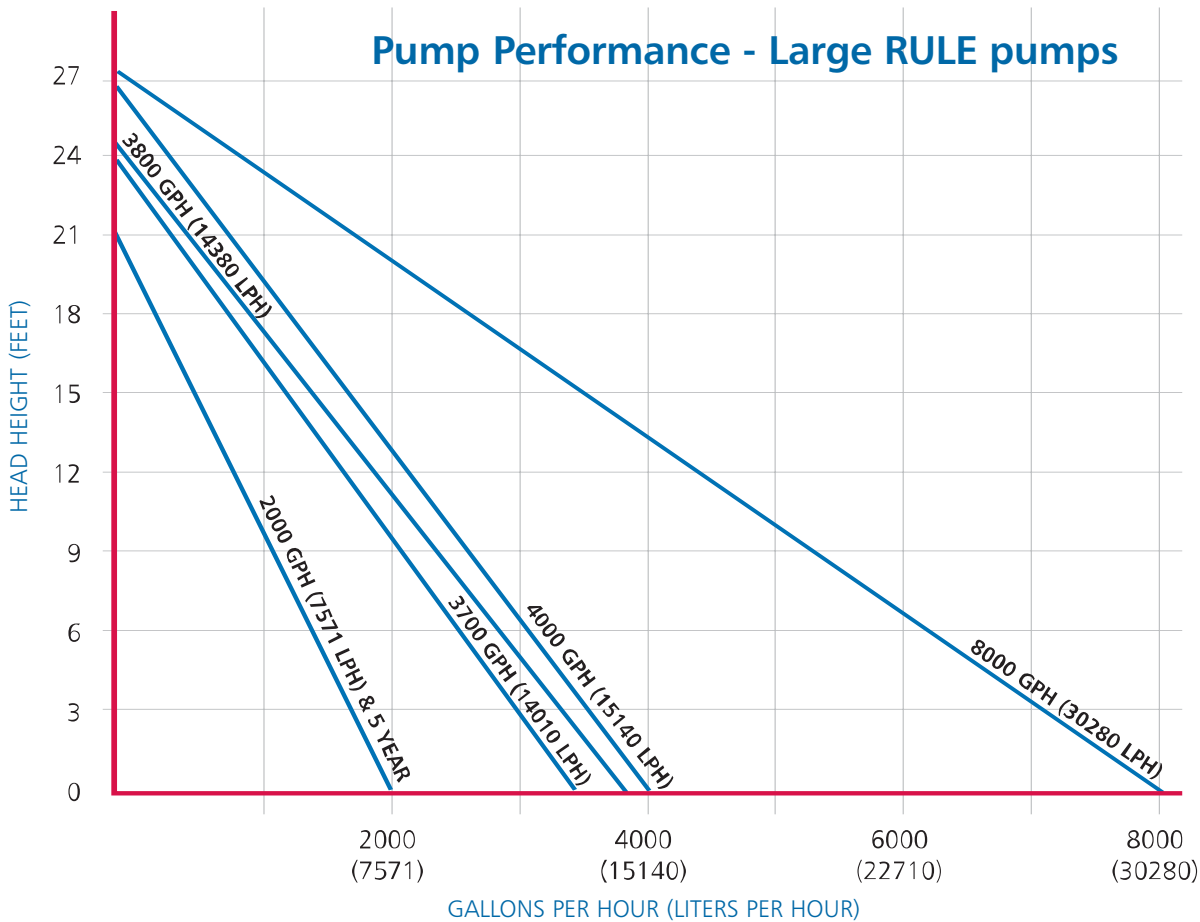
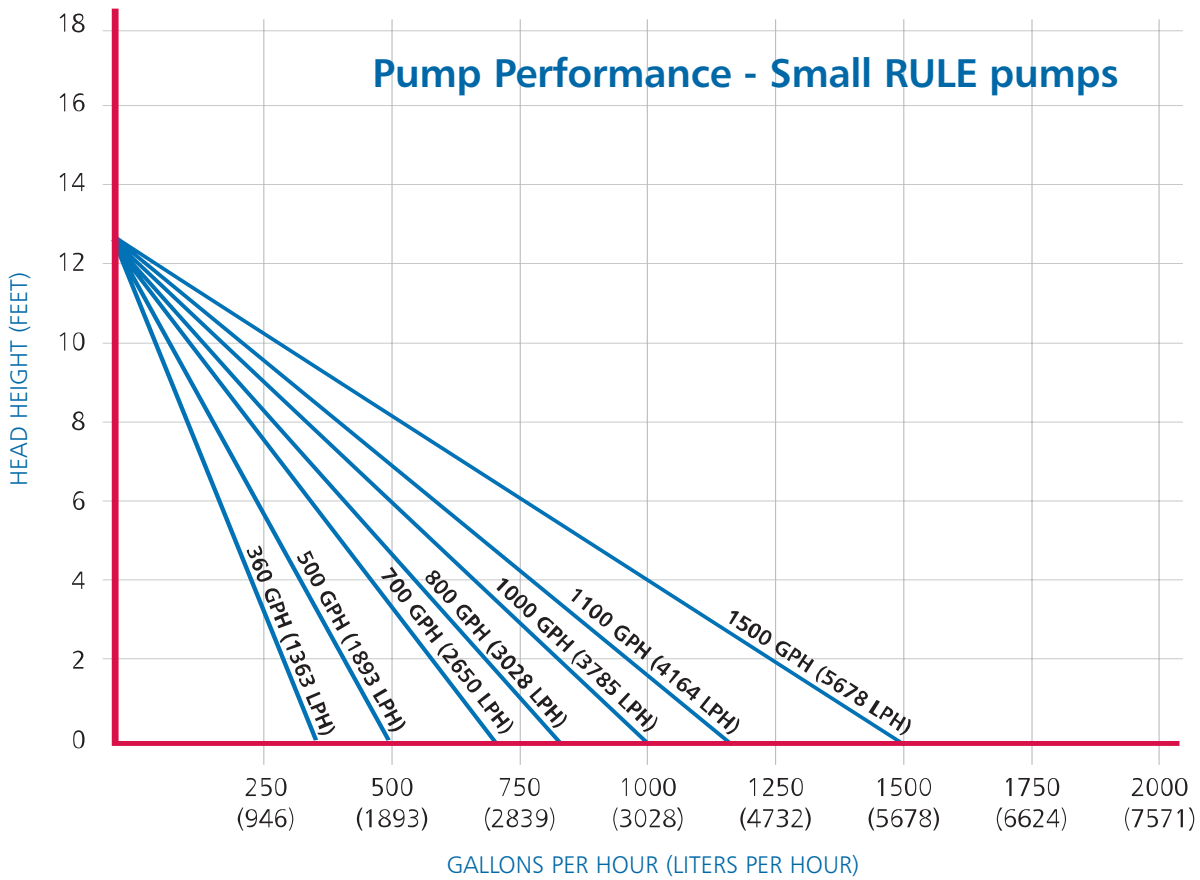
Reduce cable wear when winching at severe angles

**Model W-197** For standard drum winches

**Model W-198** For extended drum winches (E suffix)



# Pumps - Bilge Performance Curves





Pumps



Switches



Compasses



In-Line Blowers



Boat Care



Winches



Check out the collection of boat plumbing we offer.