



a xylem brand

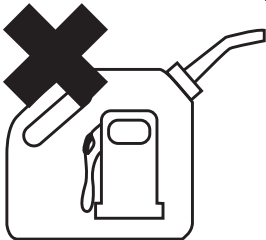
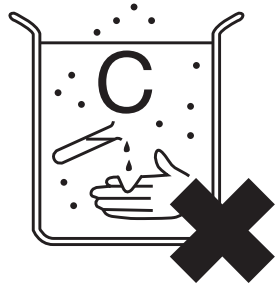
Fully Automatic Bilge Pump

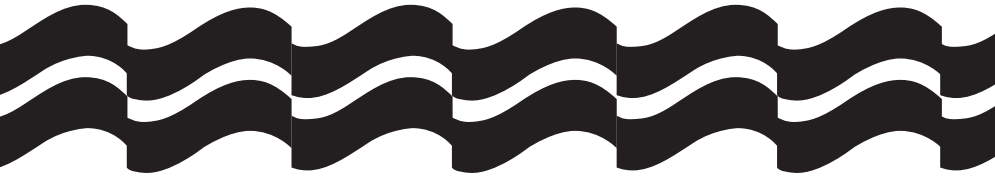
INSTRUCTION MANUAL

 **WARNING**



This pump is designed for use with fresh water and salt water ONLY. Use with any other hazardous, caustic, or corrosive material could result in damage to the pump and the surrounding environment, possible exposure to hazardous substances and injury.





How Fully Automatic Bilge Pumps Work:

Rule Automatic bilge pumps eliminate the need for a separate float switch to activate the pump. Once power is supplied, starting and stopping is completely automatic. The pump checks for water every 2 ½ minutes by turning on for a second and measuring load against the impeller. If water is present, the pump remains on until the water is removed. Thereafter the pump resumes its 2 ½ minute check cycle. The automatic pumps feature two positive leads: an automatic (brown) and a manual override (brown with a white stripe).

All mounting holes must be sealed with a marine grade sealant to prevent water intrusion.



Install to ABYC standards
H-22 and E11

CE Logo

When this product carries a CE mark, it conforms to one or more of the following standards: EN 50081-1 & EN 50082-1 / EN 50082-1

Following the Provisions of the
Electromagnetic Compatibility
Directive 89/336/EEC

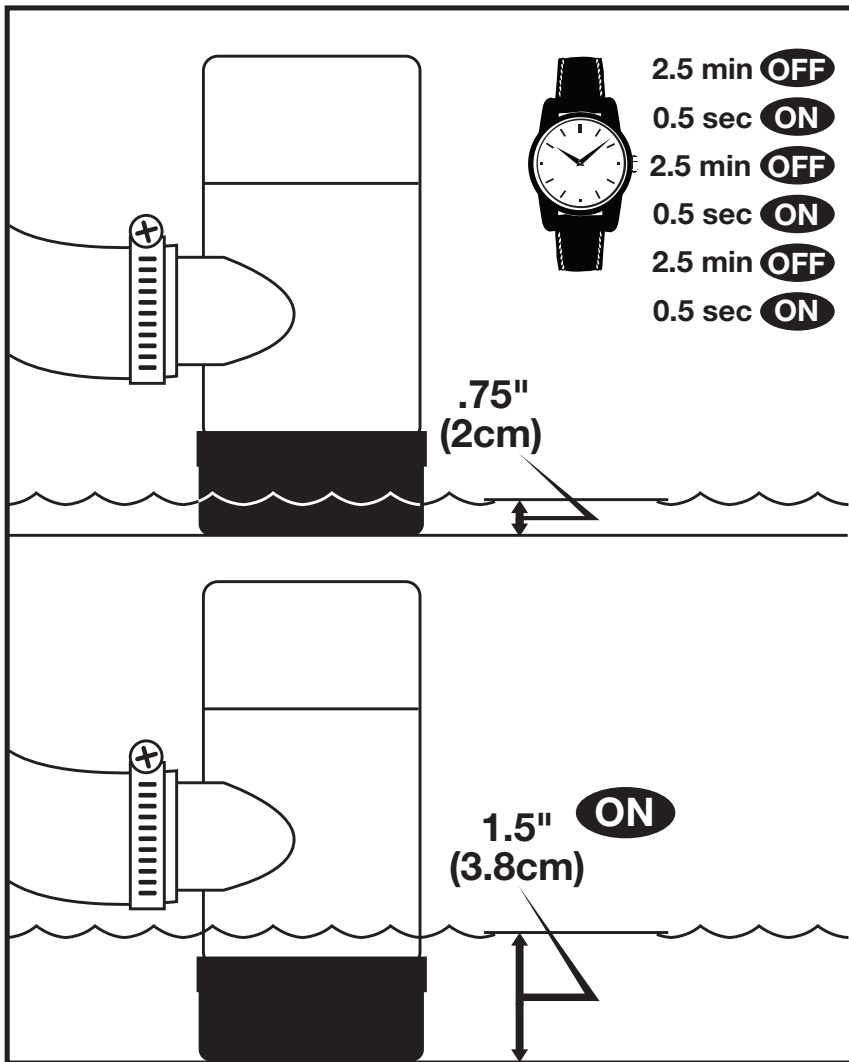
ISO 8846 / Electrical Devices Protection
Against Ignition of Surrounding
Flammable Gases

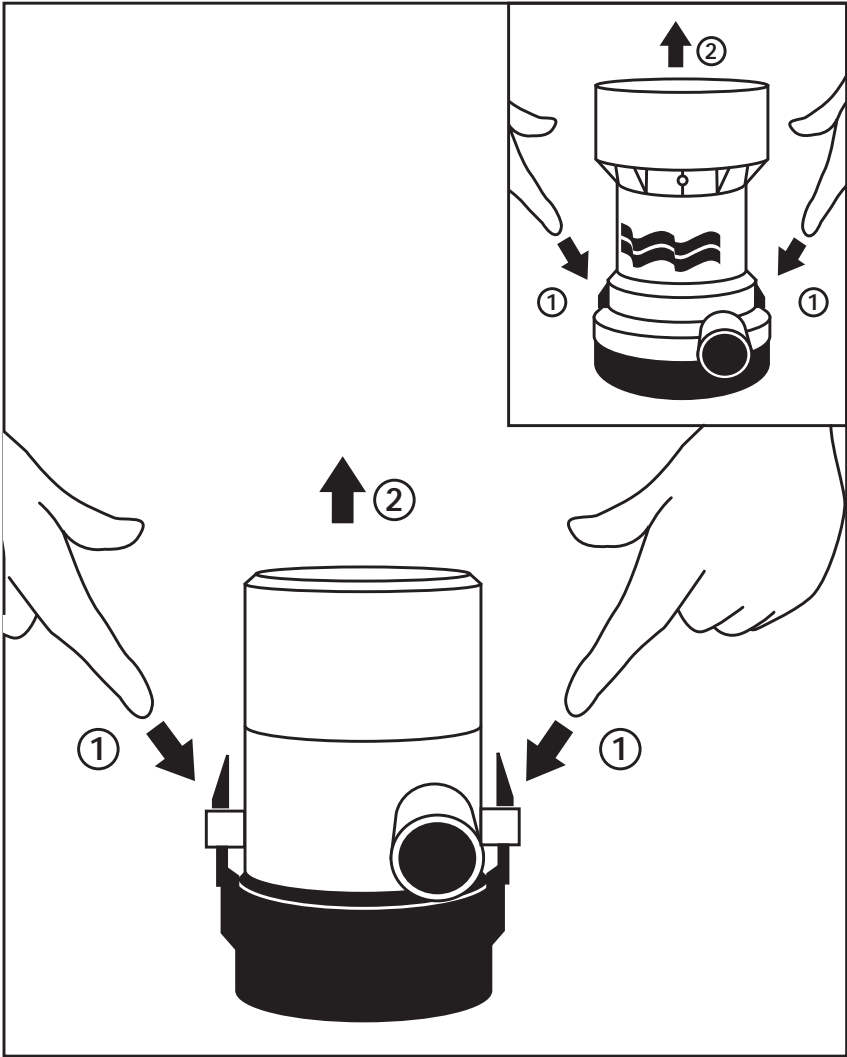
ISO 10133 / Electrical Systems - Extra Low
Voltage D.C. Installations Following
the Provisions of the Recreation Craft
Directive 94/25/EEC

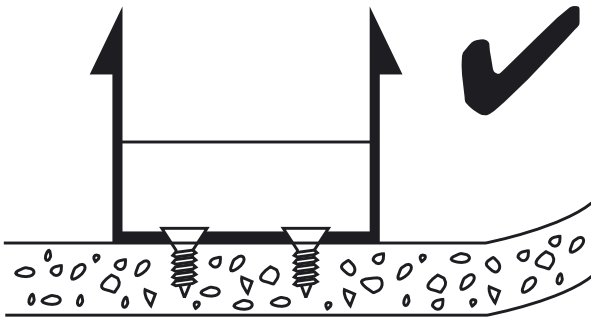
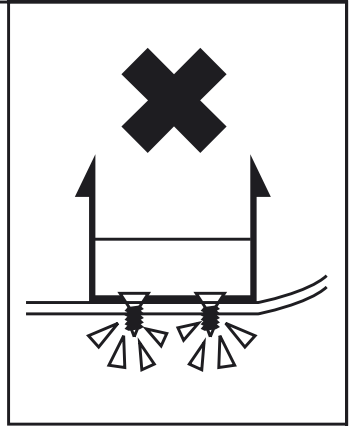
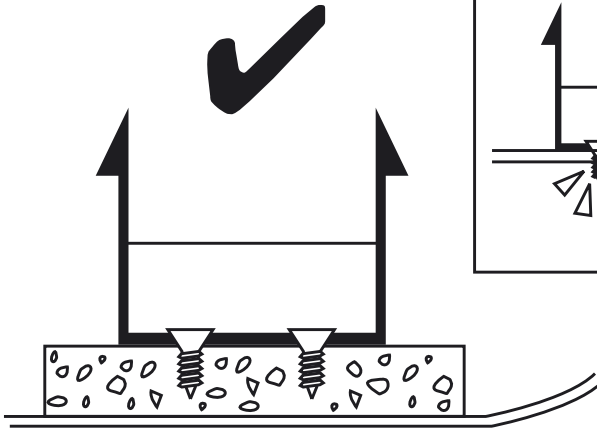
 CAUTION

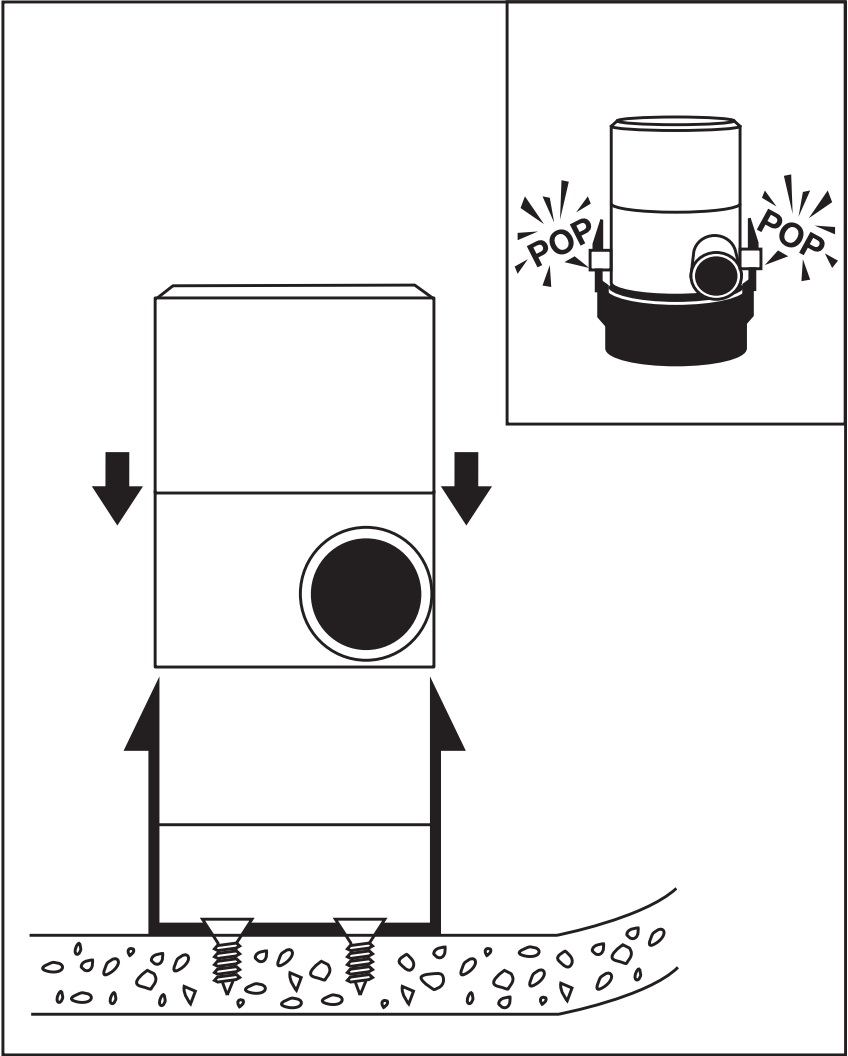


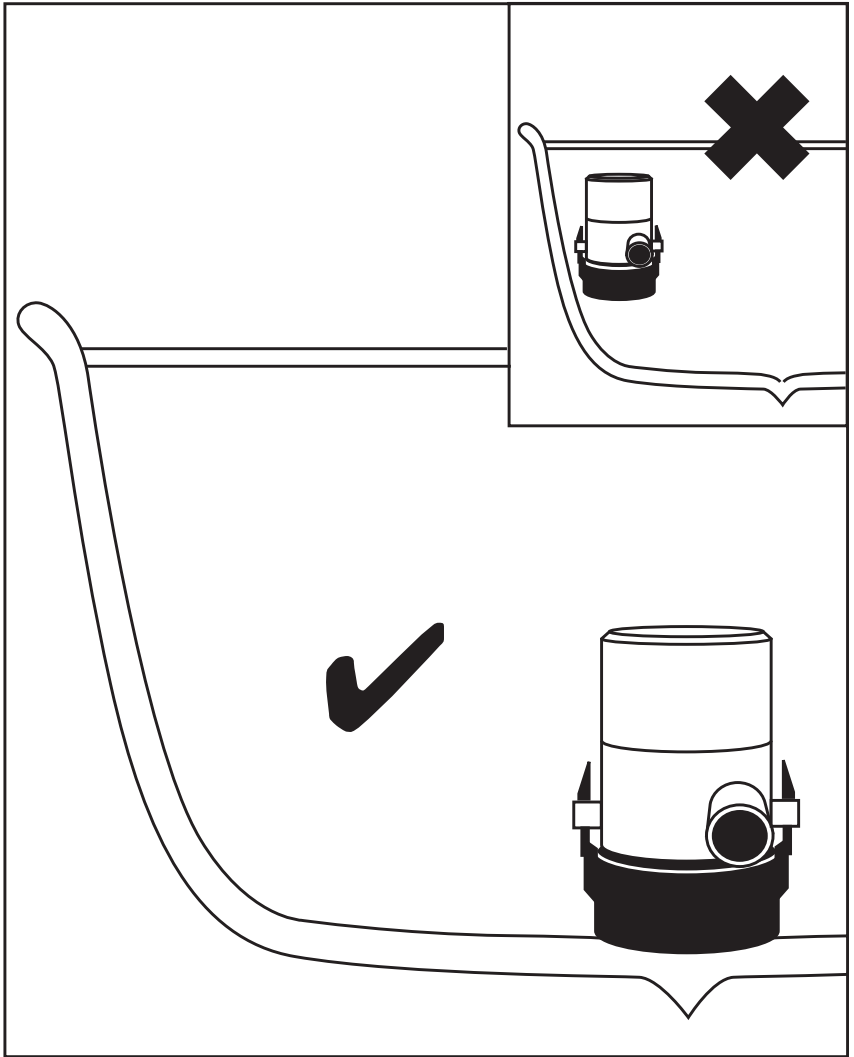
Disconnect power from the system before working on the unit to avoid personal injury, damage to the surrounding environment and/or damage to the unit.

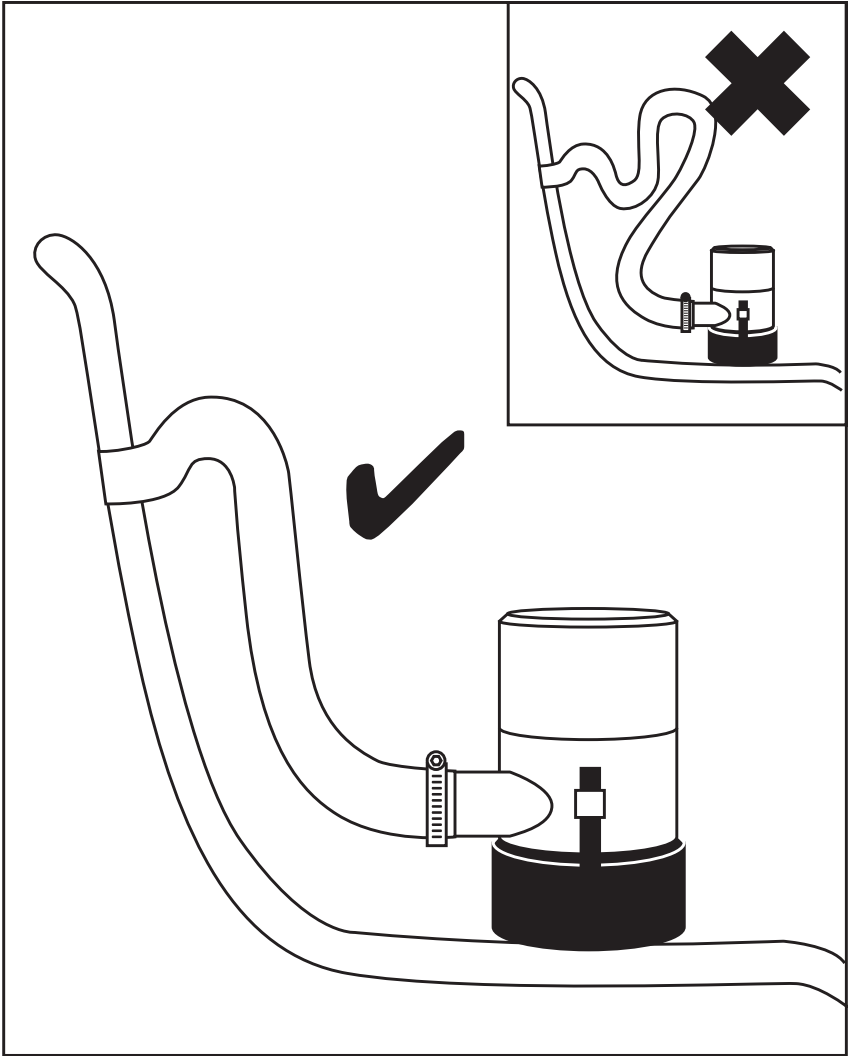


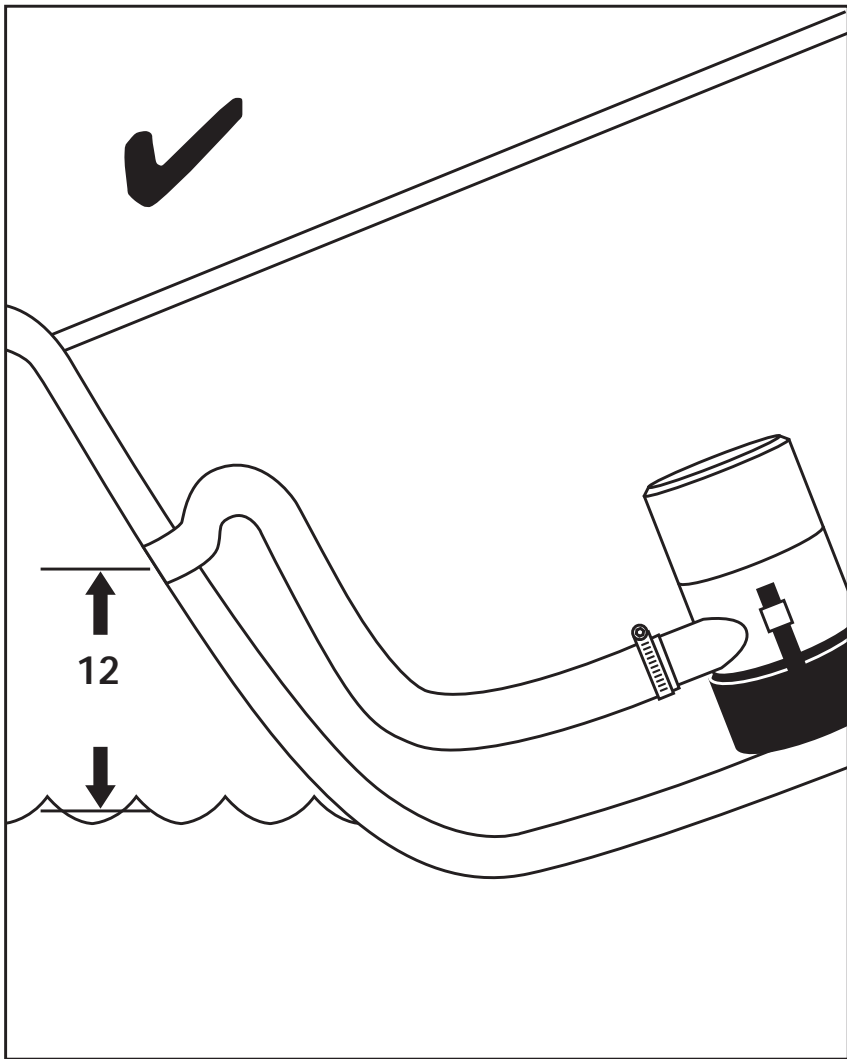


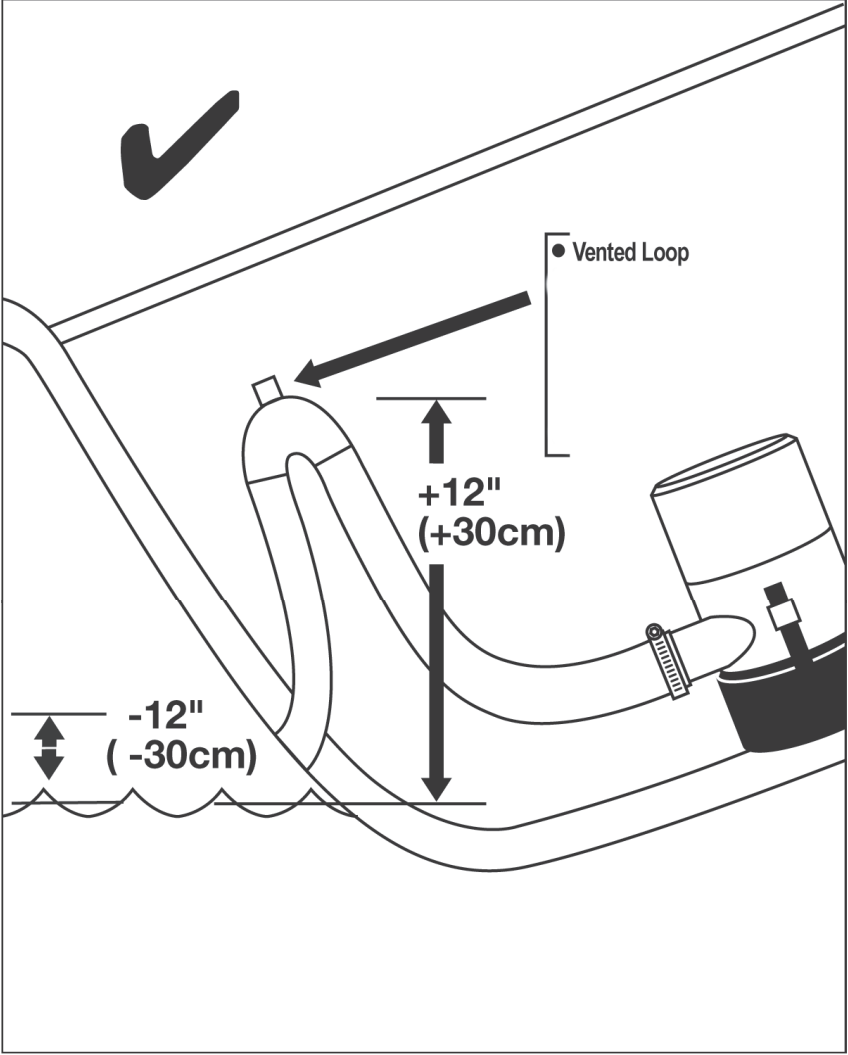










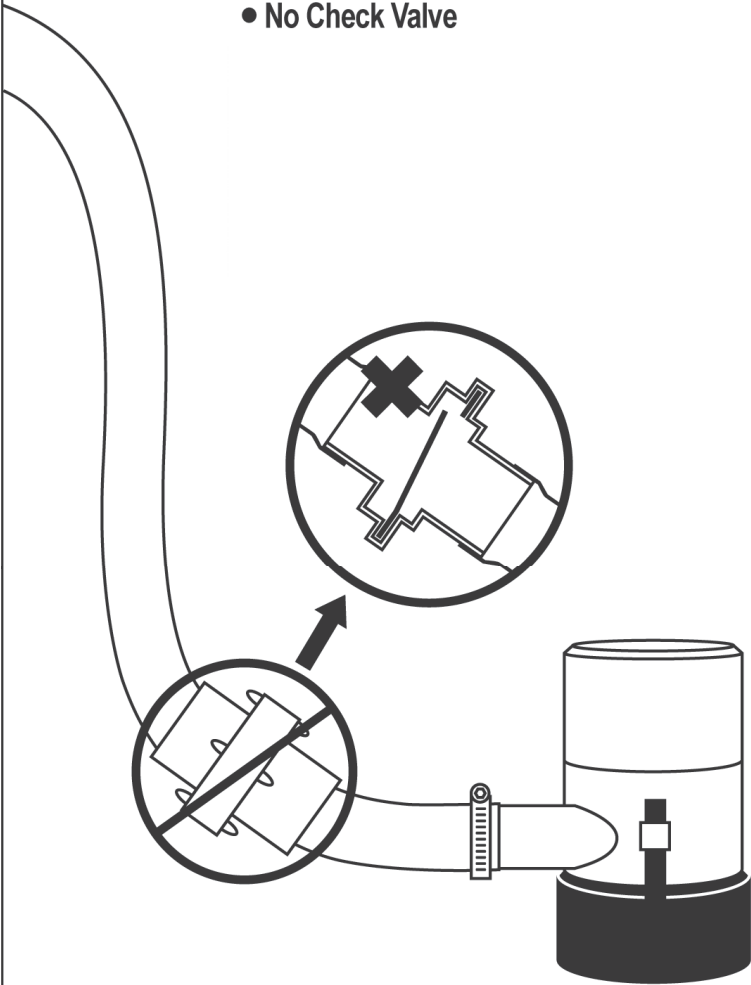


• Vented Loop

+12"
(+30cm)

-12"
(-30cm)

• No Check Valve





⚠ CAUTION

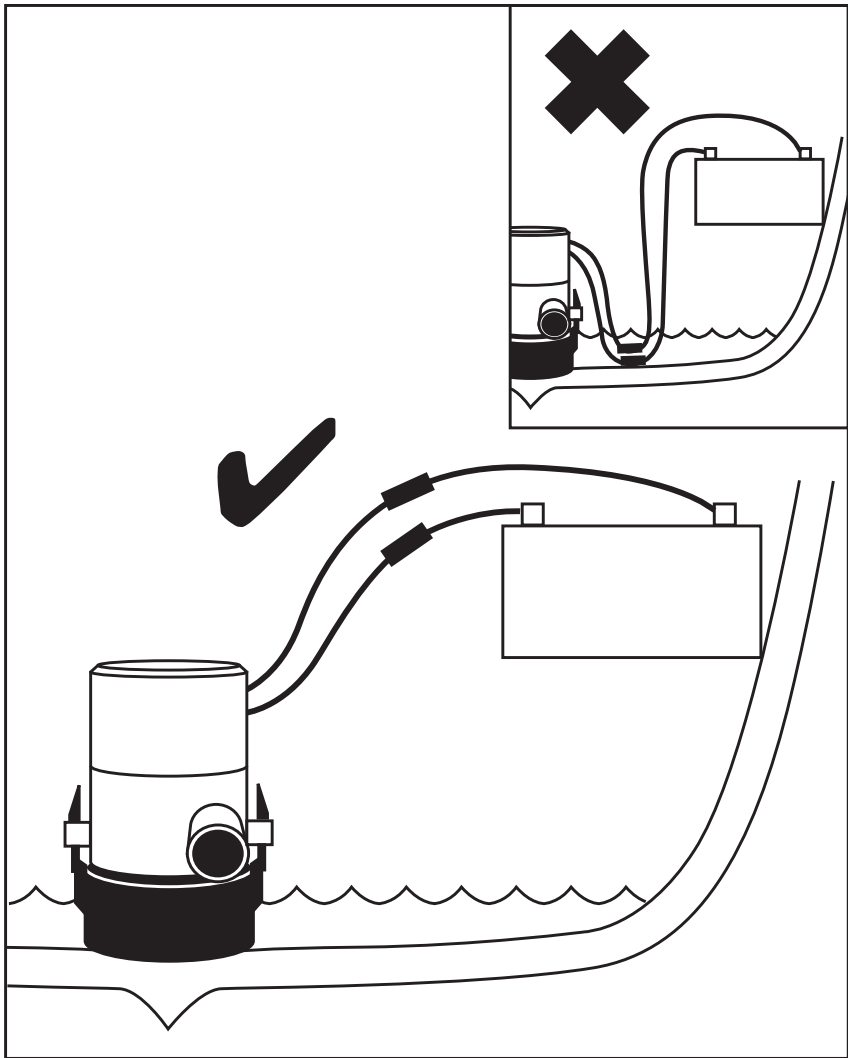
Always install proper fuse size to prevent damage to product should a short occur. Failure to install proper fuse could increase risk of pump malfunction potentially resulting in personal injury and/or fire hazard.

⚠ CAUTION

Keep all wire connections above the highest water level. Wires must be joined with butt connectors and a marine grade sealant to prevent wire corrosion.

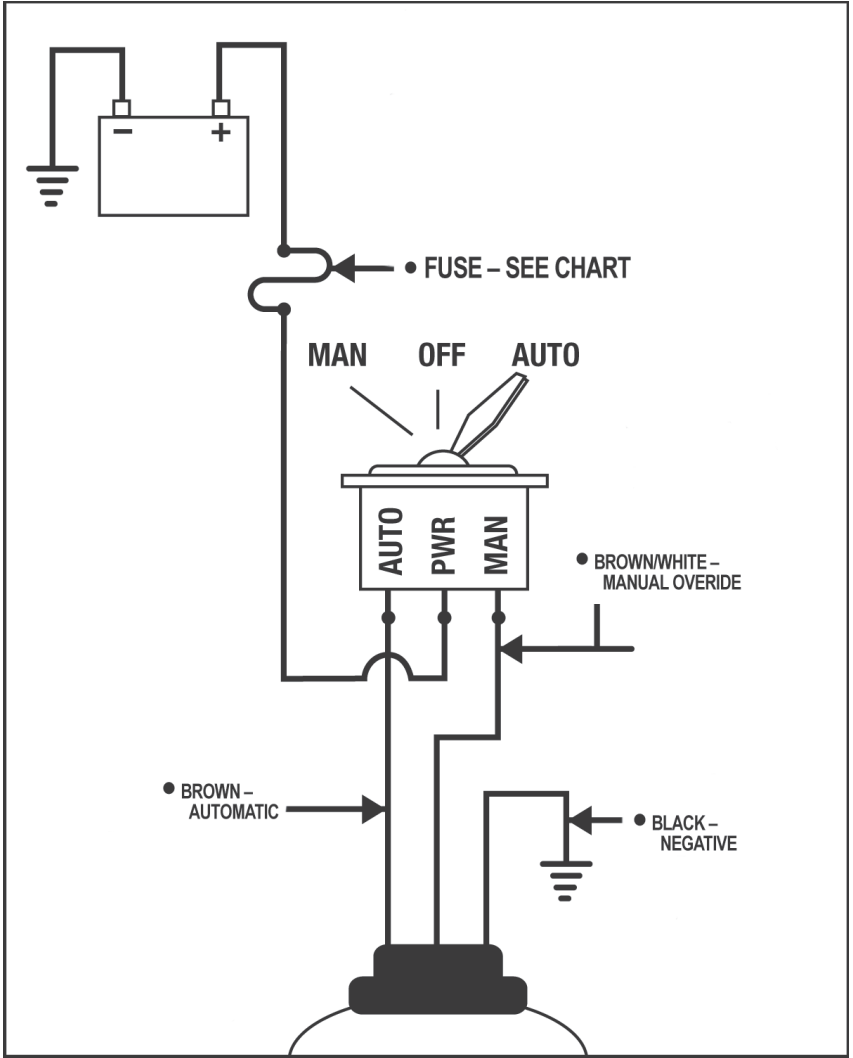
Rated Flow	Open Flow Output @ 0ft/0m (0 kPa) GPH (LPH)	Open Flow Output @ 3.35ft/1m (10 kPa) GPH (LPH)	Open Flow Output @ 6.7ft/2m (20 kPa) GPH (LPH)
500	500 (1892)	360 (1362)	260 (984)
800	800 (3028)	615 (2328)	425 (1608)
1100	1100 (4164)	860 (3255)	550 (2081)
1500	1500 (5678)	1200 (4542)	680 (2574)
2000	2000 (7570)	1620 (6132)	1300 (4921)
3700	3700 (14006)	2900 (10977)	2450 (9274)
4000	4000 (15142)	3527 (13351)	2952 (11174)
8000	8000 (30283)	7050 (26687)	5984 (22651)

Note: Output is based on 10 hour break-in period and at 13.6V (12V models) or 27.2V (24V models)



A	B	C	D	E	F
GPH (LPH)	Model	Volts	Amps (Volts)	Amps (Volts)	Fuse Size

A	B	C	D	E	F
500 (1893)	25S	12DC	1.9 (12v)	2.5 (13.6v)	3.0
500 (1893)	25S-6	12DC	1.9 (12v)	2.5 (13.6v)	3.0
500 (1893)	25S-24	24DC	0.9 (24v)	1.3 (27.2v)	1.5
800 (3028)	20RS	12DC	2.8 (12v)	4.0 (27.2v)	5
1100 (4164)	27S	12DC	3.3 (12v)	5.0 (13.6v)	5
2000 (7571)	53S	12DC	8.4 (12v)	12.0(13.6v)	15
3700 (14010)	55S	12DC	15.5 (12v)	20.0 (12v)	25
4000 (15140)	56S	12DC	15.5 (12v)	20.0 (12v)	25
8000 (30280)	174S	12DC	15.5 (12v) (2 Each)	20.0 (12v) (2 Each)	25 (2 Each)





CE Logo

When this product carries a CE mark, it conforms to one or more of the following standards:

EN 61000-6-1:2001 EN 61000-6-3:2007

Following the Provisions of the Electromagnetic Compatibility Directive 2004/108/EC

ISO 8846 / Electrical Devices Protection Against

Ignition of Surrounding Flammable Gases

ISO 8849:2003 / Electrically Operated Bilge Pumps

ISO 10133 / Electrical Systems - Extra Low Voltage D.C. Installations Following the Provisions of the Recreation Craft Directive 94/25/EEC

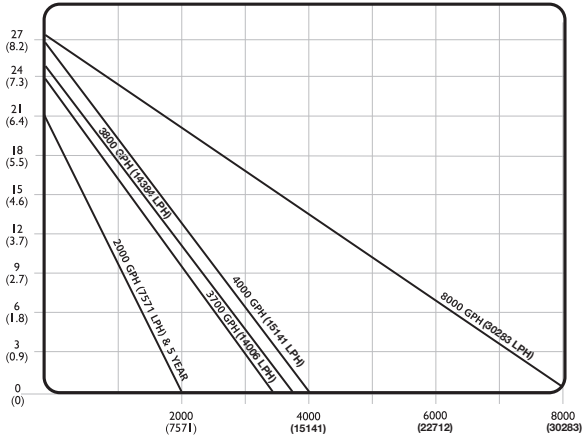
CAUTION



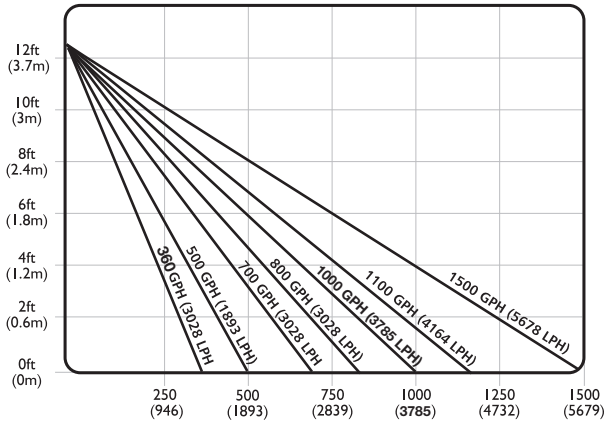
Disconnect power from the system before working on the unit to avoid personal injury, damage to the surrounding environment and/or damage to the unit.

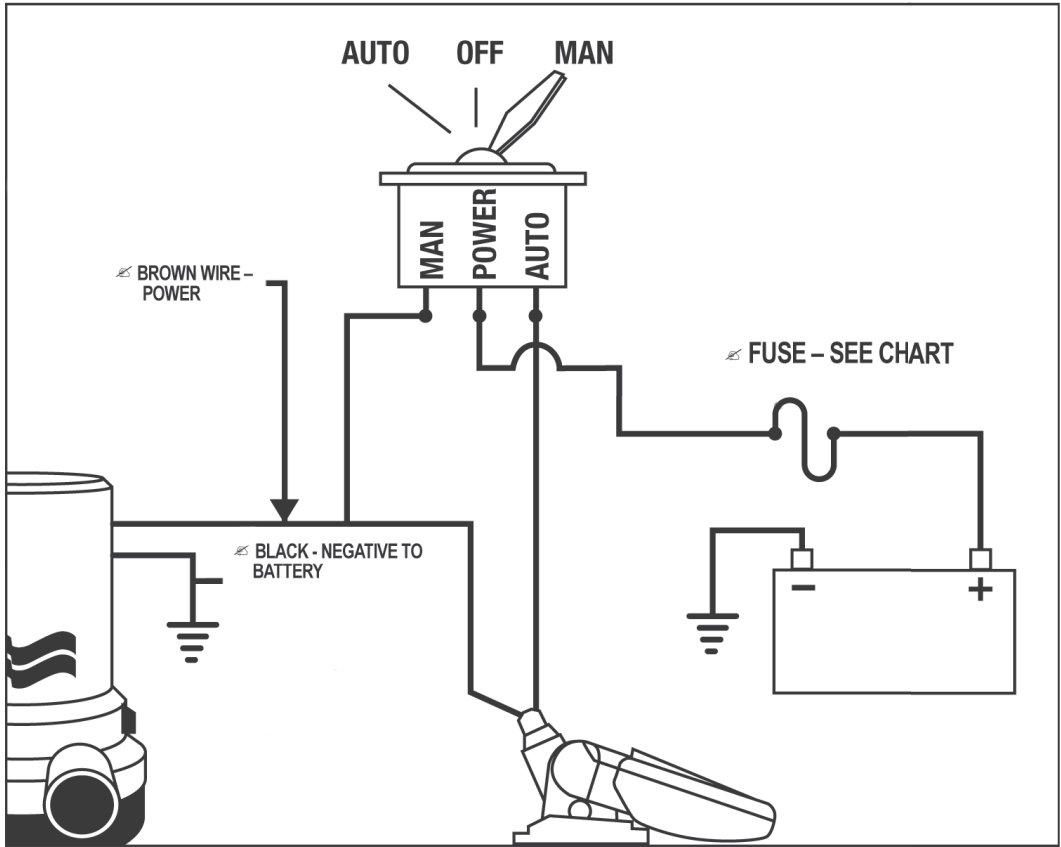
Rated Flow	Open Flow Output @ 0ft/0m (0 kPa) GPH (LPH)	Open Flow Output @ 3.35ft/1m (10 kPa) GPH (LPH)	Open Flow Output @ 6.7ft/2m (20 kPa) GPH (LPH)
360	360 (1362)	265 (1003)	190 (719)
500	500 (1892)	360 (1362)	260 (984)
700	700 (2649)	562 (2127)	330 (1249)
800	800 (3028)	615 (2328)	425 (1608)
1000	1000 (3785)	725 (2744)	450 (1703)
1100	1100 (4164)	860 (3255)	550 (2081)
1500	1500 (5678)	1200 (4542)	680 (2574)
2000	2000 (7570)	1620 (6132)	1300 (4921)
3700	3700 (14006)	2900 (10977)	2450 (9274)
4000	4000 (15142)	3527 (13351)	2952 (11174)
8000	8000 (30283)	7050 (26687)	5984 (22651)
<p>Note: Output is based on 10 hour break-in period and at 13.6V (12V models) or 27.2V (24V models)</p>			

Pump Performance - Large RULE Pumps



Pump Performance - Small RULE Pumps





Check out the collection of boat plumbing we offer.