



The Evacuator Series presents many advantages over current offerings.

HIGH EFFICIENCY PORTABLE UTILITY PUMPS

Rule your dewatering! Backed by the Rule brand of DC pumps, a brand enjoying over 45 years of operational excellence, the Evacuator series is a new line of high efficiency portable utility pumps.

Providing a robust 2000 GPH, a capable 4000 GPH, or a sizeable 8000 GPH, the Evacuator series provides a perfect collaboration between size and functionality. The series offers smaller and lighter form factors than comparable pumps. The innovative power connection, which allows for direct operation from your vehicle's 12 volt battery via two heavy duty battery clips, provides flexibility for use in work environments requiring fast, efficient removal of water.

Perfect for dewatering and drainage applications:

- Construction sites dewatering
- Foundation trenches dewatering
- General "off grid" dewatering situations
- Basement drainage
- Pool drainage
- Bunker drainage on golf courses
- Emergency boat drainage
- Sewer system flood water removal

Evacuator Series Features and Benefits

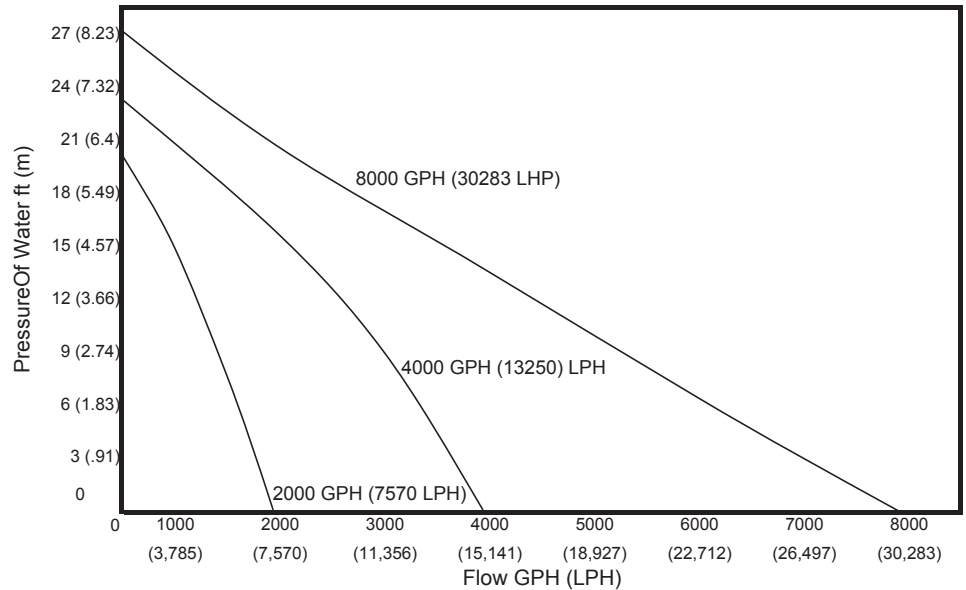
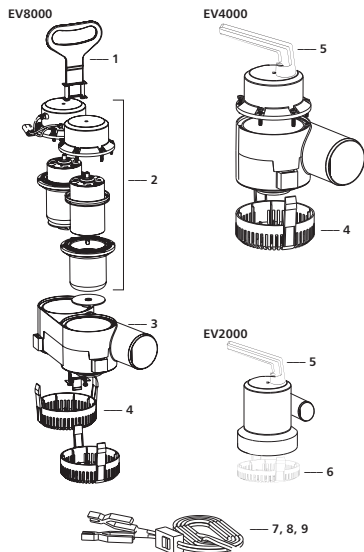
- Harsh environment DC motor technology, proven in over 15 million operational units
- Direct operation from a 12 volt vehicle battery, providing flexibility in location and use
- Extended dry run time capability, preventing pump damage due to inconsistent water flow
- Thermal overload, ensuring motor protection in the event of a locked rotor
- Integrated on/off switch in supplied cabling, providing operational convenience



rule
Innovation
a xylem brand

Evacuator Series HIGH EFFICIENCY PORTABLE UTILITY PUMPS

Specifications	EV2000	EV4000	EV8000
Voltage	12 Vdc	12 Vdc	12 Vdc
Flow	2000 GPH (7570 LPH)	4000 GPH (113250 LPH)	8000 GPH (30283 LPH)
Flow with included hose adaptor	1700 GPH (6435 LPH)	N/A	N/A
Amp. Draw	12 amps (approx.)	20 amps (approx.)	30 amps (approx.)
Protection	Thermal Cut Off (TCO)	Thermal Cut Off (TCO)	Thermal Cut Off (TCO) for each motor
Port Configuration	1.125 inch outlet (35 mm) (includes adaptor for 3/4" garden hose thread)	2 inch outlet (51 mm)	3 inch outlet (76 mm)
Height	8" (203 mm)	10.5" (267 mm)	8.5" (215 mm)
Width	6" (152 mm)	5.5" (140 mm)	12" (305 mm)
Length	6.5" (165 mm)	7" (178 mm)	13.5" (343 mm)
Pump Weight	3 lbs (1.4 kg)	5.5 lbs (2.5 kg)	11 lbs (5 kg)
Cable Weight	3 lbs (1.4 kg)	3 lbs (1.4 kg)	4.5 lbs (2 kg)
Packaged Weight	7 lbs (3.2 kg)	9.5 lbs (4.3 kg)	18 lbs (8.2 kg)
Packaged Dimensions	15.5"L x 12.5"W x 10.5"H (394mm x 317mm x 267mm)	15.5"L x 12.5"W x 10.5"H (394mm x 317mm x 267mm)	15.5"L x 12"W x 13.5"H (394mm x 305mm x 343mm)
Master Pack Qty.	1	1	1



Key	1	2	3	4	5	6	7	8	9
Description	EV8000 Handle & Strainer Clip	Motor Module [1]	Discharge Housing	EV8000/4000 Strainer [1]	EV4000/2000 Handle	EV2000 Strainer	EV8000 Wire Harness	EV4000 Wire Harness	EV2000 Wire Harness
Part No.	R-3001	R-3002	R-3003	R-3004	R-3007	R-3008	R-3005	R-3006	R-3009



Check out the collection of boat plumbing we offer.