



# Float Switch Instruction Manual



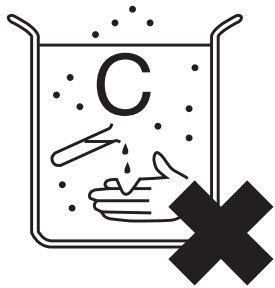
**xylem**  
Let's Solve Water

# rule<sup>®</sup>

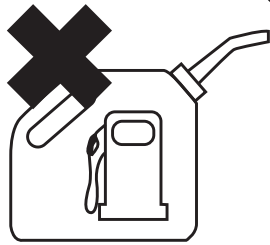
 **WARNING**

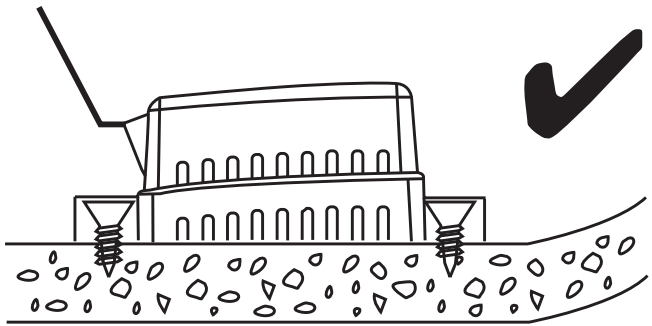
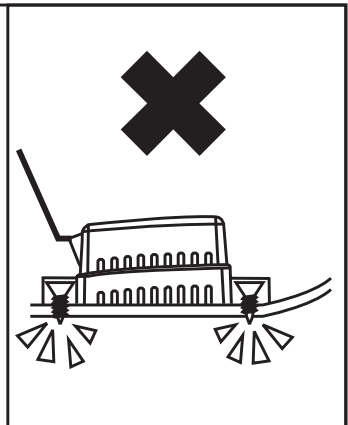
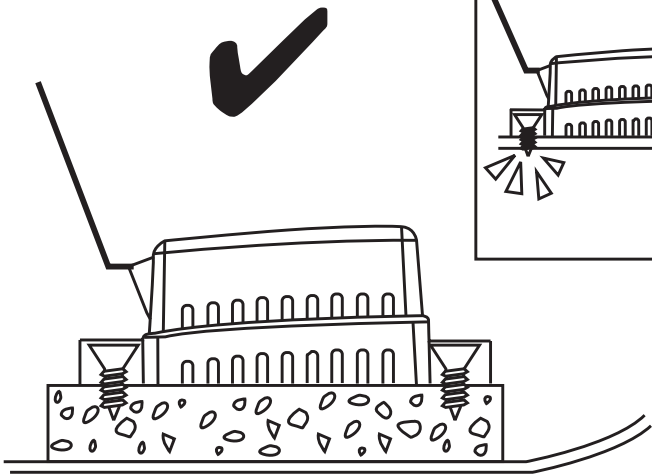


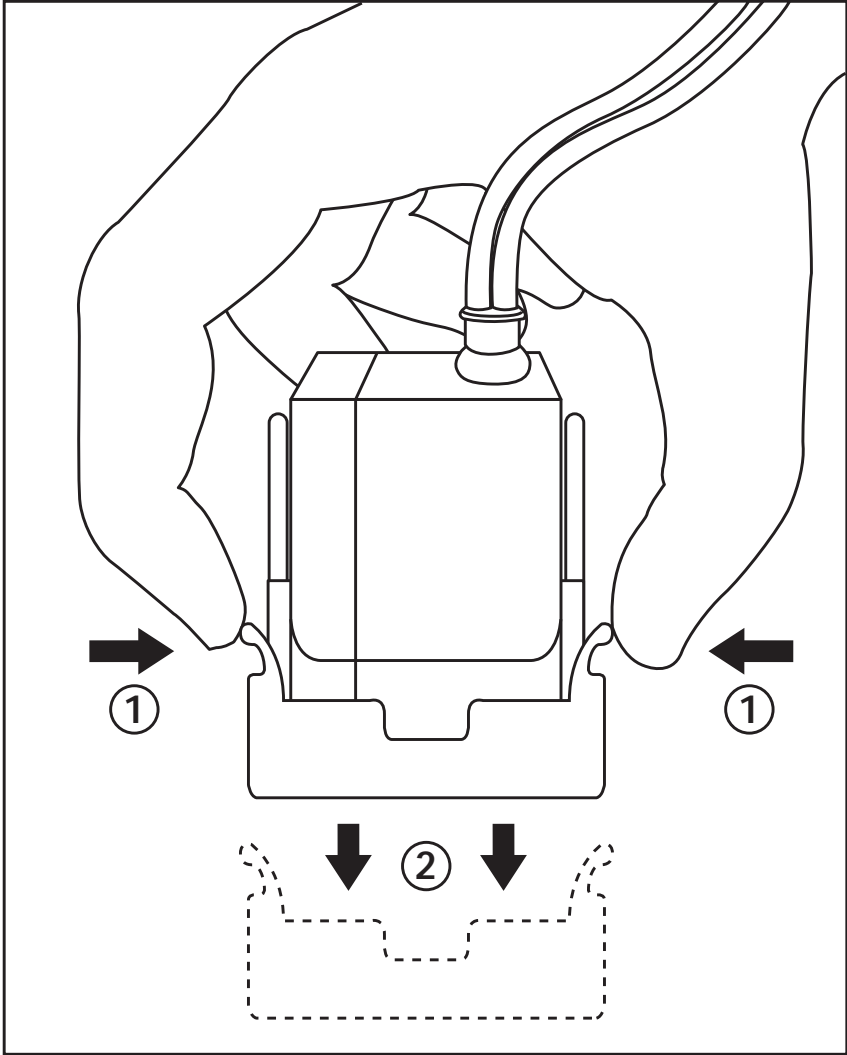
This unit is designed for use with fresh water and salt water ONLY. Use with any other hazardous, caustic, or corrosive material could result in damage to the pump and the surrounding environment, possible exposure to hazardous substances and injury.

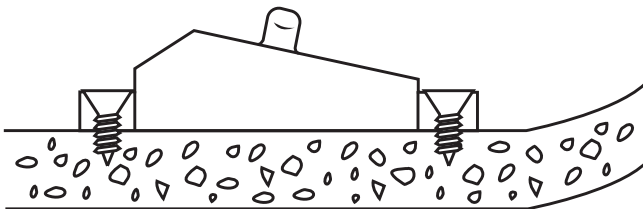
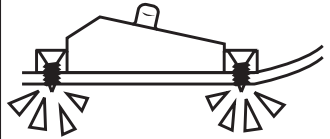
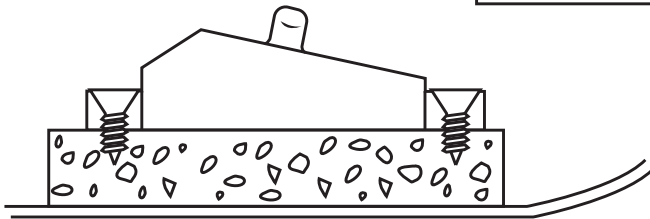


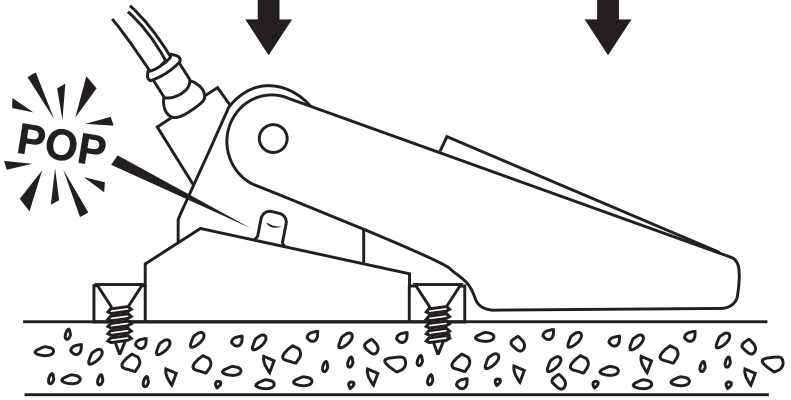
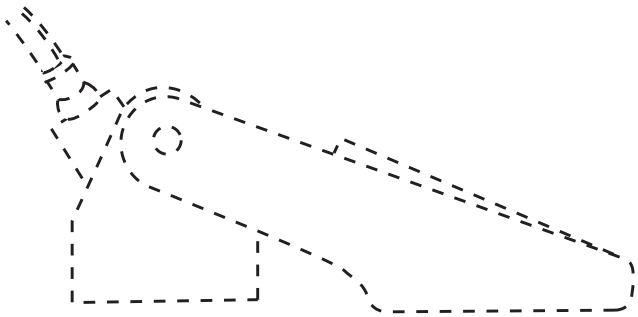
**STOP**

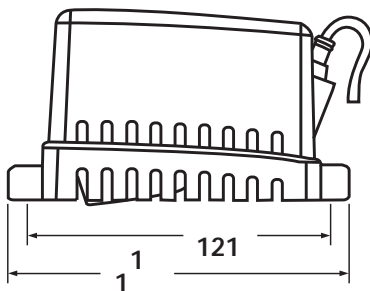
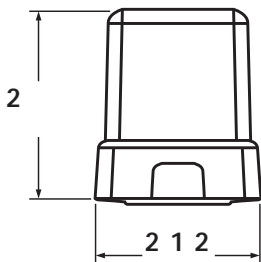
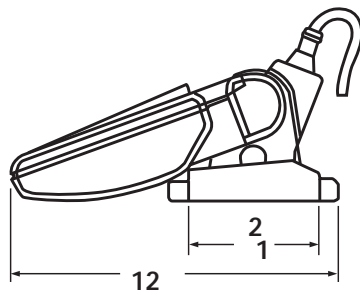
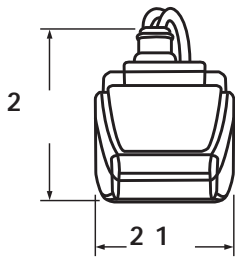
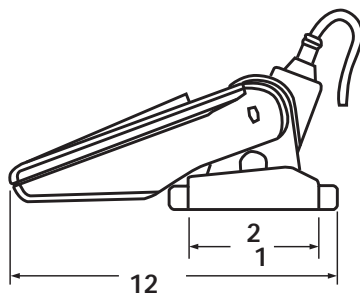
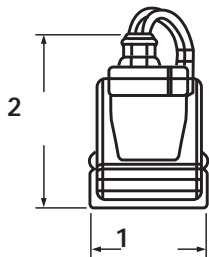














All mounting holes must be sealed with a marine grade sealant to prevent water intrusion.



Install to ABYC standards

**CE Logo**

When this product carries a CE mark, it conforms to one or more of the following standards: EN 61000-6-1:2001 EN 61000-6-3:2007

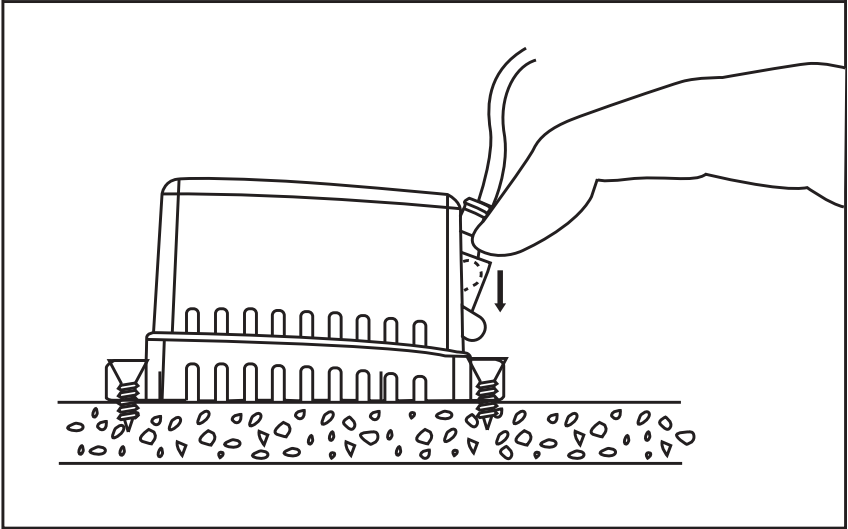
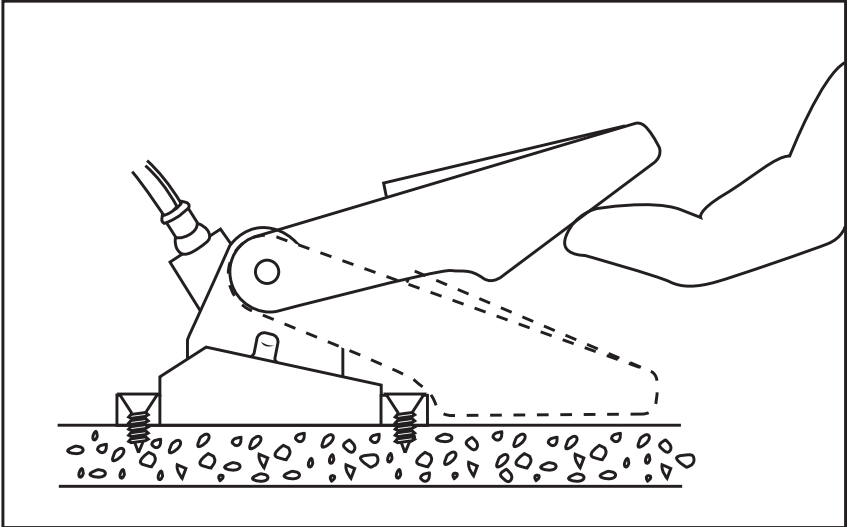
Following the Provisions of the Electromagnetic Compatibility Directive 2004/108/EC

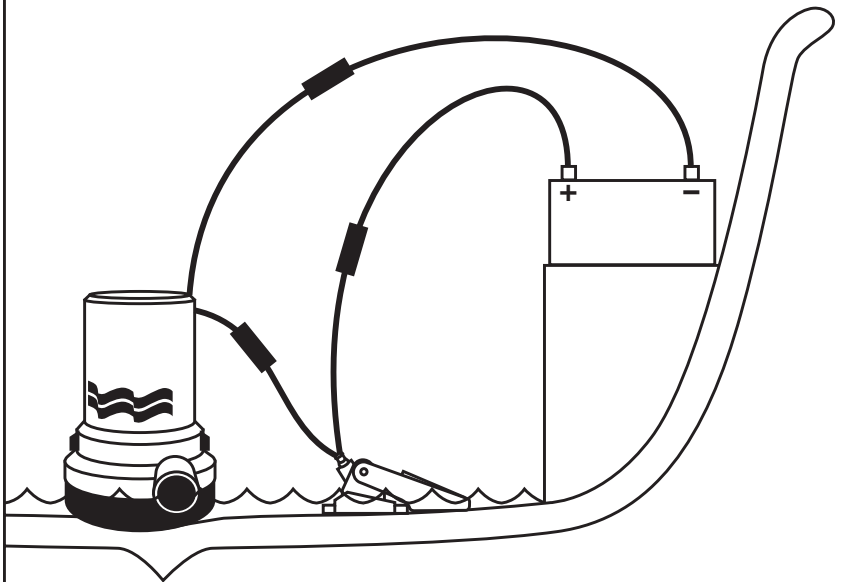
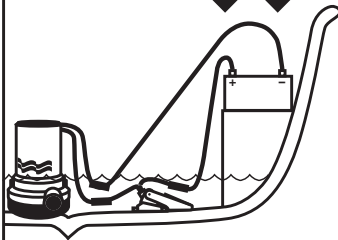
ISO 8846 / Electrical Devices Protection Against Ignition of Surrounding Flammable Gases

ISO 10133:2000 / Electrical Systems - Extra Low Voltage D.C. Installations Following the Provisions of the Recreation Craft Directive 94/25/EEC



# Testing the Float Switch





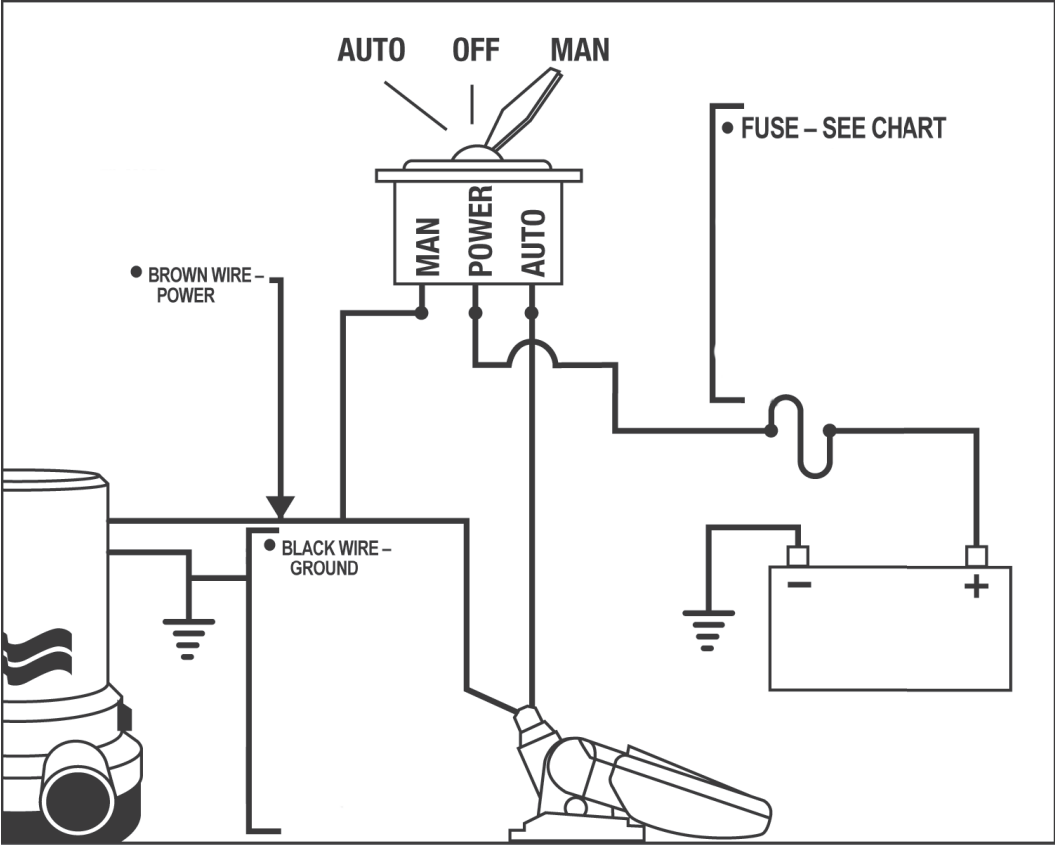
**CAUTION**

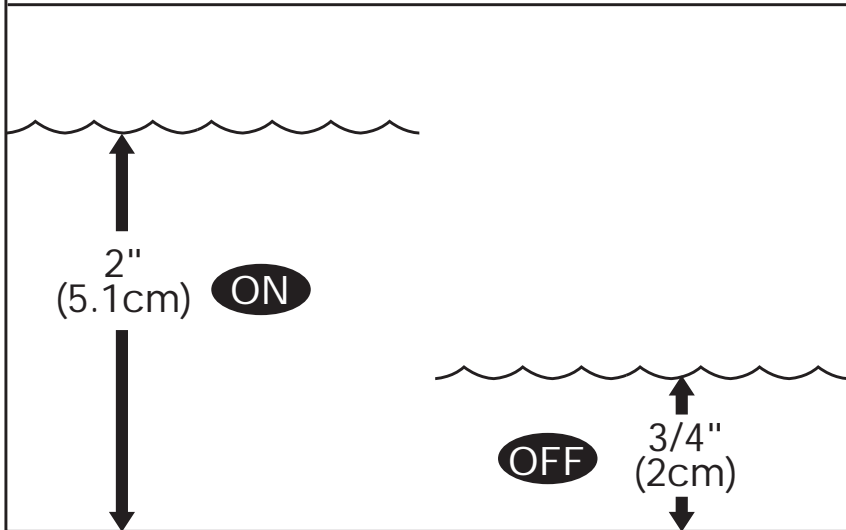
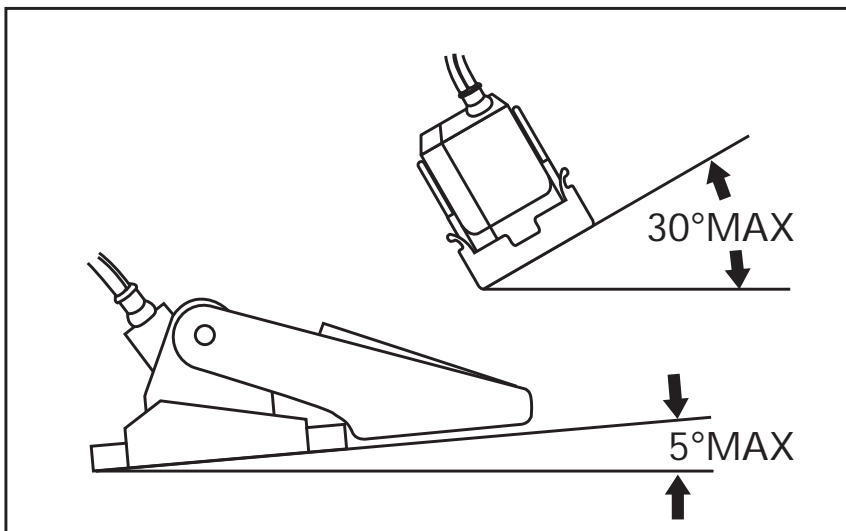
Always install proper fuse size to prevent damage to product should a short occur. Failure to install proper fuse could increase risk of pump malfunction potentially resulting in personal injury and/or fire hazard.

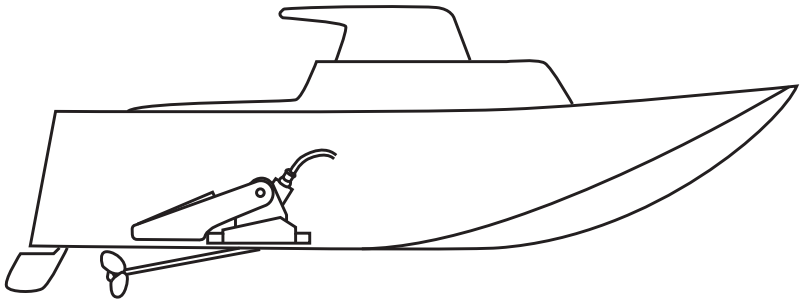
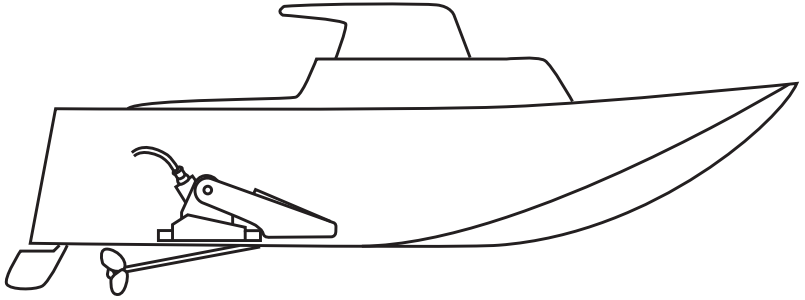
A	B	C	D	E	F	G
Model	Voltage	Wire Size	Wire Length	Max. Amps	Guard	Warranty (years)

A	B	C	D	E	F	G
35A	12/24VDC	16 Gauge (1.29mm)	28" (712mm)	14A (12v) 7A (24v)	No	2
37A	12/24/32VDC	14 Gauge (1.63mm)	28" (712mm)	20A(12v) 10A (24v) 6.5A (32v)	No	5
40A	12/24/32VDC	14 Gauge (1.63mm)	28" (712mm)	20A(12v) 10A (24v) 6.5A (32v)	Yes	2











**⚠ CAUTION**



Disconnect power from the system before working on the unit to avoid personal injury, damage to the surrounding environment and/or damage to the unit.

**⚠ CAUTION**



Switch must be mounted equal to or above the pump base for positive shut-off.

**⚠ CAUTION**



Keep all wire connections above the highest water level. Wires must be joined with butt connectors and a marine grade sealant to prevent wire corrosion.

Check out the collection of boat plumbing we offer.