




a xylem brand

---

# General Purpose Pump

## INSTRUCTION MANUAL

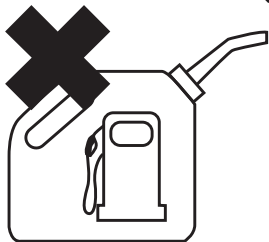
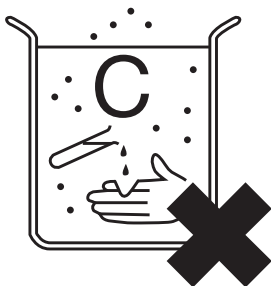
---

 **WARNING**




This pump is designed for use with fresh water and salt water ONLY. Use with any other hazardous, caustic, or corrosive material could result in damage to the pump and the surrounding environment, possible exposure to hazardous substances and injury.

CE

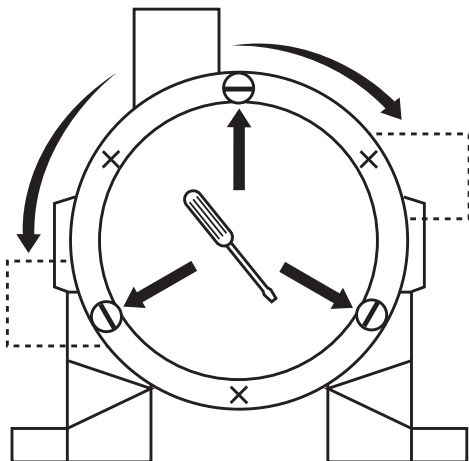


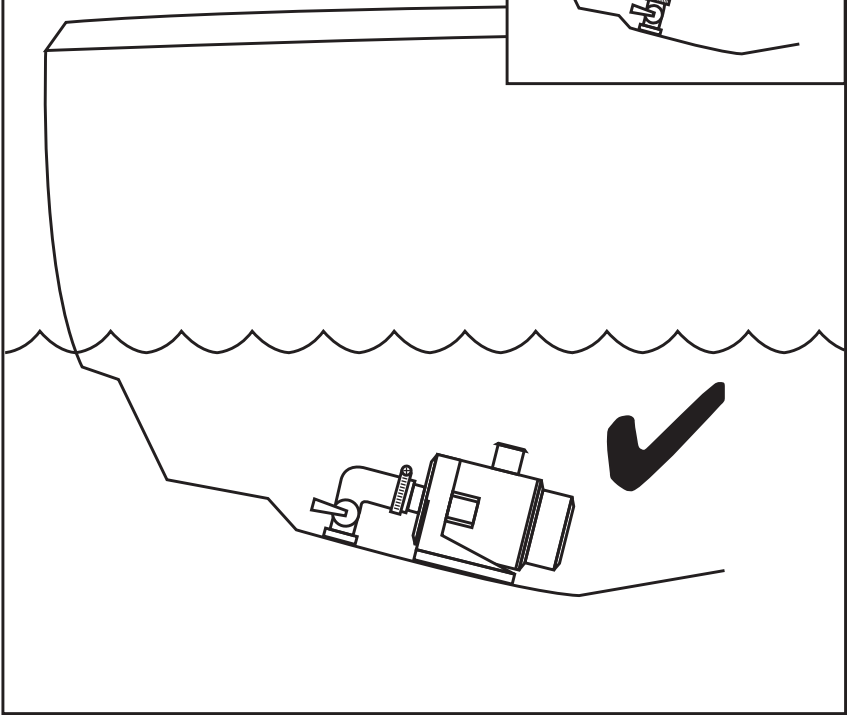
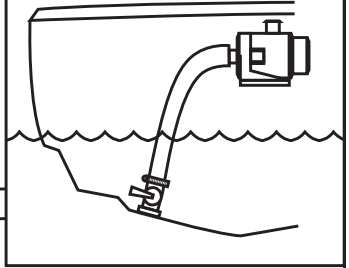


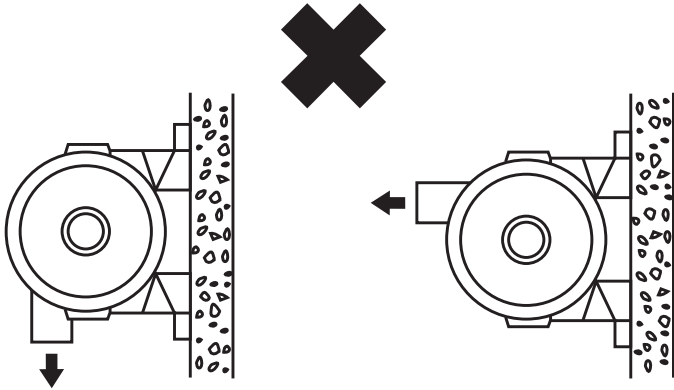
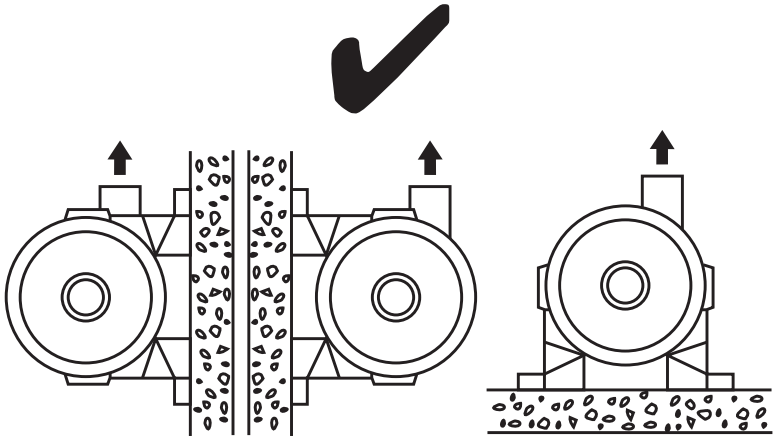
 4.25" (10.75cm) x3

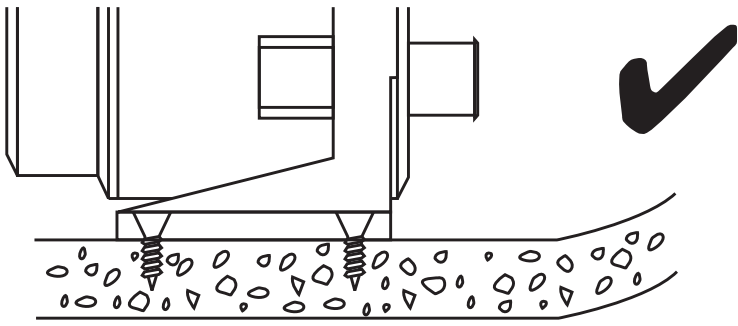
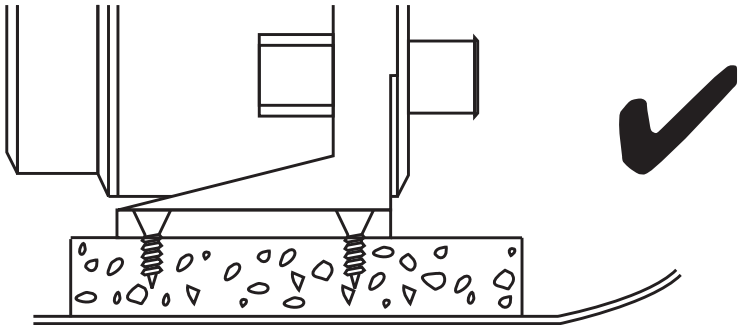
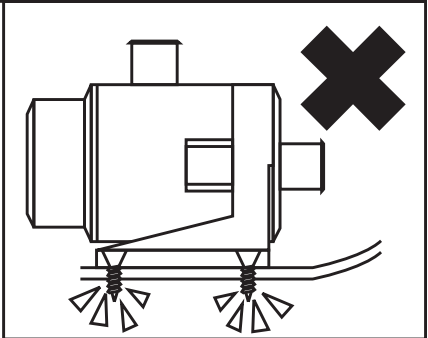


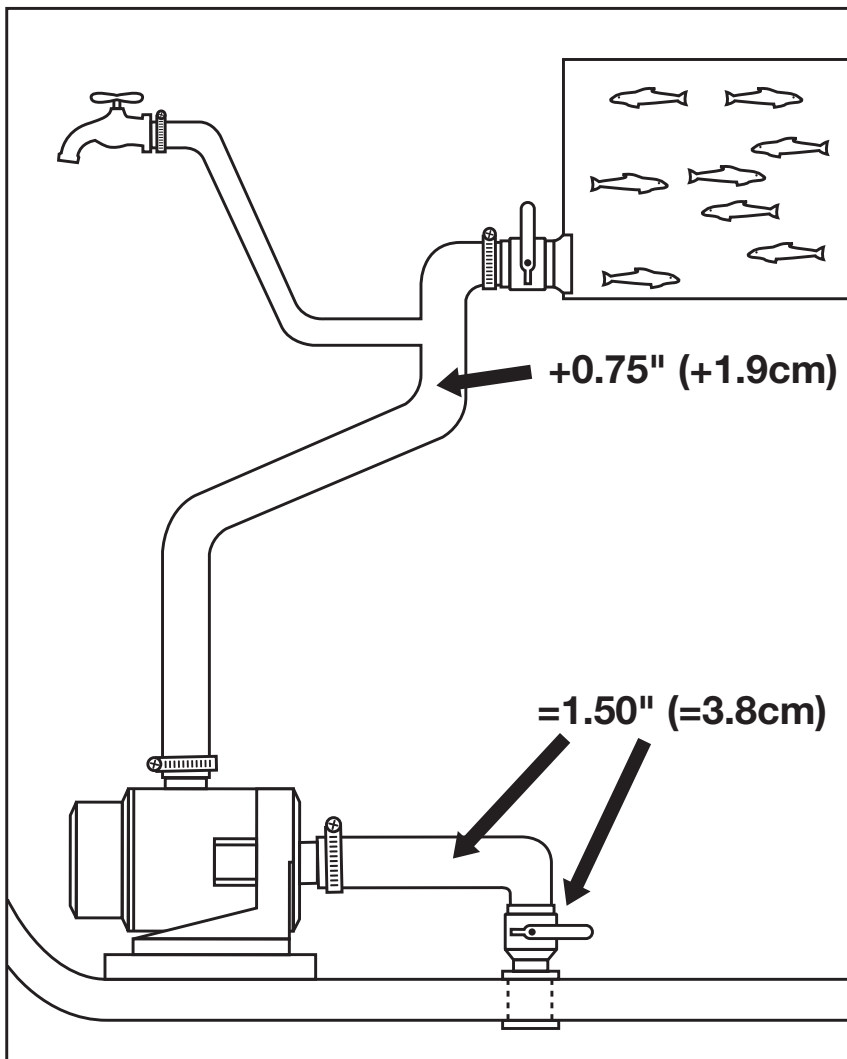
 1" (2.5cm) x3













Always install proper fuse size to prevent damage to product should a short occur. Failure to install proper fuse could increase risk of pump malfunction potentially resulting in personal injury and/or fire hazard.



**CE Logo**

When this product carries a CE mark, it conforms to one or more of the following standards:

EN 61000-6-1:2001 EN 61000-6-3:2007

Following the Provisions of the Electromagnetic Compatibility Directive 2004/108/EC

ISO 8846 / Electrical Devices Protection Against Ignition of Surrounding Flammable Gases

ISO 8849:2003 / Electrically Operated Bilge Pumps

ISO 10133:2000 / Electrical Systems - Extra Low Voltage D.C. Installations Following the Provisions of the Recreation Craft Directive 94/25/EEC



| Rated Flow | Open Flow Output @ 0ft/0m (0 kPa) GPH (LPH) | Open Flow Output @ 3.35ft/1m (10 kPa) GPH (LPH) | Open Flow Output @ 6.7ft/2m (20 kPa) GPH (LPH) |
|------------|---|---|--|
| 3700       | 3700 (14006)                                | 2900 (10977)                                    | 2450 (9274)                                    |
| 3800       | 3800 (14385)                                | 3185 (12050)                                    | 2570 (9718)                                    |

Note: Output is based on 10 hour break-in period and at 13.6V (12V models), 27.2V (24V models) or 36V (32V models)

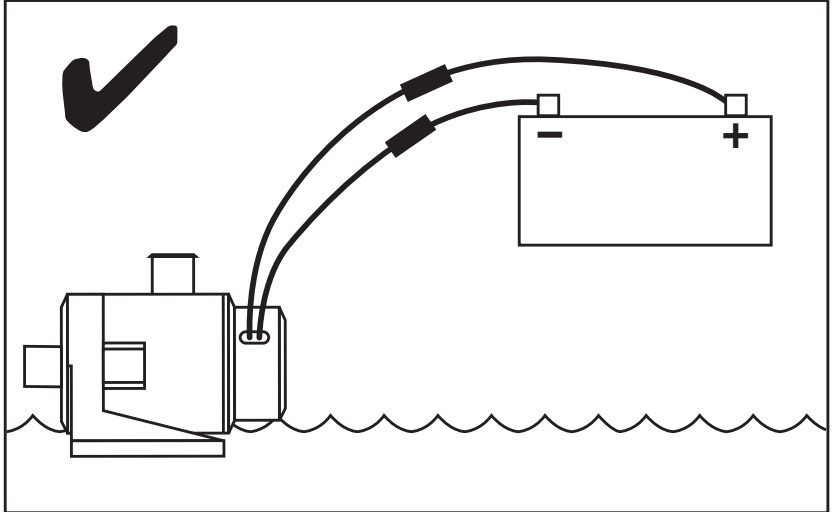
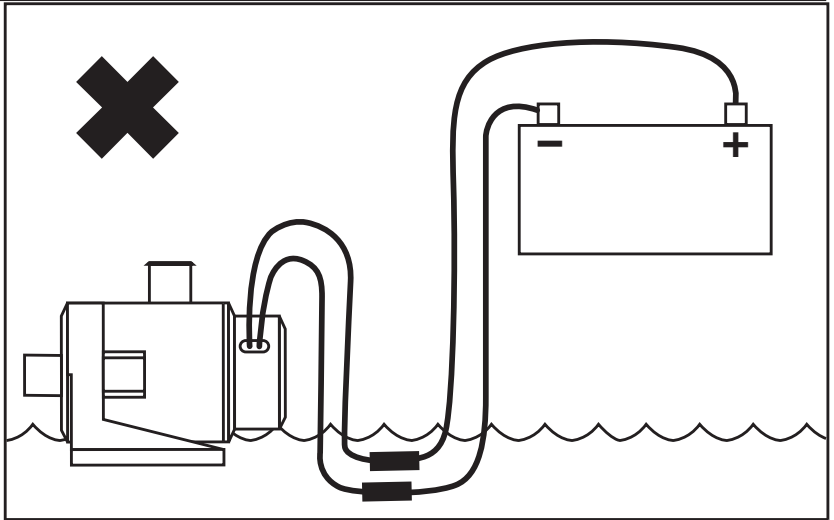
|  | A     | B         | C     | D         | E        | F        |
|--|-------|-----------|-------|-----------|----------|----------|
|  | Model | GPH (LPH) | Volts | Fuse Size | Amp Draw | Amp Draw |
|  |       |           |       |           |          |          |
|  |       |           |       |           |          |          |
|  |       |           |       |           |          |          |
|  |       |           |       |           |          |          |
|  |       |           |       |           |          |          |
|  |       |           |       |           |          |          |

|     | A | B            | C   | D  | E          | F            |
|-----|---|--------------|-----|----|------------|--------------|
| 17A |   | 3800 (14380) | 12V | 25 | 15.5 @ 12v | 20.0 @ 13.6v |
| 18A |   | 3700 (14002) | 24V | 15 | 6.9 @ 24v  | 10.0 @ 27.2v |
| 19A |   | 3700 (14002) | 32V | 10 | 5.0 @ 32v  | 7.5 @ 36.3v  |

**CAUTION**



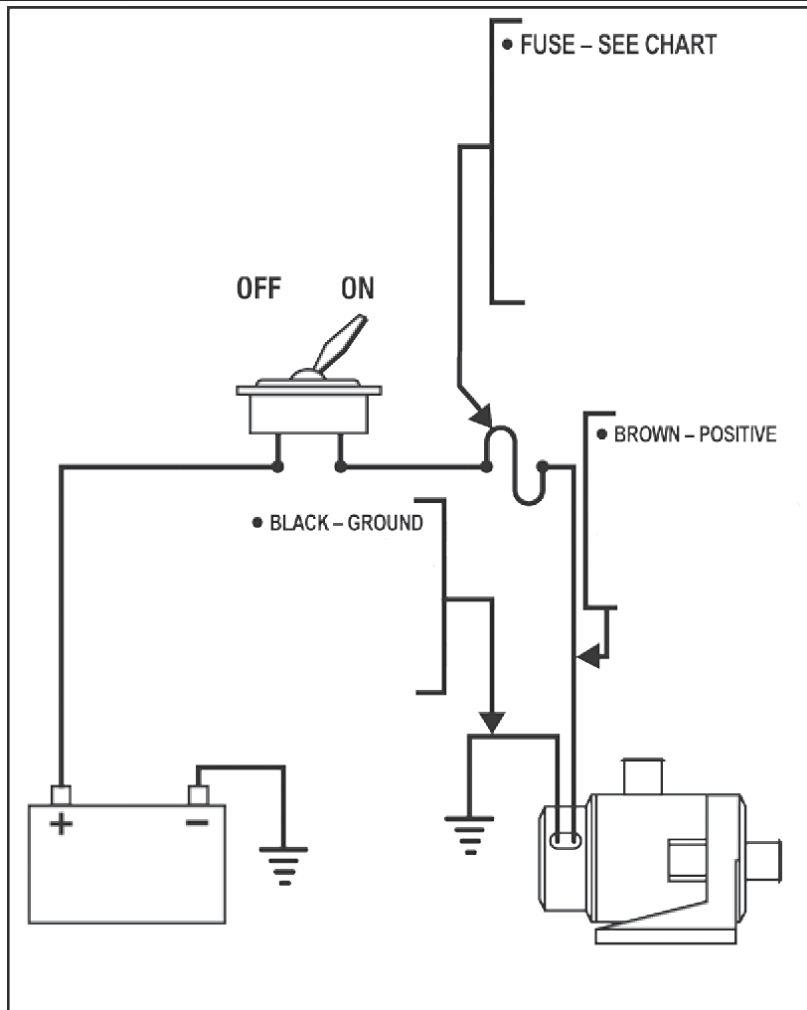
Disconnect power from the system before working on the unit to avoid personal injury, damage to the surrounding environment and/or damage to the unit.



**CAUTION**



Keep all wire connections above the highest water level. Wire connections should be sealed with a marine grade sealant to prevent wire corrosion.



Learn more about other boat plumbing by [Rule Pumps](#) on our website.