



**SCANDVIK**  
Quality is our Tradition

## What's NEW



Tight Corner SS Sinks  
Page 76, 79



Otto Family  
Page 50



Stainless Steel Faucets & Taps  
Page 51, 54, 60



Super Bright LED, AC and/or DC Engine Room / Utility Light  
Page 103



Compact Spreader Light  
Page 104



BREEZE Hose Clamps  
Page 90, 91

# Faucet Families

## Acrylic Family



10056  
Pg 55



10401  
Pg 29



10406  
Pg 21



10770  
Pg 21

## Classic Family



70000  
Pg 55



70001  
Pg 53



70002  
Pg 44

## Folding Ceramic Family



14090  
Pg 61



14084  
Pg 27



10183  
Pg 61



10180  
Pg 61



10620  
Pg 61



10467  
Pg 29



10476  
Pg 57



10665  
Pg 57



10622  
Pg 57



14413  
Pg 38



14411  
Pg 38



14406  
Pg 38



14087  
Pg 21

## Geometric Family



16007  
Pg 49



16000  
Pg 56



70502  
Pg 47



16250  
Pg 48



70357  
Pg 63



70361  
Pg 63



70358  
Pg 63



70359  
Pg 62



70360  
Pg 62



70604  
Pg 33

## Minimalistic Family



14420  
Pg 52



16200  
Pg 51



14421  
Pg 42



14423  
Pg 42



16216  
Pg 36



14417  
Pg 37



14410  
Pg 37



14414  
Pg 37



16002  
Pg 40



16205  
Pg 30



16201  
Pg 31

## Nordic Family



70106  
Pg 54



70103  
Pg 51



70108  
Pg 49



70104  
Pg 40



70105  
Pg 32



10502  
Pg 32



70101  
Pg 20



70102  
Pg 20

Plumbing

Hose Clamps

Lighting

Dolphin Chargers

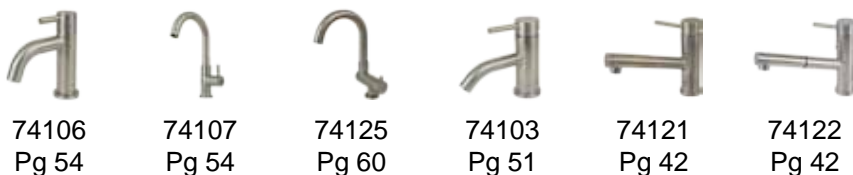
Pedestals

Struts

Teak Wonder

## Faucet Families

### Nordic Stainless Steel Family



74106  
Pg 54

74107  
Pg 54

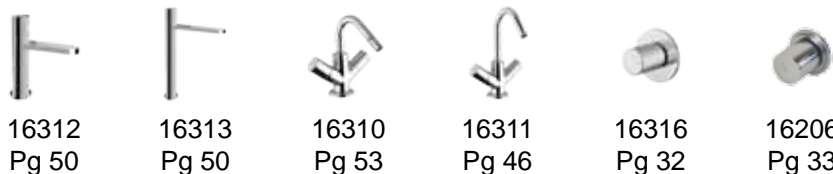
74125  
Pg 60

74103  
Pg 51

74121  
Pg 42

74122  
Pg 42

### Otto Family



16312  
Pg 50

16313  
Pg 50

16310  
Pg 53

16311  
Pg 46

16316  
Pg 32

16206  
Pg 33

### Recessed Showers & Mixers



10835  
Pg 13

10498  
Pg 13

10055  
Pg 13

10750  
Pg 12

12108  
Pg 10

12127  
Pg 8

12106  
Pg 10

12107  
Pg 10

12124  
Pg 7

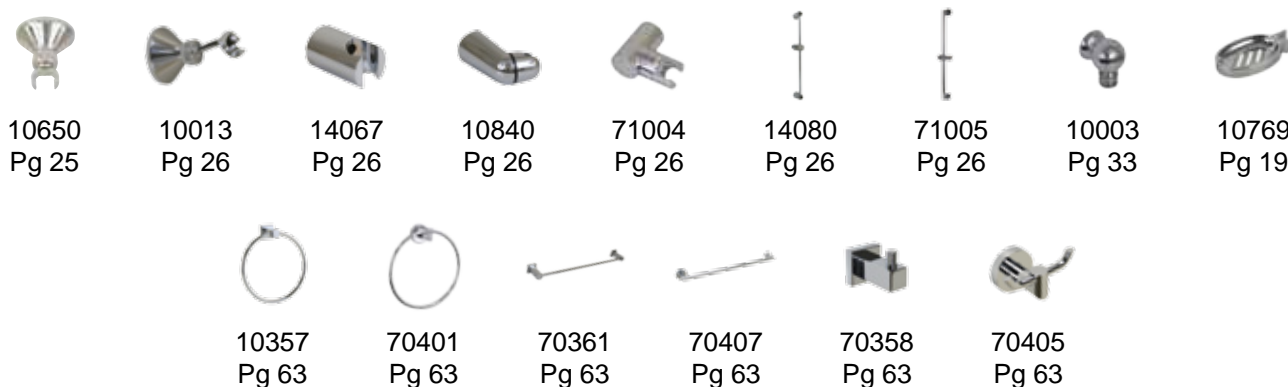
12125  
Pg 7

12109  
Pg 11

12110  
Pg 11

12141  
Pg 9

### Shower Accessories



10650  
Pg 25

10013  
Pg 26

14067  
Pg 26

10840  
Pg 26

71004  
Pg 26

14080  
Pg 26

71005  
Pg 26

10003  
Pg 33

10769  
Pg 19

10357  
Pg 63

70401  
Pg 63

70361  
Pg 63

70407  
Pg 63

70358  
Pg 63

70405  
Pg 63

### Shower Boxes



10641  
Pg 14

10640  
Pg 14

10765  
Pg 14

10642  
Pg 14

14122  
Pg 15

14157  
Pg 15

# Faucet Families

## Shower Heads



07014  
Pg 25



70351  
Pg 25



10917  
Pg 25



16100  
Pg 24



16110  
Pg 24



74150  
Pg 25



74151  
Pg 25

## Shower Systems



10763  
Pg 19



14112  
Pg 21



10761  
Pg 19



70350  
Pg 20



70101  
Pg 20



70102  
Pg 20



14087  
Pg 21



70603  
Pg 20



16114  
Pg 22

## Single Lever Family



07006  
Pg 49



10485  
Pg 51



10480  
Pg 43



10488  
Pg 43



10881  
Pg 39



10880  
Pg 39



10871  
Pg 39



10637  
Pg 41



10466  
Pg 31



10479  
Pg 31



10487  
Pg 32

## Single Lever Family - Compact



10811  
Pg 58



10810  
Pg 58



10812  
Pg 58



10813  
Pg 29



10500  
Pg 30

## Single Lever Family - Shorty



16202  
Pg 47



16214  
Pg 50



16212  
Pg 46



10623  
Pg 30



14400  
Pg 58

## Specialty Family



16001  
Pg 49



16204  
Pg 29

Plumbing

Hose Clamps

Lighting

Dolphin Chargers

Pedestals

Struts

Teak Wonder

## Faucet Families

### Standard Family



### T Handle Family



### Triangular Family



### Washdowns



### Yo Family



### Zen Family



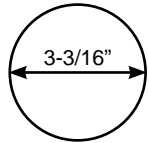
# Stainless Steel Recessed Transom Showers

**PASSIVATED 316 STAINLESS STEEL** recessed shower cap with composite cup mounts vertically or horizontally. Ideal as a deck or transom shower.

**Water Connection:** 3/8" BSP-F threaded fitting on hose (except #12158, #12159 & #12161 ). 3/8" to 1/2" adapter available (#10961 Delrin) or optional hoses with 1/2" NPS-F supply end fitting.

**Mounting Hole:** 2-3/4" diameter

**Shipping Weight:** 4 lbs.



Fastener Circle Diameter

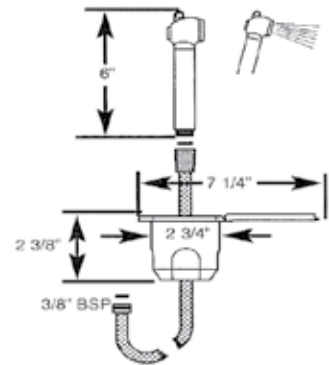


**Push-Button** sprayer, chrome plated brass head with black or white ABS handle with attached lanyard for easy pull-out. Mounting hardware included.

- #12124 Black with 6' black nylon hose
- #12128 Black with 6' chrome flex hose
- #12130 Black with 10' black nylon hose



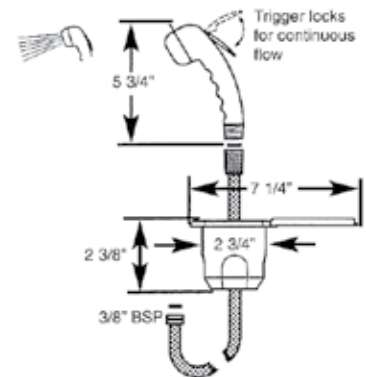
- #12131 White with 6' white nylon hose
- #12146 White with 6' chrome flex hose
- #12147 White with 10' white nylon hose
- #12158 White with 6' Stainless Steel hose with 1/2" NPS-F fitting



**Euro Style** ABS sprayer, chrome or white. Convenient on/off trigger locks in the "on" position for continuous water flow. Mounting hardware included.



- #12125 Chrome handle, black cup with 6' black nylon hose
- #12148 Chrome handle, black cup with 6' chrome flex hose
- #12149 Chrome handle, black cup with 10" black nylon hose
- #12159 Chrome handle, black cup with 6' SS hose with 1/2" NPS-F water connection
- #12161 Chrome handle, white cup with 6' SS hose with 1/2" NPS-F water connection



- #12133 White handle, white cup with 6' white nylon hose
- #12150 White handle, white cup with 6' chrome flex hose
- NEW** #12156 White handle, white cup with 6' SS hose with 1/2" NPS-F water connection
- #12157 White handle, white cup with 10' white nylon hose

# Stainless Steel Recessed Transom Shower Mixers

Stainless Steel Recessed Shower Mixers. Can be used with one of our shower handle and hose combinations for vertical or horizontal installations. Manufactured from passivated 316 stainless steel, our new cap design for our recessed showers will add a touch of elegance to your boat. The friction lock hinge holds the cap open. Mounting hardware included.

**Water Connection:** Flexible supply lines with 1/2" NPS-F fittings. 3/8" BSP-M connection to shower hose

**Material:** 316 Stainless Steel Cap with chrome plated brass mixers and composite cup

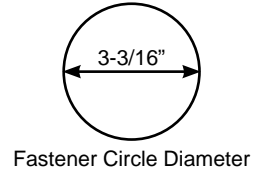
**Mounting Hole:** 2-3/4"

**Shipping Weight:** 5 lbs.



12127

12134

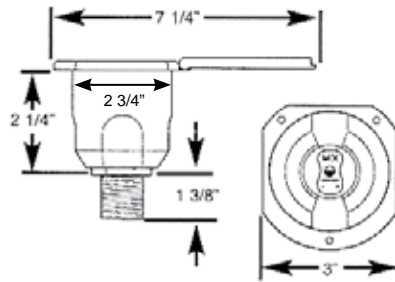


Shower T-Handle mixer for water temperature and flow control or cold tap in a compact unit. Stainless Steel cap with composite cup.

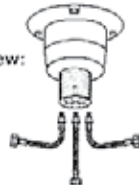
- #12127 Black composite cup with mixer
- #12134 White composite cup with mixer
- #12101 White composite cup with cold tap



12101



Bottom View:



Shower mixer with water temperature control only. This mixer has no on/off control. Stainless Steel cap with composite cup.

- #12139 Black composite cup
- #12145 White composite cup



12139



12145



# Stainless Steel Recessed Transom Showers

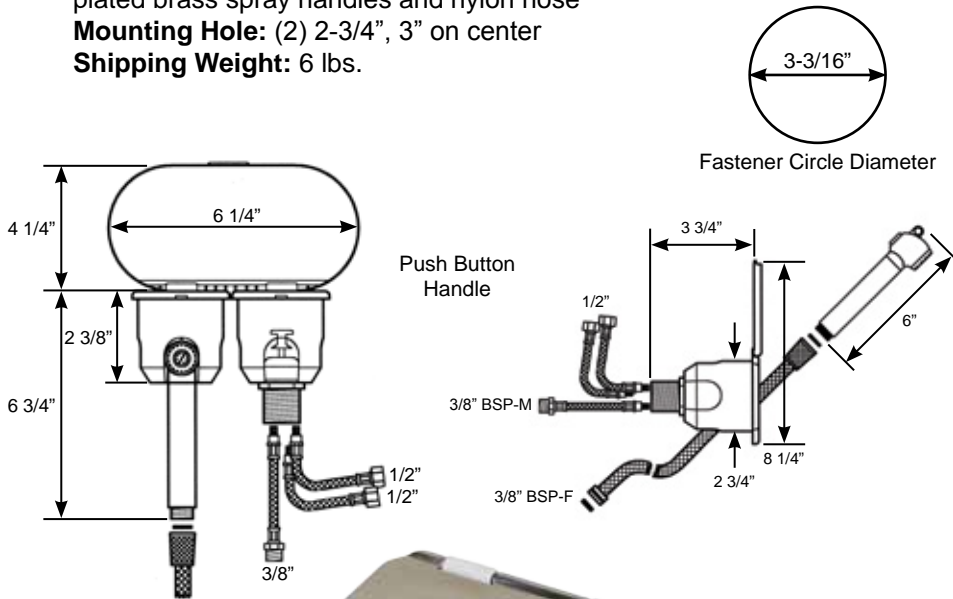
Recessed combination T-Handle mixer and pull-out shower handle for transom or deck mounting. The friction lock holds the cap open. Mounting hardware included.

**Water Connection:** Flexible supply lines with 1/2" NPS-F fittings

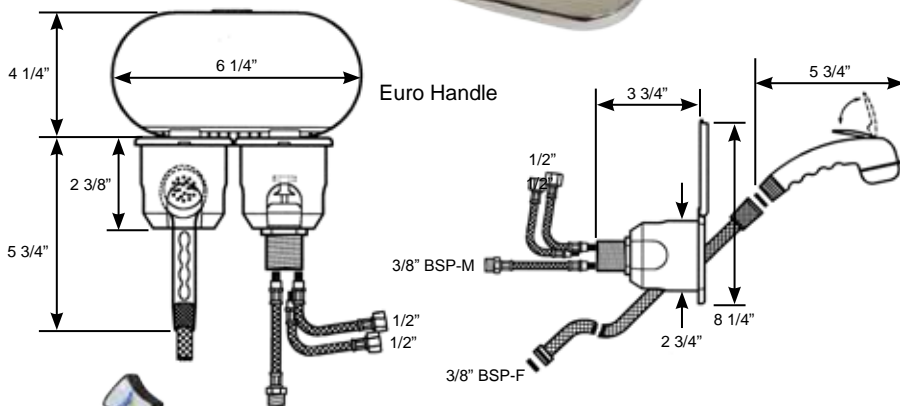
**Material:** Passivated 316 Stainless Steel Cap, composite cups, chrome plated brass mixers, ABS and chrome plated brass spray handles and nylon hose

**Mounting Hole:** (2) 2-3/4", 3" on center

**Shipping Weight:** 6 lbs.



**#12141 Push-Button** spray handle with 6' white nylon hose



**#12142 Euro** Spray handle with 6' white nylon hose, push trigger down for on/off or lock up for continuous water flow



**#12144 Chrome Euro** Spray handle with 6' white nylon hose, push trigger down for on/off or lock up for continuous water flow

## Recessed Transom Showers

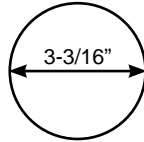
Fifth generation recessed showers. Improved UV protection, better water seal when cap is closed. Easy to use **Push-Button** or **Euro** trigger sprayer handles. Built-in grab ring for easy deployment. Mounts vertically or horizontally. Mounting hardware included.

**Water connection:** 3/8" BSP-F threaded fitting. 1/2" NPS-M adaptor available (#10961 Delrin)

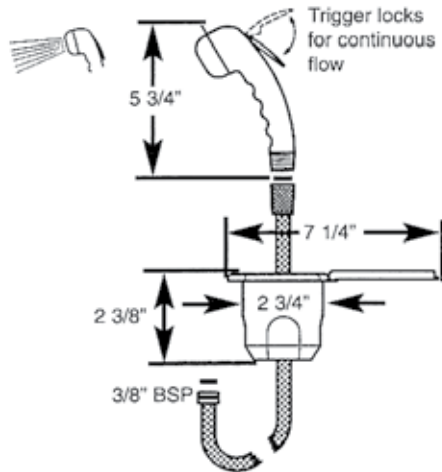
**Material:** ABS and chrome plated brass (push-button), all ABS (Euro) sprayers with nylon hose and composite cup and cap

**Mounting Hole:** 2-3/4"

**Shipping Weight:** 4 lbs.

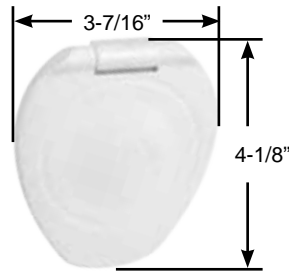


Fastener Circle Diameter



### Push-Button Handle

- #12106 White handle, cup and cap with 6' white hose
- #12117 White handle, cup and cap with 10' white hose
- #12163 White handle, cup and cap with 10' white hose (with 1/2" female end fitting)



### Euro Trigger Sprayer Handle

- #12107 White handle, white cup & cap with 6' white nylon hose
- #12119 Chrome handle, white cup & cap with 10' white nylon hose **with 1/2" NPS-F connection**
- #12123 White handle, white cup & cap with 10' white nylon hose
- #12140 White handle, white cup & cap with 6' stainless steel flex hose **with 1/2" NPS-F connection**
- #12160 White handle, white cup & cap with 6' white nylon hose **with 1/2" NPS-F connection**



Recessed T-handle mixing valve. Easy to use "T" handle. Side to side movement controls water flow and rotating clockwise or counter clockwise controls temperature mixture. Mounting hardware included.

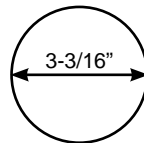
**Water Connection:** Flexible supply lines with 1/2" NPS-F fittings

**Material:** Chrome plated brass valve with composite recessed cap and cup

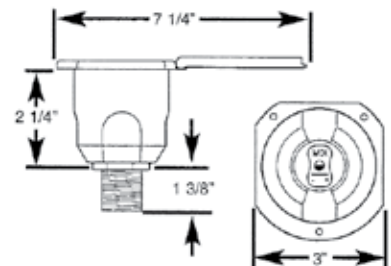
**Mounting Hole:** 2-3/4"

**Shipping Weight:** 4 lbs.

#12108 White cap and cup



Fastener Circle Diameter



## Recessed Transom Showers

Recessed **Push-Button** transom shower with T-handle mixing valve. Can be mounted vertically or horizontally. Mounting hardware included.

**Water Connection:** Flexible supply lines with 1/2" NPS-F fittings

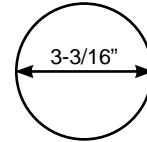
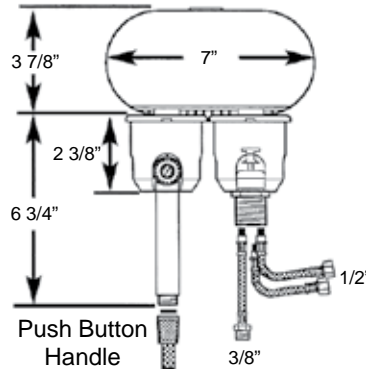
**Material:** ABS and chrome plated brass sprayer with nylon hose and chrome plated brass mixing valve

**Mounting Holes:** (2) 2-3/4", 3" on center

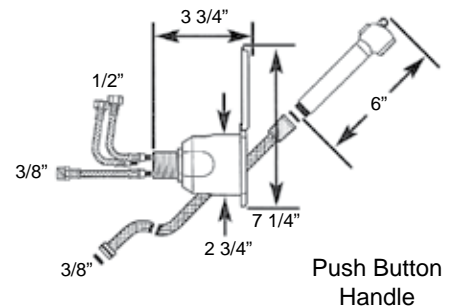
**Shipping Weight:** 4 lbs.

#12109 White handle, cup & cap with 6' white nylon hose

#12121 White handle, cup & cap with 10' white nylon hose



Fastener Circle Diameter



Recessed **EURO** trigger handle transom shower with T-handle mixing valve. Can be mounted vertically or horizontally. Mounting hardware included.

**Water Connection:** Flexible supply lines with 1/2" NPS-F fittings

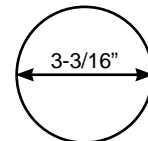
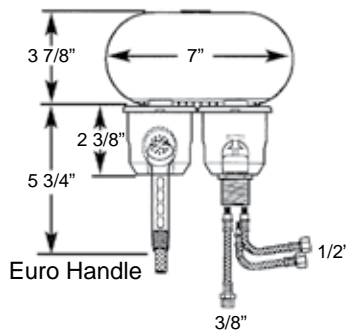
**Material:** ABS and chrome plated brass sprayer with nylon hose and chrome plated brass mixing valve

**Mounting Holes:** (2) 2-3/4", 3" on center

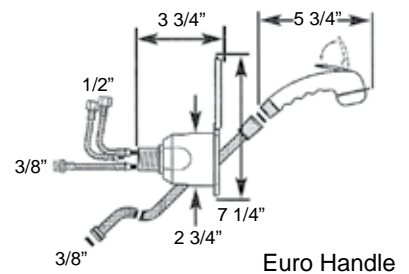
**Shipping Weight:** 4 lbs.

#12110 White handle, cup & cap with 6' white nylon hose

#12122 White handle, cup & cap with 10' white nylon hose



Fastener Circle Diameter



## Recessed Transom Showers

Second Generation recessed shower for **vertical installation**. Soft cap fits snug and provides water tight seal. Easy installation with a 2-1/4" hole saw. A favorite among the smaller runabout center consoles. **Available in white only**. The cap has the **Scandvik logo** on top.

**Water Connection:** 3/8" BSP-F fitting. 1/2" NPS-M adapter available (#10961 Delrin)

**Material:** ABS and chrome plated brass sprayer, plastic cap and cup and nylon hose

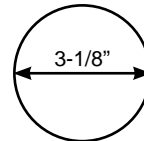
**Mounting Hole:** 2-1/4"

**Shipping Weight:** 4 lbs.

**#10750** Recessed shower with 6' white nylon hose

**#10775** Recessed shower with 10' white nylon hose

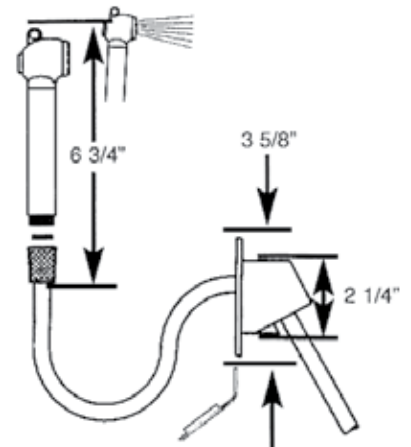
**#10795** Recessed shower with 13' white nylon hose



Fastener Circle Diameter



Scandvik Logo on Cap



## Recessed Transom Showers

The original recessed shower that revolutionized the industry. Soft cap fits snug and provides water tight seal. Easy installation with a 2-1/4" hole saw. **Horizontal mount** only. Available in white or black. The cap has a **Shower Symbol** on top.

**Water Connection:** 3/8" BSP-F fitting. 1/2" NPS-M adapter available (#10961 Delrin)

**Material:** ABS and chrome plated brass sprayer, plastic cap and cup and nylon hose

**Mounting Hole:** 2-1/4"

**Shipping Weight:** 4 lbs.

#10055 White with 6' nylon hose

#10265 Black with 6' nylon hose

#10275 White with 10' nylon hose

#10276 Black with 10' nylon hose

#10298 White with 13' nylon hose

#10299 Black with 13' nylon hose

#10826 White with 20' nylon hose

#10827 Black with 20' nylon hose



Shower Symbol on Cap



Temperature control valve with positive on/off with matching cup and cap assembly to the showers above. The cap has a **Shower Symbol** on top.

**Water Connection:** Flexible supply lines with 1/2" NPS-F connection, 3/8" BSP-M connection to shower hose.

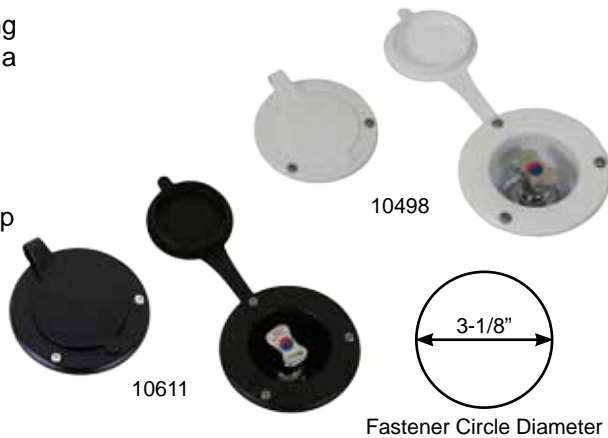
**Material:** Chrome plated brass valve with plastic recessed cup

**Mounting Hole:** 2-1/4"

**Shipping Weight:** 4 lbs.

#10498 Mixing valve with white cup and cap

#10611 Mixing valve with black cup and cap



On/off **COLD WATER** control valve with matching cup and cap assembly to the showers above.

#10835 Cold water tap with white cup and cap



## Shower Boxes

High quality shower boxes with acrylic capped ABS exterior for better UV protection. Concealed mounting screws and integrated composite hinge. Several different models to choose from, ranging from cold only to mixing versions. Each style includes a 6' white nylon retractable hose. All configurations are available with a Standard or Euro Spray handle. Both spray handles feature a trigger sprayer for on/off control or flip-up lock for continuous water flow.



Shower Box Closed

**Cut-out dimensions:**

8-5/8" wide x 6-1/2" high, requires 4" depth

**Shipping Weight:** 5 lbs.

**Mounting Hardware Included**



Standard Sprayer

Euro Sprayer



**Valve:** Chrome plated brass with chrome ABS knob.

**Water Connection:** 3/8" threaded shaft, 1/2" NPS-M adapter included

**#10641 Standard Sprayer with cold water only (Shown)**

**#14103 Euro Sprayer with cold water only**



**Mixer:** Chrome plated brass mixer with acrylic knobs

**Water Connection:** 3/8" threaded shafts. 1/2" NPS-M adapters included

**#10640 Standard Sprayer with mixer (Shown)**

**#14100 Euro Sprayer with mixer**



**Mixer:** Chrome plated brass with chrome ABS knobs

**Water Connection:** 3/8" threaded shafts, 1/2" NPS-M adapters included

**#10765 Standard Sprayer with mixer (Shown)**

**#14101 Euro Sprayer with mixer**

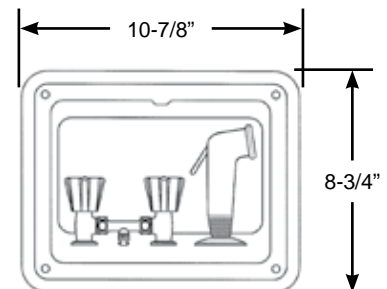


**Valve:** Chrome plated brass

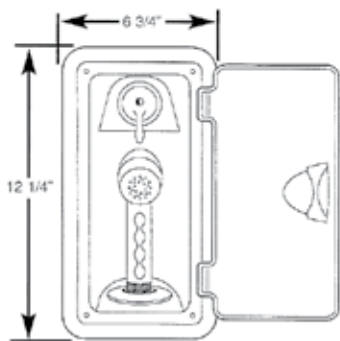
**Water Connection:** Flexible supply lines with 1/2" NPS-F fittings

**#10642 Standard Sprayer with T-handle mixer (Shown)**

**#14108 Euro Sprayer with T-handle mixer**



## Shower Boxes



Vertical shower box with single lever mixing valve. **Euro** sprayer handle with nylon hose. Mounting hardware included.

**Water Connection:** Flexible supply lines with 1/2" NPS-F fittings

**Material:** Chrome plated brass valve with ABS sprayer

**Cut-out dimensions:** 4-7/16" wide x 9-15/16" high, requires 5" depth

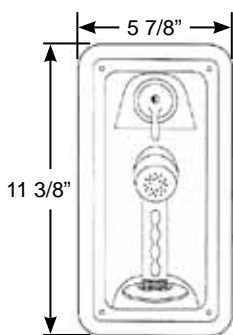
**Shipping Weight:** 5 lbs.

**#14122** Black sprayer with 6' black nylon hose

**#14124** White sprayer with 13' white nylon hose

**#14126** White sprayer with 6' white nylon hose

**#14128** Chrome sprayer with 6' white nylon hose



Vertical shower cavity (no door) with single lever mixing valve. One piece molded acrylic capped ABS. Off-white color #12 to match most off-white hulls. **Euro** sprayer handle attached to 13' nylon hose. Mounting hardware included.

**Water Connection:** Flexible supply lines with 1/2" NPS-F fittings

**Material:** White powder coated brass mixer with ABS sprayer

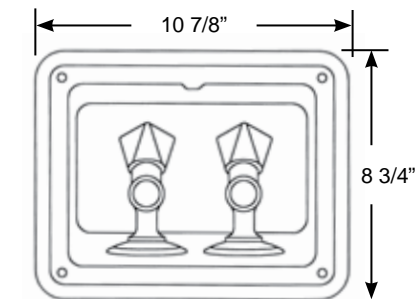
**Cut-out dimensions:** 4-7/16" wide x 9-15/16" high, requires 5" depth

**Shipping Weight:** 5 lbs.

**#14157** White sprayer with white nylon hose



## Washdown Boxes



Cut out: 8-5/8" W x 6-1/2" H x 4" depth

Flush mount boxes hide single and double washdown hose spigots. Minimal 1" protrusion beyond mounting surface. Thermo-formed, acrylic capped ABS box with incorporated hinge features one or two washdown spigots. Double spigot version makes a great fresh and salt water washdown station. Mounting hardware included.

**Water Connection:** 1/2" NPS-M threaded shaft, 1/2" hose barb included

**Shipping Weight:** 5 lbs.

**#14070** Single 316 Stainless Steel spigot

**#14077** Single Chrome brass/plastic spigot

**#14071** Double 316 Stainless Steel spigot

**#14078** Double Chrome brass/plastic spigot



# Standard and Euro STRAIGHT Sprayers



## Standard Sprayers

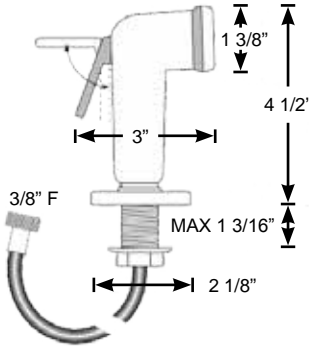
Traditional **Standard Sprayers** are as reliable as they are functional. Included counter-top holder leaves the sprayer in a ready-for-action position. Available in a variation of hose material and lengths. Sprayer handle features a trigger sprayer for on/off control or flip-up lock for continuous water flow.

**Water Connection:** 3/8" BSP-F fitting, 1/2" NPS-M adapter available (#10961 Delrin)

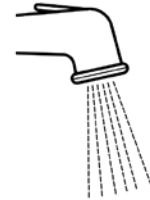
**Material:** Glass reinforced plastic sprayer with nylon or chrome plated brass hose

**Mounting Hole:** 1-1/16"

**Shipping Weight:** 4 lbs.



- #10195 White sprayer with 6' chrome-flex hose
- #10196 White sprayer with 6' white nylon hose
- #10197 White sprayer with 10' white nylon hose
- #10198 Black sprayer with 6' chrome-flex hose
- #10054 Black sprayer with 6' black nylon hose
- #10086 Black sprayer with 10' black nylon hose



## Euro Sprayers

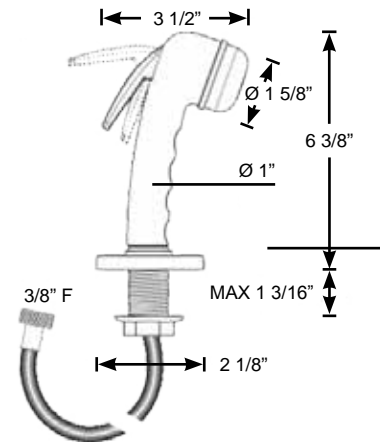
**Euro Sprayers** are equally versatile, but with a modern look. Included counter-top holder leaves the sprayer in a ready-for-action position. Available in a variation of hose material and lengths. Sprayer handle features a trigger sprayer for on/off control or flip-up lock for continuous water flow.

**Water Connection:** 3/8" BSP-F fitting, 1/2" NPS-M adapter available (#10961 Delrin)

**Material:** ABS sprayer with nylon or chrome plated brass hose

**Mounting Hole:** 1-1/16"

**Shipping Weight:** 4 lbs.



- #14029 White sprayer with 6' chrome-flex hose
- #14031 White sprayer with 6' white nylon hose
- #14075 White sprayer with 13' white nylon hose
- #14074 White sprayer with 20' white nylon hose
- #14030 Black sprayer with 6' chrome-flex hose
- #14032 Black sprayer with 6' black nylon hose

- #14042 Chrome sprayer with 6' chrome-flex hose
- #14043 Chrome sprayer with 6' white nylon hose
- #14044 Chrome sprayer with 6' black nylon hose
- #14054 Chrome sprayer with 13' black nylon hose
- #14053 Chrome sprayer with 20' black nylon hose





# Standard and Euro ELBOW Sprayers



## Standard Sprayers

Traditional **Standard Sprayers** are as reliable as they are functional. Included counter-top holder leaves the sprayer in a ready-for-action position. Available in a variation of hose material and lengths. Sprayer handle features a trigger sprayer for on/off control or flip-up lock for continuous water flow.

**Water Connection:** 3/8" BSP-F fitting, 1/2" NPS-M adapter available (#10961 Delrin)

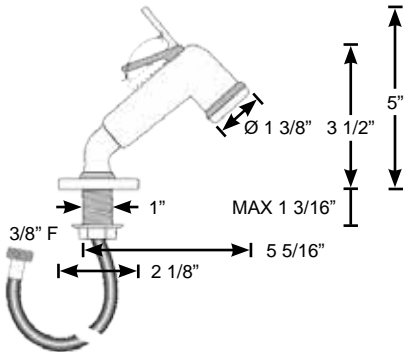
**Material:** Glass reinforced plastic sprayer with nylon or chrome plated brass hose

**Mounting Hole:** 1-1/16"

**Shipping Weight:** 4 lbs.

- #10190 White sprayer with 5' chrome-flex hose
- #10191 White sprayer with 6' white nylon hose
- #10199 White sprayer with 10' white nylon hose

- #10192 Black sprayer with 5' chrome-flex hose
- #10193 Black sprayer with 6' black nylon hose
- #10194 Black sprayer with 10' black nylon hose



## Euro Sprayers

**Euro Sprayers** are equally versatile, but with a modern look. Included counter-top holder leaves the sprayer in a ready-for-action position. Available in a variation of hose material and lengths. Sprayer handle features a trigger sprayer for on/off control or flip-up lock for continuous water flow.

**Water Connection:** 3/8" BSP-F fitting, 1/2" NPS-M adapter available (#10961 Delrin).

#14038 and #14041 have 1/2" NPS-F fitting.

**Material:** ABS sprayer with nylon or chrome plated brass hose

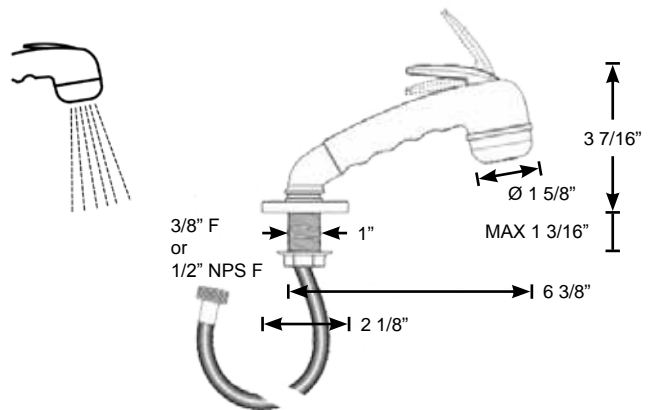
**Mounting Hole:** 1-1/16"

**Shipping Weight:** 4 lbs.

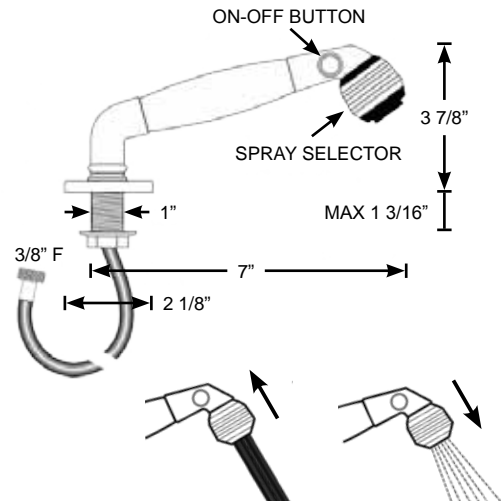
- #14025 White sprayer with 6' chrome-flex hose
- #14027 White sprayer with 6' white nylon hose
- #14055 White sprayer with 10' White nylon hose

- #14026 Black sprayer with 6' chrome-flex hose
- #14022 Black sprayer with 6' white nylon hose
- #14028 Black sprayer with 6' black nylon hose

- #14037 Chrome sprayer with 5' chrome-flex hose
- #14066 Chrome sprayer with 6' chrome-flex hose
- #14039 Chrome sprayer with 5' white nylon hose
- #14038 Chrome sprayer with 6' white nylon hose with 1/2" NPS-F fitting
- #14040 Chrome sprayer with 5' black nylon hose
- #14041 Chrome sprayer with 6' black nylon hose with 1/2" NPS-F fitting



## Adjustable Flow Sprayers



Pull-out sprayer with adjustable water flow and water conservation valve. If water conservation is important, this is the sprayer you will want to get. A valve with a shut off is needed with this shower.

**Water Connection:** 3/8" BSP-F threaded fitting, 1/2" NPS-M adapter available (#10961 Delrin)

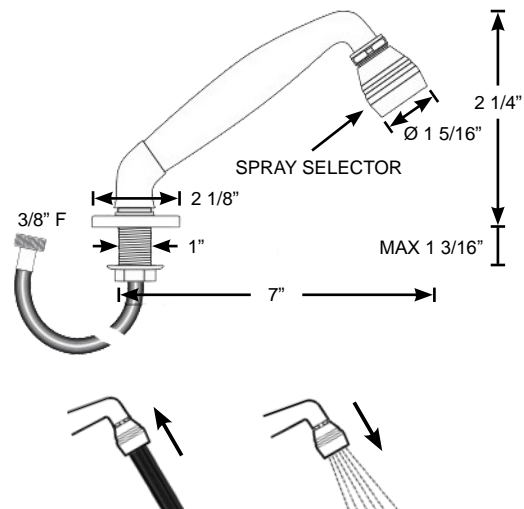
**Material:** ABS and chrome plated brass sprayer with nylon or chrome plated brass hose

**Mounting Hole:** 1-1/16"

**Shipping Weight:** 4 lbs.

**#10000** White sprayer with 6' white nylon hose

**#10012** Black sprayer with 6' black nylon hose



Pull-out sprayer with adjustable water flow. A valve with a shut off is needed with this shower.

**Water Connection:** 3/8" BSP-F threaded fitting, 1/2" NPS-M adapter available (#10961 Delrin)

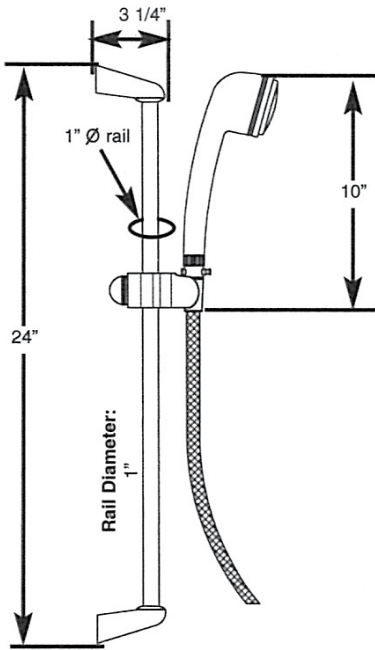
**Material:** ABS and chrome plated brass sprayer with nylon or chrome plated brass hose

**Mounting Hole:** 1-1/16"

**Shipping Weight:** 4 lbs.

**#10188** White sprayer with 6' chrome-flex hose

**#10189** Black sprayer with 6' chrome-flex hose



## THE EXECUTIVE

**#10763**

The **Executive** Shower System. Massage yourself with the adjustable shower spray. Fully adjustable 1" diameter rail with optional soap dish. Includes shower handle, adjustable rail and 5' chrome-flex hose. Use bulkhead elbow #10003 to route the plumbing behind the bulkhead to our single lever shower mixers.

**Water Connection:** 3/8" BSP-F fitting, fits most mixers and part #10003 bulkhead fitting

**Material:** Chrome ABS shower handle and end caps with a chrome plated brass rail

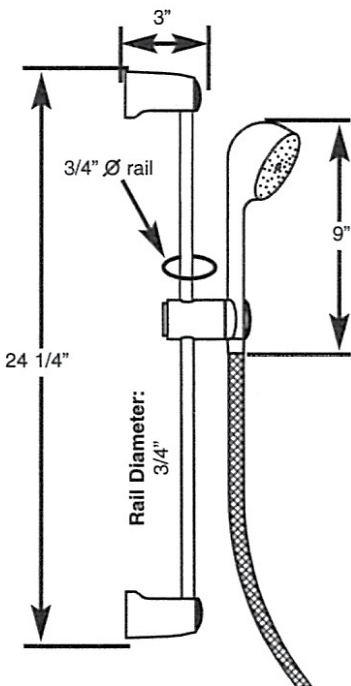
**Shipping Weight:** 5 lbs.

**#14085 Executive Rail and Holder Only**

Optional ABS soap dish for both Aqua Fina and Executive shower system. Will fit any 1" or 3/4" diameter rails.



**#10769**



## THE AQUA FINA

**#10761**

The **Aqua Fina** Shower System. Push-button adjustable height control and a water conservation valve. Durable chrome finish. 3/4" diameter rail. Anti-scaling shower nozzle. Includes Shower handle, adjustable rail and 5' chrome-flex hose.

**Water Connection:** 3/8" BSP-F fitting, fits most mixers and part #10003 bulkhead fitting

**Material:** Chrome ABS shower handle and end caps with a chrome plated brass rail

**Shipping Weight:** 5 lbs.

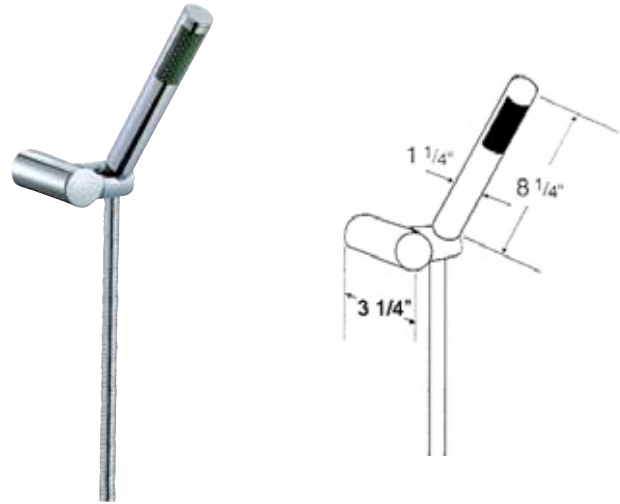


## Shower Systems

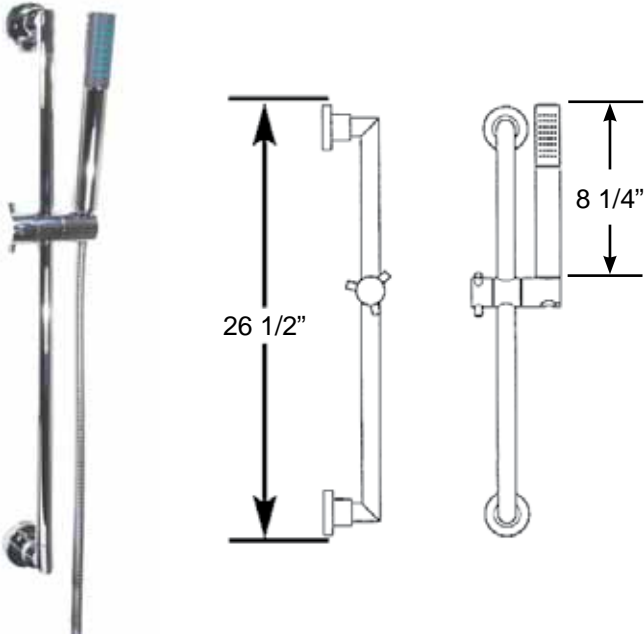
Plumbing



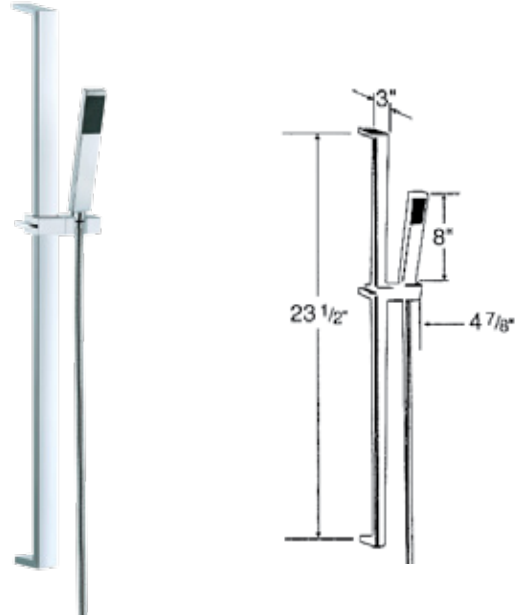
**Mariner** curved shower rail, complete with soap dish.  
**Water Connection:** 1/2" NPS-F  
**Material:** 1" Diameter chrome plated brass rail with ABS sprayer and 6' stainless steel hose  
**Shipping Weight:** 3 lbs.  
**#70350** Shower System as shown  
**#71006** Rail and sprayer holder only



**Nordic** design spray handle with stainless steel hose and bulkhead holder.  
**Water Connection:** 1/2" NPS-F  
**Material:** Chrome ABS sprayer and holder  
**Shipping Weight:** 2 lbs.  
**#70101** Shower system with 6' hose  
**#70112** Shower system with 5' hose  
**#71004** Bulkhead Holder only



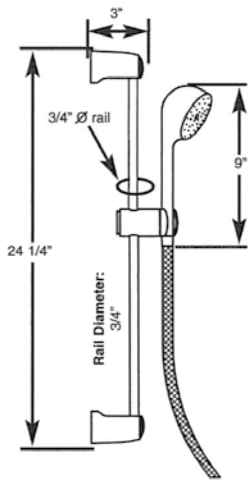
**Nordic** heavy-duty adjustable shower rail kit.  
**Water Connection:** 1/2" NPS-F  
**Material:** 7/8" Diameter chrome plated brass rail with ABS sprayer and 6' stainless steel hose  
**Shipping Weight:** 5 lbs.  
**#70102** Shower system as shown  
**#71005** Rail and sprayer holder only



**Yo** contemporary adjustable shower rail kit.  
**Water Connection:** 1/2" NPS-F  
**Material:** Chrome plated brass rail and sprayer and 6' stainless steel hose  
**Shipping Weight:** 6 lbs.  
**#70603** Shower system as shown  
**#71039** Rail and sprayer holder only

# Shower Kits

## Shower Rail Kit



Includes the **Aqua Fina** Shower System (page 15) and the #10411 mixing bridge.

**Water Connection:** 3/8" BSP threaded shafts with 1/2" NPS-M Delrin adapters included (#10015)

**Material:** Chrome plated brass rail and mixer body, plastic mixer knobs, shower handle and rail end caps

**Mounting Hole:** 2 each, 5/8"

**Shipping Weight:** 6 lbs.

#14140 Standard knob

#14112 Triangle knob



14112



14140



## Standard and Euro Shower Kit

Includes a **Standard** or **Euro** shower handle, 6' nylon hose and (#10401 acrylic knob) or (#10062 triangle knob) mixing bridge. 1/2" bulkhead shower handle holders sold separately - see page 22.

**Water Connection:** 3/8" BSP threaded shafts with 1/2" NPS-M Delrin adapters included (#10015)

**Material:** Chrome plated brass mixer with acrylic or ABS knobs, ABS or glass reinforced nylon shower handles and nylon hose

**Mounting Hole:** 2 each, 5/8"

**Shipping Weight:** 6 lbs.

#10405 White Standard sprayer with white hose (triangle knobs)

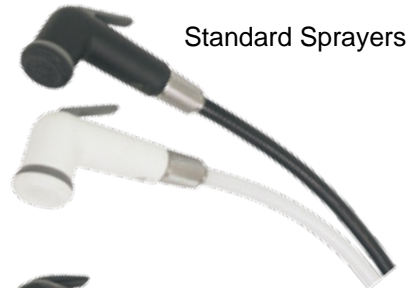
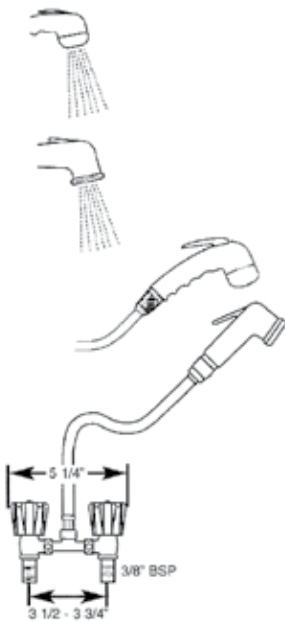
#10406 White Standard sprayer with white hose

#10770 Black Standard sprayer with black hose

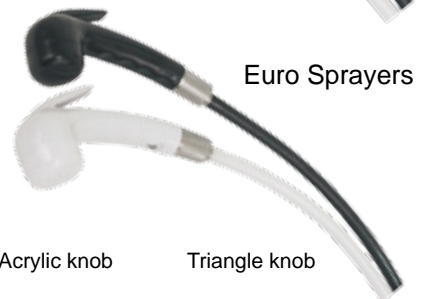
#14119 White Euro sprayer with white hose

#14117 White Euro sprayer with white hose (triangle knobs)

#14227 Black Euro sprayer with black hose



Standard Sprayers



Euro Sprayers

Acrylic knob

Triangle knob



Complete shower kit. Includes mixing bridge, shower handle with water conservation valve, 5' chrome-flex hose and bulkhead holder. Available with white or black shower handle. Mixer is shown as a bulkhead mount. Same unit can also be counter-top mounted.

**Water Connection:** 3/8" BSP threaded shafts with 1/2" NPS-M Delrin adapters included (#10015).

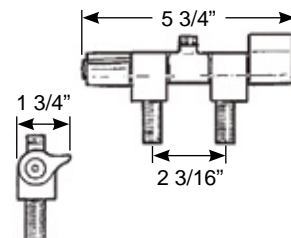
**Material:** Chrome plated brass

**Mounting Hole:** 2 each, 5/8"

**Shipping Weight:** 4 lbs.

#14087 Black shower handle

#14091 White shower handle



# ALL-IN-ONE SHOWER SYSTEM



This unique sliding rail shower system combines a 28" long shower rail with integrated mixer, hose and shower handle all-in-one. Installation requires the hot and cold water supply to be connected to the top and bottom mounting system for the rail. The rail is then snapped onto the quick-connect fittings at the top and bottom. The complete system can be disconnected in seconds and put away if necessary.

**Water Connection:** (2) 1/2" NPS threaded pipe  
**Material:** Chrome plated brass rail and shower handle  
**Mounting Holes:** (2) 7/8"  
**Shipping Weight:** 10 lbs.

- #16114 Chrome
- #16115 Brushed Nickel
- #16116 Carbon Fiber

A typical shower bar installation requires 4 holes and 3 connections.

The ALL-IN-ONE shower system requires only 2 holes and 2 connections to install.



#16116 Carbon Fiber





# Flush Rain Showers

Plumbing



**NEW** Elka contemporary ceiling mounted rain showers.

**Water Connection:** 1/2" NPS-F fitting

**Material:** 316 Polished Stainless Steel

**Protection:** IP68

**Shipping Weight:** 5 lbs.

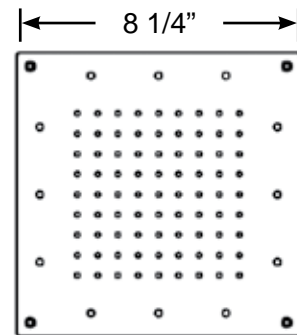
## Square

**Mounting Hole:** 7-1/4" x 7-1/4"

**#16100** with 12v white LED

**#16101** with 24v white LED

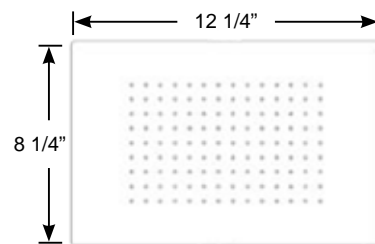
**#16102** without LED



3/4" Depth

## Rectangular

**#16103** without LED

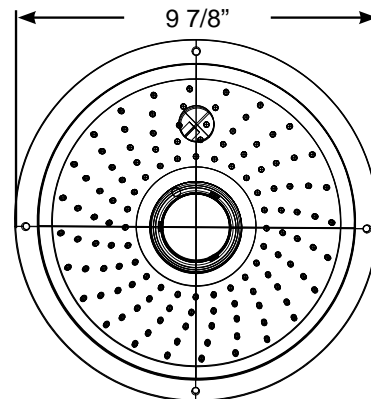


**Round** with new COB LED  
**Mounting Hole:** 8-3/4" Dia.

**#16110** with 12v white LED

**#16111** with 24v white LED

**#16112** without LED



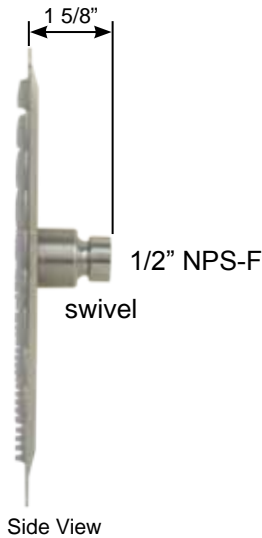
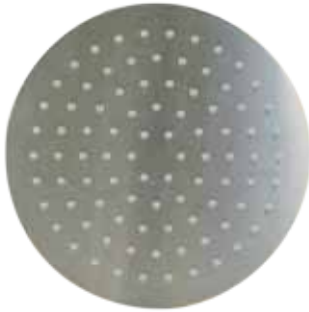


# Shower Heads

## Slim Rain Shower Heads

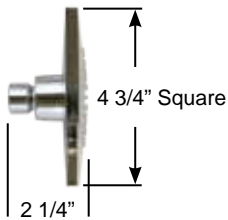
**#74150** Stainless Steel Round Shower with Swivel Head

**Water Connection:** 1/2" NPS-F  
**Material:** 304 Brushed Stainless Steel  
**Dimensions:** 7-7/8" diameter  
**Shipping Weight:** 3 lbs.



**#74151** Stainless Steel Square Shower with Swivel Head

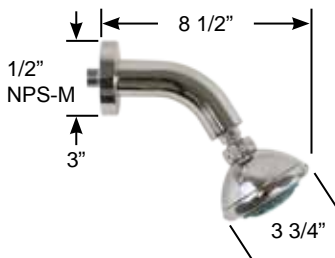
**Water Connection:** 1/2" NPS-F  
**Material:** 304 Brushed Stainless Steel  
**Dimensions:** 7-7/8" x 7-7/8"  
**Shipping Weight:** 3 lbs.



Modern swivel shower head.

**Water Connection:** 1/2" NPS-F  
**Material:** Chrome Plated ABS  
**Shipping Weight:** 2 lbs.

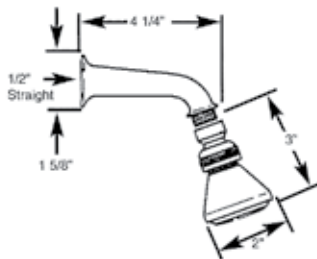
**#07014**



Chrome plated brass arm and trim ring with chrome ABS shower head.

**Water Connection:** 1/2" NPS-M  
**Material:** Chrome plated brass and plastic  
**Shipping Weight:** 2 lbs.

**#70351**

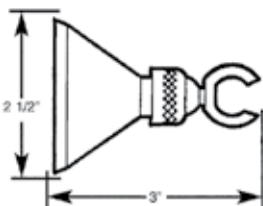


Swivel shower head and extension arm. Emits nice, even stream for showering. Shower head and extension arm sold separately.

**Water Connection:** 1/2" NPS-F  
**Material:** Chrome plated brass  
**Shipping Weight:** 1 lb.

**#10917** Shower head

**#10918** Extension arm



Bulkhead swivel shower handle holder. Fits all showers with **ELBOW** shower handles. Easy single screw installation.

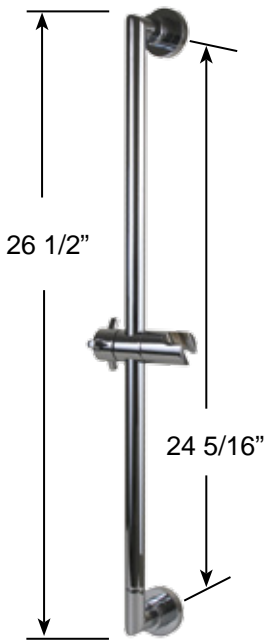
**Material:** Chrome plated brass  
**Shipping Weight:** 2 lbs.

**#10650**



# Shower Rails and Bulkhead Holders for STRAIGHT Handles

Plumbing



Premium heavy-duty adjustable shower rail for our shower kits. Fits all **STRAIGHT** shower handles.

**Material:** Entirely chrome plated brass  
**Rail Diameter:** 7/8"  
**Shipping Weight:** 5 lbs.

**#71005**

Light weight adjustable shower rail for our shower kits. Fits all **STRAIGHT** shower handles.

**Material:** Chrome plated brass rail with chrome ABS end fittings and shower handle holder  
**Rail Diameter:** 3/4"  
**Rail Projection:** 3-1/8"  
**Shipping Weight:** 4 lbs.

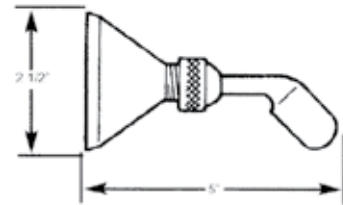
**#14080**



Adjustable bulkhead holder for STRAIGHT shower handles. Swivels 360 degrees for better adjustment.

**Material:** Chrome plated brass  
**Shipping Weight:** 1 lb.

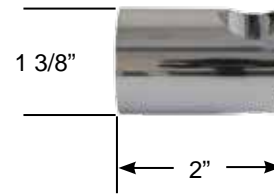
**#10013**



Fixed bulkhead shower holder for STRAIGHT shower handles.

**Material:** Chrome ABS  
**Shipping Weight:** 1 lb.

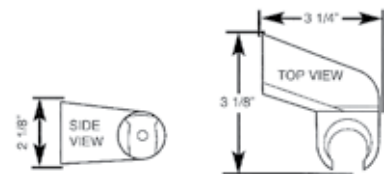
**#14067**



Bulkhead shower holder for STRAIGHT shower handles has adjustable shower angle.

**Material:** Chrome ABS  
**Shipping Weight:** 1 lb.

**#10840**



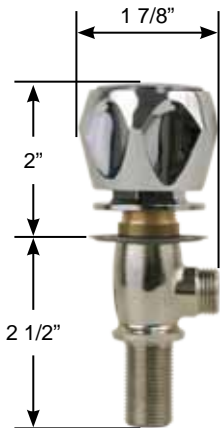
Bulkhead shower holder for STRAIGHT shower handles, has adjustable shower angle.

**Material:** Chrome ABS  
**Shipping Weight:** 1 lb.

**#71004**



## Cold Water Compact Showers Controls



**Compact COLD WATER** tap for shower control. Bulkhead or counter top mount.

**Water Connection:** 3/8" BSP Threaded shaft, 1/2" NPS-M nylon adapter included

**Hose Connection:** 3/8" BSP-M

**Material:** Chrome plated brass faucet body with ABS knob

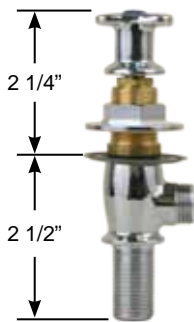
**Mounting Hole:** 7/8"

**Bulkhead or Counter top thickness:** 5/16" to 3/8"

**Shipping Weight:** 2 lbs.

**#10091** Chrome knob

**#10857** White knob



**Compact T-handle COLD WATER** tap for shower control. Bulkhead or counter top mount.

**Water Connection:** 3/8" BSP Threaded shaft, 1/2" NPS-M nylon adapter included

**Hose Connection:** 3/8" BSP-M

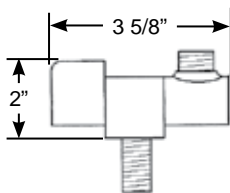
**Material:** Brass faucet body with chrome plated brass knob

**Mounting Hole:** 7/8"

**Bulkhead or Counter top thickness:** 9/16" maximum

**Shipping Weight:** 2 lbs.

**#10856**



**Compact COLD WATER** tap for shower control. Hose fitting swivels 360°

**Water Connection:** 3/8" BSP Threaded shaft, 1/2" NPS-M nylon adapter included

**Hose Connection:** 3/8" BSP-M

**Material:** Chrome plated brass

**Mounting Hole:** 5/8"

**Shipping Weight:** 2 lbs.

**#14084**



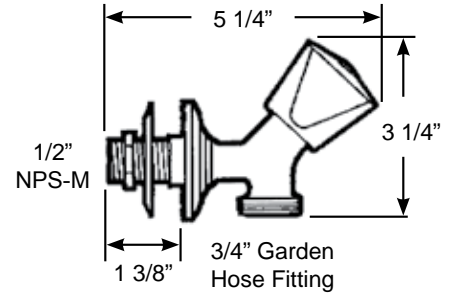
# Washdowns



Rugged all 316 Stainless Steel washdown spigot. Also available with chrome plated brass body with chrome plastic knob. Standard 3/4" garden hose thread provides easy hose attachment for quick washdowns.

**Water Connection:** 1/2" NPS-M threaded shaft. Optional 1/2" hose barb available  
**Flange Diameter:** 2-1/4"  
**Mounting Hole:** 1"  
**Shipping Weight:** 2 lbs.

**#10187** All 316 Stainless Steel  
**#10186** Chrome plated brass



### Installation

For extra thick bulkheads, use a 2" extender **#10092** The included hose barb fitting still works with the extender.



### Stainless Steel Angled Washdown

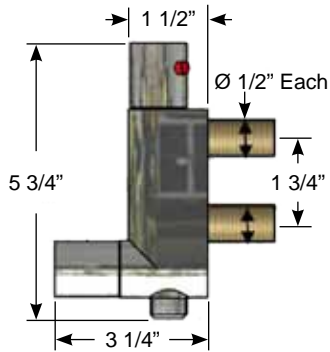
316 Stainless Steel spigot. Mounts easily with 3 #6 screws to bulkhead. 1/4 turn ceramic valve. Standard 3/4" garden hose thread for hose attachment. Includes interchangeable FRESH and RAW pendant.

**Water Connection:** 1/2" NPT-F  
**Flange Diameter:** 2-3/8"  
**Shipping Weight:** 2 lbs.

**#10175** Angled Washdown



## Shower Valves



**Mini-Compact Thermostatic Mixer.** Set the water temperature that you prefer and leave it. Automatically maintains the water temperature output for the shower with incoming water supply temperature fluctuations.

**Water Connection:** (2) 1/2" NPS-M threaded shafts, 1-3/4" center to center

**Shower Hose Connection:** 1/2"

**Material:** Chrome plated brass

**Mounting Hole:** (2) 5/8"

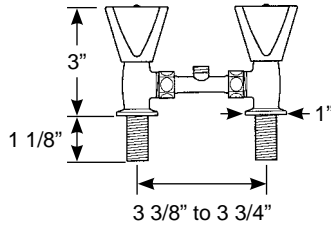
**Shipping Weight:** 4 lbs.

**#16204**



## Mixing Bridges

Mixers with attachment for a shower hose. Quality chrome plated brass bodies with durable ABS knobs. Hose attachment threads swivel to any angle to make horizontal or vertical mounting easy.



**Water Connection:** 3/8" BSP threaded shafts with 1/2" NPS-M nylon adapters included (#10015)

**Shower Hose Connection:** 3/8"

**Material:** Chrome plated brass body with ABS or acrylic knobs

**Mounting Holes:** (2) 5/8"

**Shipping Weight:** 4 lbs.

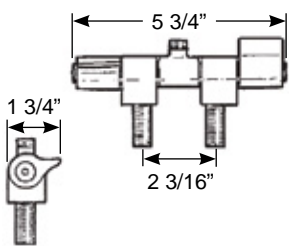
**#10411** Mixer with chrome ABS knobs

**#10401** Mixer with clear acrylic knobs

**#10062** Mixer with chrome ABS triangular knobs



Low-profile mixing bridge.



**Water Connection:** 3/8" BSP threaded shafts with 1/2" NPS-M nylon adapters included

**Shower Hose Connection:** Rotating 3/8"

**Material:** Chrome plated brass

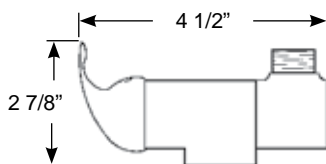
**Mounting Hole:** (2) 5/8"

**Shipping Weight:** 4 lbs.

**#10467**



**Single Lever** mixing bridge. *Features inward opening valve handle to prevent accidental opening in rough conditions while underway.*



**Water Connection:** Flexible supply lines with 1/2" NPS-F fittings

**Shower Hose Connection:** Rotating 3/8"

**Material:** Chrome plated brass

**Mounting Hole:** 1"

**Shipping Weight:** 4 lbs.

**#10813**



## Shower Valves



**Compact** T-handle shower mixer. Side to side movement controls water flow and rotating clockwise or counterclockwise controls temperature.

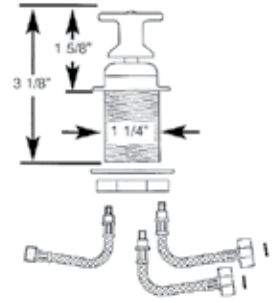
**Water Connection:** 1/2" NPS-F flexible supply lines, 3/8" BSP-M fitting for connection to shower hose

**Material:** Chrome plated brass

**Mounting Hole:** 1-5/16"

**Shipping Weight:** 3 lbs.

**#10617**



Compact single lever shower mixer. Flexible 3/8" BSP-M output line for hose connection.



**Water Connection:** Flexible supply lines with 1/2" NPS-F fittings

**Material:** Chrome plated brass or white powder coat

**Mounting Hole:** 1-15/16"

**Shipping Weight:** 3 lbs.

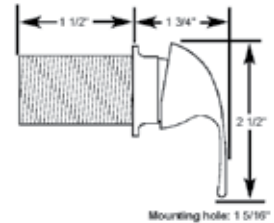
**#10500** Chrome

**#10501** Chrome with 1/2" NPS-F output

**#10504** Chrome with 2 x 10956 15mm speedfit fittings

**#10615** White

**#10625** White with 2 x 10956 15mm speedfit fittings



**Single Lever** mixing valve without an on/off control. This mixer is designed for use with our Push-Button or Euro trigger pull-out shower handles (see #12139 and #12145). With the water pressure turned on simply rotate the valve to adjust the temperature.

**Water Connection:** Flexible supply lines with 1/2" NPS-F fittings

**Hose Connection:** 3/8" BSP-M fitting

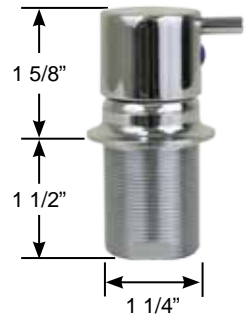
**Material:** Chrome plated brass

**Mounting Hole:** 1-1/4"

**Shipping Weight:** 3 lbs.

**#10623** (Shown)

**#10624** Mixer with on/off control (PVD Coating)



Low Profile Shower Mixer.

**Water Connection:** Flexible supply lines with 3 x 1/2" NPS-F fittings

**Material:** Chrome plated brass

**Mounting Hole:** 1-5/8"

**Shipping Weight:** 3 lbs.

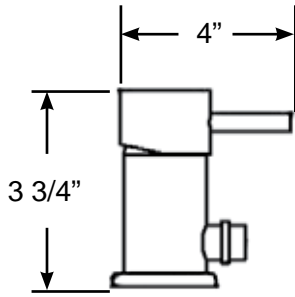
**#16205** Chrome (Shown)

**#16265** Brushed



Requires 4 1/2" Depth for installation of supply lines

# Shower Valves



**Mini-Compact** mixer, supplied with fittings for 3/8" BSP-M and 1/2" NPS-M hose attachment.

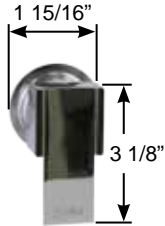
**Water Connection:** Flexible supply lines with 1/2" NPS-F fittings

**Material:** Chrome plated brass

**Mounting Hole:** 1-1/4"

**Shipping Weight:** 4 lbs.

**#16201**



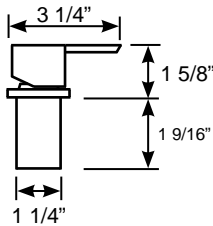
Elka **Geometric** design bulkhead mixer. Ceramic valve.

**Water Connection:** 1/2" NPS-F fittings. 15mm Speedfit adapters included

**Material:** Chrome plated brass

**Mounting Hole:** 1-5/8"

**#70499**



**Water Connection:** 1/2" NPS-F

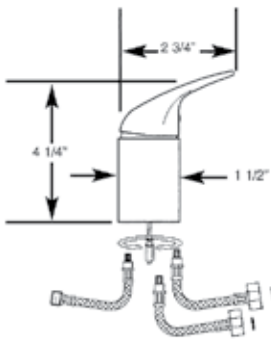
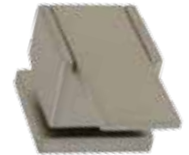
**Material:** Chrome plated brass

**Mounting Hole:** 1-1/4"

**Shipping Weight:** 3 lbs.

**#16251** Brushed Mixer (Shown)

**#16253** Chrome Mixer



**Single Lever** shower mixer with an extended reach. Can be mounted on bulkhead or counter. 3/8" BSP-M flexible output supply line for hose connection.

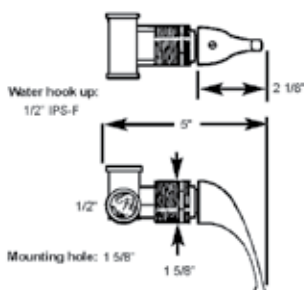
**Water Connection:** Flexible supply lines with 1/2" NPS-F fitting, hose connection 3/8" BSP-M

**Material:** Chrome plated brass

**Mounting Hole:** 1-1/8"

**Shipping Weight:** 4 lbs.

**#10466**



**Single Lever** shower mixer with compact trim ring.

**Water Connection:** 1/2" NPS-F with 1/2" hose barb or 15mm PEX speedfit fittings.

**Material:** Chrome plated brass

**Mounting Hole:** 1-5/8"

**Shipping Weight:** 4 lbs.

**#10479** Includes (3) 1/2" hose barb fittings

**#10507** Includes (3) 15mm PEX speedfit fittings



## Shower Valves



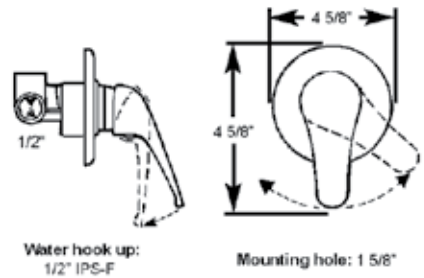
**Single Lever** shower mixer with large trim ring. Includes 3 x 15 mm speedfit fittings for hot and cold supply connection.

**Water Connection:** 1/2" NPS-F with (3) 15mm PEX speedfit fittings included.

**Material:** Chrome plated brass

**Mounting Hole:** 1-5/8"

**Shipping Weight:** 5 lbs.



**#10487** Chrome Includes (3) 15mm PEX speedfit fittings



**Single Lever** shower mixer with large trim ring.

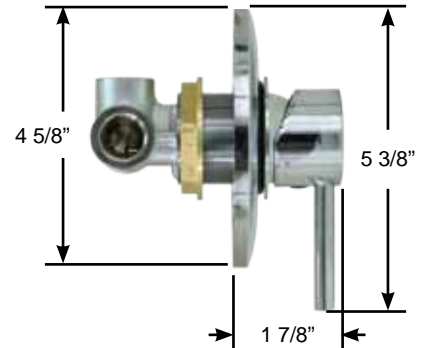
**Water Connection:** 1/2" NPS-F with (3) PEX speedfit fittings included

**Material:** Chrome plated brass

**Mounting Hole:** 1-5/8"

**Trim Ring Diameter:** 4-5/8"

**Shipping Weight:** 5 lbs.



**#10502**



**Nordic** bulkhead mount shower mixer. Requires securing fixture inside bulkhead. Installation requires 2-3/4" behind front of bulkhead.

**Water Connection:** 1/2" NPS-F

**Material:** Chrome plated brass

**Mounting Hole:** 2"

**Shipping Weight:** 5 lbs.



**#70105**



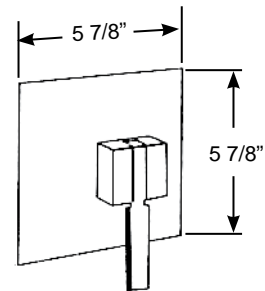
**Yo** bulkhead mount shower mixer with large square trim plate. Requires securing fixture inside bulkhead. Installation requires 2-3/4" behind front of bulkhead.

**Water Connection:** 1/2" NPS-F

**Material:** Chrome plated brass

**Mounting Hole:** 1-3/4"

**Shipping Weight:** 5 lbs.



**#70602**



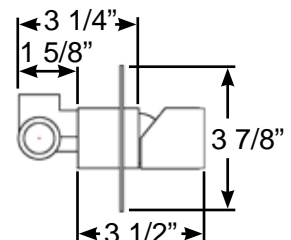
**Elka Otto** Bulkhead or top mount single lever shower mixer.

**Water Connection:** 1/2"

**Material:** Chrome plated brass

**Mounting Hole:** 1-5/8"

**Shipping Weight:** 5 lbs.



**#16316**



# Bulkhead Connections



Diverter for directing water from a mixer to either of two shower fixtures.  
Requires securing fixture inside bulkhead.

**Water Connection:** Input 1/2" NPS-M fitting, Output (2) NPS-F fittings.

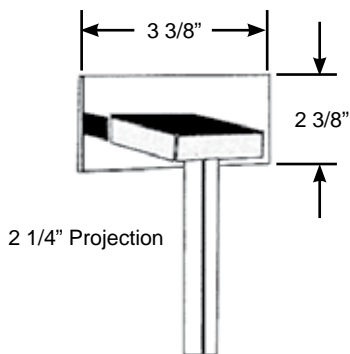
**Material:** Chrome plated brass body and escutcheon with chrome plated ABS knob.

**Mounting System:** Flange and screws

**Mounting Hole:** 2-1/8"

**Shipping Weight:** 5 lbs.

**#16206**



Contemporary bulkhead connection for shower hose.

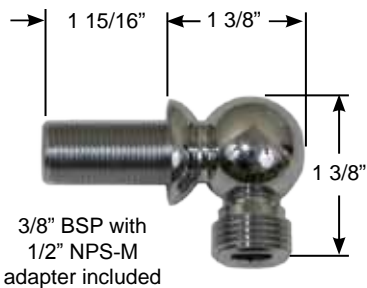
**Water Connection:** 1/2" NPS-M

**Hose Connection:** 1/2" NPS-M

**Material:** Chrome plated brass

**Shipping Weight:** 1 lb.

**#70604**



Compact bulkhead connection for shower hose.

**Water Connection:** 3/8" BSP threaded shaft with 1/2" NPS-M nylon adapter included

**Hose Connection:** 3/8" BSP-M or 1/2" NPS-M

**Material:** Chrome plated brass

**Mounting Hole:** 5/8"

**Shipping Weight:** 1 lb.

**#10003** 3/8" BSP-M hose connection

**#10007** 1/2" NPS-M hose connection



## Combination Fixtures



These fixtures are perfect for compact bathrooms as they act as a **shower and basin faucet in one!** Adjustable spray aerator lets you choose between faucet flow or shower spray. Handle with a built-in on/off valve will help reduce water usage.

See page 25 for #10650 bulkhead holder for ELBOW shower handles.

**Water Connection:** Flexible supply lines with 1/2" NPS-F fittings

**Material:** Chrome plated brass faucet body; standard knob - chrome plated brass; triangle knob - chrome ABS, sprayer handle - chrome plated brass; chrome ABS aerator with ABS grip

**Mounting Hole:** 1-1/4"

**Shipping Weight:** 6 lbs.

#46009 White handle with 5' chrome flex hose

#46010 Black handle with 5' chrome flex hose

#46011 White handle with 5' white nylon hose

#46012 Black handle with 5' black nylon hose

**Same as above with Triangle Knob:**

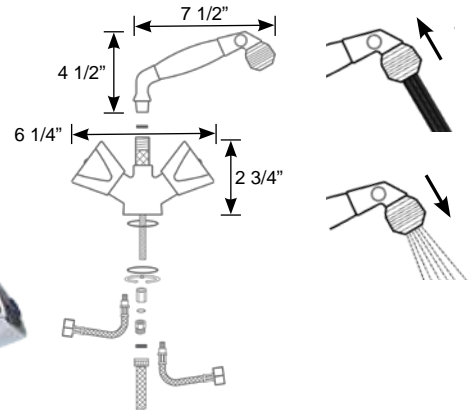
#46024 White handle with 5' chrome flex hose

#46025 Black handle with 5' chrome flex hose

#46026 White handle with 5' white nylon hose

#46027 Black handle with 5' black nylon hose

#46029 Black handle with 6" chrome flex hose



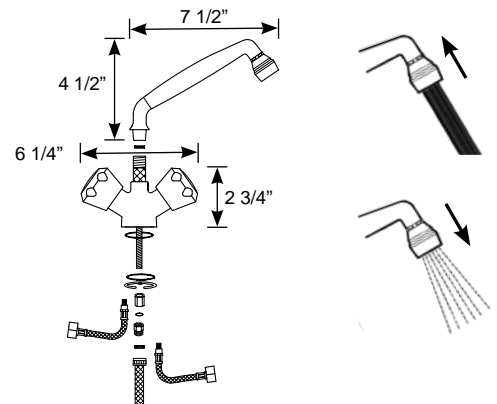
### Standard combo and shower handle **WITHOUT** on/off valve

#46000 White handle with 5' white nylon hose

#46001 Black handle with 5' black nylon hose

#46002 White handle with 5' chrome flex hose

#46003 Black handle with 5' chrome flex hose



# Combination Fixtures



Our popular **EURO** styled handle and **STANDARD TRIGGER** handle both offer trigger control for intermittent on/off or locked open for a continuous water flow. 1/4 turn ceramic valves.

See page 25 for #10650 bulkhead holder for ELBOW shower handles.

**Water Connection:** Flexible supply lines with 1/2" NPS-F fittings

**Material:** Chrome plated brass faucet body; standard knob - chrome plated brass; triangle knob - chrome ABS; Euro sprayer handle - chrome plated brass and ABS; Standard Trigger handle - chrome plated brass and glass reinforced nylon.

**Mounting Hole:** 1-1/4"

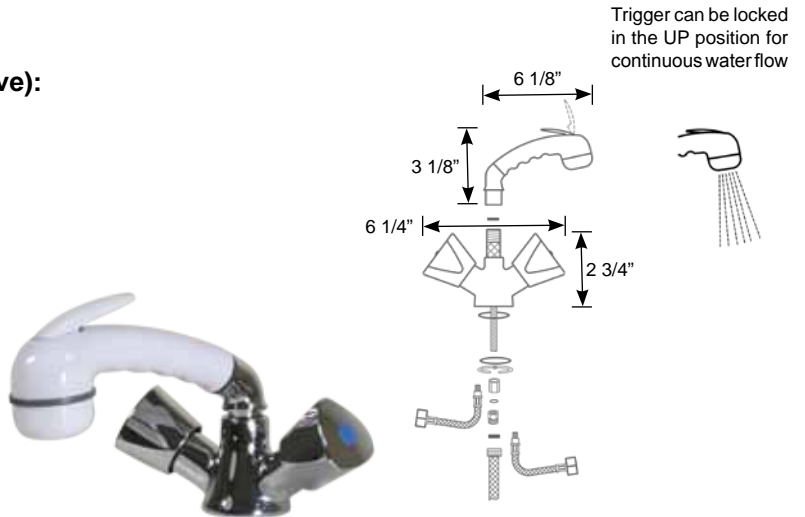
**Shipping Weight:** 6 lbs.

**Standard combo with Euro handle (shown above):**

- #46013 White handle with 5' white nylon hose
- #46014 Black handle with 5' black nylon hose
- #46015 Chrome handle with 5' white nylon hose
- #46016 Chrome handle with 5' black nylon hose
- #46017 White handle with 5' chrome flex hose
- #46018 Black handle with 5' chrome flex hose
- #46019 Chrome handle with 5' chrome flex hose

**Same as above with Triangle Knob:**

- #46020 White handle with 5' white nylon hose
- #46021 Black handle with 5' black nylon hose
- #46022 Chrome handle with 5' black hose
- #46023 Chrome handle with 5' white hose

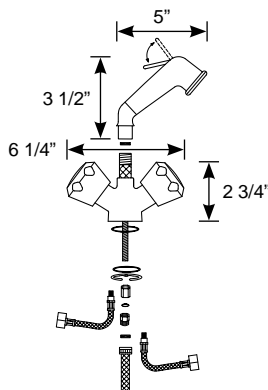


**Standard Trigger combo**

- #46004 White handle with 5' chrome flex hose
- #46005 Black handle with 5' chrome flex hose
- #46006 White handle with 5' white nylon hose
- #46007 Black handle with 5' black nylon hose



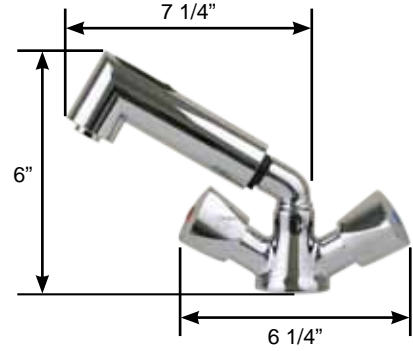
Trigger can be locked in the UP position for continuous water flow



## Combination Fixtures



aerated water flow or shower



**NEW** Combination faucet and shower with 5' pull-out hose. Press the button on back of handle to switch between aerated water flow or shower spray. 1/4 turn ceramic valves.

**Water Connection:** Flexible supply lines with 1/2" NPS-F fittings

**Material:** Chrome plated brass body with chrome ABS sprayer handle

**Mounting Hole:** 1-1/4"

**Shipping Weight:** 5 Lbs.

**#46030** with 5' White nylon hose

**#46031** with 5' Black nylon hose

**#46032** with 5' Chrome Flex hose



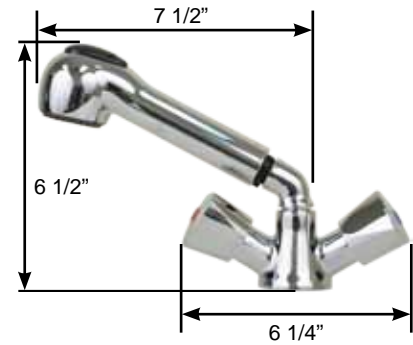
**#46036** with 5' Chrome Flex Hose



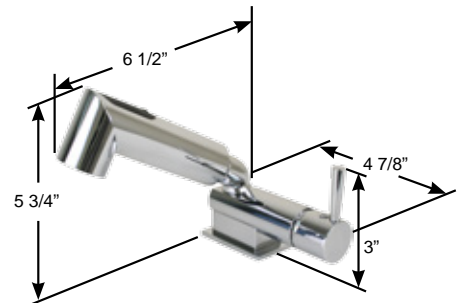
**#46033** with 5' White nylon hose  
**#46034** with 5' Black nylon hose  
**#46035** with 5' Chrome Flex hose



aerated water flow or shower



aerated water flow or shower



All **NEW Minimalistic** single lever design combination faucet and shower mixer. Press the button on back of handle to switch between aerated water flow or shower spray. Ceramic valves. *Features inward opening valve handle to prevent accidental opening in rough conditions while underway.*

**Water Connection:** Flexible supply lines with 1/2" NPS-F fittings

**Material:** Chrome plated brass body with chrome ABS sprayer handle

**Mounting Hole:** (2) 1-1/4" holes, 1-1/16" center to center. Cutting template included

**Shipping Weight:** 5 Lbs.

**#16216** with 5' Nylon Braid Hose (#15995)

## Combination Fixtures

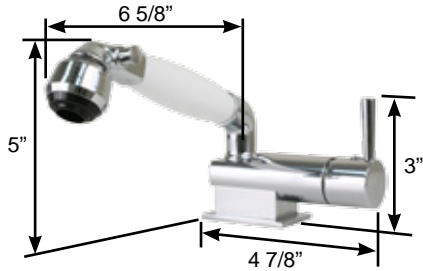
All **NEW Minimalistic** single lever design combination faucet and shower mixer. Ceramic valves. *Features inward opening valve handle to prevent accidental opening in rough conditions while underway.*

**Water Connection:** Flexible supply lines with 1/2" NPS-F fittings

**Material:** Chrome plated brass body. Sprayer handle with 5' chrome-flex hose

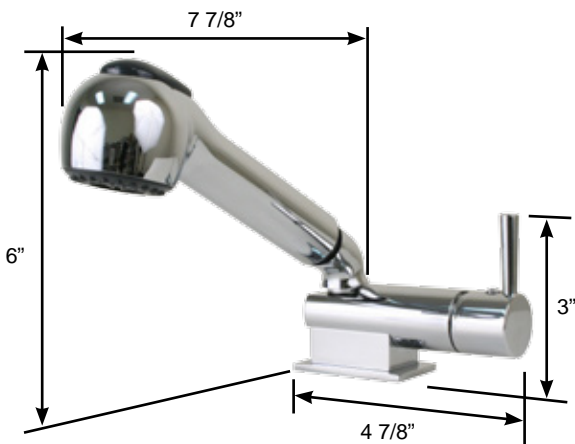
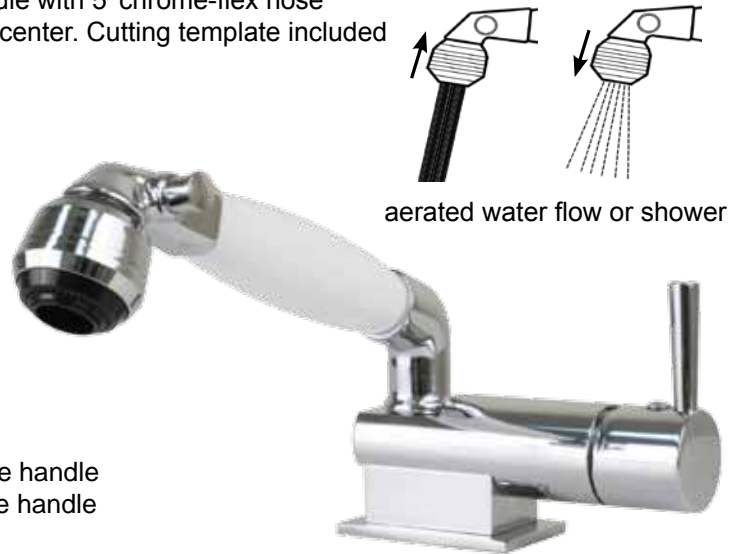
**Mounting Hole:** (2) 1-1/4" holes, 1-1/16" center to center. Cutting template included

**Shipping Weight:** 5 Lbs.

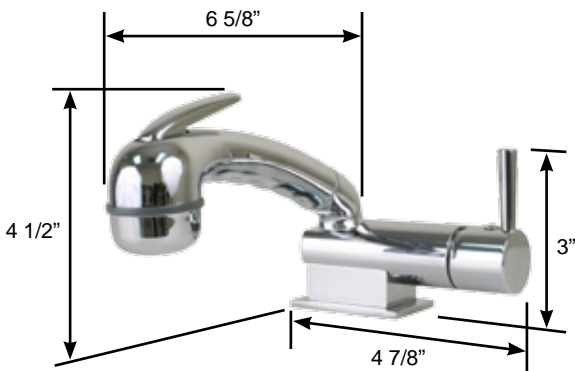
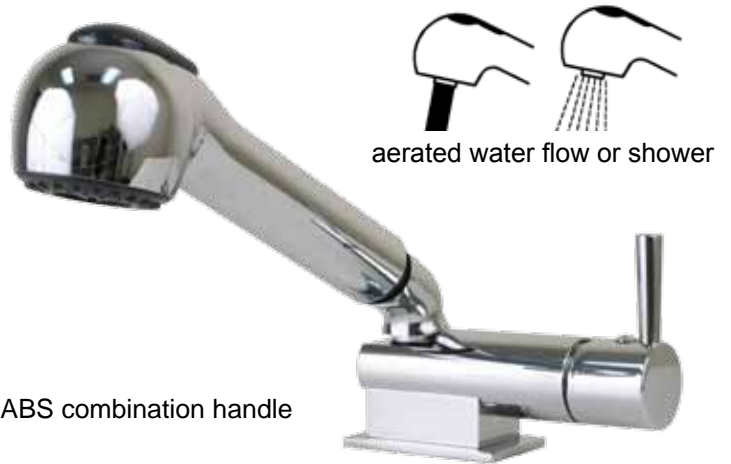


**#14417** White on/off valve handle

**#14419** Black on/off valve handle



**#14410** Chrome ABS combination handle



**#14414** Chrome ABS Euro handle



## Cold Water Combination Fixtures



**COLD WATER** faucet and shower combination with adjustable aerator and built-in water on/off valve. 1/4 turn ceramic valve.

**Water Connection:** Flexible supply line with 1/2" NPS-F input fitting and 3/8" BSP-M output fitting to hose.

**Material:** Chrome plated brass

**Shipping Weight:** 4 lbs.

**#14411** Black handle with 5' black nylon hose

**#14412** White handle with 5' white nylon hose

**#14415** Black handle with 5' chrome-flex hose

**#14416** White handle with 5' chrome-flex hose



**COLD WATER** faucet and shower combination. Press button on handle to switch from aerator flow to shower spray.

**Material:** Chrome plated brass, Chrome ABS handle.

**#14406** with 5' white hose

**#14407** with 5' black hose

**#14408** with 5' chrome flex hose

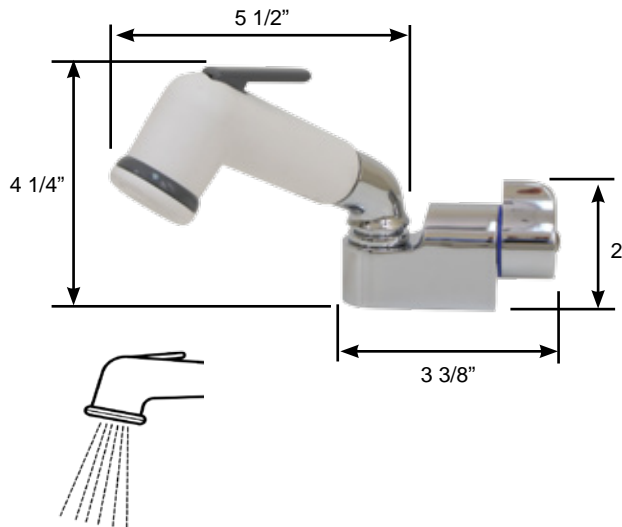


**COLD WATER** faucet and shower combination with standard trigger handle. 1/4 turn ceramic valve.

**Material:** Chrome plated brass, glass reinforced nylon handle

**#14413** White handle with 5' white nylon hose

**#14405** Black handle with 5' chrome flex hose



## Pull-Out Galley Faucets



**Compact** galley or basin faucet with pull-out spout. Same faucet as above with more compact handle. 5' chrome-flex hose. This faucet does **NOT** swivel. 1/4 turn ceramic valve.

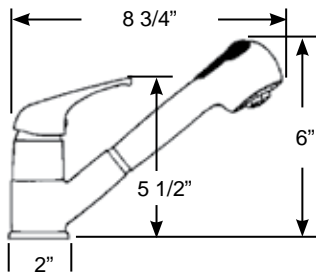
**Water Connection:** Flexible supply lines with 1/2" NPS-F fittings

**Material:** Chrome plated brass, chrome plastic handle

**Mounting Hole:** 1-1/2"

**Shipping Weight:** 6 lbs.

**#10881**



Basin mixer with pull-out shower. Push button spray pattern adjustment located on handle. 5' chrome flex hose. This faucet does **NOT** swivel. 1/4 turn ceramic valve.

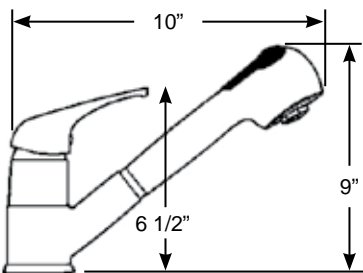
**Water Connection:** Flexible supply lines with 1/2" NPS-F fittings

**Material:** Chrome plated brass, chrome ABS plastic handle

**Mounting Hole:** 1-1/2"

**Shipping Weight:** 6 lbs.

**#10880**



**Single Lever** swivel spout galley mixer with pull-out sprayer. Push-button spray pattern adjustment located on spray handle. 5' chrome-flex hose. 1/4 turn ceramic valve.

**Water Connection:** Flexible supply lines with 1/2" NPS-F fittings

**Material:** Chrome plated brass body; chrome ABS plastic handle

**Mounting Hole:** 1-1/2"

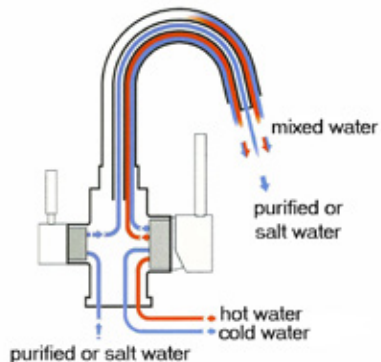
**Shipping Weight:** 6 lbs.

**#10871**

**#10626** Includes (2) 15mm Speedfit adapters #10956



## Galley Faucets



Elka **Minimalistic** galley faucet, multi-chambered spout with **integrated raw or filtered water dispenser**. Ceramic valves.

**Water Connection:** Flexible supply lines with 1/2" NPS-F fittings

**Filtered or salt water connection:** Flexible supply line with 3/8" NPS-M fitting

**Material:** Chrome plated brass

**Mounting Hole:** 1-5/16"

**Shipping Weight:** 8 lbs.

**#16002** Shown

**#16062** Brushed (Special Order)



**Nordic J-spout** galley mixer. Ceramic valve.

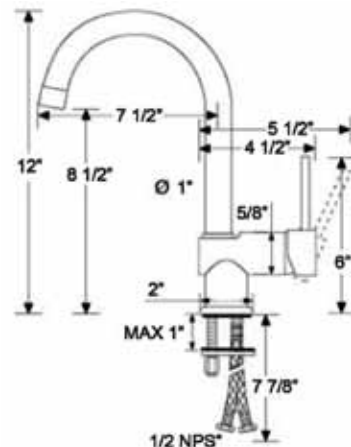
**Water Connection:** Flexible supply lines with 1/2" NPS-F fittings

**Material:** Chrome plated brass

**Mounting Hole:** 1-1/2"

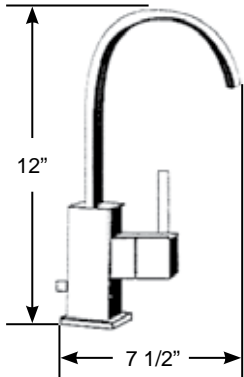
**Shipping Weight:** 5 lbs.

**#70104**





# Galley Faucets



Yo J-spout galley mixer. Ceramic valve.

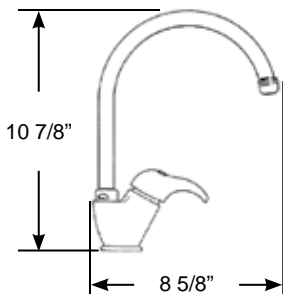
**Water Connection:** Flexible supply lines with 1/2" NPS-F fittings

**Material:** Chrome plated brass

**Mounting Hole:** 1-1/4"

**Shipping Weight:** 9 lbs.

**#70601**



Single Lever U-shaped swivel spout galley mixer. Ceramic valve.

**Water Connection:** Flexible supply lines with 1/2" NPS-F fittings

**Material:** Chrome plated brass

**Mounting Hole:** 1-1/4"

**Shipping Weight:** 6 lbs.

**#10637**



## Galley Faucets



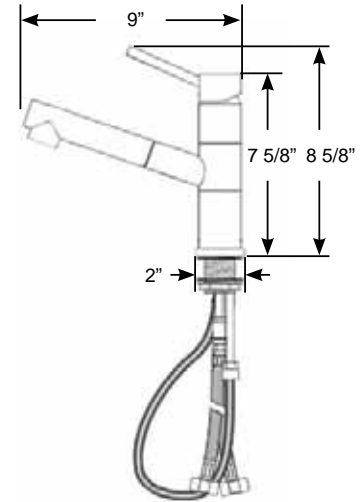
Minimalistic compact mixer for basin or small galley. Swivel, pull-out spout with push-button spray selector between straight flow and shower spray. Handle pulls out 3'. Ceramic valve.

**Water Connection:** Flexible supply lines with 1/2" NPS-F fittings

**Mounting Hole:** 1-1/2"

**Shipping Weight:** 6 lbs.

**#14423** Chrome Plated Brass



**Minimalistic** compact mixer for basin or small galley with swivel spout. Spout does **NOT** pull out. Ceramic valve.

**Water Connection:** Flexible supply lines with 1/2" NPS-F fittings

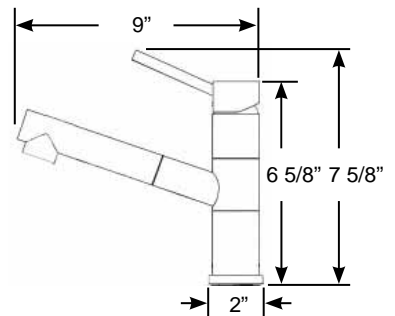
**Material:** Chrome plated brass

**Mounting Hole:** 1-1/2"

**Shipping Weight:** 5 lbs.

**#14421** (Shown)

**#14424** 3" shorter spout



NEW

Nordic Galley Mixer

Made of durable, low maintenance Passivated 304 Stainless Steel. This light weight faucet is perfect for installation for galley or bar. Does not swivel.

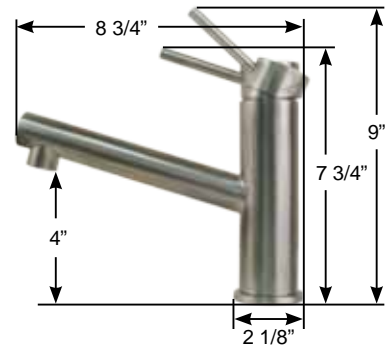
**Water Connection:** Flexible supply lines with 1/2" NPS-F fittings

**Material:** Passivated 304 Stainless Steel, Brushed Finish

**Mounting Hole:** 1-1/4"

**Shipping Weight:** 5 lbs.

**#74121**



NEW

Nordic Pull-Out Galley Mixer

Made of durable, low maintenance Passivated 304 Stainless Steel. This light weight faucet is perfect for installation for galley or bar. Does not swivel.

**Water Connection:** Flexible supply lines with 1/2" NPS-F fittings

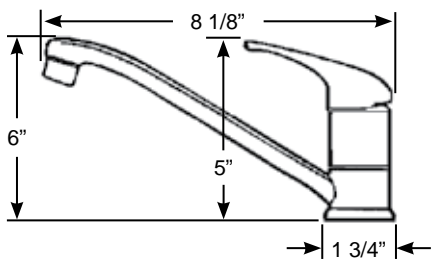
**Material:** Passivated 304 Stainless Steel, Brushed Finish

**Mounting Hole:** 1-1/4"

**Shipping Weight:** 5 lbs.

**#74122**





Single lever basin or small galley mixer. Swivel spout. Ceramic valve.

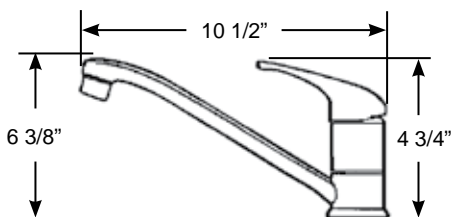
**Water Connection:** Flexible supply lines with 1/2" NPS-F fittings

**Material:** Chrome plated brass

**Mounting Hole:** 1-1/4"

**Shipping Weight:** 4 lbs.

**#10480**



Single lever swivel spout galley mixer. Ceramic valve.

**Water Connection:** Flexible supply lines with 1/2 NPS-F fittings

**Material:** Chrome plated brass

**Mounting Hole:** 1-1/4"

**Shipping Weight:** 6 lbs.

**#10488**





Classic swivel J-spout galley mixer. 1/4 turn ceramic valves.

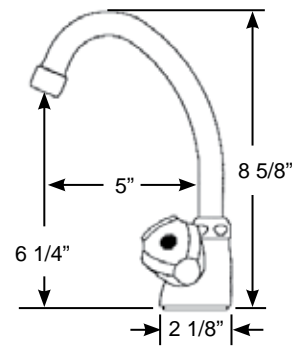
**Water Connection:** Flexible supply lines with 1/2" NPS-F fittings

**Material:** Chrome plated brass

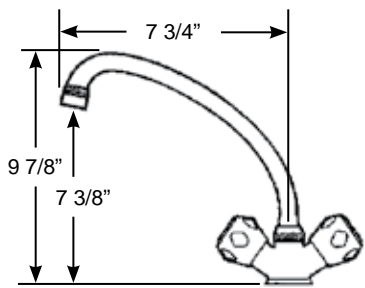
**Mounting Hole:** 1-3/8"

**Shipping Weight:** 4 lbs.

**#70002**



# Galley Faucets



Galley mixer with high-reach swivel spout. 1/4 turn ceramic valves.

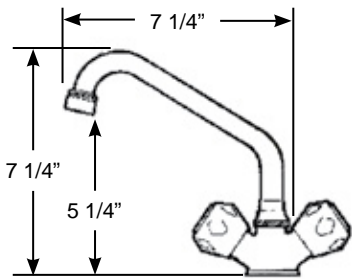
**Water Connection:** Flexible supply lines with 1/2 NPS-F fittings

**Material:** Chrome plated brass

**Mounting Hole:** 1-1/4"

**Shipping Weight:** 5 lbs.

**#10438** Standard knob



Our most popular galley mixer design with swivel spout. 1/4 turn ceramic valves.

**Water Connection:** Flexible supply lines with 1/2 NPS-F fittings

**Material:** Chrome plated brass; chrome plastic triangular knobs

**Mounting Hole:** 1-1/4"

**Shipping Weight:** 5 lbs.

**#10422** Standard knob

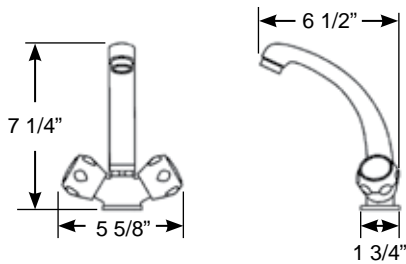
**#10897** Triangle knob



10422



10897



Heavy duty standard swivel spout mixer. 1/4 turn ceramic valves.

**Water Connection:** Flexible supply lines with 1/2" NPS-F fittings

**Material:** Chrome plated brass

**Mounting Hole:** 1-1/4"

**Shipping Weight:** 5 lbs.

**#10458**



## Compact Galley or Basin Faucets



**Elka Otto** Compact galley or basin mixer. 1/4 turn ceramic valves

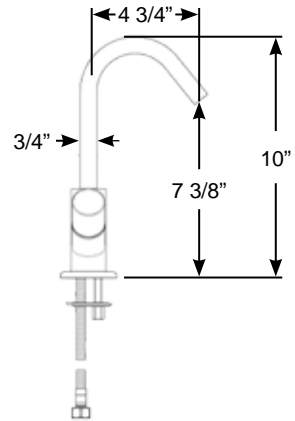
**Water Connection:** Flexible supply lines with 1/2" NPS-F fittings

**Material:** Chrome plated brass

**Mounting Hole:** 1-3/4"

**Shipping Weight:** 6 lbs.

**#16311**



**Zen** Galley Faucet mixer. Tall and elegant, this ultra contemporary design with swivel spout will be just the faucet for the modern galley. Ceramic valve.

**Water Connection:** 9" Flexible supply lines with 1/2" NPS-F fittings

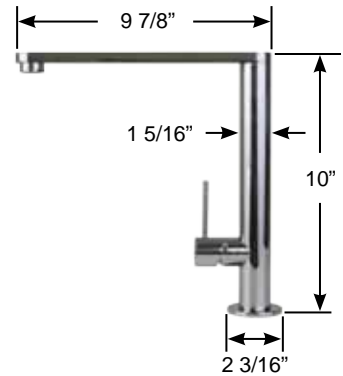
**Material:** Chrome plated brass

**Mounting Hole:** 1-3/8"

**Shipping Weight:** 7 lbs.

**#16211**

Also available in a shorter version see #16210 on page 51



Galley Faucet mixer with a unique Adjustable Up and Down Swivel Spout with a Pull-Out Spray Handle. Ceramic valve.



**Water Connection:** Flexible supply lines with 1/2" NPS-F fittings

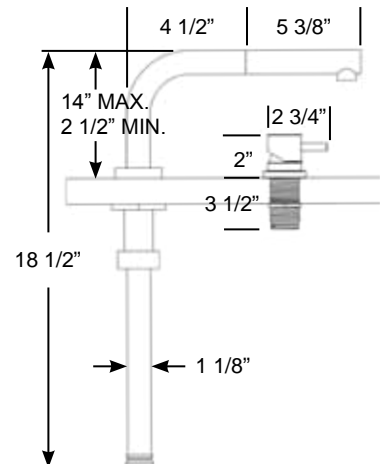
**Material:** Chrome plated brass

**Mounting Hole:** 1-3/8" X 2

**Shipping Weight:** 9 Lbs.



**#16212**



## Compact Galley or Basin Faucets



Elka **Geometric** design bulkhead mixer and spout. Ceramic valve.

**Water Connection:** 1/2" NPS-F fittings on mixer. 15mm Speedfit adapters included, 3/8" male on spouts

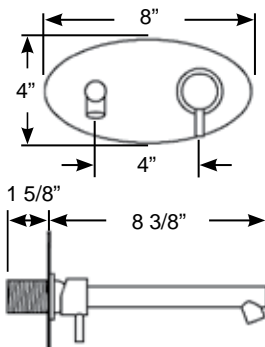
**Material:** Chrome plated brass

**Mounting Hole (Mixer):** 1-5/8"

**Mounting Hole (Spout):** 5/8"

**#40502** Mixer with 4-3/4" Spout

**#70503** Mixer with 7" Spout (Shown)



Elka **Mini-Compact** bulkhead mount spout with mixer and trim plate with BLUE LED accent on edge of trim plate. Ceramic valve.

**Water Connection:** Flexible supply lines with 1/2" NPS-F fittings

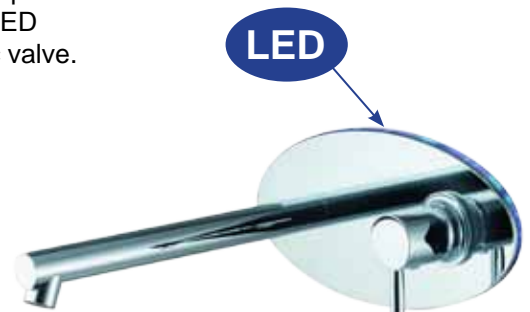
**Material:** Chrome plated brass

**Mounting Hole:** 2"

**Shipping Weight:** 5 lbs.

**#16202** 12V LED accent

**#16203** Without LED accent

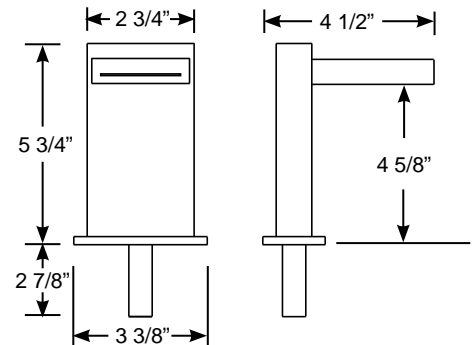
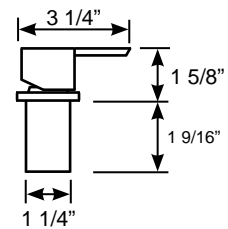


# Basin Faucets

Plumbing

**INN COLLECTION** Contemporary closed spout basin faucet. Other dimensions and finishes available by special order. Includes adjustable flow regulator. Ceramic valve.

**Mixer and Spout s ordered separately.**

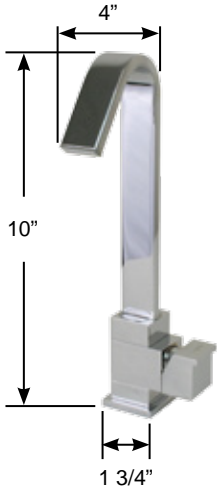


**Water Connection:** 1/2" NPS-F  
**Shipping Weight:** Spout 5 lbs., Mixer 3 lbs.

- #16250 Brushed Spout (Shown)
- #16252 Chrome Spout
- #16251 Brushed Mixer (Shown)
- #16253 Chrome Mixer



# Basin Faucets

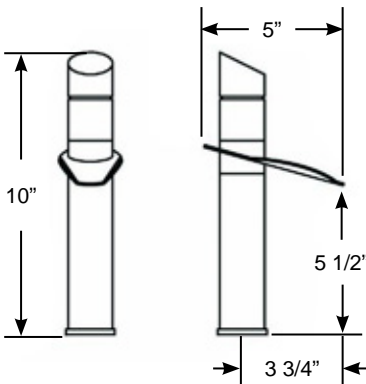


**NEW Geometric** High Swivel Spout mixer. Ceramic valve.

*Features inward opening valve handle to prevent accidental opening in rough conditions while underway.*

**Water Connection:** Flexible supply lines with 1/2" NPS-F fittings  
**Material:** Chrome plated brass  
**Mounting Hole:** 1-1/8"  
**Shipping Weight:** 5 lbs.

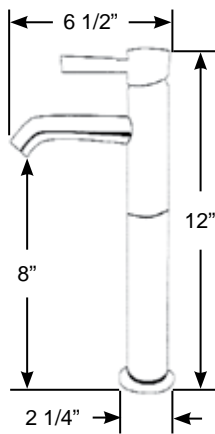
**#16007**



**Elka Single Lever** waterfall basin mixer. Ceramic valve.

**Water Connection:** Flexible supply lines with 1/2" NPS-F fittings  
**Material:** Chrome plated brass  
**Mounting Hole:** 1-3/8"  
**Shipping Weight:** 4 lbs.

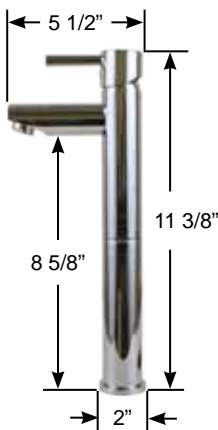
**#16001**



**Nordic** raised deck mount mixer for vessel sinks. Ceramic valve.

**Water Connection:** Flexible supply lines with 1/2" NPS-F fittings  
**Material:** Chrome plated brass  
**Mounting Hole:** 2"  
**Shipping Weight:** 5 lbs.

**#70108**



Raised deck mount mixer for vessel sinks. Ceramic valve.

**Water Connection:** Flexible supply lines with 1/2" NPS-F fittings  
**Material:** Chrome plated brass  
**Mounting Hole:** 1-3/8"  
**Shipping Weight:** 5 lbs.

**#07006**



# Basin Faucets



**Essenza** Basin Faucet, tall and slim design with swivel spout. Ceramic valve.

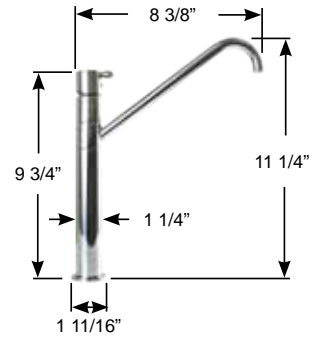
**Water Connection:** Flexible supply lines with 1/2" NPS-F fittings

**Material:** Chrome plated brass

**Mounting Hole:** 1-1/4"

**Shipping Weight:** 5 lbs.

**#16214**



**Elka** compact mixer for basins or small galleys. Swivel spout. Ceramic valve.

**Water Connection:** Flexible supply lines with 1/2" NPS-F fittings

**Material:** Chrome plated brass

**Mounting Hole:**

**Shipping Weight:**

**#16191**

Also available in a cold tap version see #16190 on page 54



**Elka Otto** tall single lever basin mixer with long spout.

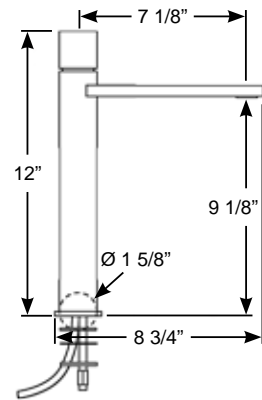
**Water Connection:** Flexible supply lines with 1/2" NPS-F fittings

**Material:** Chrome plated brass

**Mounting Hole:** 1-5/8"

**Shipping Weight:**

**#16313**



**Elka Otto** single lever basin mixer.

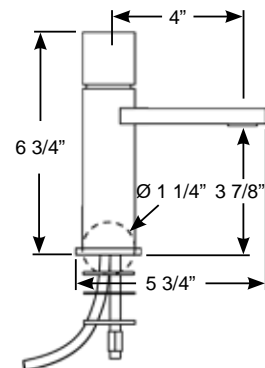
**Water Connection:** Flexible supply lines with 1/2" NPS-F fittings

**Material:** Chrome plated brass

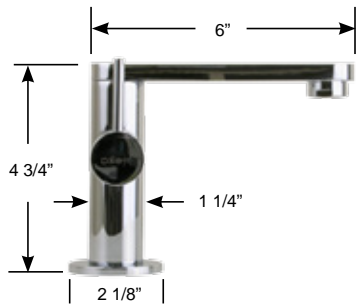
**Mounting Hole:** 1-1/4"

**Shipping Weight:**

**#16312**



## Basin Faucets



Compact **Zen** Basin Mixer. Contemporary design matches **Zen** Galley Faucet #16211. Spout does not swivel. Ceramic valve.

**Water Connection:** Flexible supply lines with 1/2" NPS-F fittings

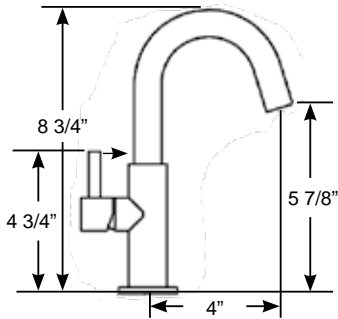
**Material:** Chrome plated brass

**Mounting Hole:** 1-1/4"

**Shipping Weight:** 4 Lbs.

**#16210**

Also available in a taller version see #16211 on page 46



Compact galley or basin mixer. Ceramic Valve

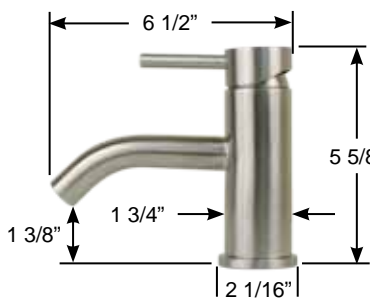
**Water Connection:** 1/2"

**Material:** Chrome plated brass

**Mounting Hole:** 1-1/4"

**Shipping Weight:** 4 Lbs.

**#16200**



**Nordic** SS Galley or Basin mixer made of durable, low maintenance **Passivated 304 Stainless Steel**. This light weight faucet is perfect for installation on flybridge or aft cockpit locations. Ceramic valve.

**Water Connection:** Flexible supply lines with 1/2" NPS-F fittings

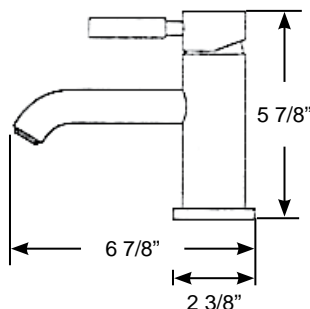
**Material:** Passivated 304 Stainless Steel

**Finish:** Brushed

**Mounting Hole:** 1-1/4"

**Shipping Weight:** 5 Lbs.

**#74103**



**Nordic** single lever basin mixer. Ceramic valve.

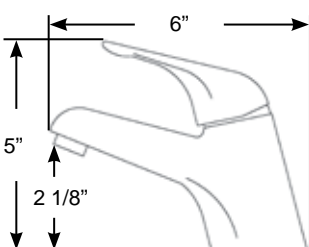
**Water Connection:** Flexible supply lines with 1/2" NPS-F fittings

**Material:** Chrome plated brass

**Mounting Hole:** 1-3/8"

**Shipping Weight:** 6 lbs.

**#70103**



**Single Lever** basin mixer. Ceramic valve.

**Water Connection:** Flexible supply lines with 1/2" NPS-F fittings

**Material:** Chrome plated brass

**Mounting Hole:** 1-1/2"

**Shipping Weight:** 6 lbs.

**#10485**



## Basin Faucets



Minimalistic compact single lever basin mixer. Ceramic valve.

**Water Connection:** Flexible supply lines with 1/2" NPS-F fittings

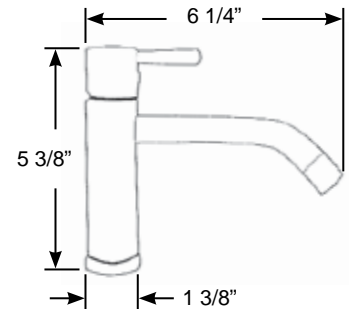
**Material:** Chrome plated brass

**Mounting Hole:** 1"

**Shipping Weight:** 3 lbs.

**#14420 Chrome Finish**

**#16198 Brushed Finish**



Yo Family contemporary single lever basin mixer. Ceramic valve.

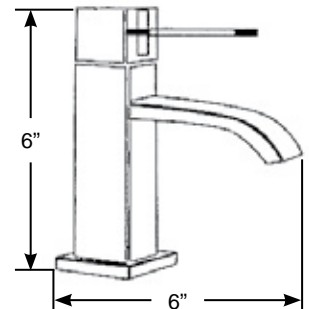
**Water Connection:** Flexible supply lines with 1/2" NPS-F fittings

**Material:** Chrome plated brass

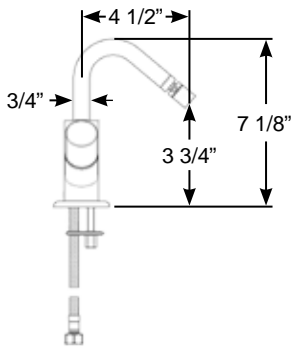
**Mounting Hole:** 1-3/8"

**Shipping Weight:** 4 lbs.

**#70600**



## Basin Faucets



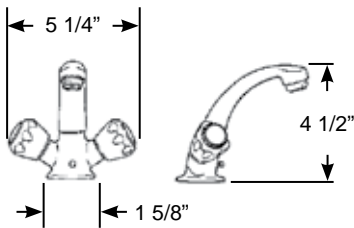
**Elka Otto** basin and bidet mixer with swivel aerator.

**Water Connection:** Flexible supply lines with 1/2" NPS-F fittings  
**Material:** Chrome plated brass  
**Mounting Hole:** 1-3/4"  
**Shipping Weight:** 6 Lbs.

**#16310**

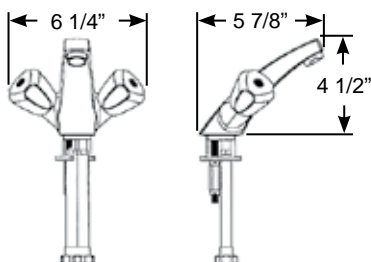


Heavy-duty basin mixer with cast brass spout. 1/4 turn ceramic valves.



**Water Connection:** Flexible supply lines with 1/2" NPS-F fittings  
**Material:** Chrome plated brass, triangle knob is chrome plastic  
**Mounting Hole:** 1-1/4"  
**Shipping Weight:** 5 lbs.

**#10410** Standard knob  
**#14371** Triangle knob



**Classic** basin mixer. 1/4 turn ceramic valves.

**Water Connection:** Flexible supply lines with 1/2" NPS-F fittings  
**Material:** Chrome plated brass  
**Mounting Hole:** 1-3/8"  
**Shipping Weight:** 5 lbs.

**#70001**

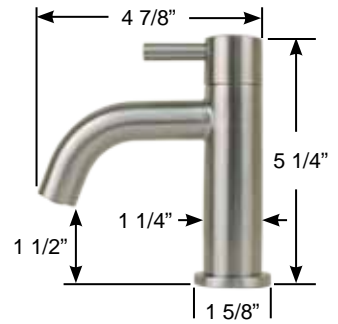


## Cold Water Galley or Bar Taps



**Nordic SS** brushed single lever basin **COLD WATER** tap, light weight, low maintenance **Passivated 304 Stainless Steel**. 1/4 turn ceramic valve.

**Water Connection:** 1/2" NPS-M  
**Material:** Passivated 304 Stainless Steel  
**Finish:** Brushed  
**Mounting Hole:** 7/8"  
**Shipping Weight:** 3 lbs.

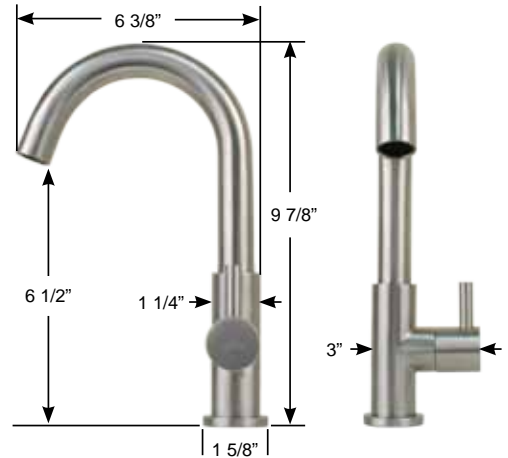


**#74106**



**Nordic SS** brushed single lever basin **COLD WATER** tap, light weight, low maintenance **Passivated 304 Stainless Steel**. 1/4 turn ceramic valve.

**Water Connection:** 1/2" NPS-M  
**Material:** Passivated 304 Stainless Steel  
**Finish:** Brushed  
**Mounting Hole:** 7/8"  
**Shipping Weight:** 5 lbs.

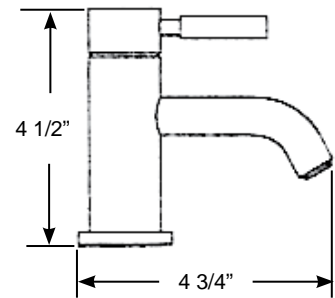


**#74107**



**Nordic contemporary** single lever **COLD WATER** basin or bar tap. 1/4 turn ceramic valve.

**Water Connection:** 1/2" NPS-M threaded shaft  
**Material:** Chrome plated brass  
**Mounting Hole:** 5/8"  
**Shipping Weight:** 4 lbs.



**#70106**

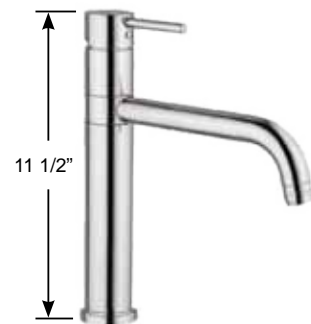


**Elka compact Cold Water** basin tap. 1/4 turn ceramic valve.

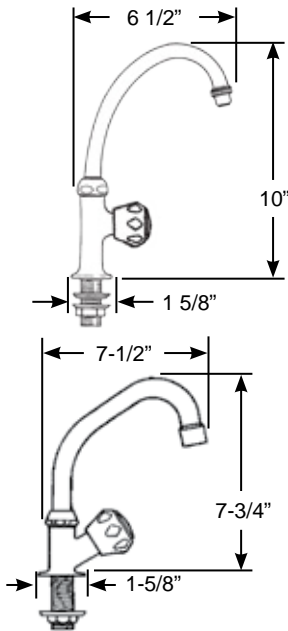
**Water Connection:** Flexible supply line with 1/2" NPS-F fittings  
**Material:** Chrome plated brass  
**Mounting Hole:**  
**Shipping Weight:**

**#16190**

Also available in a mixer version see #16191 on page 50



## Cold Water Galley or Bar Taps



Standard **COLD WATER** tap with swivel spout. 1/4 turn ceramic valve.

**Water Connection:** 1/2" NPS-M

**Material:** Chrome plated brass body and spout with chrome plated ABS plastic knobs

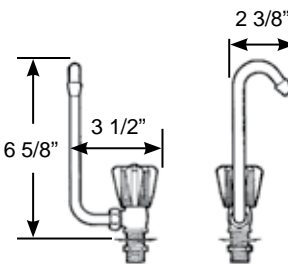
**Mounting Hole:** 7/8"

**Shipping Weight:** 4 lbs.

**#10172** J Spout Standard knob

**#10618** J Spout Triangle knob

**#10169** Double Bend Spout Standard Knob



Folding **COLD WATER** tap. Ideal for installing in a sink, under a seat or in a bait station. Vertical or horizontal installation.

**Water Connection:** 3/8" BSP-M threaded shaft, 1/2" NPS-M adapter included

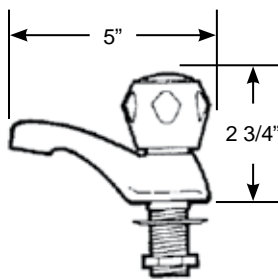
**Material:** Chrome plated brass with clear acrylic or chrome plated ABS plastic triangle knob

**Mounting Hole:** 5/8"

**Shipping Weight:** 4 lbs.

**#10056** Clear acrylic knob

**#10089** Triangle knob



Heavy-duty cast brass **COLD WATER** basin tap.

**Water Connection:** 1/2" NPS-M

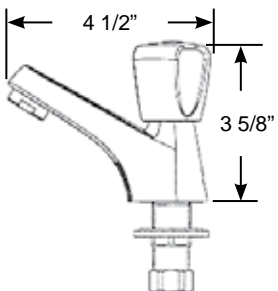
**Material:** Chrome plated brass body with chrome plated ABS plastic knobs

**Mounting Hole:** 7/8"

**Shipping Weight:** 3 lbs.

**#10050** Standard knob

**#10760** Triangle knob



Classic **COLD WATER** basin tap. 1/4 turn ceramic valve.

**Water Connection:** 1/2" NPS-M

**Material:** Chrome plated brass

**Mounting Hole:** 7/8"

**Shipping Weight:** 3 lbs.

**#70000**



# Folding Faucets

Plumbing



Covered Sink



Sink Mount

Elka contemporary folding mixer with swivel spout. Ceramic valve.

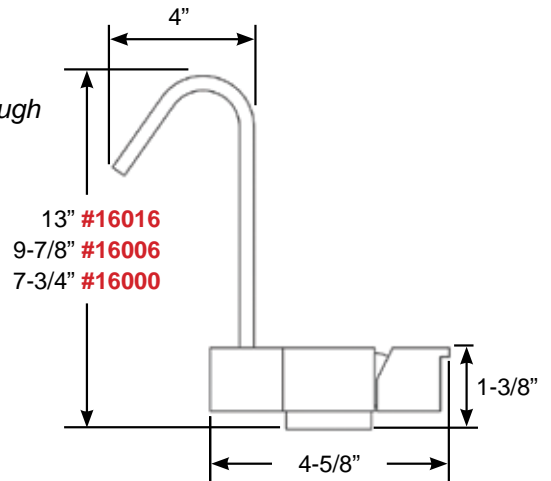
*Features inward opening valve handle to prevent accidental opening in rough conditions while underway.*

**Water Connection:** Flexible supply lines with 1/2" NPS-F fittings

**Material:** Chrome plated brass

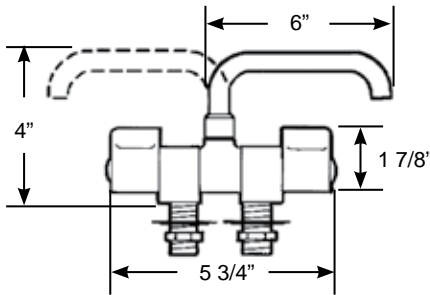
**Shipping Weight:** 4 lbs.

- #16000 with 7-3/4" Spout (shown), #16020 Brushed Finish
- #16006 with 9-7/8" Spout, #16026 Brushed Finish
- #16016 with 13" Spout





## Folding Faucets



Folding mixer with low swivel spout.  
1/4 turn ceramic valve.

**Water Connection:** 3/8" BSP-M threaded shafts, 1/2" NPS-M adapters included

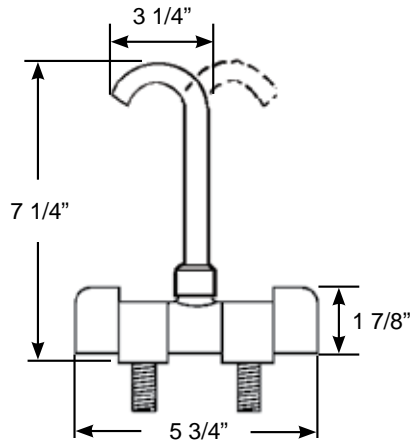
**Material:** Chrome plated or white powder coated brass

**Mounting Hole:** 2 each 5/8", 2-3/16" center to center.

**Shipping Weight:** 3 lbs.

#10476 Chrome (shown)

#10477 White powder coat



Folding mixer with high reach spout. 1/4 turn ceramic valve.

**Water Connection:** 3/8" BSP-M threaded shafts, 1/2" NPS-M adapters included

**Material:** Solid brass with finish

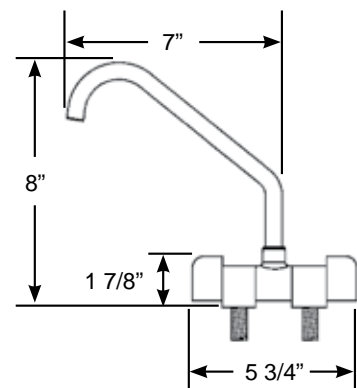
**Mounting Hole:** 2 each 5/8", 2-3/16" center to center

**Shipping Weight:** 3 lbs.

#10474 Chrome.

#10475 White powder coat

#10665 Brushed PVD (shown)



Folding mixer with double bend spout.  
1/4 turn ceramic valve.

**Water Connection:** 3/8" BSP-M threaded shafts, 1/2" NPS-M adapters included

**Material:** Solid brass with finish

**Mounting Hole:** 2 each 5/8", 2-3/16" center to center

**Shipping Weight:** 3 lbs.

#10622 Chrome

#10669 Brushed PVD (shown)



## Folding Faucets



Mini compact folding mixer with double bend spout. Ceramic valve.

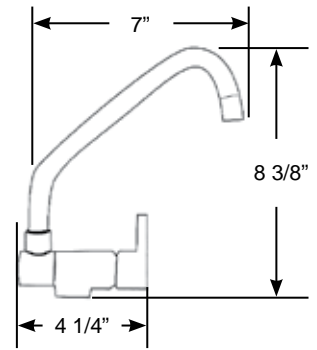
*Features inward opening valve handle to prevent accidental opening in rough conditions while underway.*

**Water Connection:** Flexible supply lines with 1/2" NPS-F fittings

**Material:** Chrome plated brass

**Shipping Weight:** 3 lbs.

**#14400**



Single lever folding mixers. Ceramic valve.

*Features inward opening valve handle to prevent accidental opening in rough conditions while underway.*

**Water Connection:** Flexible supply lines with 1/2" NPS-F fittings

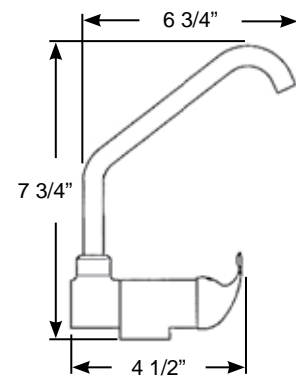
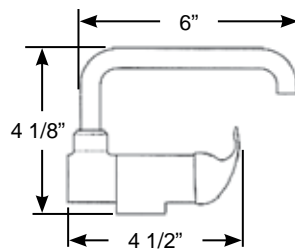
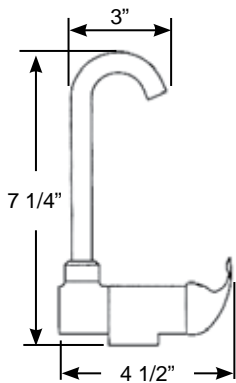
**Material:** Chrome plated brass

**Shipping Weight:** 3 lbs.

**#10810** High Reach Spout

**#10811** Low Spout

**#10812** Double Bend Spout





## Folding Cold Water Taps



**NEW** J-Spout Stainless Steel Folding, Swivel Spout, COLD WATER TAP. 1/4 turn ceramic valve.

Made of durable, low maintenance Passivated 304 Stainless Steel. This light weight cold water tap is perfect for installation on fly bridge, bar or aft cockpit locations.

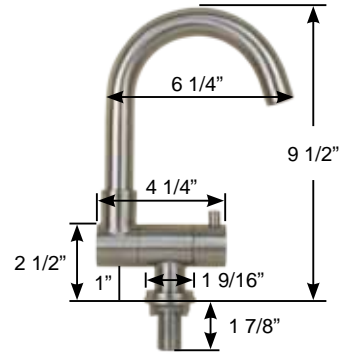
**Water Connection:** 1/2" NPS-M

**Material:** Passivated 304 Stainless Steel, Brushed Finish

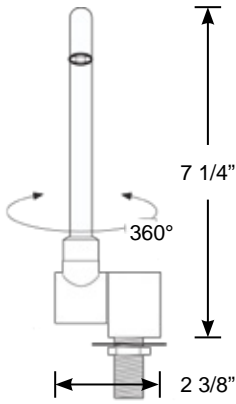
**Mounting Hole:** 7/8"

**Shipping Weight:** 5 lbs.

**#74125**



## Folding Cold Water Taps



**NEW** fold-down spout for foot pump. This faucet has no on/off valve.

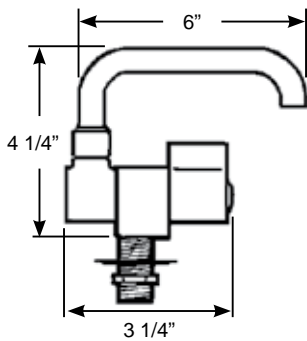
**Water Connection:** 3/8" BSP-M threaded shaft, 1/2" NPS-M adapter included

**Material:** Chrome plated brass

**Mounting Hole:** 5/8"

**Shipping Weight:** 2 lbs.

**#14090**



Folding **COLD WATER** tap with low swivel and folding spout. 1/4 turn ceramic valve.

**Water Connection:** 3/8" BSP-M threaded shaft  
1/2" NPS-M adapters included

**Material:** Chrome plated, white powder coated brass or brushed PVD

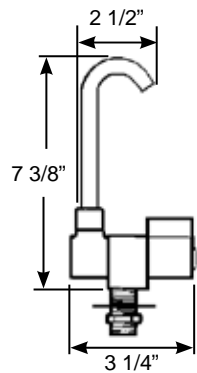
**Mounting Hole:** 5/8"

**Shipping Weight:** 3 lbs.

**#10183** Chrome

**#10184** White powder coat

**#10664** Brushed PVD



Folding **COLD WATER** tap with high reach swivel and folding spout. 1/4 turn ceramic valve.

**Water Connection:** 3/8" BSP-M threaded shaft, 1/2" NPS-M adapters included

**Material:** Solid brass with finish

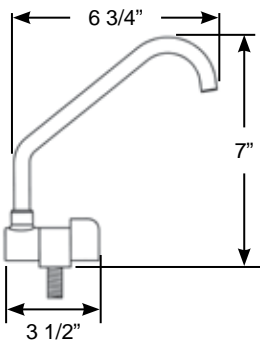
**Mounting Hole:** 5/8"

**Shipping Weight:** 3 lbs.

**#10180** Chrome (shown)

**#10182** White powder coat

**#10663** Brushed PVD



Folding **COLD WATER** tap with double bend swivel and folding spout. 1/4 turn ceramic valve.

**Water Connection:** 3/8" BSP-M threaded shaft, 1/2" NPS-M adapters included

**Material:** Chrome plated or white powder coated brass

**Mounting Hole:** 5/8"

**Shipping Weight:** 3 lbs.

**#10620** Chrome (shown)

**#10621** White powder coat



## Head Accessories



**Bulkhead mount soap pump.**  
Frosted glass container.

**Material:** Chrome plated brass with  
frosted glass container

**Shipping Weight:** 2 lbs.

**#70400** CLIPPER Collection



70403



70359

**Bulkhead mount dish.** Insert  
prevents vibrations.

**Material:** Chrome plated brass with  
glass dish

**Shipping Weight:** 2 lbs.

**#70403** CLIPPER Collection

**#70359** GEOMETRIC Collection



70402



70360

**Toilet paper dispenser** with hinged  
cover to shield paper from shower  
spray.

**Material:** Chrome plated brass

**Shipping Weight:** 2 lbs.

**#70402** CLIPPER Collection

**#70360** GEOMETRIC Collection



**Retractable 10' clothes line** with  
stainless steel housing.

**Material:** Stainless steel

**Shipping Weight:** 1 lb.

**#70353**

## Head Accessories

Towel holders.

**Material:** Chrome plated brass

**Shipping Weight:** 2 lbs.

**#70357** 7" diameter ring GEOMETRIC Collection

**#70401** 8" diameter ring CLIPPER Collection



70357



70401

Towel bars.

**Material:** Chrome plated brass

**Shipping Weight:** 3 lbs.

**#70407** CLIPPER Collection - 13/16" round, 24" Long

**#70361** GEOMETRIC Collection - 1/2" round, 18" Long



70407



70361

Robe hooks.

**Material:** Chrome plated brass

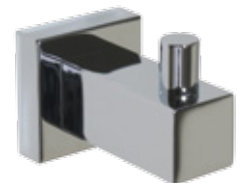
**Shipping Weight:** 1 lb.

**#70405** Double CLIPPER Collection

**#70358** Single GEOMETRIC Collection



70405



70358

Bulkhead mount 8" chrome cosmetic mirror. Double jointed arm extends a total of 16" from mounting surface.

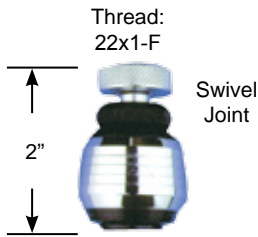
**Material:** Chrome plated brass

**Shipping Weight:** 2 lbs.

**#70355**



## Parts and Accessories



**Adjustable swivel spray aerator.** Slide aerator up or down to switch from faucet flow to shower spray.

**Material:** Plastic and chrome plated brass  
**Thread Type:** 22x1 female  
**Shipping Weight:** 1 lb.

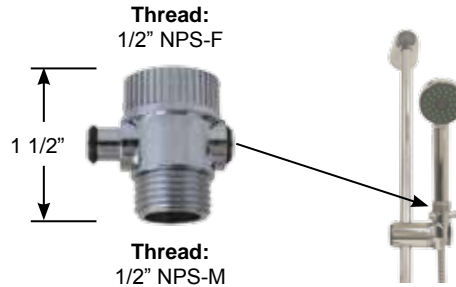
#19089



Convert your aerator to a swivel aerator with this **swivel adapter**. Fits between existing sprayer and aerator.

**Material:** Chrome plated brass  
**Thread Type:** 22x1 female to 22x1 male  
**Shipping Weight:** 1 lb.

#14048



**Water conservation valve.** Included with our shower kits on page 15. Fits between our **Straight** shower handles and hose.

**Material:** Chrome plated plastic and brass  
**Thread Type:** 1/2" NPS  
**Shipping Weight:** 1 lb.

#10895



**#10251 Large Washer 1/2" 2.0mm THIN.** (outside diameter is 3/4") Use between 1/2" flexible supply line and water supply.



**#10269 Medium Washer 3/8"** (outside diameter is 5/8"). Use between hose and 3/8" mixer connection.



**#10254 Large Washer 1/2" 2.8mm THICK.** (outside diameter is 3/4") Use between straight sprayer handles and hose.



**#10268 Small Washer 3/8"** (outside diameter is 9/16"). Use between elbow sprayer handles and hose.



# Parts and Accessories

## STRAIGHT Sprayer Handles

*Straight Standard* GRP trigger sprayer handles.

**Thread Type:** 1/2" NPS-M

**#10279** White

**#10295** Black



*Straight Euro* ABS plastic trigger sprayer handles.

**Thread Type:** 1/2" NPS-M

**#14003** Black

**#14004** White

**#14005** Chrome



*Straight Push-Button* brass and ABS sprayer handles.

**Thread Type:** 1/2" NPS-M

**#10283** White

**#10297** Black



*Executive* ABS plastic shower handles.

**Thread Type:** 1/2" NPS-M

**#14341** Chrome

**#14342** White



*Aqua Fina* ABS plastic shower handles.

**Thread Type:** 1/2" NPS-M

**#14340** Chrome

**#14339** White



Pull-out ABS plastic handle for Galley Mixers 10871, 10880, 70201 and 70251.

**Thread Type:** 1/2" NPS-M

**#14023** Chrome



ABS plastic shower. Anti-Scaling feature.

**Thread Type:** 1/2" NPS-M

**#15950** Scotch Bright

**NEW**



ABS plastic shower handle for 10881.

**Thread Type:** 1/2" NPS-M

**#14024** Chrome



ABS plastic shower handle for 70101 and 70102.

**Thread Type:** 1/2" NPS-M

**#71003** Chrome



## ELBOW Sprayer Handles

**NEW**



*Elbow* ABS combo sprayer handle for 14410 mixer.

**Thread Type:** 15/1 metric female

**#14006** Chrome

*Elbow* ABS combo sprayer handle for 16216 mixer.

**Thread Type:** 15/1 metric female

**#15951** Chrome



*Elbow Standard* GRP trigger sprayer handles.

**Thread Type:** 15/1 metric female

**#10278** White

**#10294** Black



*Elbow Euro* ABS trigger sprayer handles.

**Thread Type:** 15/1 metric female

**#14000** White

**#14001** Black

**#14002** Chrome



*Elbow* combo spray handles with 2-way adjustable spray pattern from faucet flow or shower spray.

**Thread Type:** 15/1 metric female.

**#10293** Black

**#10277** White



*Elbow* combo spray handles with on/off valve and 2-way adjustable spray pattern from faucet flow or shower spray.

**Thread Type:** 15/1 metric female

**#10296** Black

**#10777** White



Hoses for STRAIGHT Sprayer Handles

5' Hoses

- #14229 5' Chrome Flex
- #14360 5' Chrome Spiral

6' Hoses

- #10288 6' Chrome Flex
- #10290 6' White
- #10292 6' Black
- #14361 6' Chrome Spiral

10' Hoses

- #10321 10' White
- #10323 10' Black
- #14362 10' Chrome Spiral

13' Hoses

- #10325 13' White
- #10327 13' Black
- #14363 13' Chrome Spiral

20' Hoses

- #14217 20' White
- #10328 20' Black



3/8" BSP-F

1/2" NPS-F



Chrome-Flex  
(chrome plated brass spiral)



Chrome-Spiral  
(chrome spiral with clear nylon outer layer)



White Nylon



Black Nylon

5' Hose

- #14365 5' Chrome Spiral
- #71056 5' Stainless Steel

6' Hose

- #71001 6' Stainless Steel
- #10430 6' White
- #14364 6' Chrome Spiral

10' Hose

- #10431 10' White

1/2" NPS-F

1/2" NPS-F



Stainless Steel



White Nylon

5' Hose

- #71029 5' Stainless Steel

3/8" NPS-M

1/2" NPS-F



Stainless Steel

Hoses for ELBOW Sprayer Handles

5' Hoses

- #10271 5' Chrome Flex
- #10273 5' White
- #10274 5' Black
- #14350 5' Chrome Spiral
- #15995 5' Grey for 16216 Combo

6' Hoses

- #10286 6' Chrome Flex
- #10289 6' White
- #10291 6' Black
- #14351 6' Chrome Spiral

10' Hoses

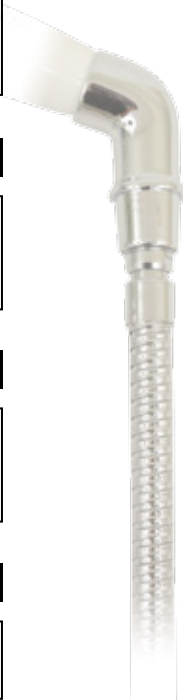
- #10320 10' White
- #10322 10' Black
- #14352 10' Chrome Spiral

13' Hoses

- #10324 13' White
- #10326 13' Black
- #14353 13' Chrome Spiral

20' Hoses

- #10334 20' Black
- #10339 20' White



3/8" BSP-F

15/1 METRIC - M



Chrome-Flex  
(chrome plated  
brass spiral)



Chrome-Spiral  
(chrome spiral with clear  
nylon outer layer)



White Nylon



Black Nylon

5' Hoses

- #14301 5' Chrome Flex

6' Hoses

- #14302 6' Chrome Flex
- #14268 6' White
- #14269 6' Black

1/2" NPS-F

15/1 Metric - M



Chrome-Flex  
(chrome plated  
brass spiral)



White Nylon



Black Nylon

## Adapters



Adapters convert 3/8" BSP-M to 1/2" NPT-M fitting. Washers included.

**Material:** Brass or Delrin  
**Thread Type:** 3/8" BSP-F and 1/2" NPT-M

Delrin adapter to convert 3/8" BSP-F to 1/2" NPT-M fitting.

**Material:** Delrin  
**Thread Type:** 3/8" BSP-M and 1/2" NPT-M



**#10002** Brass  
**#10015** Delrin

**#10961** Delrin



## Hose Barb Fittings



Adapters to convert threaded fittings to hose barb fittings.

**Material:** Brass with plastic wing nut.

**#10955** 1/2" NPS-F to 3/8" hose barb  
**#10026** 1/2" NPS-F to 1/2" hose barb  
**#10027** 1/2" NPS-F to 90° 1/2" hose barb



Nylon adapters to convert threaded fittings to hose barb fittings.

**Material:** Nylon

**#10951** 3/8" BSP-M to 1/2" hose barb  
**#10957** 3/8" BSP-M to 5/8" hose barb  
**#10948** 1/2" NPS-M to 1/2" hose barb  
**#14306** 1/2" NPS-M to 3/4" hose barb



## Speedfit Fittings

If you are going directly to 15 mm pex tubing, this piece will make your life easier when installing a pull-out shower or recessed shower. The 3/8" hose fitting fits this adapter and the other end is a 15 mm male slip joint.



**Material:** Plastic  
**#10959** 3/8" BSP-M to 15 mm male speedfit slip joint



**Material:** Plastic  
**#10956** 1/2" NPS-M to 15 mm female speedfit slip joint



**Material:** Plastic  
**#10960** 1/2" NPS-F to 15 mm female speedfit slip joint with 90° elbow

## Parts and Accessories

Our **new recessed cap and cup design** made with Dupont™ Zytel® Nylon Resin for greater strength and more UV exposure resistance. A new rubber gasket under the cap will keep water out when cap is closed. Available with single white composite or stainless steel cap. **This new design will fit in the same 2-3/4" mounting hole and screw pattern as existing design.**

Existing cup design is available for replacements and for use with double stainless steel or plastic caps.  
**Mounting Hole: 2-3/4"**



**#12152** Single white cup



**#12154** Single black cup

**#12104** Single white cap and cup

**#12153** Single Stainless Steel cap for use with new design white or black cup above.



**#12151** Single white cap



**#12143** Double Stainless Steel Cap

**#12103** Single White Cup



**#12102** Double White Cap

**#12105** Double White Cap and Cups



Shower Symbol on Cap

Replacement cup and cap for **HORIZONTALLY MOUNTED** recessed showers on page 9. The caps have a **SHOWER SYMBOL** on top.

**#10252** White cap

**#10253** White cup for pull-out shower handle

**#10335** White cup for **#10498** mixing valve and **#10835** cold water valve on page 9

**#10014** White cap (#10252) and cup (#10253)

**#10263** Black cap

**#10264** Black cup

**#10262** Black cap and cup

**Mounting Hole: 2-1/4"**



Scandvik Logo on Cap

Replacement cup and cap for **VERTICALLY MOUNTED** recessed showers on page 8. The cap has a **SCANDVIK LOGO** on top.

**#10030** White cap

**#10031** White cup

**#10029** White cap and cup

**Mounting Hole: 2-1/4"**

Acrylic capped ABS utility boxes. Outside dimensions are given.

**#10495** White, 10-7/8" W x 8-7/8" H x 4" D with door.

**#10493** Off-White color 12, 10-7/8" W x 8-7/8" H x 4" D with door.

**#14017** White, 6-7/8" W x 12" H x 4" D vertical with door.

**#10494** Off-White color #12, 5-7/8" W x 11-3/8" H x 4" D vertical without door.



10495  
10493



14017



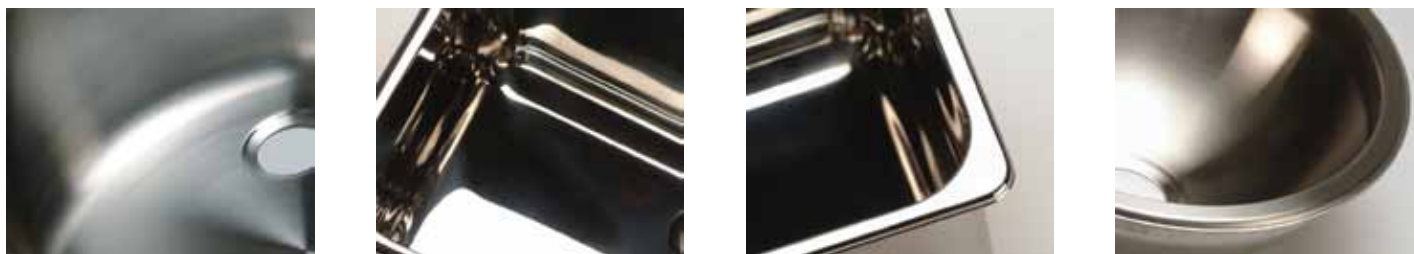
10494

# 18/10 Stainless Steel Sinks

## Stainless Steel is the best choice for marine sinks

It makes sense to have good quality marine grade sinks to withstand the harsh marine environment.

- Stainless steel is resistant to extreme temperatures and can be used with everything from hot pots and pans to ice cubes.
- Stainless steel is more forgiving to glass and dinnerware if accidentally dropped in the sink, it is more durable and will last a lifetime without losing its inherent qualities.
- Scandvik stainless steel sinks match modern kitchens and galleys using stainless steel designs for appliances.
- Stainless steel sinks installed outside subjected to the sun are not affected by UV rays which can discolor other sink materials.
- Stainless steel is sanitary and will not hold bacteria making it a safe place to prepare foods.
- Scandvik stainless steel sinks are made from an alloy of 18% chromium and 10% nickel referred to as 18/10 stainless steel and is considered the best for corrosion resistance and durability.
- Scandvik stainless steel sinks are 18-20 gauge (1mm) thickness which provides a strong, durable but still lightweight sink.
- Offered in a large variety of shapes, sizes and finishes, a Scandvik stainless steel sink will give your boat the ultimate sink for galley, bar and grill, head, bait prep station or utility areas.



### Types of Sinks

**Basins** - are characterized as a sphere cut in half. Drains are typically centrally located at lowest point of the bowl.



**Rectangular** - sinks are characterized by vertical sides with either a centrally located or off-center drain location.



**Cylindrical** - sinks are characterized by having vertical sides with an off-center drain.



**Double** - sinks are characterized by two bowls side by side with either centrally located or off-center drain locations.





## Flange Profiles

### Stainless Steel Sink Flanges:

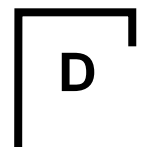
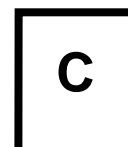
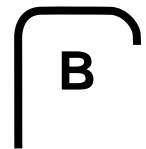
There are four flange styles. The flange style for the sink will be shown with the part number.

### Top mount Flanges A , B and D:

Install drop in top mount sinks with a bedding compound of silicone or caulk. Top mount sinks can be installed under counter mounted, however, we recommend you consult with an experienced carpenter.

### Under the counter mount Flange C:

This flange is specifically designed to be mounted under the counter top.



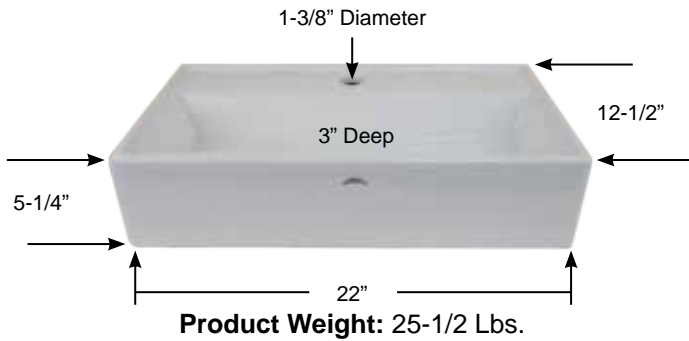
# Ceramic Sinks

Plumbing



**NEW FOR 2017**

**#23010** Ceramic Rectangle Vessel Sink

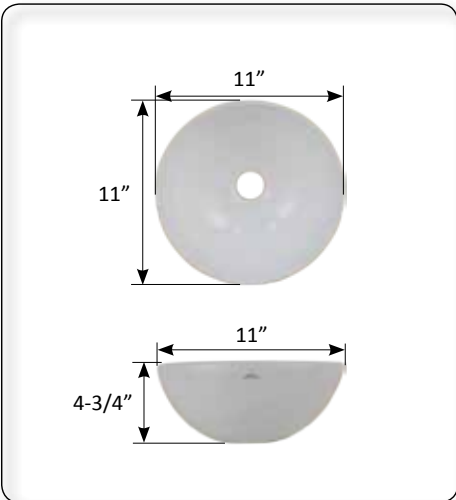


**#19007** Pop-Up Drain with overflow for Rectangle Ceramic Sink  
**Material:** Chrome Plated Brass  
**Outlet Connection:** 1-1/4"  
**Shipping Weight:** 1 lbs.

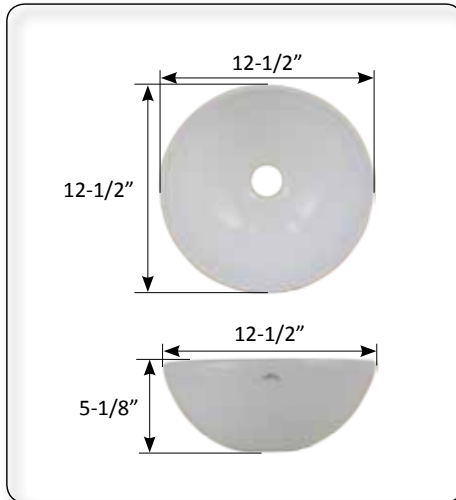


Heavy duty ceramic bowl that will stand up to many years of regular use. Beautiful white glazed finish. Perfectly suited for installation in any area needing a wash basin. Drain opening is 1-7/8". \* Other sizes available upon special request.

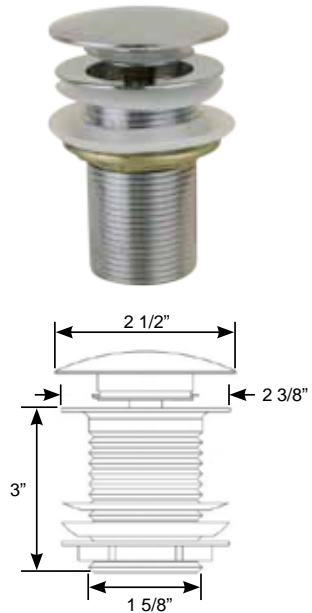
**#23000**



**#23001**



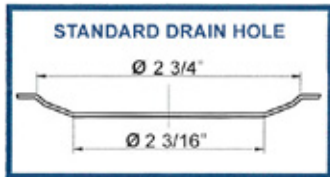
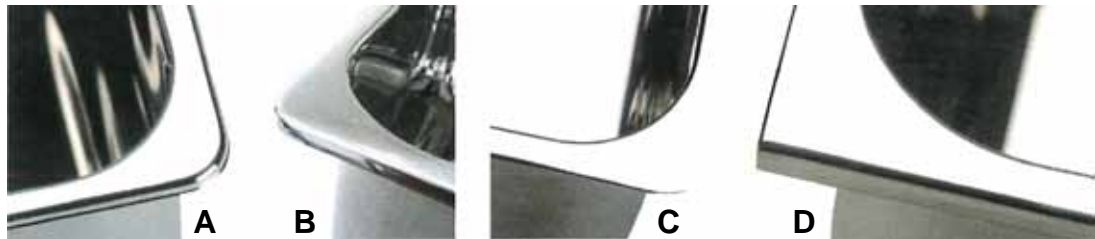
**#19005** Pop-Up Drain for Round Ceramic Sinks  
**Material:** Chrome Plated Brass  
**Outlet Connection:** 1-1/4"  
**Shipping Weight:** 1 lbs.





**Flange Profile**

Inset flange "A"  
 Inset flange "B"  
 Under surface flange "C"  
 Inset flange "D"



**HEMISPHERICAL AND OVAL STAINLESS STEEL BASINS**  
 DIAMETER 11" 13" 15" - Mirror or Brushed Finish

#10201	Mirror Finish	2-3/16" Drain Hole	D 5"
#10202	Brushed Finish	2-3/16" Drain Hole	D 5"
#10203	Mirror Finish	2-3/16" Drain Hole	D 6"
#10204	Mirror Finish	2-3/16" Drain Hole	D 6"

**Mirror or Brushed Finish**

#10923	Mirror Finish	2-3/16" Drain Hole	D 4"
#10924	Brushed Finish	2-3/16" Drain Hole	D 4"

**Polished or Brushed Finish**

#10280	Polished Finish	1-11/16" Drain Hole	D 5"
#10281	Brushed Finish	1-11/16" Drain Hole	D 5"

**Mirror Finish**

#10211	Mirror Finish	2-3/16" Drain Hole	D 5"
--------	---------------	--------------------	------

**Mirror Finish**

#10757	Mirror Finish	2-3/16" Drain Hole	D 6"
--------	---------------	--------------------	------

**Mirror Finish**

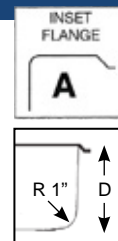
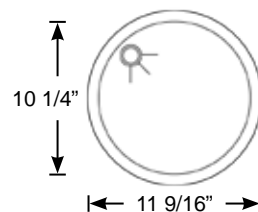
#10206	Mirror Finish	2-1/16" Drain Hole	D 6"
--------	---------------	--------------------	------

**Mirror Finish**

#10207	Mirror Finish	2-3/16" Drain Hole	D 6"
--------	---------------	--------------------	------

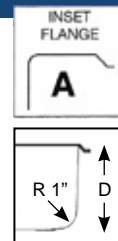
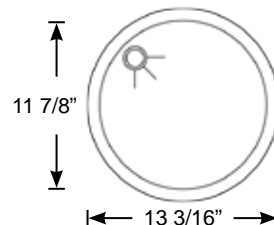
## CYLINDRICAL STAINLESS STEEL SINK

### DIAMETER 12" - Mirror or Brushed Finish



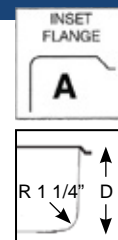
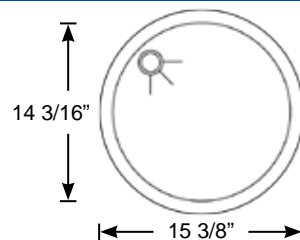
#10241	Mirror Finish	2-3/16" Drain Hole	D 7"
#10242	Brushed Finish	2-3/16" Drain Hole	D 5"

### DIAMETER 14" - Mirror or Brushed Finish



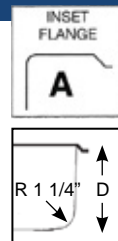
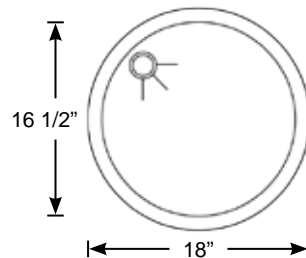
#10243	Mirror Finish	2-3/16" Drain Hole	D 7"
#10244	Brushed Finish	2-3/16" Drain Hole	D 5"
#10247	Brushed Finish	2-3/16" Drain Hole	D 7"
#10996	Mirror Finish	2-3/16" Drain Hole	D 5"

### DIAMETER 15" - Mirror Finish



#10266	Mirror Finish	2-3/16" Drain Hole	D 7"
--------	---------------	--------------------	------

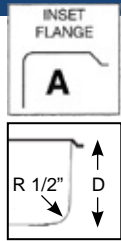
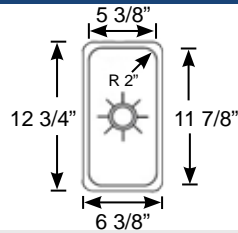
### DIAMETER 18" - Mirror or Brushed Finish



#10258	Mirror Finish	2-3/16" Drain Hole	D 7"
#14289	Brushed Finish	2-3/16" Drain Hole	D 7"

**SINGLE STAINLESS STEEL SINK**

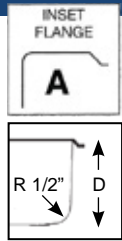
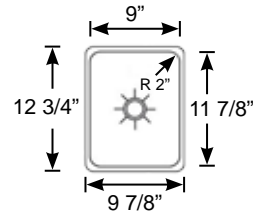
**Mirror Finish**



#10212 Mirror Finish 2-1/16" Drain Hole D 6"

#10213 Mirror Finish 2-1/16" Drain Hole D 7"

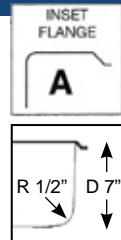
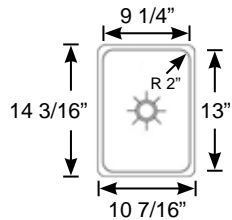
**Mirror Finish**



#10214 Mirror Finish 2-1/16" Drain Hole D 6"

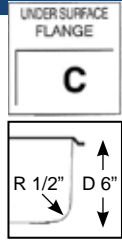
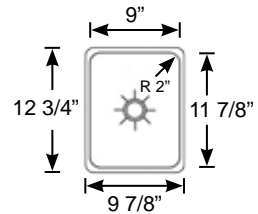
#10215 Mirror Finish 2-1/16" Drain Hole D 8"

**Mirror Finish**



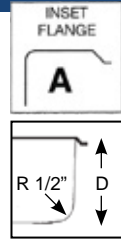
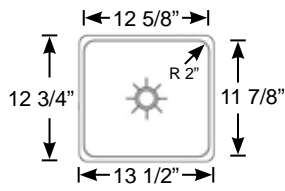
#10218 Mirror Finish 2-1/16" Drain Hole

**Mirror Finish**



#10209 Mirror Finish 2-1/16" Drain Hole

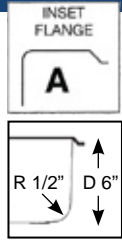
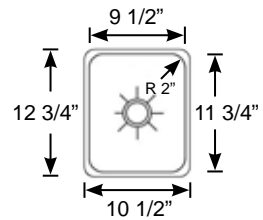
**Mirror Finish**



#10216 Mirror Finish 2-1/16" Drain Hole D 6"

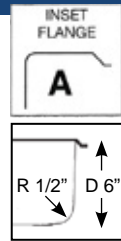
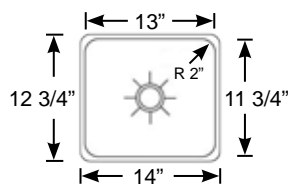
#10217 Mirror Finish 2-1/16" Drain Hole D 8"

**Satin Finish**



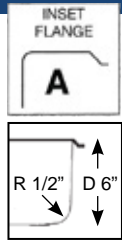
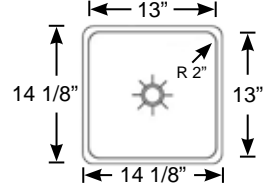
#10993 Satin Finish 2-1/16" Drain Hole

**Satin Finish**



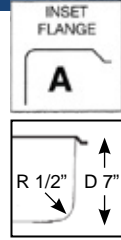
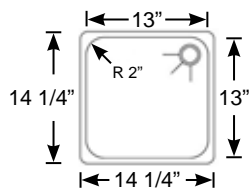
#10654 Satin Finish 2-1/16" Drain Hole

**Mirror Finish**



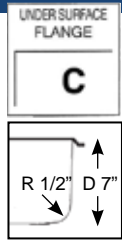
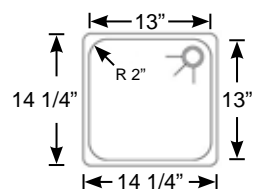
#10220 Mirror Finish 2-1/16" Drain Hole

**Mirror Finish**




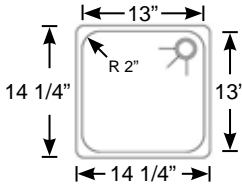
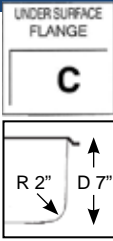
#10219 Mirror Finish 2-1/16" Drain Hole

**Mirror Finish**




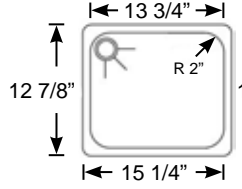
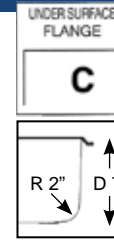
#10205 Mirror Finish 2-1/16" Drain Hole

**Brushed Finish**


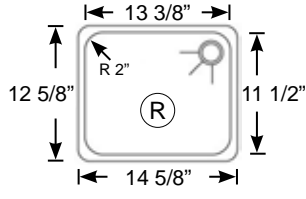
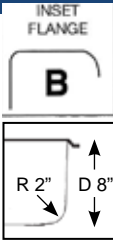
#10245 Brushed Finish 2-1/16" Drain Hole

**Brushed Finish**

#10210 Brushed Finish 2-1/16" Drain Hole


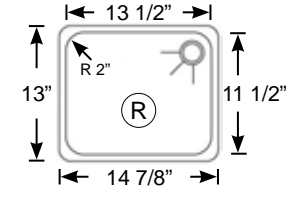
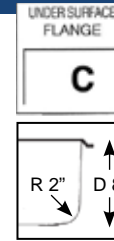
**Mirror Finish**

#10222 Mirror Finish Drain Left 2-1/16" Drain Hole

#10224 Mirror Finish Drain Right (shown) 2-1/16" Drain Hole


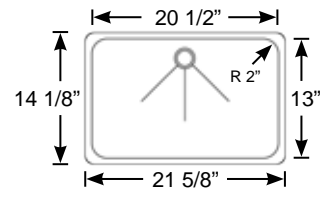
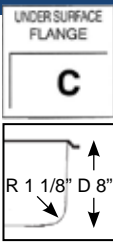
**Mirror Finish**

#10223 Mirror Finish Drain Left 2-1/16" Drain Hole


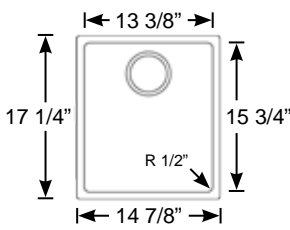
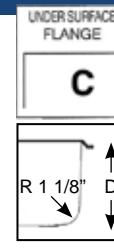
#10225 Mirror Finish Drain Right (shown) 2-1/16" Drain Hole

**Brushed Finish**


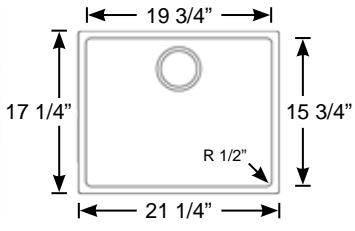
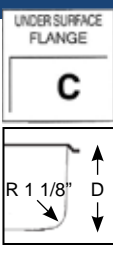
#10651 Brushed Finish 2-1/16" Drain Hole

**Brilliant Satin Finish**  
waste drain not included


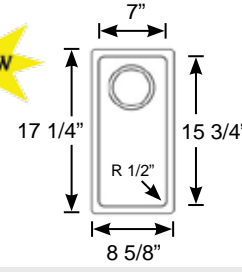
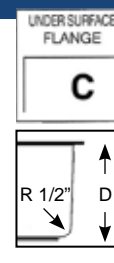
#10676 Brilliant Satin Finish 3-1/2" Drain Hole D 7-3/4"

**Brilliant Satin Finish**  
waste drain not included


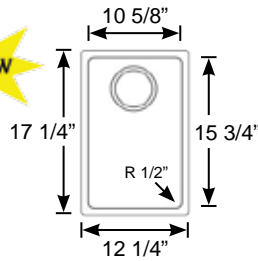
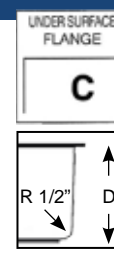
#10677 Brilliant Satin Finish 3-1/2" Drain Hole D 7-3/4"

**Brilliant Satin Finish**  
waste drain not included

#10674 Brilliant Satin Finish 3-1/2" Drain Hole D 5-1/2"

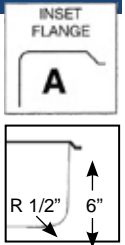
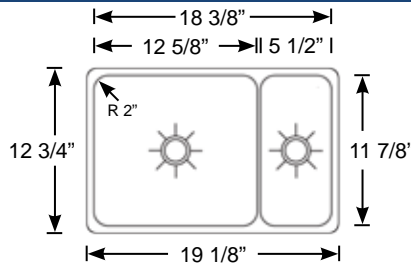
**Brilliant Satin Finish**  
waste drain not included

#10675 Brilliant Satin Finish 3-1/2" Drain Hole D 7-7/8"

**DOUBLE STAINLESS STEEL SINK**

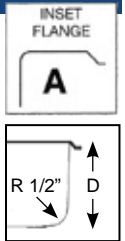
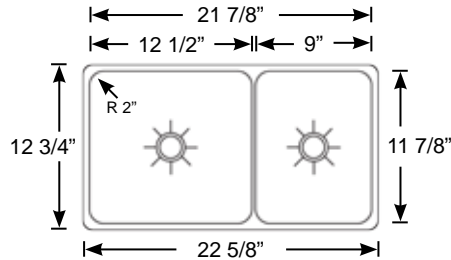
**Mirror Finish**



#10226 Mirror Finish

2-3/16" Drain Hole

**Mirror Finish**



#10227 Mirror Finish

2-3/16" Drain Hole

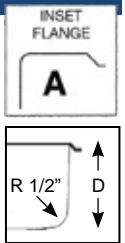
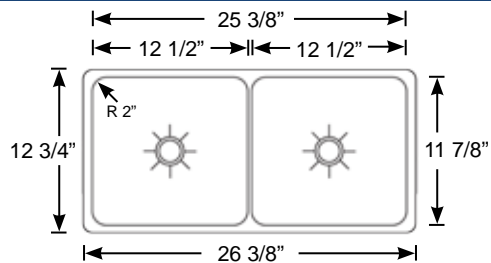
D 6"

#10228 Mirror Finish

2-3/16" Drain Hole

D 8"

**Mirror Finish**



#10229 Mirror Finish

2-3/16" Drain Hole

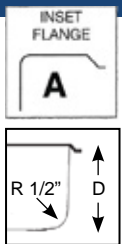
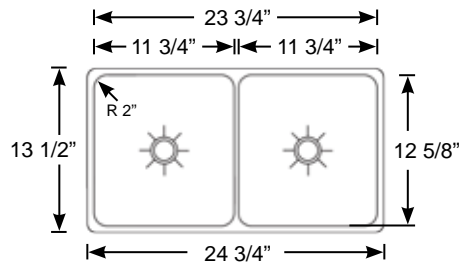
D 6"

#10230 Mirror Finish

2-3/16" Drain Hole

D 8"

**Mirror Finish**



#10231 Mirror Finish

2-3/16" Drain Hole

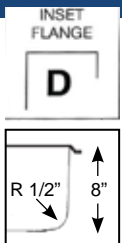
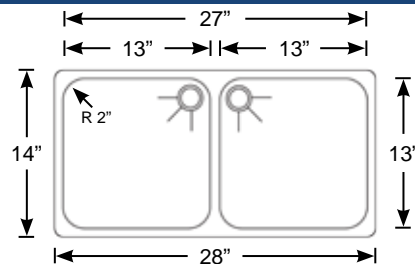
D 6"

#10232 Mirror Finish

2-3/16" Drain Hole

D 8"

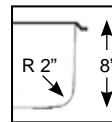
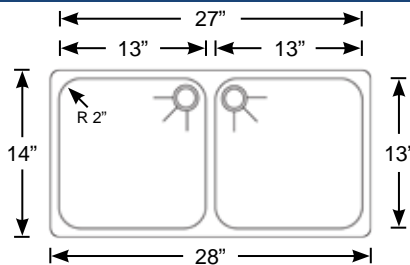
**Mirror Finish**



#10238 Mirror Finish

2-3/16" Drain Hole

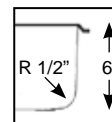
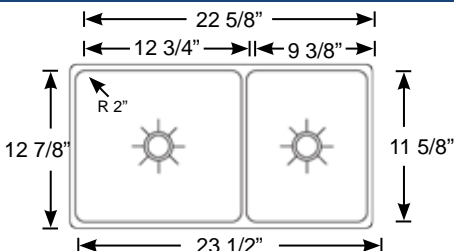
Mirror Finish



#10237 Mirror Finish

2-3/16" Drain Hole

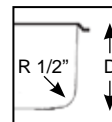
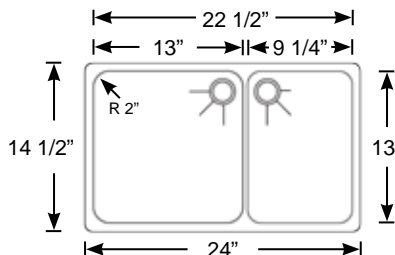
Satin Finish



#10658 Satin Finish

2-3/16" Drain Hole

Mirror and Satin Finish



#10233 Mirror Finish

2-3/16" Drain Hole

D 6"

#10234 Mirror Finish

2-3/16" Drain Hole

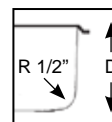
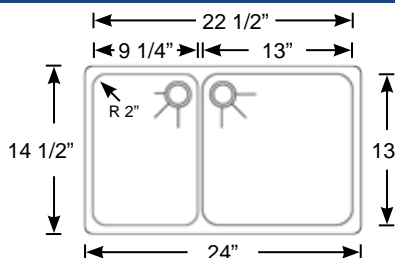
D 8"

#10649 Satin Finish

2-3/16" Drain Hole

D 8"

Mirror and Satin Finish



#10632 Satin Finish

2-3/16" Drain Hole

D 8"

#10235 Mirror Finish

2-3/16" Drain Hole

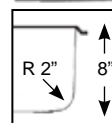
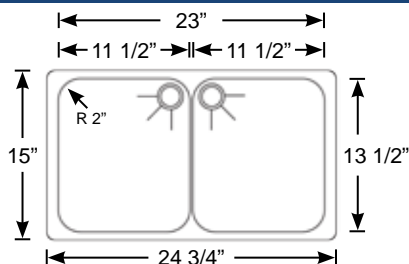
D 6"

#10236 Mirror Finish

2-3/16" Drain Hole

D 8"

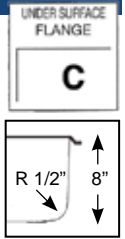
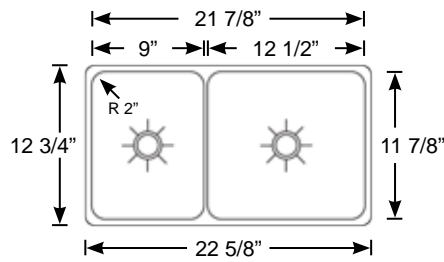
Mirror Finish



#10239 Mirror Finish

2-3/16" Drain Hole

**Mirror Finish**

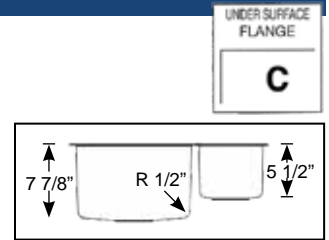
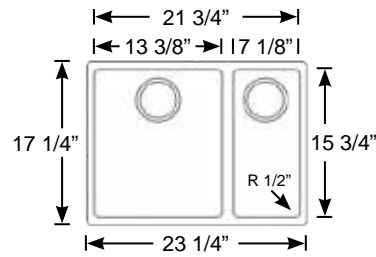


**#10240** Mirror Finish

2-3/16" Drain Hole

**Brilliant Satin Finish**

waste drain not included



**#10680** Brilliant Satin Finish

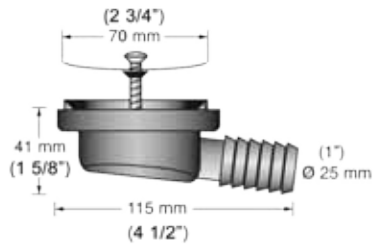
3-1/2" Drain Hole



**PLASTIC DRAINS** Fits all 2-1/16" to 2-3/16" Drain Holes

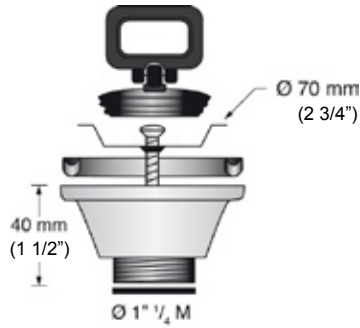
**Elbow drain for shower stalls**

Flat drain without stopper



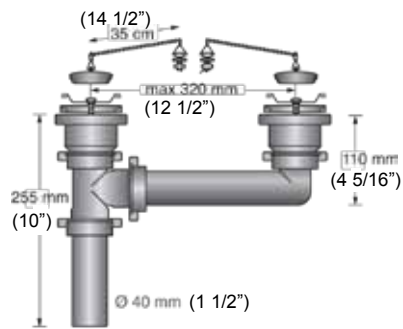
**#10307**

**Drain, stopper with handle**



**#10300**

**Double drain, with stoppers**



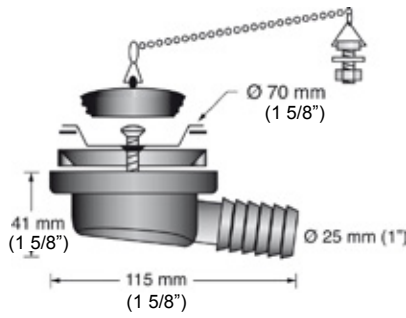
**#10310**

**Shower drain or scupper**



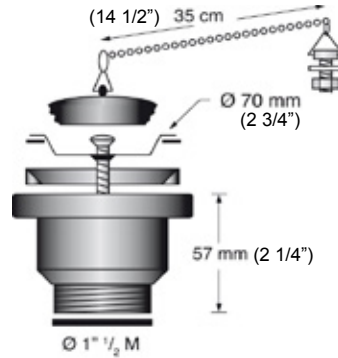
**#10338**

**Elbow drain**



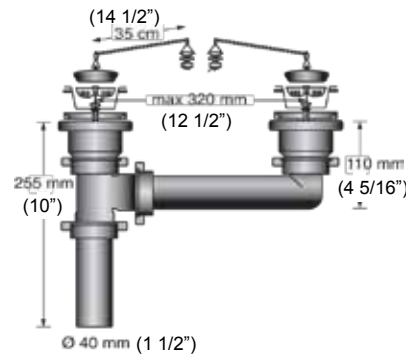
**#10306**

**Drain, with stopper**



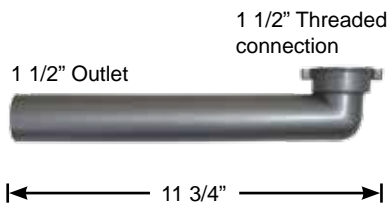
**#10312**

**Double drain, with baskets**



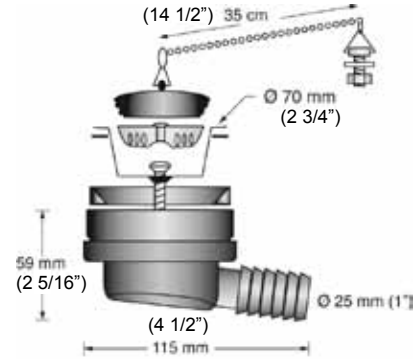
**#10311**

**Elbow Pipe for 1-1/2" Connections**



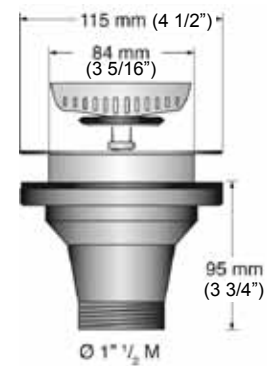
**#10315**

**Elbow drain with removable basket**



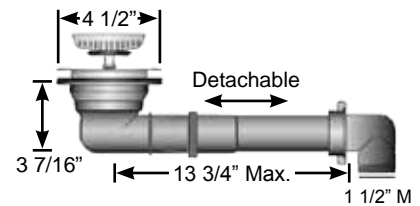
**#10308**

**3-1/2" Waste Disposal drain**



**#10333**

**3-1/2" Waste Disposal drain**



**#10340**



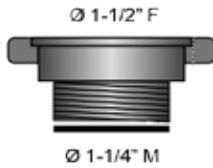
**Accessories and spare parts**

**Straight tube**



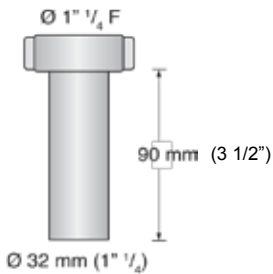
**#10316**

**Adaptor**



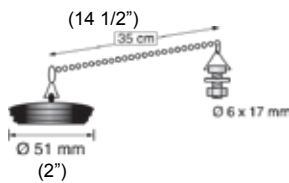
**#10318**

**Straight tube**



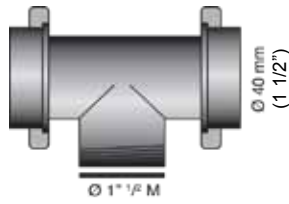
**#10303**

**Stopper with chain**



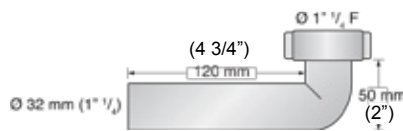
**#10309**

**"T" connection**



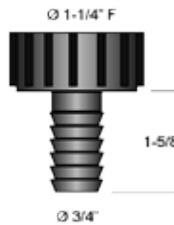
**#10317**

**Elbow tube**



**#10301**

**Straight hose barb**



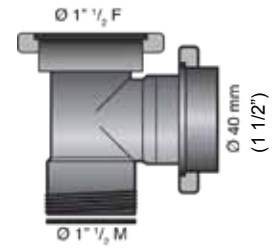
**#10304**

**Stopper with handle**



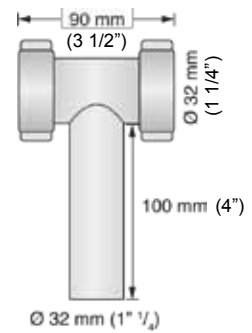
**#10331**

**"T" connection**



**#14076**

**"T" connection**



**#10302**

**Straight hose barb**



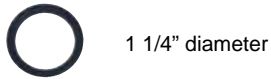
**#10305**

**Strainer basket**



**#10314**

**Drain gasket**



1 1/4" diameter

**#14072**



1 1/2" diameter

**#14073**

**SS drain with basket stopper**

fits 1 7/8" & 2 1/16" drain hole



1 1/2" Outlet

**#19003**

**Drain with flip stopper**



Chrome plated brass  
Fits 1-7/8" & 2 1/16" drain hole  
1-1/2" threaded outlet

**#19004**

**Drain with flip stopper**

← 2 7/16" →



Chrome plated brass  
Fits 1-5/8" drain hole  
1-1/4" threaded outlet

**#19006**

**Drain for ceramic sinks**



Pop-up stopper  
Fits 1-5/8" drain hole  
1-1/4" threaded outlet

**#19005**

**Drain for ceramic sinks**



Pop-up stopper with overflow  
Fits 1-5/8" drain hole  
1-1/4" threaded outlet

**#19007**



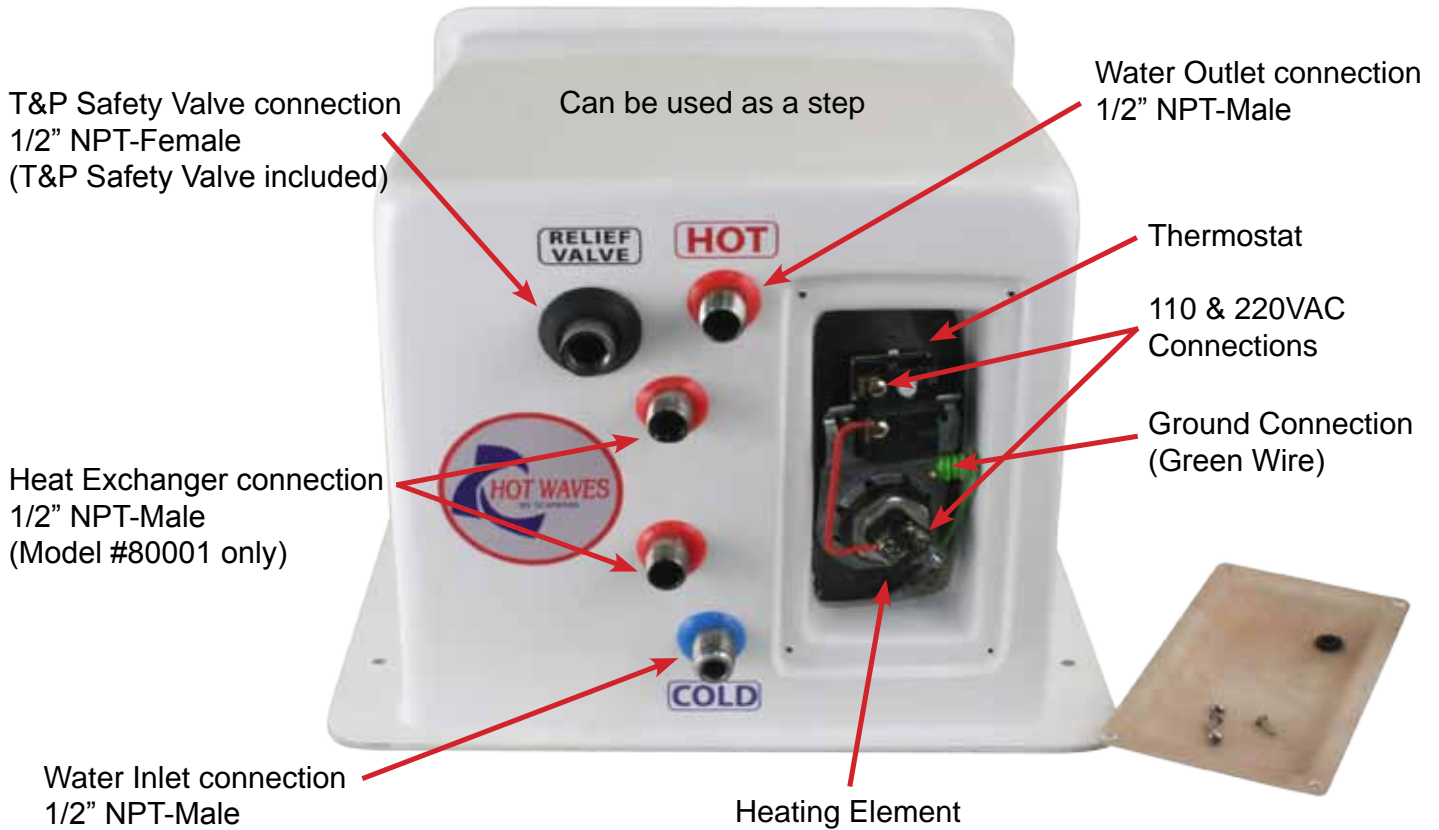
# Marine Water Heater



#80000 W/O Heat Exchanger, 110V  
 #80001 With Heat Exchanger, 110V

<b>Application</b>	Marine
<b>Capacity</b>	6 gallons
<b>Internal tank material carbon steel hot roll ASTM-A36</b>	Caps and cylinder thickness 2.4mm
<b>Internally Coated</b>	This protection provides a bond with the metal substrates and excellent corrosion protection. Powder coating Dupont, Alesta ELW505S9, in accordance with FDA standards
<b>External cover fiberglass / gelcoat color white</b>	Resistant to corrosion and marine environment / can be used as step
<b>Polyurethane foam insulation</b>	To reduce heat loss
<b>Inner surface preparation Sand-blasting with metal Particles Type SSPC-10</b>	Clean the inner surface of carbon, oil and corrosion and prepares for implementation of epoxy
<b>Sacrificial magnesium anode</b>	Provides corrosion protection that extends the life of the tank
<b>Inlet / outlet water connections</b>	1/2" NPT-male
<b>Pressure / temperature safety valve coupling</b>	1/2" NPT-female
<b>Pressure / temperature safety valve</b>	210° F and/or 150 psi. Located on the front of the tank the T&P valve is included
<b>Maximum Operating Pressure</b>	125 psi
<b>Recovery time (ΔT: 45°F)</b>	25 minutes to raise water temperature 45° F
<b>Threaded heating element</b>	110 VAC, 1500 W (available in various wattages and volt-ages)
<b>Ignition protected fixed limit thermostat</b>	Temperature adjustment (Low, Medium, High)
<b>Standard engine heat exchanger formed stainless steel</b>	Continuous 316 SS tubing, no internal joints
<b>UL &amp; CSA Approvals</b>	T&P Valve, Thermostat and Heating Element
<b>Warranty</b>	2-year full warranty, 5-year warranty on tank

# HOT WAVES WATER HEATER

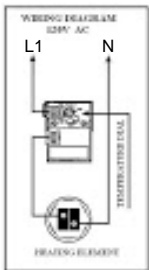


Dimensions: 15-5/8" Wide x 12-3/4" High x 15-5/8" Deep  
 (19-7/8" Deep with T&P Safety Valve installed)  
 Empty Weight: 28 lbs.

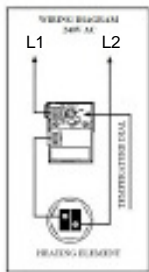
12 Amps at 110 VAC, requires a 20A breaker

**Warning:** Fill tank with water before turning on water heater to avoid damage to the heating element.

Recommended Service: Inspect/Replace Anode every 3 - 4 years.



110 VAC Wiring



220 VAC Wiring

### Replacement Parts

- #80010:** Heating Element (110 VAC, 1500 W)
- #80011:** Thermostat
- #80012:** Anode (Magnesium) access on back side of tank
- #80013:** Heating Element (220V, 1500W)

MADE IN COSTA RICA



# ABFA



- NO WELDS
- VIBRATIONS PROOF
- ROLLED BAND EDGES
- NON PERFORATED BAND
- 30% STRONGER HOUSING
- 100% AISI 316 SS ACID RESISTANT
- OUTPERFORMS AND OUTLASTS THE COMPETITION!



ABA 316 stainless steel clamps are the perfect choice for applications where premium corrosion resistance is required. All parts are made of 316 stainless steel.



### All Pressed Worm Gear Housing

The all pressed worm housing increases the strength of the hose clamp by 30%. Since the radius of each housing is carefully adapted to the relevant hose diameter and due to the smooth transition between housing and band, extremely good compatibility with the shape of the hose is achieved.



### Intact Grain Structure

The intact grain structure increases the strength reserve of the clamp and enables you to use an ABA clamp up to ten times. This picture, magnified 10 times, clearly shows how the material in the band is compressed at each ridge of thread without the fibers of the steel being sheared off.



### Rolled-Up Band Edges

The rolled-up band edges of the ABA hose clamp prevents it from cutting into the hose and forming such a smooth transition between the edge of the band and the hose that crack formation and fractural impressions are avoided. Consequently even inexpensive hoses last longer. The threads are specially stamped and leave the inside of the clamp completely smooth. The smooth inside of the band eliminates friction between the hose and the band, thus the clamp will seal 360° around.



### Thread Engagement

Thread engagement gives strength and reliability. The square threads of the screw are rolled and those on the band stamped by a special process. The 6° thread pitch angle not only gives you a completely vibration-proof clamp but also a clamp which grips the hose more firmly all the way around without calling for more force on the screwdriver.



### Parts Inspection

During the manufacturing process, the ABA hose clamp passes through nine series of inspections covering material, tolerances and properties. To give one example, the clamp is test-loaded to predetermined tightening torque. The off-load torque, which should not exceed 1 Nm, is checked on every 50th clamp.

## ABA Mini (W4) 304 SS

A nut-and-bolt hose clamp with rolled edges that is ideally suited for small, thin-walled hydraulic and fuel hose.

### Strong and Durable Materials

The lug for the screw and nut must be stable enough to resist deformation whenever the nut is tightened. This is why they are made of cold rolled strip stainless steel to Swedish Standard SS 1265.

7mm Hex-head screw

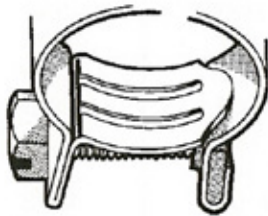


9mm Band Width



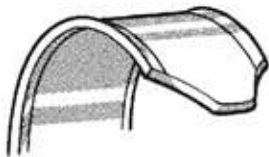
### The Nut Stays Put

The nut is retained in the lug, even when the screw has been removed. Another practical detail is the hexagonal screw head, which may be tightened using the ABA flexible socket driver.



### Reinforced Band Tongue

The band tongue is designed with a formed section to prevent it from being deformed and causing leakage.



### Small Size But Big Demands

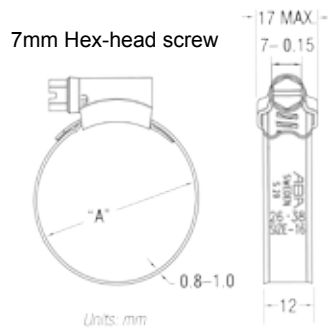
This was the concept when designing the ABA Mini Clamp. As a result, the Mini features several well-known ABA characteristics including the rounded edges that ensure the clamp grips the hose firmly but gently.

Packaging		Size mm	Clamping Range		Band Width
Bag of 50	Box of 10		Inches	mm	mm
22008	13508	8	19/64 - 21/64	7.5 - 8.5	9
22009	13509	9	21/64 - 3/8	8.5 - 9.5	
22010	13510	10	3/8 - 7/16	9.5 - 11	
22011	13511	11	13/32 - 15/32	10.5 - 12	
22012	13512	12	29/64 - 33/64	11.5 - 13	
22013	13513	13	1/2 - 35/64	12.5 - 14	
22014	13514	14	17/32 - 19/32	13.5 - 15	
22015	13515	15	37/64 - 5/8	14.5 - 16	
22016	13516	16	19/32 - 43/64	15 - 17	
22017	13517	17	5/8 - 45/64	16 - 18	



## ABA Original (W5) 316 SS

Clamp with a one-piece housing and embossed worm-drive band with rolled edges. This industry leader out performs and outlasts the competition!



Hose Clamps

Packaging		SAE Size	Clamping Range		Band Width mm	Tightening Torque Inch - Lbs.
Bag of 50	Box of 10		Inches	mm		
13014	13614	3	5/16 - 9/16	8 - 14	9	20 - 35
13017	13617	4	7/16 - 11/16	11 - 17		
13020	13620	6	1/2 - 13/16	13 - 20		
13024	13624	8	5/8 - 1	15 - 24	12	35 - 45
13028	13628	10	3/4 - 1 1/8	19 - 28		
13032	13632	12	7/8 - 1 1/4	22 - 32		
13038	13638	16	1 1/16 - 1 1/2	26 - 38		
13044	13644	20	1 1/4 - 1 3/4	32 - 44		
13050	13650	24	1 1/2 - 2	38 - 50		
66057	13657	28	1 1/4 - 2 1/4	32 - 57		
66064	13664	32	1 1/2 - 2 1/2	38 - 64		
66070	13670	36	1 3/4 - 2 3/4	44 - 70		
66076	13676	40	2 - 3	51 - 76		
66083	13683	44	2 1/4 - 3 1/4	57 - 83	45 - 60	
66089	13689	48	2 1/2 - 3 1/2	64 - 89		
66095	13694	52	2 3/4 - 3 3/4	70 - 95		
66102	13696	56	3 - 4	76 - 102		
66108	13697	60	3 1/4 - 4 1/4	83 - 108		
66114	13698	64	3 1/2 - 4 1/2	89 - 114		
66127	13699	72	3 1/2 - 5	89 - 127		
EACH	Bag of 10					
66140	66140P	80	4 - 5 1/2	102 - 140		
66152	66152P	88	4 1/2 - 6	114 - 152		
66165	66165P	96	5 - 6 1/2	127 - 165		
66178	66178P	104	5 1/2 - 7	140 - 178		
66191	n/a	112	6 - 7 1/2	152 - 191		
66203	n/a	120	6 1/2 - 8	165 - 203		
66216	n/a	128	7 - 8 1/2	178 - 216		
66232	n/a	138	7 5/8 - 9 1/8	194 - 232		
66257	n/a	154	8 5/8 - 10 1/8	219 - 257		
66283	n/a	170	9 5/8 - 11 1/8	244 - 283		
66308	n/a	186	10 5/8 - 12 1/8	270 - 308		

## BREEZE 316 STAINLESS STEEL CLAMPS

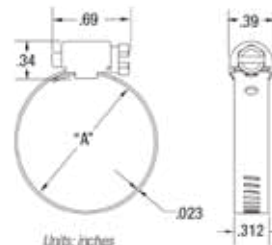
### Breeze Mini, 316 SS

A lightweight, streamlined hose clamp generally used in small diameter applications such as air and fuel lines. 5/16" band with engineered perforations, three-piece construction, SAE standard J1508 type M, 1/4" hex screw, 5/16" band and one-piece housing all in 316 stainless steel. Made in the USA!

Hose Clamps



Packaging	SAE	Clamping Range		Band Width
		Inches	mm	inch
Box of 10				5/16
50010	4	7/32 - 5/8	6 - 16	
50011	6	7/16 - 25/32	11 - 20	
50012	8	1/2 - 29/32	13 - 23	
50013	10	9/16 - 1-1/16	14 - 27	
50014	16	15/16 - 1-1/2	24 - 38	
50015	20	1-3/16 - 1-3/4	30 - 44	
50016	24	1-7/16 - 2	37 - 51	
50017	28	1-11/16 - 2-1/4	43 - 57	



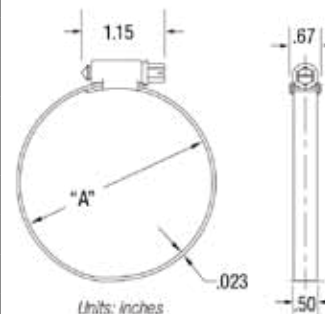
**Band Width: 5/16"**  
**Hex Screw: 1/4"**

### Breeze Power-Seal®, 316 SS

A general purpose marine quality worm-drive hose clamp with engineered perforations for added strength. 1/2" band with engineered perforations, quadra-lock construction, SAE standard J1508 type F, 5/16" hex screw, 1/2" band and two-piece housing all in 316 stainless steel. Made in the USA!

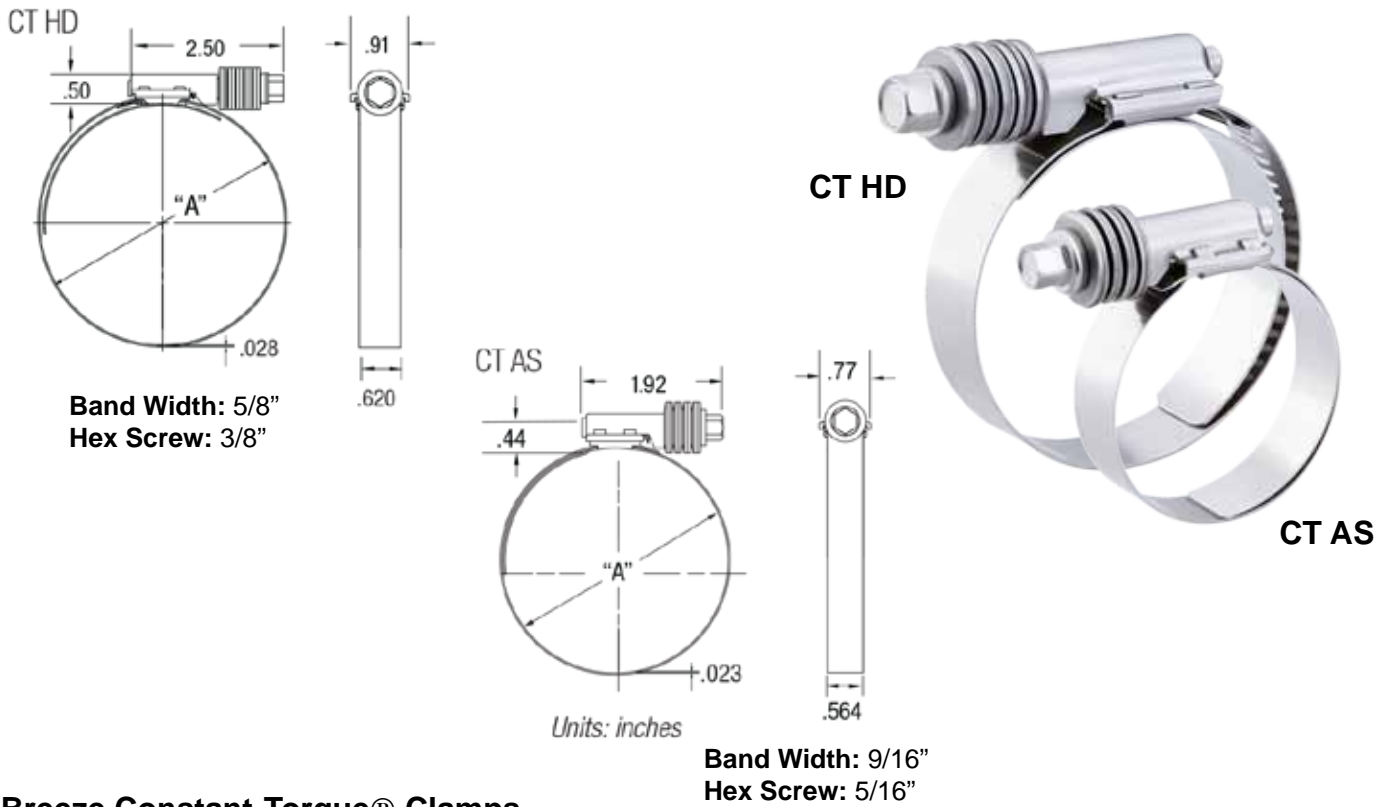


Packaging	SAE	Clamping Range		Band Width
		Inches	mm	inches
Box of 10				1/2
50030	6	7/16 - 25/32	11 - 20	
50031	8	1/2 - 29/32	13 - 23	
50032	10	9/16 - 1-1/16	14 - 27	
50033	12	11/16 - 1-1/4	17 - 32	
50034	16	13/16 - 1-1/2	21 - 38	
50035	20	13/16 - 1-3/4	21 - 44	
50036	24	1-1/16 - 2	27 - 51	
50037	28	1-5/16 - 2-1/4	33 - 57	
50038	32	1-9/16 - 2-1/2	40 - 64	
50039	36	1-13/16 - 2-3/4	46 - 70	
50040	40	2-1/16 - 3	52 - 76	
50041	44	2-5/16 - 3-1/4	59 - 83	
50042	48	2-9/16 - 3-1/2	65 - 89	
50043	52	2-13/16 - 3-3/4	71 - 95	
50044	56	3-1/16 - 4	78 - 102	
50045	60	3-5/16 - 4-1/4	84 - 108	
50048	72	1-7/8 - 5	48 - 127	
50049	80	2-1/2 - 5-1/2	64 - 140	



**Band Width: 1/2"**  
**Hex Screw: 5/16"**

# BREEZE CONSTANT-TORQUE® CLAMPS



Hose Clamps

## Breeze Constant-Torque® Clamps

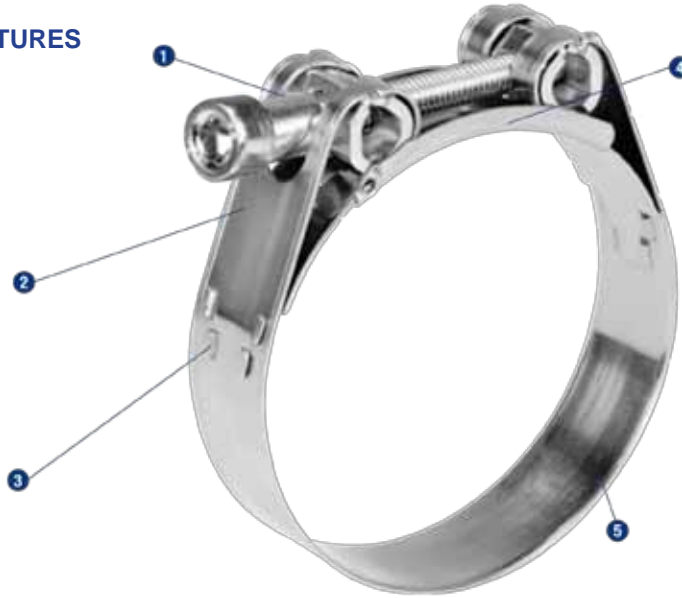
A worm drive hose clamp that automatically increases or decreases diameter due to changes in temperature. Extended inner liner, constant-tension performance, SAE standard J1508 type SLF & SLHD, 410 stainless steel hex screw, 300-series stainless steel band and stainless steel Belleville washers. Made in the USA!

Type	Packaging	SAE	Clamping Range		Band Width
	Box of 10		Inches	mm	inches
CT AS	50200	10	9/16 - 1-1/16	14 - 27	9/16
	50201	16	13/16 - 1-1/2	21 - 38	
	50202	24	1-1/16 - 2	27 - 51	
CT HD	50203	212	1-1/4 - 2-1/8	32 - 54	5/8
	50204	262	1-3/4 - 2-5/8	45 - 67	
	50205	312	2-1/4 - 3-1/8	57 - 79	
	50206	362	2-3/4 - 3-5/8	70 - 92	
	50207	412	3-1/4 - 4-1/8	83 - 105	
	50208	462	3-3/4 - 4-5/8	95 - 118	
	50209	512	4-1/4 - 5-1/8	108 - 130	
	50210	562	4-3/4 - 5-5/8	121 - 143	
	50211	612	5-1/4 - 6-1/8	133 - 156	
	50212	662	5-3/4 - 6-5/8	146 - 168	
	50213	712	6-1/4 - 7-1/8	159 - 181	
	50214	762	6-3/4 - 7-5/8	172 - 194	
	50215	812	7-1/4 - 8-1/8	184 - 206	
	50216	862	7-3/4 - 8-5/8	197 - 219	
	50217	912	8-1/4 - 9-1/8	210 - 232	

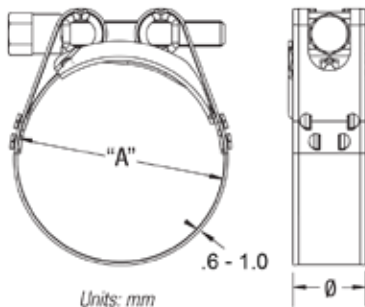
## Heavy-Duty GBS (W5) SS

Heavy Duty low profile bolt clamps. Particularly suited for sealing exhaust, pressure or suction lines with plastic or steel inserts and high shore hardness values. Their distinguishing feature is the extremely high band tensile force. Assembly is easily completed by means of either manual, pneumatic or electric standard tools.

### TECHNICAL FEATURES



1. New specially designed 6mm hexagonal socket screw with integrated spacer = improved efficiency.
2. Reinforced loops = allow to withstand significantly higher torques.
3. Mechanically locked closure = no welding points, no contact corrosion.
4. Bridge = optimal hose protection.
5. Robust band with rounded edges = protection against injuries and damage to the hose surface.



- Band, Screw & Housing: High Grade Stainless Steel throughout (1.4401/AISI 316)
- Hollow Trunnions
- Diameter Range: 1 1/16" - 12" (17mm - 304mm)
- Available in 4 Band Widths: 18mm - thickness 0.6mm, 20mm - thickness 0.8mm, 25mm - thickness 1.0mm and 30mm - thickness 1.0mm
- Recommended tightening torque: 18mm band = 8 Nm, 20mm band = 10 Nm, 25mm band = 20 Nm, 30mm band = 25 Nm
- Fracture torque: 18mm band = 15 Nm, 20mm band = 20 Nm, 25mm band = 30 Nm, 30mm band = 45 Nm.

## Heavy-Duty GBS (W5) SS

<b>EACH</b>	<b>Packaging</b>	<b>Clamping Range</b>		<b>Band Width</b>	
<b>Part #</b>	<b>Box of 10</b>	<b>Inches</b>	<b>mm</b>	<b>Inches</b>	<b>mm</b>
67000	67100	11/16 - 3/4	17 - 19	11/16	18
67001	67101	3/4 - 13/16	19 - 21		
67002	67102	13/16 - 7/8	21 - 23		
67003	67103	7/8 - 1	23 - 25		
67004	67104	1 - 1 1/16	25 - 27		
67005	67105	1 1/16 - 1 1/8	27 - 29		
67006	67106	1 1/8 - 1 1/4	29 - 31		
67007	67107	1 1/4 - 1 5/16	31 - 34		
67008	67108	1 5/16 - 1 7/16	34 - 37		
67009	67109	1 7/16 - 1 9/16	37 - 40		
67010	67110	1 9/16 - 1 11/16	40 - 43		
67011	67111	1 11/16 - 1 7/8	43 - 47		
67012	67112	1 7/8 - 2	47 - 51		
67013	67113	2 - 2 3/16	51 - 55		
67014	67114	2 3/16 - 2 5/16	55 - 59		
67015	67115	2 5/16 - 2 1/2	59 - 63		
67016	67116	2 1/2 - 2 11/16	63 - 68		
67017	67117	2 11/16 - 2 7/8	68 - 73	1	25
67018	67118	2 7/8 - 3 1/8	73 - 79		
67019	67119	3 1/8 - 3 3/8	79 - 85		
67020	67120	3 3/8 - 3 9/16	85 - 91		
67021	67121	3 9/16 - 3 13/16	91 - 97		
67022	67122	3 13/16 - 4 1/8	97 - 104		
67023	67123	4 1/8 - 4 7/16	104 - 112		
67024	67124	4 7/16 - 4 3/4	112 - 121		
67025	67125	4 3/4 - 5 1/8	121 - 130		
67026	67126	5 1/8 - 5 1/2	130 - 140		
67027	67127	5 1/2 - 5 7/8	140 - 150		
67038	67138	5 7/8 - 6 3/8	150 - 162	1 3/16	30
67028	67128	6 3/8 - 6 7/8	162 - 174		
67029	67129	6 7/8 - 7 3/8	174 - 187		
67030	67130	7 3/8 - 7 7/8	187 - 200		
67031	67131	7 7/8 - 8 3/8	200 - 213		
67032	67132	8 3/8 - 8 7/8	213 - 226		
67033	67133	8 7/8 - 9 3/8	226 - 239		
67034	67134	9 3/8 - 9 15/16	239 - 252		
67035	67135	9 15/16 - 10 7/16	252 - 265		
67036	67136	10 7/16 - 11	265 - 278		
67037	67137	11 1/2 - 12	291 - 304		

Hose Clamps

## ABA Rubber Lined (W4) SS



### Vibration Dampening Support

To properly guard sensitive items from damage due to vibration use ABA Rubber Lined Clamps. Ideal for pipes, cables, groups of cables, hoses, etc. The clamp is made of 304 stainless steel with a rubber liner that also protects the band edges. Impacts and vibrations are dampened by the rubber which also eliminates wear and tear.

### Applications

ABA rubber lined clamps are used in the automotive and marine industries, mechanical and apparatus construction, electrical, hydraulic and pneumatic engineering, process industries, shipbuilding, refrigeration and freezing plants, etc.

Packaging		Clamping Range		Band Width
Bag of 50	Box of 10	Inches	mm	mm
32301	13301	3/16	5	12
32302	13302	1/4	6	
32303	13303	5/16	8	
32304	13304	3/8	10	
32305	13305	7/16	11	
32306	13306	1/2	13	
32307	13307	9/16	14	
32308	13308	5/8	16	
32310	13310	3/4	19	
32312	13312	7/8	22	
32314	13314	1	25	
32316	13316	1 1/8	29	
32318	13318	1 1/4	32	
32320	13320	1 3/8	35	
32322	13322	1 1/2	38	
32323	13323	1 3/4	45	

# ABA Clamp Assortments / Accessories



## Counter Top Display Rack

Contains 240 assorted ABA 316 Original and 304 Mini stainless steel hose clamps.

**Dimensions:** 23 1/4"W x 12 1/2"H x 7"D

**Shipping Weight:** 17 Lbs.

**#31604** Rack with 316 Stainless Steel and 304 Mini Clamps

**#24401** Display Rack Only

Clamp #	Quantity	Range mm	SAE Size
13014	12	8 - 14	3
13017	12	11 - 17	4
13020	12	13 - 20	6
13024	12	15 - 24	8
13028	12	19 - 28	10
13032	12	22 - 32	12
13038	12	26 - 38	16
13044	12	32 - 44	20
13050	12	38 - 50	24
66057	12	32 - 57	28
22008	12	7.5 - 8.5	8 mm
22009	12	8.5 - 9.5	9 mm
22010	12	9.5 - 11	10 mm
22011	12	10.5 - 12	11 mm
22012	12	11.5 - 13	12 mm
22013	12	12.5 - 14	13 mm
22014	12	13.5 - 15	14 mm
22015	12	14.5 - 16	15 mm
22016	12	15 - 17	16 mm
22017	12	16 - 18	17 mm



## Flexible 7mm Socket Drivers

**#60002** 10" Length

**#60003** 24" Length

## Blue Clamp Tail Sleeves



**#31601P** 5/16" 25 Pack

**#31602P** 5/16" 100 Pack

**#31611P** 1/2" 25 Pack

**#31612P** 1/2" 100 Pack



## Cruiser Pack

Contains 56 assorted ABA 316 stainless steel clamps and 1 #60002 Flexible nut driver

**Dimensions:** 14" L x 9" W x 2" D

**Shipping Weight:** 5 Lbs.

**#31606** Plastic Case with 316 Original Stainless Steel Clamps

Clamp #	Quantity	SAE Size
13017	10	4
13020	10	6
13028	10	10
13038	10	16
13050	8	24
66064	8	32



## Hose Clamp Suitcase

Contains 250 assorted ABA 316 Original stainless steel hose clamps and 1 #60002 Flexible nut driver

**Dimensions:** 18 3/8"W x 12 1/4"L x 3"D

**Shipping Weight:** 17 Lbs.

**#31605** Case with 316 Stainless Steel Clamps

**#10730** Assortment Case Only

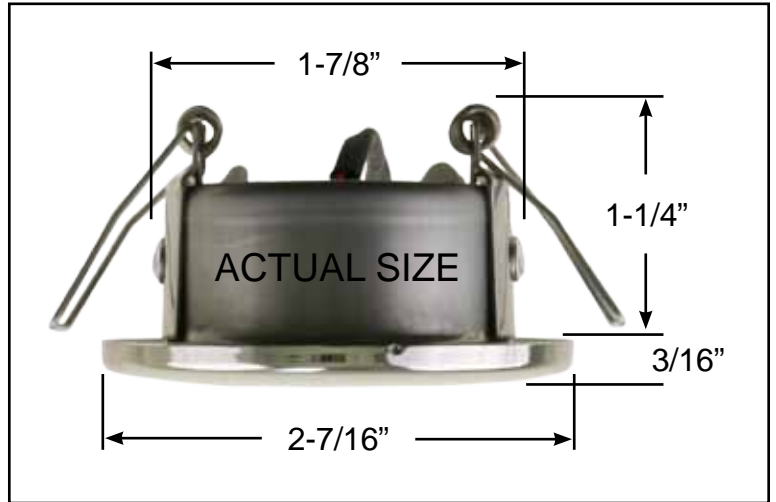
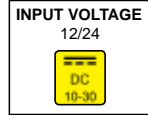
Clamp #	Quantity	Range mm	SAE Size
13014	50	8 - 14	3
13017	40	11 - 17	4
13020	40	13 - 20	6
13024	25	15 - 24	8
13028	25	19 - 28	10
13032	20	22 - 32	12
13038	15	26 - 38	16
13044	15	32 - 44	20
13050	10	38 - 50	24
66057	10	32 - 57	28

## 4 COLOR LED

A2.5 weather proof down lights are able to display your choice of White, Blue, Red or Green with no special switches, wires or controllers. Auto cycling 2-wire down lights. Switch light off and on again within 1.5 seconds to cycle through each of the four colors. Turning the light off for more than 5 seconds resets the light to White. Made of rugged stainless steel with IP67 protection, this light is easily suitable for overhead interior ceilings or exterior locations in T-tops, hard tops, flybridge or covered decks. Installation requires no special tools, strong stainless steel spring clips hold light firmly in place in a 2" diameter mounting hole.

### #41416P A2.5 4-COLOR Down Light

- Auto cycling: Daylight White/Blue/Red/Green
- 2" Mounting Hole, Flush/Spring Clip Mount
- Switch OFF/ON within 1.5 seconds to select color
- Auto resets to White when turned off
- Daylight White (5500-6300K) / 286 Lumens
- 12/24 V - 2.6 W
- IP67
- 316 Stainless Steel





# LED Ceiling Lights

## A3



Stainless Steel Trim



White Plastic Trim



Stainless Steel Trim

Other Trim Rings Available:  
 - Round Brass  
 - Square 316 Stainless Steel

### 3" LED Ceiling Light

- Dimmable -- with any Pulse-Width Modulation Dimmer
- Polycarbonate Lens

#### Warm White LED

- 6 x 0.5 Watt Warm White LED
- 242 Lumens
- 12 V - 2.2 W

**#41368P** Flush Mount, 316 Stainless Steel Trim

**#41379P** Flush Mount, White Trim

**#41317P** Surface Mount, White Trim

**#41373P** Surface Mount, 316 Stainless Steel Trim

**#41393P** Flush Mount, Black Trim

**#41300P** Flush Mount packaged with SS White & Black Trim

#### Cool white LED

- 6 x 0.5 Watt Cool White LED
- 170 Lumens
- 12 V - 2.2 W

**#41420P** Flush Mount, 316 Stainless Steel Trim

**#41421P** Flush Mount, White Trim

**#41423P** Surface Mount, White Trim

**#41422P** Flush Mount, Black Trim

**#41301P** Flush Mount packaged with SS White & Black Trim

#### Dual Color, Warm White with Blue Night Light

- 6 x Warm White LED
- 6 x TOP Blue LED
- 12 V - (White 2.2 W) (Blue 0.45 W)
- 3-Wire

**#41376P** Flush Mount, 316 Stainless Steel Trim

**#41377P** Flush Mount, White Trim

**#41378P** Surface Mount, 316 Stainless Steel Trim

**#41394P** Flush Mount, Black Trim

**#41302P** Flush Mount packaged with SS White & Black Trim

- IP67
- Screw mount
- Snap-over trim ring



Black Plastic Trim



41317P Warm White  
41423P Cool White



#### Dual Color, Warm White with Red Night Light

- 6 x Warm White LED
- 6 x TOP Red LED
- 12 V - (White 2.2 W) (Red 0.45 W)
- 3-Wire

**#41386P** Flush Mount, 316 Stainless Steel

**#41385P** Flush Mount, White Trim

**#41387P** Surface Mount, 316 Stainless Steel

**#41395P** Flush Mount, Black Trim

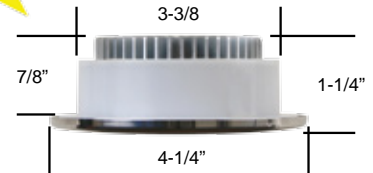
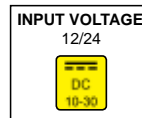
**#41303P** Flush Mount packaged with SS White & Black Trim

## A4



**#41559P** 4" LED 4-Color Ceiling Light ← **NEW**  
**#41369P** 4" LED Warm White Ceiling Light

- Dimmable (Warm White)
- Screw Mount
- Polycarbonate lens
- 316 Stainless Steel trim ring
- 16 x .5 W (4500K) (Warm White)
- 180 Lumens (Warm White)
- 12/24 V - 6 W (Warm White)
- IP-67

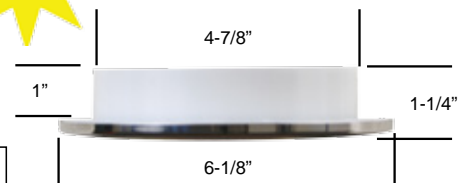
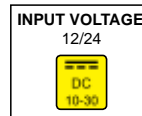


## A6




**#41561P** 6" LED 4-Color Ceiling Light ← **NEW**  
**#41370P** 6" LED Warm White Ceiling Light

- Dimmable (Warm White)
- Screw Mount
- Polycarbonate lens
- 316 Stainless Steel trim ring
- 26 x .5 W (4500K) (Warm White)
- 545 Lumens (Warm White)
- 12/24 V - 9.3 W (Warm White)
- IP-67





## Surface Mount Ceiling / Dome Lights




5"

1/2"

### LED Dual-Color Low-Profile Dome Light


**#41461P** LED Warm White / Blue

- 12/24 V - 6 W
- 30 LED Warm White (2900-3200K)
- 390 Lumens
- 26 LED Blue
- Plastic housing
- Surface mount
- IP65
- Touch Switch
- Switch glows Blue



**#41462P** LED Warm White / Red

- 12/24 V - 6 W
- 30 LED Warm White (2900-3200K)
- 390 Lumens
- 26 LED Red
- Plastic housing
- Surface mount
- IP65
- Touch Switch
- Switch glows Blue



INPUT VOLTAGE  
12/24  
DC  
10-30

INPUT VOLTAGE  
12/24  
DC  
10-30

Lighting




1-1/4"

5-1/2"

**#41340P** LED ceiling light with switch

- 12V - 4.4W
- Dimmable when connected to an external dimming module (steady volt, non PWM)
- 24 x 0.2 Watt 2835 LEDs
- Warm White (2900-3200K)
- 328 Effective Lumens
- Plastic housing with high impact plastic lens
- Surface Mount
- IP66



5-1/8"


3/4" High

**#41323P**

- 12/24 V
- 51 x 0.5 Watt 2835 LEDs
- Natural White (4500K)
- 720 Effective Lumens
- Plastic housing with high impact plastic lens
- Surface mount, 3 SS Screws Included
- IP67
- Three Stage Dimming Touch Switch
- Switch glows Blue

INPUT VOLTAGE  
12/24  
DC  
10-30

### LED Traditional SS Dome Light



**#41324P** LED 5-1/2" Dia. x 1-1/2" High

**#41325P** LED 6-3/4" Dia. x 1-5/8" High

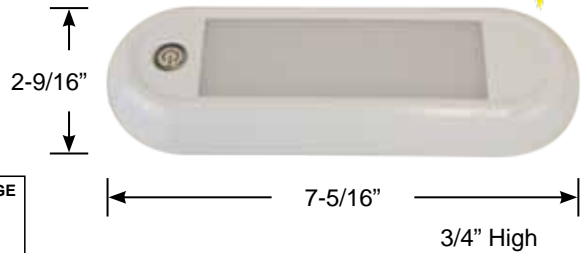
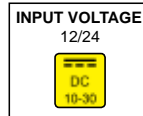
- New LED version
- Stainless Steel
- Prismatic plastic lens
- Surface Mount
- 229 Lumens
- 12 V - 1.7 W
- 15° Beam Angle
- Side mounted on/off switch. Illuminated by 20 SMD 2835 warm white (4000K) LED's (compares with a 20 Watt Halogen bulb)

## Surface Mount Ceiling Lights

### LED 7" Oval Dome Light with Touch Switch

#### #41322P

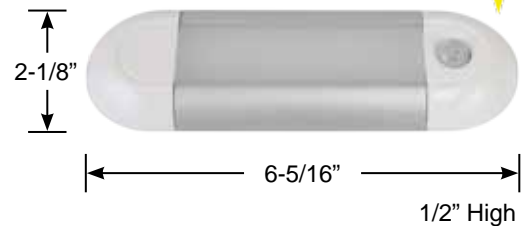
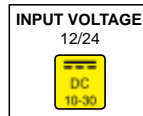
- 12/24V
- 42 x 0.5 Watt 2835 LEDs
- Natural White (4500K)
- 680 Effective Lumens
- Plastic housing with high impact plastic lens
- Surface mount, 2 SS Screws Included
- IP67
- Three Stage Dimming Touch Switch
- Switch glows Blue



### LED 6" Rail Light with Motion Switch

#### #41465P

- 12/24V
- 22 x 0.2 Watt 2835 LEDs
- Color White
- 195 Effective Lumens
- Aluminum housing with high impact plastic lens
- Surface mount, 2 SS Screws included
- IP67
- Motion Switch (Light stays on 35 seconds after last movement)



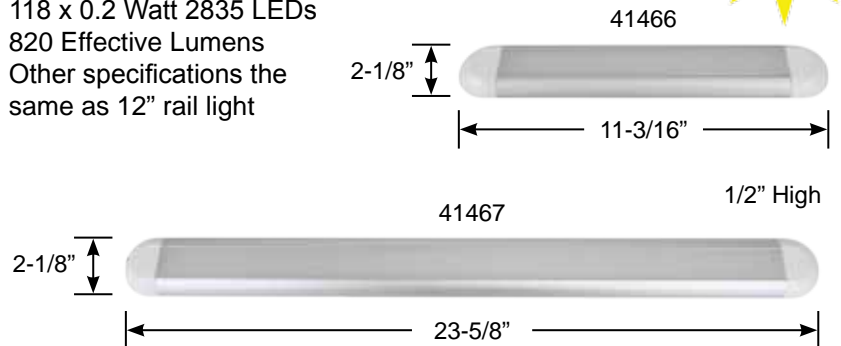
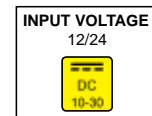
### LED 12" & 24" Rail Lights

#### #41466P 12"

- 12/24V
- 58 x 0.2 Watt 2835 LEDs
- Color White
- 550 Effective Lumens
- Aluminum housing with high impact plastic lens
- Surface mount, 2 SS Screws included
- IP67
- Without switch

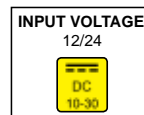
#### #41467P 24"

- 118 x 0.2 Watt 2835 LEDs
- 820 Effective Lumens
- Other specifications the same as 12" rail light



#### #41364P LED cabin light with switch

- Dimmable when connected to an external dimming module
- 12/24 V - 9 W
- 32 x 0.5 Watt Samsung 5630 LEDs
- Warm White (3000K)
- 535 Lumen
- Polycarbonate housing and diamond cut lens
- Surface Mount
- IP40 (for interior use)
- Dimensions: 13" L x 2-3/4" W x 7/8" H



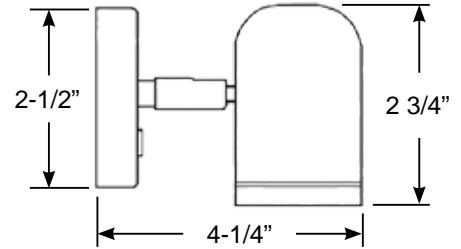
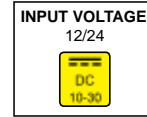
# Cabin and Reading Lights



**#19052P** LED Polished Brass

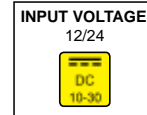
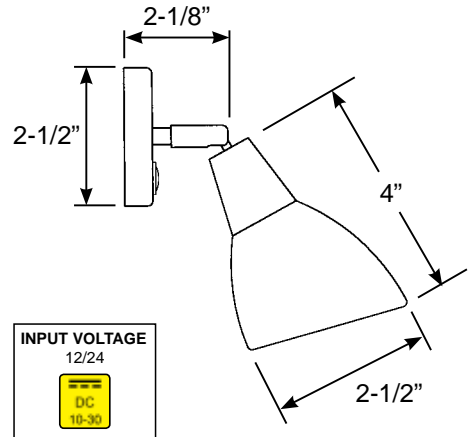
- 12/24 V - 3.1 W
- Adjustable swivel light
- On/off rocker switch
- 16 SMD 2835 Warm White (2900-3200K) LED
- 154 Lumen
- 120° Beam Angle

**#19053P** LED 304 Stainless Steel



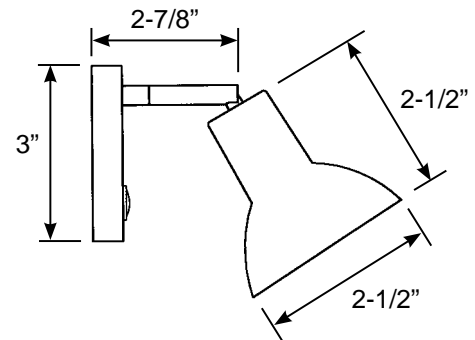
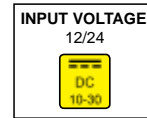
**#41365** LED Frosted Glass Shade

- 12/24 V - 1.5 W
- Adjustable swivel light
- On/off rocker switch
- 304 Stainless Steel
- White frosted glass shade
- 0.12 A @ 12V, 0.06 A @ 24 V
- Warm White (2900-3200K) LED
- 290 Lumen
- 340° Beam Angle

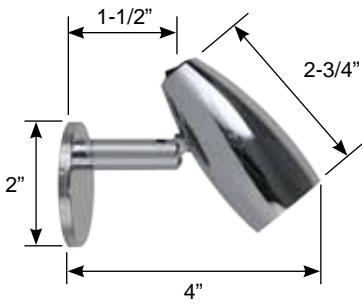


**#41366** LED Chrome

- 12/24V
- Adjustable swivel light
- Chrome plated brass
- On/off rocker switch
- Dimmable

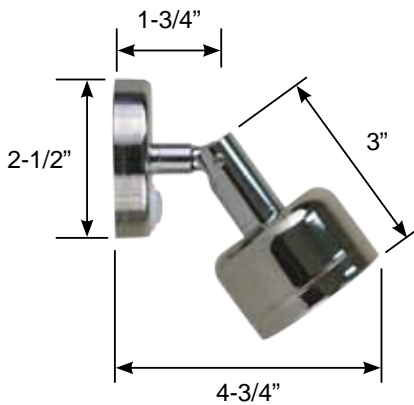
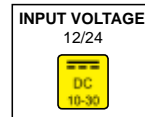


## Cabin and Reading Lights



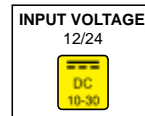
**#41396P** LED Micro Reading Light

- Adjustable swivel light
- Chrome plated brass
- On/off rocker switch
- 12/24 V - 2.0 W
- 12 x 0.2 Watt LEDs
- Warm White (2,900-3,200K)
- 120 Lumen
- Beam Angle 120°
- LED Lifetime: 50,000 hours



**#41397P** LED Allure Reading Light

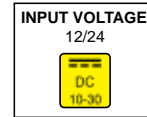
- Dimmable
- Adjustable swivel light
- 304 Stainless Steel
- On/off rocker switch
- 12/24 V - 3.1 W
- 1 x 3.0 Watt LED
- Warm White (2,850-3,200K)
- 160 - 140 Lumen
- Beam Angle 110°
- LED Lifetime: 50,000 hours



**#41336** LED Chart Light

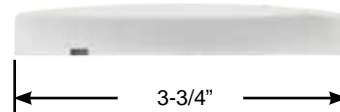
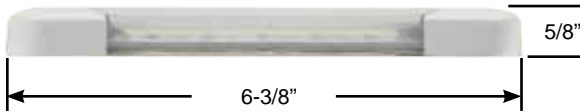
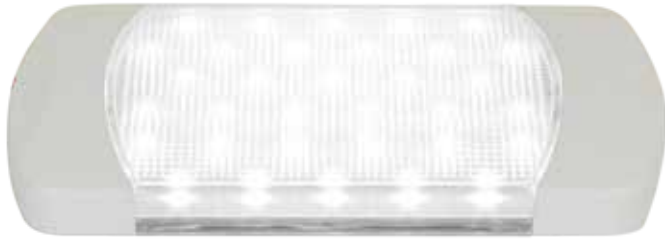
- 12 V - 6 W
- 20-1/2" flexible arm
- 8 RED LEDs
- On/off rocker switch located on base
- Plastic base and LED housing with chrome spiral flexible arm

## Engine Room / Utility Lights

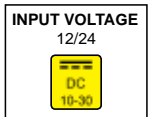


### #41590P E-330 LED Compact Engine Room Light

- 12/24 V - 10 W
- 33 x 0.5 Watt 2835 LEDs
- Cool White (5700-6300K)
- 727 Lumen
- Polycarbonate Lens with plastic housing
- Beam Angle: 120°
- Surface Mount (wire can exit from bottom or end of fixture)
- IP67



41389P

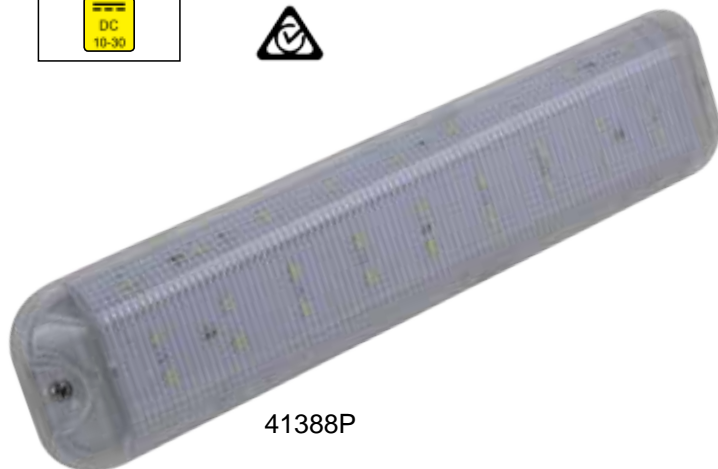


MARINE  
IGNITION  
PROTECTED



### #41388P E-360

- 12 V - 13.2 W
- LED Quantity: 36 (4 rows of 9 SMD2835 LEDs)
- Lumen: 1,154
- Protection: IP65



41388P

### #41389P E-500

- 12/24 V - 18 W
- LED Quantity: 50 (5 rows of 10 SMD2835 LEDs)
- Lumen: 1,520

- Protection: IP65
- LED Type: SMD5630 Cool White (5,500K-6,300K)
- Beam Angle: 120°
- Surface Mount (hardware included)
- Wire can exit from bottom or end of fixture
- Dimensions: 13" L x 2-3/4" W x 1" H

# Engine Room / Utility Lights

## #41593P E-1680 LED Engine Room / Utility Light



This super-bright, vibration resistant LED light meets the expectations of next generation vessels, refits or upgrades. The fixture can be powered by your DC battery system, AC generator/shore power or both. If connected to both, the PC board automatically switches to DC power, when AC power is lost. Meets the Requirements and Standards for SAE J1171. USCG. ABYC & NMMA. Includes trim ring for surface mount installation



- Flush or Surface Mount
- Single or dual voltage
- 30 Watt
- 168 Super-Bright 2835 LEDs
- Cool White (6000K)
- 3400 Lumen (similar to 2 x T8 fluorescent's)
- Beam Angle: 120°
- IP67
- Stainless Steel mounting hardware included
- 3-Year Warranty

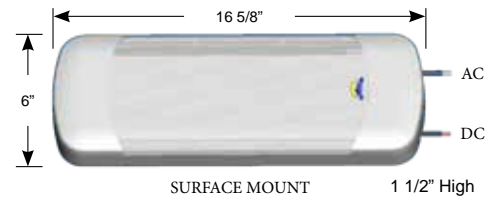


**INPUT VOLTAGE**  
12/24      110/220

 DC 10-30	AND OR	 AC 85-250
--	-----------	---

50/60 Hz

MARINE  
IGNITION  
PROTECTED



Lighting

# LED Spreader / Deck Lights



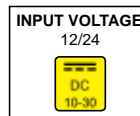
## Bracket Mount Spreader Light

**#41440P White**

**#41441P Black**

Scandvik's LED Spreader Light is the perfect solution to illuminate your deck or cockpit. Featuring five, daylight white 3W LEDs providing 900 effective lumen output. A white Zytel® composite housing was designed specifically for the rigors of the marine environment. An adjustable stainless steel bracket mounting solution allows you to aim the light where it is needed most. Guaranteed against corrosion, discoloration and water intrusion. Three year Manufacturers Warranty.

- 12/24 V - 12 W
- UV Resistant Polycarbonate housing
- Polycarbonate Lens
- 900 Lumens
- IP67
- Comparable to a 120 Watt halogen bulb



Lighting

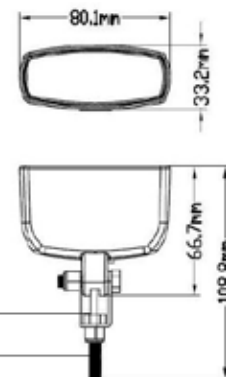
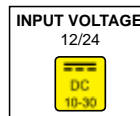


## Compact Size LED Spreader Light

**#41445P White**

**#41446P Black**

- 12/24 V - 5 W
- 3 x 3W LEDs
- UV Resistant Polycarbonate housing
- Polycarbonate Lens
- 610 Lumens
- IP67
- Comparable to a 75W halogen bulb



**#41436 Flush Mount White**

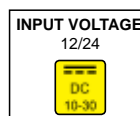
**#41437 Flush Mount Black**

- 2 x 5 Watt Cree 3535 LEDs
- 500 Lumen
- 4" W x 2-1/2" H x 2" D
- Cutout: 2-3/4" W x 1-5/8" H



**#41435 Bracket Mount**

- 2 x 5 Watt Cree 3535 LEDs
- 500 Lumen
- 4-1/4" W x 2-5/8" H x 2-1/8" D

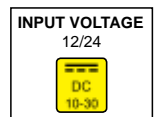






**#41343 Flush Mount with White Trim**

**#41356 Flush Mount with Black Trim**



### NEW FLUSH MOUNT

- 12/24 V - 12 W
- Polycarbonate Frame
- Polycarbonate Lens
- UV Resistant
- Hidden Mounting Screws
- Cool white LED color (5,500 - 6,300K)
- Temperature of LED: less than 158° with 77° ambient temperature
- Five 3 Watt Samsung 3535 LEDs
- 900 Lumens
- Equivalent to 120 Watt Halogen bulbs
- LED Lifetime: 50,000 Hours
- LED Beam angle: 110°
- 0.8 Amp draw at 12 Volt
- IP67
- Fits previous model cutout
- Dimensions: 6" W x 2-1/2" H x 1-3/4" D
- Cutout: 4-1/2" W x 1-1/2" H

## Underwater and Dock Lights

### U-12 Underwater LED Light

- #41430P White
- #41431P Blue
- #41432P Green



Thru-Hull Surface Mount  
Requires 3/8" (10mm) Hole



Standoff Block  
(Included)



Standoff Surface Mount  
(Does not require hole  
through transom)



- Copolyester (PCTG) Lens Housing
- 12 X SMD2835 (white & blue) Super Bright LEDs or 5mm High Flux green LEDs
- 414 Lumen (White)
- IP68
- 12 V
- White: 2.3 W, 0.2 A
- 20° Beam Angle provides intense illumination
- Mount with wire thru-hull or wire outside hull using included stand off mounting block
- 5' Cable / SS Screws Included
- Dimensions Thru-Hull Surface Mount: 3-3/8" W x 1-5/8" H x 7/8" D
- Dimensions Standoff Surface Mount: 3-3/8" W x 1-5/8" H x 1-1/4" D

**NEW**



#### LED Solar Powered Dock Light

This Dock Light uses solar power to charge the battery during the daytime and turns on automatically at night. The number of hours the Dock Light illuminates depends on your geographical location, weather conditions and season. Mount lights 6 feet apart. SS wood screws included.

**Material:** Polycarbonate housing

**LED Color:** Cool White

**Solar Battery:** 2 V - 0.4 W

**Charge Battery:** NI-MH AAA 650mAH, 1.2 V

**Beam Angle:** 30°

**Operating Temperature:** -4° F ~ 122° F

**Protection:** IP67

**Dimensions:** 4" x 4"

#41750

#41750P 2-Pack

# Courtesy Lights

## Oval LED Courtesy Light with Blue Light

Small size surface mount 2-LED light with Polished 304 Stainless Steel trim. Suitable for interior or exterior installation. Stainless Steel mounting screws included.

- 12 V - 0.4 W
- 0.03 A
- Beam Angle 120°
- 5 Lumens
- IP67
- 1-11/16" W x 1" H x 3/8" D



#41460

## R-5

LED Courtesy lights with polished 316 Stainless Steel trim.

- 12 V - 0.4 W
- 0.03 Amp
- 5 x TOP LEDs
- Surface Mounted
- IP67
- 2-5/8" W x 13/16" H x 1/2" D



Side Illumination



Down Illumination

#41381 Daylight White Side Illumination, 15 Lumen

#41382 Blue Side Illumination, 3.5 Lumen

#41383 Daylight White Down Illumination, 15 Lumen

#41384 Blue Down Illumination, 3.5 Lumen

## O-5

LED surface mount courtesy light. ABS housing with white or stainless steel snap on trim. 5 x 0.4 Watt white LEDs (4,500K) or 5 TOP blue LED's. LED beam angle is 120°. White is 15 lumens and blue is 2.8 lumens. 12 V, IP65. Dimensions 2-7/8" L x 1-1/2" W x 7/16" D.

#41360 White LED with white trim

#41339 Blue LED with white trim

#41361 White LED with 316 Stainless Steel trim

#41362 Blue LED with 316 Stainless Steel trim



## #41371P LED Cockpit Light

- Surface Mount
- Polycarbonate housing and lens
- 5 x 0.5 W Warm White LED
- 128 Lumens
- 12 V - 2 W
- IP-67



## #41372P LED Cockpit Light

- Flush Mount
- Polycarbonate housing and lens
- 5 x 0.5 W Warm White LED
- 128 Lumens
- 12 V - 2 W
- IP-67



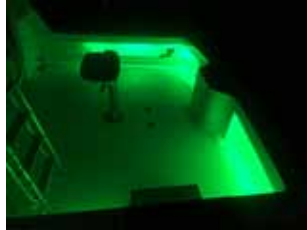
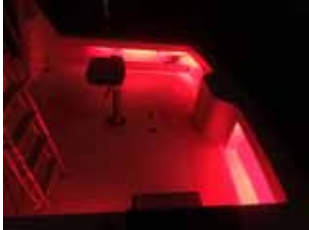
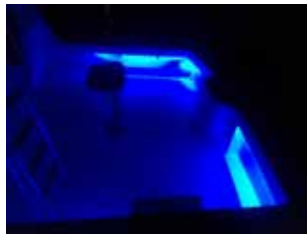
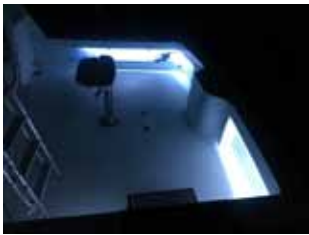
# SCAN-STRIP 4 - Color RGBW LED



16" RGBW SCAN-STRIP (30 LED)

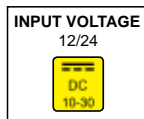


8" RGBW SCAN-STRIP (15 LED)



- RGBW LEDs
- Colors Daylight White (5500-6300K), Blue, Red, Green
- Lifespan 30,000 + Hours
- 120° Beam Angle
- 12/24 V (10-30VDC)
- Watts 8" = 1.2
- Watts 16" = 2.4
- Watts 20" = 3.1
- Lumens 8" White = 94
- Lumens 16" White = 180
- Lumens 20" White = 234
- IP65
- Ideal for under gunwale lighting
- SS Mounting Screws Included
- 1-year warranty
- 8" (8-7/8" L x 7/8" W x 1/2" H)
- 16" (16" L x 7/8" W x 1/2" H)
- 20" (20" L x 7/8" W x 1/2" H)

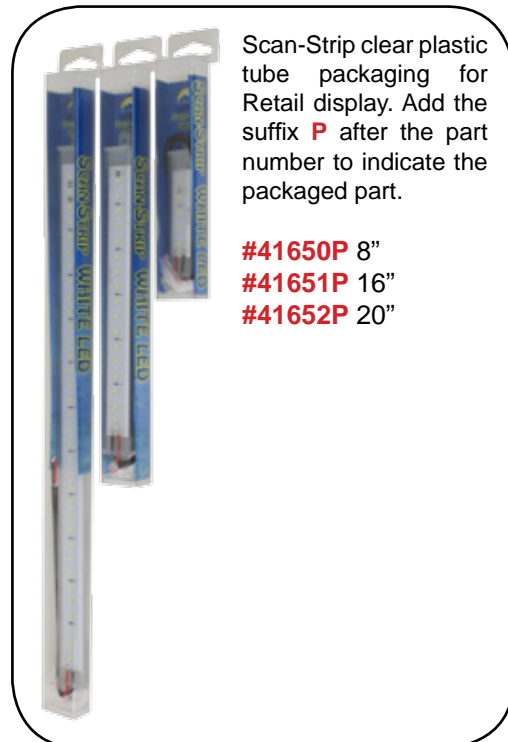
Scan-Strip 4-Color RGBW LED builds on the popularity of our original single color Scan-Strip LED. Simple 2-wire connections with any on/off switch is all that is required to cycle from White to Blue to Red to Green. Switch off for more than 4 seconds resets the color to white.



8" Scan-Strip 15 LEDs  
**#41650** RGBW

16" Scan-Strip 30 LEDs  
**#41651** RGBW

20" Scan-Strip 39 LEDs  
**#41652** RGBW



Scan-Strip clear plastic tube packaging for Retail display. Add the suffix **P** after the part number to indicate the packaged part.

- #41650P** 8"
- #41651P** 16"
- #41652P** 20"

# SCAN-STRIP LED



4" SCAN-STRIP (5 LED)



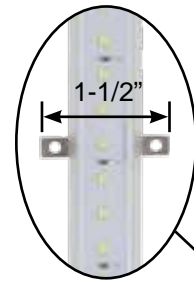
8" SCAN-STRIP (17 LED)



16" SCAN-STRIP (34 LED)



- NEW Super Bright 2835 LEDs
- Available in Cool White, Blue, Red and Green
- Lifespan 30,000 + Hours
- 120° Beam Angle
- 12 Volt
- Can be installed in engine rooms and exterior locations (IP65)
- Ideal for under gunwale lighting
- SS Mounting Screws Included
- 1-year warranty
- 4" (4" L x 7/8" W x 1/2" H)
- 8" (9" L x 7/8" W x 1/2" H)
- 16" (16-1/8" L x 7/8" W x 1/2" H)
- 36" (36" L x 7/8" W x 1/2" H)

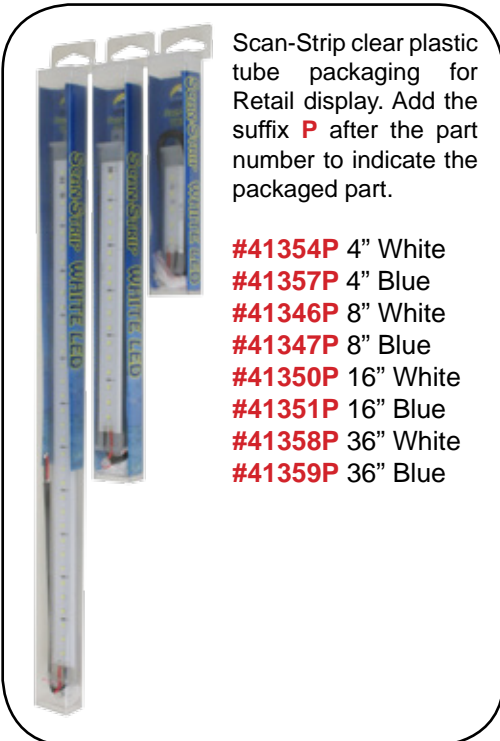


Middle support bracket

36" SCAN-STRIP (85 LED)

Lighting

Scan-Strip LED lighting is a quality product for marine or RV use. Mount them almost anywhere, under gunwales, in storage lockers, coolers, fish boxes, engine rooms. Use below deck in cabin areas for general lighting or courtesy lights.



Scan-Strip clear plastic tube packaging for Retail display. Add the suffix **P** after the part number to indicate the packaged part.

- #41354P** 4" White
- #41357P** 4" Blue
- #41346P** 8" White
- #41347P** 8" Blue
- #41350P** 16" White
- #41351P** 16" Blue
- #41358P** 36" White
- #41359P** 36" Blue

MARINE  
IGNITION  
PROTECTED



- 4" Scan-Strip 5 LEDs
- #41354** White (5,500K)
- #41357** Blue

- 8" Scan-Strip 17 LEDs
- #41346** White (5,500K)
- #41347** Blue

- 16" Scan-Strip 34 LEDs
- #41350** White (5,500K)
- #41351** Blue

- 36" Scan-Strip 85 LEDs
- #41358** White (5,500K)
- #41359** Blue

images are not to scale

# LED FLEX-STRIPS

## 12mm Wide Single Color



Thicker durable strip with no adhesive backing. 30 or 60 LED's per meter. 5-meter (16') reels wired at both ends, can be cut to custom lengths. 24 silicone mounting clips and 2 end caps included.  
\*Dimmable with optional controller.

Part Number	Color	LED's per meter	Length	Width	Voltage	Dimmable	Protection
41510	Warm White	60	16' (5-meter)	12mm	12 V	Yes*	IP68
41511	Cool White	60	16' (5-meter)	12mm	12 V	Yes*	IP68
41520	Red	30	16' (5-meter)	12mm	12 V	Yes*	IP68
41521	Blue	30	16' (5-meter)	12mm	12 V	Yes*	IP68
41522	Green	30	16' (5-meter)	12mm <td 12 V	Yes*	IP68	
41523	Blue	60	16' (5-meter)	12mm	12 V	Yes*	IP68

## 14mm Wide Dual Color



### TWO COLORS IN ONE STRIP!

Strips can be cut on the cut-marks and sealed with silicone end caps and installed with silicone clips included. Strips can be wired together to make longer runs.

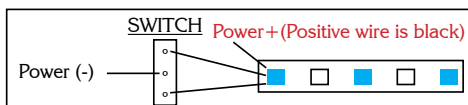
- Wired on both ends
- IP68
- SMD5050 LEDs
- 60 LED/meter
- Blue/Red or Cool White or both together
- 14mm wide
- Requires a double throw (on/off/on) switch



Short Length Kit Retail Package

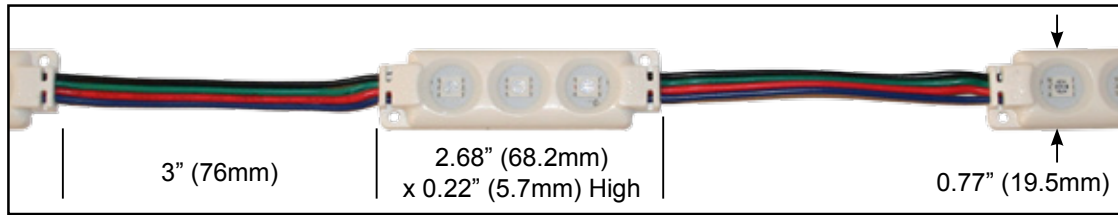


Optional mounting with 41731 14mm Flex-Trak

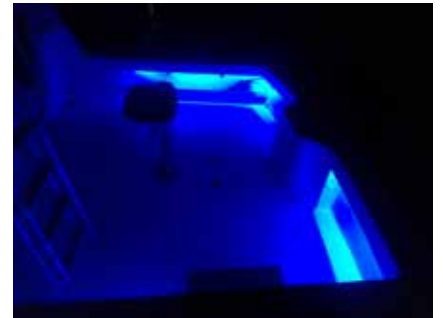
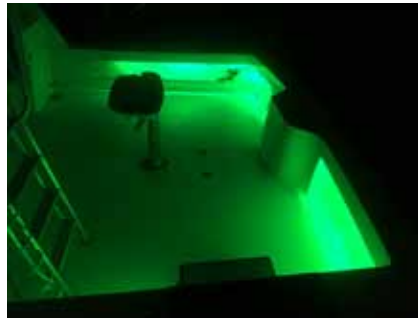


Part Number	Color	Length	Width	Voltage	Dimmable	Protection
41524	Blue-White	16' (5-meter)	14mm	12 V	Yes*	IP68
41525	Red-White	16' (5-meter)	14mm	12 V	Yes*	IP68
41514	Blue-White	21"	14mm	12 V	Yes*	IP68
41515	Red-White	21"	14mm	12 V	Yes*	IP68
41516	Blue-White	48"	14mm	12 V	Yes*	IP68
41517	Red-White	48"	14mm	12 V	Yes*	IP68

## RGB MODULES



- Weatherproof Rated IP67
- Shorten length by cutting the four wires between modules
- Lengthen by attaching up to four 20 module lengths together.
- Injection molded housing - Aluminum PCB with full resin sealant
- Three High intensity SMD5050 RGB LED, including Bright White illumination, in each module
- Modules: 0.72 W each
- Twenty RGB LED Module String: 14.4 W - 1.20 A
- Screw hole mounting tabs molded into each module.



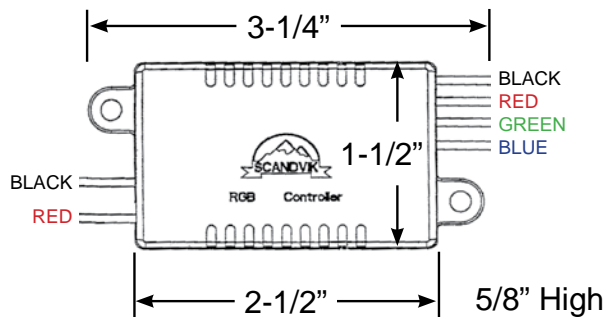
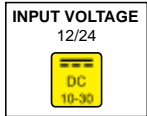
Part #	Description	Length	Voltage	Controller
<b>41580</b>	20 Module String	9'-3"	12 V	
<b>41581</b>	20 Module String with controller and 10M RGB wire	9'-3"	12 V	41606*
<b>41582</b>	Two 20 Module Strings with (41606) controller with Rainbow Touch remote and (19061) 10M RGB wire	18'-6"	12 V	41606*
<b>41583</b>	20 Module String with (41599) 4-color controller and (19061) 10M RGB wire	9'-3"	12 V	41599*
<b>41584</b>	Two 20 Module Strings with (41599) 4-color controller and (19061) 10M RGB wire	18'-6"	12 V	41599*

\* For controllers, see page 112

## ACCESSORIES

### #41599 LED RGB 4-Color Controller

- Works with any RGB LED Material
- Cycles through: White/Blue/Red/Green with any switch
- 4-Second Reset to White
- 12/24 V - 60 W
- IP67

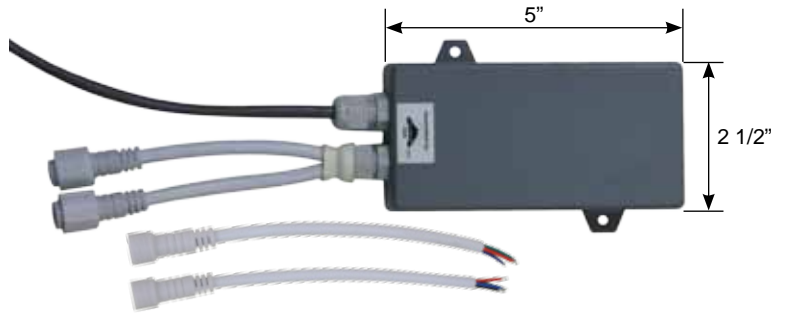
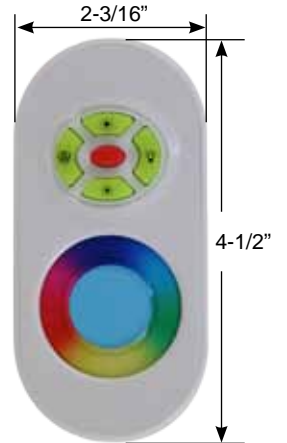


### #41606 RF RGB Controller with Rainbow-Touch Remote

#### #41615 Rainbow-Touch Remote ONLY

The RGB RF Wireless remote control utilizes an advance microprocessor control unit allowing the user to turn the LED Flex-Strip on and off, adjust the color, brightness and dimming and selecting one of 15 programmed lighting modes including flashing, fading and color jump.

- Works with any RGB material
- Technical parameters (controller):
- Input voltage: 12V
- Output control: 3 Circuits (Red, Green, Blue)
- Output Current: 6 A per circuit - 18 total Amps
- Output Power: 72 W per circuit - 216 total Watts
- Operating Temp: -4°F to 140°F
- Rainbow-Touch RF Remote:
- Power Supply: (2) AAA Batteries (Not Included)
- Material: ABS - UV Protected
- Transmit Range: Up to 60 Feet



## LED RGB ACCESSORIES

### #19061 10 Meter RGB 20 AWG wire



#41608 Weather proof LED power amplifier. Use between RGBW strings.  
Power: 12V, 4 A per channel  
Input & Output: RGBW channels





## Flex-Strip Accessories



**#41600** 12mm Silicone End Caps  
**#41602** 14mm Silicone End Caps



**#41601** 12mm Silicone Mounting Clips  
**#41603** 14mm Silicone Mounting Clips



**#41607** Wall Mount 12V Dimmer with IR Remote



### FLEX-TRAK

Flex-Trak plastic channel for 12mm and 14mm Flex-Strips  
 Flexible, easily cut to length, pre-drilled, mounting with #4 countersunk screws or double stick tape. Length: 4'.

**#41730** 12mm  
**#41731** 14mm



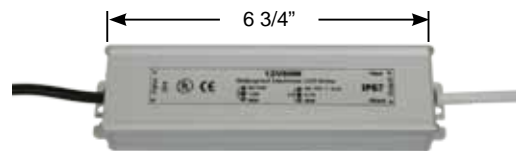
## WATERPROOF ELECTRONIC LED DRIVER POWER SUPPLIES

All are 12 V Output, IP67, UL Rated



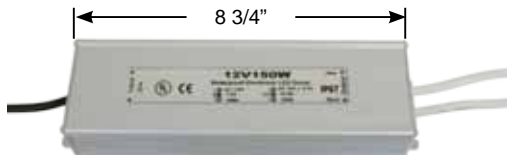
**#41610**

50 W  
 Input: AC 100~265 V - 0.4 A  
 Output: DC 12V - 4.16 A  
 Shipping Weight: 2 lbs.



**#41611**

80 W  
 Input: AC 110 V - 1.0 A  
 Output: DC 12 V - 6.7 A  
 Shipping Weight: 2 lbs.



**#41612**

150 W  
 Input: AC 110 V - 1.6 A  
 Output: DC 12 V - 12.5 A  
 Shipping Weight: 3 lbs.



**#41613**

250 W  
 Input: AC 110 ~ 250 V - 1.2 A  
 Output: DC 12 V - 20  
 Shipping Weight: 3 lbs.





# LED Replacement Bulbs



- Replacement LED in clamshell with information and sell sheet
- Replacements for popular G4, Bayonet, Wedge and Festoon base types
- Available colors: Warm White, Cool White, BLUE, RED, White/BLUE and White/RED
- More than 60% more efficient than incandescent bulbs (very low amp draw)
- Lower temperature than incandescent bulbs



## You Have

## You Need

 20 W Halogen	<b>MR16 LED</b> 41008P Warm White 41009P Cool White Lumen: 290 WW Lumen: 320 CW	Volts: 12/24 VDC and 12 VAC Amps: 0.42 @ 12 V 0.21 @ 24 V Watts: 5 Beam Angle: 120° Dimmable: Yes	 2" 1-1/2"
 GU10 LED	41114P Warm White 41115P Cool White Lumen: 290 WW Lumen: 320 CW	Volts: 120VAC Amps: 0.1 Watts: 5 Beam Angle: 120° Dimmable: Yes	 2" 2-3/16"


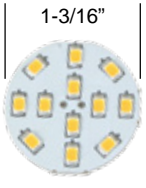
## You Have


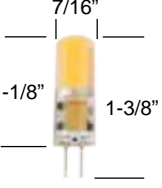
## You Need

 20 W Halogen	<b>G4 Wafer Side-Pin DUAL Color</b> Volts: 12/24 Lumen: 150 WW, 180 CW Amps: 0.14 @ 12 V (White) Watts: 1.7 White, 0.5 Color Dimmable: Yes 41050P Warm White / Blue 41051P Warm White / Red 41052P Cool White / Blue 41053P Cool / Red	 1-3/4"
---	---	---



 10 W Halogen	<b>G4 Wafer Back-Pin</b> Volts: 12/24 Lumen: 120 WW, 140 CW Amps: 0.12 @ 12 V, Watts: 1.5 Beam Angle: 120° Dimmable: Yes 41000P Warm White 41001P Cool White	 7/8"
---	---	---

 20 W Halogen	<b>G4 Tower</b> Volts: 12/24 Lumen: 220 WW, 260 CW Amps: 0.21 @ 12 V Watts: 2.5 Beam Angle: 270° Dimmable: Yes 41070P Warm White 41071P Cool White	 7/8" 1-3/8" 2-1/8"
---	--	---


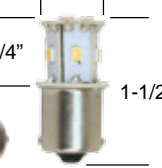
 20 W Halogen	<b>G4 Wafer Back-Pin</b> Volts: 12/24 Lumen: 170 WW, 190 CW Amps: 0.17 @ 12 V, Watts: 2.0 Beam Angle: 120° Dimmable: Yes 41010P Warm White 41011P Cool White	 1-3/16"
--	---	---

 20 W Halogen	<b>G4 Halogen Look-Alike</b> Volts: 12/24 Lumen: 180 WW, 210 CW Amps: 0.21 @ 12 V Watts: 1.5 Beam Angle: 270° Dimmable: No 41072P Warm White 41073P Cool White 41038P Blue	 7/16" 1-1/8" 1-3/8"
--	---	---



 10 W Halogen	<b>G4 Wafer Side-Pin</b> Volts: 12/24 Lumen: 120 WW, 140 CW Amps: 0.12 @ 12 V Watts: 1.5 White, 1.0 Color 41020P Warm White 41021P Cool White 41022P Blue 41023P Red	 7/8" 7/8" WW / CW Blue / Red Dimmable: Yes
---	--	---

 53 or 57	<b>Mini-Bayonet, Mini-Tower Parallel Pins - Single Contact</b> Volts: 12/24 V Base: BA9s Lumen: 100 Amps: 0.12 @ 12 V Watts: 1.5 Dimmable: No 41075P Warm White	 7/16" 11/16" 1-1/4"
---	--	--

 20 W Halogen	<b>G4 Wafer Side-Pin</b> Volts: 12/24 Lumen: 170 WW, 190 CW Amps: 0.17 @ 12 V Watts: 2.0 41030P Warm White 41031P Cool White 41032P Blue 41033P Red	 1-3/16" 1-3/16" WW / CW Blue / Red Dimmable: Yes
---	---	---

 10 W Halogen	<b>Bayonet Mini-Tower</b> Volts: 12/24 V Base: BA15s Lumen: 170 Amps: 0.16 @ 12V Watts: 1.9 Beam Angle: 270° Dimmable: No 41034P Warm White	 5/8" 3/4" 1-1/2"
---	---	---

 20 W Halogen	<b>G4 Wafer Side-Pin</b> Volts: 12/24 Lumen: 270 WW, 310 CW Amps: 0.25 @ 12 V Watts: 3.0 Beam Angle: 120° Dimmable: Yes 41040P Warm White 41041P Cool White	 1-3/8"
---	---	---

 1142 or 1176	<b>Bayonet Tower Parallel Pins - Dual Contacts</b> Volts: 12/24 V Base: BA15d Lumen: 190 WW, 220 CW Amps: 0.21 @ 12 V Watts: 3.0 Dimmable: No 41080P Warm White 41081P Cool White	 5/8" 1-1/16" 1-13/16"
---	---	--

# LED Replacement Bulbs

## You Have



1157

**Bayonet Tower**  
**Offset Pins - Dual Contacts**  
 Volts: 12/24 V  
 Base: BAY15d  
 Lumen: 190 WW, 220 CW  
 Amps: 0.21 @ 12 V  
 Watts: 3.0  
 Dimmable: No  
**41082P** Warm White  
**41083P** Cool White

## You Need



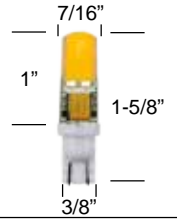
## You Have



168, 194, 906

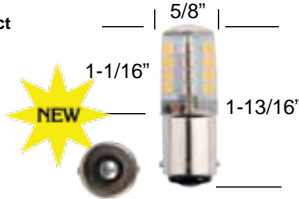
**Wedge Base**  
 Volts: 12/24 V  
 Base: T10 Wedge  
 Lumen: 180  
 Amps: 0.13 @ 12 V  
 Watts: 1.5  
 Dimmable: No  
**41097P** Warm White  
**41039P** Blue

## You Need



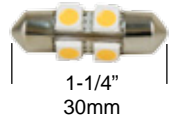
1141 or 1156

**Bayonet Compact-Tower**  
**Parallel Pins - Single Contact**  
 Volts: 12/24 V  
 Base: BA15s  
 Lumen: 190 WW, 220 CW  
 Amps: 0.21 @ 12 V  
 Watts: 3.0  
 Dimmable: No  
**41084P** Warm White  
**41085P** Cool White



5W Halogen

**Festoon 360°**  
 Base: 30mm Festoon  
 Lumen: 115  
 Volts: **12V ONLY**  
 Amps: 0.1  
 Watts: 1.2  
 Beam Angle: 360°  
 Dimmable: No  
**41035P** Warm White



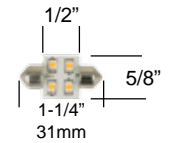
68 or 90

**Bayonet Base Wafer**  
**Parallel Pins - Dual Contacts**  
 Volts: 12/24 V  
 Base: BA15d  
 Lumen: 55 WW, 65 CW  
 Amps: 0.06 @ 12 V  
 Watts: 0.7  
 Dimmable: No  
**41086P** Warm White  
**41087P** Cool White



71, 78202

**Festoon Wafer**  
 Volts: 12/24 V  
 Base: 31mm Festoon  
 Lumen: 45 WW, 65 CW  
 Amps: 0.06 @ 12 V  
 Watts: 0.7  
 Dimmable: No  
**41100P** Warm White  
**41101P** Cool White

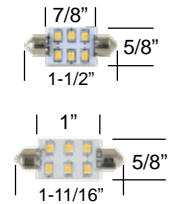


**Bayonet Base Wafer**  
**Offset Pins - Dual Contacts**  
 Volts: 12/24 V  
 Base: BAY15d  
 Lumen: 55 WW, 65 CW  
 Amps: 0.06 @ 12 V  
 Watts: 0.7  
 Dimmable: No  
**41088P** Warm White  
**41089P** Cool White



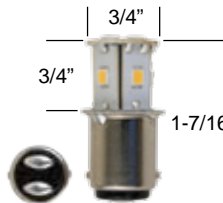
78203, 70, 211

**Festoon Wafer 37/42mm**  
 Volts: 12/24 V  
 Base: 37mm and 42mm Festoon  
 Lumen: 75 WW, 90 CW  
 Amps: 0.10 @ 12 V, Watts: 1.2  
 Dimmable: No  
**41102P** 37mm Warm White  
**41103P** 37mm Cool White  
**41104P** 42mm Warm White  
**41105P** 42mm Cool White



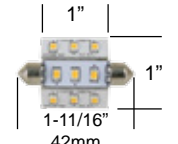
68 or 90

**Bayonet Base Mini-Tower**  
 Volts: 12/24 V  
 Base: BA15d  
 Lumen: 170  
 Amps: 0.16 @ 12 V  
 Watts: 1.9  
 Beam Angle: 270°  
 Dimmable: No  
**41090P** Warm White



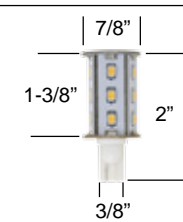
211-2, 212-2, 561, 562, 70-0

**Festoon Wafer**  
 Volts: 12/24 V  
 Base: 42mm Festoon  
 Lumen: 140 WW, 160 CW  
 Amps: 0.17 @ 12 V  
 Watts: 2.0  
 Dimmable: No  
**41106P** Warm White  
**41107P** Cool White

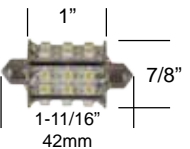


906, 912, 921

**Wedge Base Tower**  
 Volts: 12/24 V  
 Base: T10 Wedge  
 Lumen: 220  
 Amps: 0.21 @ 12 V  
 Watts: 2.5  
 Beam Angle: 270°  
 Dimmable: Yes  
**41092P** Warm White



**360° Nav. Festoon**  
 Volts: 12/24 V  
 Base: 42mm Festoon  
 Lumen: 175 WW, 210 CW  
 Amps: 0.21 @ 12 V  
 Watts: 2.5  
 Dimmable: Yes  
**41110P** Warm White  
**41111P** Cool White

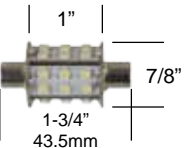


70, 168, 194

**Wedge Base Mini-Tower**  
 Volts: 12/24 V  
 Base: T10 Wedge  
 Lumen: 75  
 Amps: 0.06  
 Watts: 0.8  
 Dimmable: No  
**41095P** Warm White




**360° Nav. Barrel**  
 Volts: 12/24 V  
 Base: 43mm Barrel  
 Lumen: 175 WW, 210 CW  
 Amps: 0.21 @ 12 V  
 Watts: 2.5  
 Dimmable: Yes  
**41112P** Warm White  
**41113P** Cool White



# LED Replacement Bulbs


**You Have**

**You Need**




**A15 Style Bulb**  
**Volts:** 12/24 V  
**Base:** E27  
**Lumen:** 270  
**Amps:** 0.25 @ 12V  
**Watts:** 3.0  
**Beam Angle:** 150°  
**Dimmable:** No  
**41036P** Warm White

**NEW**




1-7/8"  
3"



**A19 Style Bulb**  
**Volts:** 12/24 V  
**Base:** E27  
**Lumen:** 450  
**Amps:** 0.46 @ 12V  
**Watts:** 5.5  
**Beam Angle:** 120°  
**Dimmable:** No  
**41037P** Warm White

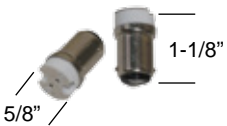
**NEW**



2-1/4"  
4"


**G4 Base Adapters**

**BA15d to G4**  
 Swivels up to 120°  
**41120P**




5/8"  
1-1/8"

**BA15s to G4**  
 Swivels up to 120°  
**41121P**



5/8"  
1-1/8"

**E27 to G4**  
 Standard Household Edison Socket  
**41122P**



1-5/8"  
1-1/8"  
5/8"

## Retail LED Replacement Bulb/Strip Displays

**#41140** Small Display Bulbs/Strips

**#41144** Small Display Bulbs Only

Overall Dimensions: 30"H x 11"W x 10"D



41140 Qty.	41144 Qty.	SKU	Description
	1	41000P	G4 Back-Pin Wafer 9 LEDs WW
1	1	41010P	G4 Back-Pin Wafer 12 LEDs WW
1	1	41020P	G4 Side-Pin Wafer 9 LEDs WW
1	1	41030P	G4 Side-Pin Wafer 12 LEDs WW
1	1	41032P	G4 Side-Pin Wafer 10 LEDs BLUE
1		41033P	G4 Side-Pin Wafer 10 LEDs RED
1	1	41040P	G4 Side-Pin Wafer 21 LEDs WW
	1	41052P	G4 Side-Pin Wafer 12/3 LEDs COOL WHITE/BLUE
1	1	41070P	G4 Bottom-Pin Compact Tower 18 LEDs WW
1	1	41072P	G4 Bottom-Pin LED WW
	1	41075P	BA9s Mini Tower 5 LEDs WW
	1	41080P	BA15d Tower 18 LEDs WW
	1	41082P	BAY15d Tower 18 LEDs WW
	1	41084P	BA15s Tower 18 LEDs WW
	1	41086P	BA15d Wafer 4 LEDs WW
	1	41090P	BA15d Mini Tower 8 LEDs WW
	1	41095P	T10 Wedge Mini Tower 5 LEDs WW
1	1	41097P	T10 Wedge LED Optic Lens WW
	1	41100P	31mm Festoon 4 LEDs WW
	1	41102P	37mm Festoon 6 LEDs WW
	1	41104P	42mm Festoon 6 LEDs WW
1	1	41106P	42mm Festoon 9 LEDs WW
1	1	41120P	Adapter: BA15d to G4
1	1	41121P	Adapter: BA15s to G4
	1	41122P	Adapter: E27 to G4
1		41346P	8" Scan-Strip WHITE
1		41347P	8" Scan-Strip BLUE
1		41514P	21" DUAL Color COOL WHITE/BLUE
1		41515P	21" DUAL Color COOL WHITE/RED



## Retail LED Replacement Bulb/Strip Displays

- #41141** Large Display Bulbs/Strips
- #41142** Full Large Display Bulbs/Strips
- #41145** Large Display Bulbs Only
- #41146** Full Large Display Bulbs Only

Overall Dimensions: 32"H x 14"W x 10"D

41141	41142	41145	41146	SKU	Description
2	4	4	8	41000P	G4 Back-Pin Wafer 9 LEDs WW
2	2	4	6	41008P	MR16 5 Watt LEDs WW
2	4	4	8	41010P	G4 Back-Pin Wafer 12 LEDs WW
2	5	4	10	41020P	G4 Side-Pin Wafer 9 LEDs WW
4	10	4	10	41030P	G4 Side-Pin Wafer 12 LEDs WW
2	5	2	5	41032P	G4 Side-Pin Wafer 10 LEDs BLUE
2	5	2	5	41033P	G4 Side-Pin Wafer 10 LEDs RED
4	10	4	10	41040P	G4 Side-Pin Wafer 21 LEDs WW
2	5	2	5	41052P	G4 Side-Pin Wafer 12/3 LEDs COOL WHITE/BLUE
2	3	2	4	41070P	G4 Bottom-Pin Compact Tower 18 LEDs WW
2	5	4	10	41072P	G4 Bottom-Pin LED WW
2	5	2	5	41075P	BA9s Mini Tower 5 LEDs WW
2	3	2	4	41080P	BA15d Tower 18 LEDs WW
2	3	2	4	41082P	BAY15d Tower 18 LEDs WW
2	3	2	4	41084P	BA15s Tower 18 LEDs WW
		2	5	41086P	BA15d Wafer 4 LEDs WW
		2	5	41088P	BAY15d Wafer 4 LEDs WW
2	5	4	10	41090P	BA15d Mini Tower 8 LEDs WW
2	3	2	4	41092P	T10 Wedge Compact Tower 18 LEDs WW
2	5	2	5	41095P	T10 Wedge Tower 5 LEDs WW
2	5	2	5	41097P	T10 Wedge LED Optic Lens WW
		4	10	41100P	31mm Festoon 4 LEDs WW
		2	5	41102P	37mm Festoon 6 LEDs WW
		2	5	41104P	42mm Festoon 6 LEDs WW
2	5	4	10	41106P	42mm Festoon 9 LEDs WW
4	10	4	10	41120P	Adapter: BA15d to G4
2	5	2	5	41121P	Adapter: BA15s to G4
2	3	2	4	41122P	Adapter: E27 to G4
2	4			41346P	8" Scan-Strip WHITE
2	4			41347P	8" Scan-Strip BLUE
2	4			41350P	16" Scan-Strip WHITE
2	4			41351P	16" Scan-Strip BLUE



**#13001**  
23" x 17" Padded counter mat displaying the LED light bulb replacement program. Both original incandescent and replacement LED bulbs are displayed in actual size.

Lighting

## PLUG AND PLAY BATTERY CHARGER



12V-60A  
24V-30A



- New robust and compact casing
- 3 Completely isolated battery outputs
- Easy wiring and connections thanks to the Winsta (Wago) and Phoenix contact connectors
- Digital management with up to date microcontroller
- 4 charging programs including one for lithium-ion-iron-phosphate with integrated BMS
- Full power at temperatures up to 120° F
- Automatic weekly equalisation for all charging programs
- Automatic 115/230V switchover (12V-25A, 12V-40A, 12V-60A & 24V-20A only)
- Night mode: silent - without fan (12V-25A, 12V-40A & 24V-20A only)
- Touchview Controller connection (12V-60A only)
- Conformal coating of PCB to prolong the life of the battery charger





SKU#	99001	99011	99020	99030	99050	99040	99041
	12V					24V	
	10A	15A	25A	40A	60A	20A	30A
<b>Input</b>							
Input Voltage	115V (+/-15%) ONLY		115V/230V (+/-15%) Automatic Switchover				
Frequency	50Hz/60Hz (+/-10%)						
Cos	0.6			0.9			
Efficiency	80%						
Max. Current 115V/230V	2.6A	3.8A	4A/2A	7A/3.5A	10A/5A	7A/3.5A	10A/5A
Fuse	T2A 250V	T3,15A 250V	T6A 250V	T10A 250V	T16A 250V	T10A 250V	T16A 250V
<b>Output</b>							
Number of outputs	3 isolated outputs						
Number of charging curves	4 programs, position selected by dip switch						
Charging curve	IUUo + weekly automatic equalization				IUUo	IUUo + weekly automatic equalization	IUUo
Weekly equalization	Automatic				N/A	Automatic	N/A
Voltage share	+/-2%						
Ripple	< 1% pp (BW < 20MHz)						
Fuse (automotive mini)	F15A 32V	F20A 32V	2 x F15A 32V	2 x F25A 32V	3 x F25A 32V	2 x F15A 32V	3 x F15A 32V
<b>Protection</b>							
	In case of output overload, Excessive internal temperature Charging voltage too high, Reverse battery polarity (fuse)						
<b>General</b>							
Display	Tricolor LED						
Night/Silent mode	By button				N/A	By button	N/A
Operating temperature	14° F to 122° F						
Storage temperature	- 4° to 158° F						
Humidity	10% to 90% (without condensation)						
Ventilation	Natural		Forced fan cooling				
Safety	EN 60335-2-29 (2002)						
Housing	Powder coated aluminum						
Mounting	2 x #10 Screws				4 x #10 Screws	2 x #10 Screws	4 x #10 Screws
Dimensions	4-3/4" W x 9-3/8" H x 3-3/4" D		4-3/4" W x 13-7/8" H x 3-3/4" D		10-3/4" W x 9-1/2" H x 4-1/4" D	4-3/4" W x 13-7/8" H x 3-3/4" D	10-3/4" W x 9-1/2" H x 4-1/4" D
Weight	3 lbs.		4-1/4 lbs.		6-1/2 lbs.	4-1/4 lbs.	6-1/2 lbs.
AC Connection	20A 230V, 14 AWG max WINSTA - WAGO 770.813/G11-000						
DC Connection	40A 630V, 10 AWG max PHOENIX CONTACT PC6-16/4-GIF, 16				4 AWG max	10 AWG max	4 AWG max
CAN BUS	No				Yes	No	Yes

Dolphin Chargers

# Dolphin pro



ROBUST AND  
POWERFUL  
MARINE BATTERY  
CHARGER



**#99520**

Touchview Remote  
Touchscreen Panel



**#99047**

Temp sensor for  
Dolphin PRO charger



Pro Chargers



Pro-Touch Chargers  
with integrated Touchview

- Can operate up to 149° F without D rating
- Internal diode isolator without voltage drop
- User friendly design: a solid casing in aluminum, mounting by 4 easily accessible screws
- A front cover allowing easy access to the charge selector and wiring connections (4 solid 5/16" terminals for the battery outputs)
- A cable gland for the input cable and a cable grommet with a waterproof seal
- Integrated Control Panel: LED display indicating the charging curve (boost, absorption, float), as well as anomalies and faults (temperature voltage, fuses...)
- Automatic switchover: equipped with 3 isolated outputs, automatic switchover 115V/230V, 50Hz/60Hz
- 9 charging programs (including 2 winterizing and 1 power supply) depending on battery type, makes this charger suitable for all charging needs
- Optional extras: external Touchview control panel and a battery temperature sensor (included) allowing a charging level adjustment
- Conformal coating of PCB to prolong the life of the battery charger
- Using built-in CAN BUS J1939 interface, the Dolphin Pro can be connected to any monitoring system



Pro Chargers	99507	99501	99502	99503	99505	99504	99509
Pro-Touch Chargers		99510		99511		99512	
	12V		24V				
	70A	90A	40A	60A	80A	100A	150A
<b>Input</b>							
Input Voltage	115V/230V (+/-15%) Automatic Switchover			230V (+/-15%)			
Frequency	50Hz/60Hz (+/-10%)						
Cos	> 0.9 typ						
Efficiency	83%		87%				85%
Max. Current 115V/230V	13A/6A	16A/7A	14A/6A	15A/9A	15A	17A	
Fuse	T20A					2 x T20A	
<b>Output</b>							
Number of outputs	3 isolated outputs						
Number of Charging curves	Open lead acid / Sealed lead acid / Lead calcium / Delphi Batteries / Spiral cell AGM / Winterizing lead acid / Winterizing GEL & AGM / Power Supply / LifeSo4 + BMS						
Charging curve	IUUo						
Voltage share	+/-2%						
Ripple	< 1% (BW < 20MHz)						
Fuse (automotive mini)	4F30A	4F30A	3F25A	3F25A	5F25A	5F25A	200A
<b>Protection</b>							
	Output current limited / Output short circuit / Overload output voltage / Reverse polarity / Over temperature						
<b>General</b>							
Display	LED display or optional multi-color Touchview Controller						Touchview
Operating temperature	14° F to 122° F						
Storage temperature	- 4° to 158° F						
Humidity	10% to 95% (without condensation)						
IP	IP22						
Ventilation	Forced fan adjustable speed cooling						
Safety	EN 60335-1						
Housing	Powder coated aluminum						
Mounting	Wall mounted 4 x #8 Screws					6 x #8 Screws	
Dimensions	13-7/16"W x 14-1/4" H x 5" D					13-7/16" W x 14-1/4" H x 7-1/2" D	14"W x 16" H x 9-1/2" D
Weight	13-1/4 lbs.					25-1/4 lbs.	42 lbs.
AC Connection	3-pin cage terminal 10 AWG max						
DC Terminal	4 x 5/16" Terminal Bolts						
Output Alarm Contact	1A 30V NO					10A	
<b>Optional Connections</b>							
Battery Temperature Sensor	2-pin cage terminal 14 AWG						
External Touchview control panel	RJ45						
CAN BUS	2 Micro-Fit & RJ11						

# Dolphin pro HD+



TOUGH  
ENVIRONMENT  
DNV-GL\* TYPE  
APPROVED



- Dedicated to commercial and offshore market
- Type-approved by Det Norske Veritas (DNL-GL)
- DOLPHIN PRO HD+ will be delivered with its Touchview display as standard, measuring AMP/VOLT of battery charger, showing charging mode and alarms (temperature, fuse, battery)
- The HMI touchscreen control panel is a real innovation in the battery charger environment
- Using built-in CAN BUS J1939 interface, the DOLPHIN PRO HD+ can be connected to any monitoring system
- Built-in alarm relay is included for remote alarm system
- Conformal coating of PCB to prolong the life of the battery charger
- Compatible with MARBLE Automatic NL (approved Oct. 14)

\* Certificate No. E-14112/ File No. 822.20/ Job ID 262.1-018698-1

Type tests in accordance with IEC 60335-1 & IEC 60335-2-29. Low temperature & vibration tests in accordance with Sfc No. 2.4 Class A. Humidity / Damp heat tests in accordance with Sfc No. 2.4 Class B. EMC in accordance to Sfc No. 2.4 Class A

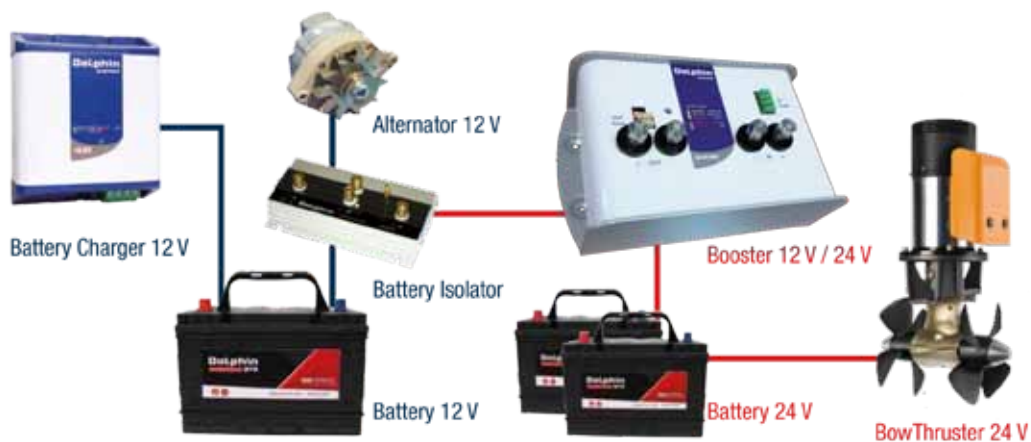
SKU#	99165	99175	99185
	<b>24V</b>		
	40A	60A	100A
<b>Input</b>			
Input Voltage	115V/230V (+/-15%) Automatic Switchover		230V (+/-15%)
Frequency	50Hz/60Hz (+/-10%)		
Cos	0.9 typ		
Efficiency	85%		88%
Max. Current 115V/230V	12A/6A	12A/9A	15A
Fuse	T20A		2 x T20A
<b>Output</b>			
Number of outputs	3 isolated outputs		
Number of Charging curves	9 Programs, Open lead acid / Sealed lead acid / Lead calcium / Delphi Batteries / Spiral cell AGM / Winterizing lead acid / Winterizing GEL & AGM / Power Supply / LifeSo4 + BMS		
Charging curve	IUUo 3 modes		
Voltage share	+/-2%		
Ripple	< 1%		
Fuse (automotive mini)	3F30A		5F30
<b>Protection</b>			
	In case of output overload, Excessive internal temperature, Charging voltage too high, Reverse battery polarity (fuse), Excessive battery temperature, Temperature sensor default, AC over and under voltage		
<b>General</b>			
Display	Touchview control panel		
Operating temperature	14° F to 149° F		
Storage temperature	- 4° to 185° F		
Humidity	10% to 95% (without condensation)		
IP	IP22		
Ventilation	Forced fan adjustable speed cooling		
Safety	EN 60335-29-2		
EMC	Emission EN 55014-1		
Housing	Powder coated aluminum and composite materials (LED)		
Mounting	Wall mounted 4 x #8 Screws		
Dimensions	13-7/16"W x 14-1/4" H x 5" D		13-7/16" W x 14-1/4" H x 7-1/2" D
Weight	13-1/4 lbs.		26-1/2 lbs.
AC Connection	3-point cage terminal 10 AWG max		
DC Terminal	4 x 5/16" Terminal Bolts		
Output Alarm Contact	1A 30V NO		
<b>Optional Connections</b>			
Battery Temperature Sensor	2-pin cage terminal 14 AWG		
CAN BUS	RJ11		

## CHARGE DC BATTERY FROM ANOTHER



- Dolphin Booster is a DC to DC intelligent 30 amp battery charger
- Product range: 12 volt or 24 volt input with 24 volts output
- Typical application: charge an auxiliary battery bank from any 12V or 24V source
- The smart DOLPHIN DC/DC BOOSTER provides 4 stage charging program as well as automatic protection against battery source drainage
- Advance and unique 4 charging programs can be selected based on battery type (lead acid, gel, agm or LiFeSo4)
- Conformal coating of PCB to prolong the life of the battery charger

## DOLPHIN BOOSTER SUBSYSTEM



SKU#	<b>99201</b>	<b>99202</b>
	<b>12V</b>	<b>24V</b>
	30A	
<b>Input</b>		
Input Voltage	13V +/- 3V	26V +/- 6V
Max. Current	70A	35A
Efficiency	85% to 90%	
Fuse	4 x F30A	
<b>Output</b>		
Number of outputs	1 output	
Battery Voltage	24V	
Battery Capacity	50 to 200 Ah	
Output Voltage	26.5V to 30V +/- 1%	
Max. Current	30A +/- 5%	
Number of charging Curves	4 Programs, position selected by dip switch, Lead Acid, AGM, Gel, LiFeS04	
Charging Curve	IUUo	
Ripple	< 1%	
Fuse	2 x F25A	
<b>Protection</b>		
	In case of output overload, Excessive internal temperature, Reverse battery polarity (fuse)	
<b>General</b>		
Display	Tricolor LED	
Operating temperature	14° F to 130° F	
Storage temperature	- 4° to 158° F	
Humidity	10% to 90% (without condensation)	
Ventilation	Forced fan cooling	
Dimensions	9-7/8" W x 6" H x 3-1/8" D	
Weight	4-1/2 lbs.	
Input Connection	5/16" Terminal Bolts	
Battery Connection	5/16" Terminal Bolts	
<b>Optional</b>		
	Can Bus connection with Touchview or Navicolor RJ11 and/or Micro-Fit connection	

## TOUCHVIEW Control Panel



- External touch screen control panel for Dolphin chargers
- Can Bus connection
- Supervise your battery charger and battery banks
- Displays temperature, error messages, charging current, charge curve selected, charging phase (boost, absorption, float), power max delivered



SKU#	<b>99520</b>
	<b>12V / 24V</b>
<b>General Information</b>	
Screen Size	2.4" diagonal
LED Type	a-Si TFT
Color Configuration	RGB vertical stripe
Backlight	White LED
Interface	16-bit interface for i80 system
Conformity	ROHS
Diameter overall	3-5/8"
Waterproof Rating	IP65 (front panel only)
Cutout and depth	2-7/8" Diameter x 1" Deep

Dolphin Chargers

## Batview Battery Monitor



- Read your battery bank like a fuel gauge
- Provides critical information about the status of your battery bank
- Displays voltage, current, consumed amp hours and remaining battery capacity
- Secondary battery bank voltage monitoring
- Auto sensing battery voltage inputs
- Large backlit LCD display
- Quick nut mounting construction
- Programmable alarm relay
- Shunt selection capability enables flexible system integration
- Splash proof front panel
- 500 amp shunt included



SKU#	<b>99031</b>
	<b>12V / 24V</b>
<b>General Information</b>	
Main Battery Functions	Volts, Amps, Amphours, State of charge, Low battery alarm
Auxiliary Battery Functions	Volts
Display	Multi-unction LCD
Supply Voltage Range	9 to 35 VDC (± 0.1V)
Supply Current*	9mA @ 12 VDC 7mA @ 24 VDC
Input Voltage Range Main Battery Auxiliary Battery	0 to 35 VDC (± 0.3%) 2 to 35 VDC (± 0.3%)
Input Current Range**	-999 to +999A (± 0.4%)
Battery Capacity Range	20 to 999Ah
State-of-Charge	± 1%
Operating Temperature	-4 to 122°F
Mounting Hole	2-1/16" to 2-1/8" dia. (52 - 54mm)
Monitor Dimensions	Front Panel Ø 2-1/2" (64mm) Body Ø 2" x 3-1/8" Total Depth
Shunt Dimensions	Footprint 1.77" x 3.43" (45 x 87mm) Base Height 0.67" (17mm) Overall Height 1.38" (35mm)
Waterproof Rating	IP65 (front panel only)
Monitor Weight	0.21 lb (95 g)
*Measurement with backlight and alarm relay turned off. **Depends on selected shunt. With standard 500A / 50mV shunt (350A continuous), the range is limited from -600 to +600A)	

# SCANDVIK ELECTRIC TABLE, CHAIR PEDESTALS AND TV LIFTS

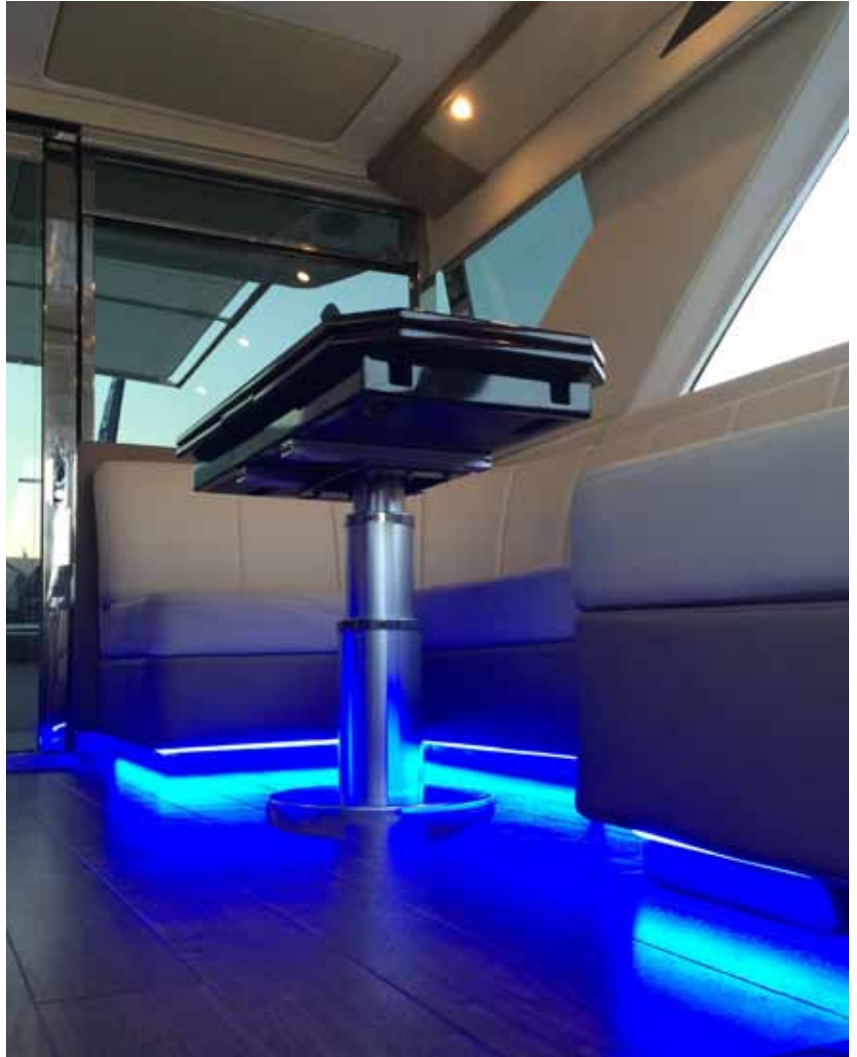


Courtesy of Chris Craft

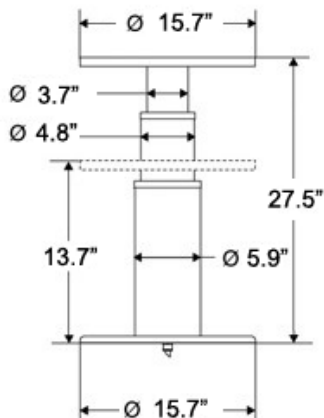
## Heavy-Duty Table Pedestal for Large Tables

Electric table pedestals offer the height of luxury on any boat. These heavy-duty table pedestals are designed for extra stability on smaller boats in rough conditions or on larger boats with oversized tables. Beautifully finished aluminum alloy will protect against the elements for many years. Anyone can raise and lower tables with the push of a button. Perfect as a single pedestal or used as synchronized pairs with larger tables or sun pads. Both top plate and mounting plate measure 15-3/4" in diameter with large 6" diameter base tube. Rated at 220 lbs. capacity for each pedestal.

- #40173** 12V Single Pedestal,    **#40273** 12V Encoded Synchronized Pair  
**#40177** 12V Single Pedestal (PUSH ONLY) with 12-3/4" x 8-7/8" rectangular top  
**#40174** 24V Single Pedestal,    **#40274** 24V Encoded Synchronized Pair



Only the power wire goes through the deck.  
Water drains onto the deck,



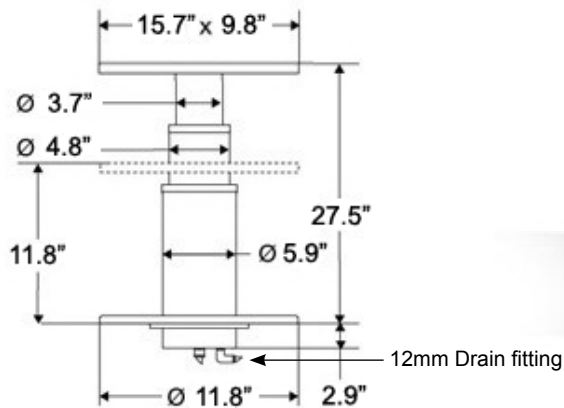


## Heavy-Duty Table Pedestal for Large Tables



Same heavy duty construction with through-the-floor design to allow a lower minimum height with the same 220 lbs. capacity. Suitable for interior or exterior applications. Allow 5" minimum clearance below the deck for the wire and drain.

- #40183 12V Single Pedestal
- #40179 12V Single Pedestal (PUSH ONLY)  
with 12-3/4" x 8-7/8" Top
- #40283 12V Encoded Synchronized Pair
- #40184 24V Single Pedestal
- #40284 24V Encoded Synchronized Pair



MARINE  
IGNITION  
PROTECTED



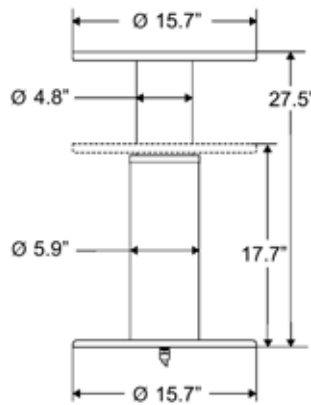
NEW POLISHED FINISH

Pedestals

## Heavy-Duty Table Pedestal for Large Tables

*Single-stage*, deck mount, electric table pedestal allows a lower minimum height when the inner tubes retract inside the larger outer tube. Larger diameter telescoping tubes give greater stability to this base. Suitable for exterior applications. Maximum capacity is 220 lbs. Available in tandem version.

- #40175 12V Single Pedestal
- #40176 24V Single Pedestal
- SPECIAL ORDER
- ENCODED SYNCHRONIZED PAIRS

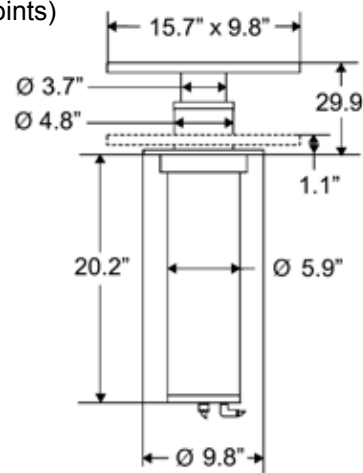


### MINIMUM HEIGHT 1.1 INCHES

*Two-stage*, through-the-deck, electric table pedestal allows a lower minimum height when the inner tubes retract inside the larger outer tube. Larger diameter telescoping tubes give greater stability to this base. Suitable for exterior applications. Maximum capacity is 220 lbs.

- #40169 12V Single Pedestal with 28-3/4" Stroke (Measurements shown in diagram)
- #40168 12V Single Pedestal with rotating top (90° lock points)
- #40200 12V Encoded Synchronized Pair
- #40189 24V Single Pedestal
- #40220 24V Encoded Synchronized Pair

- #40170 12V Single Pedestal with 31-1/2" Stroke
  - #40221 12V Encoded Synchronized Pair
  - #40190 24V Single Pedestal
  - #40222 24V Encoded Synchronized Pair
- Max. height dimension is 2-3/4" higher below deck dimension is 1-3/8" more below deck than #40169.

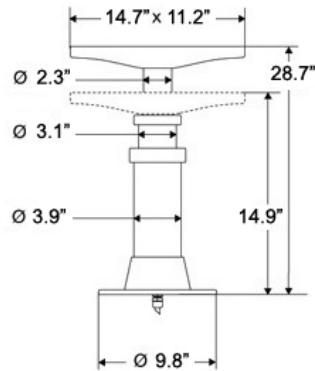


## Electric Table Pedestals

Two-stage, deck mount, electric table pedestal. Maximum capacity is 220 lbs.

**#40154** 12V Single Pedestal X- Top

**#40155** 24V Single Pedestal X- Top

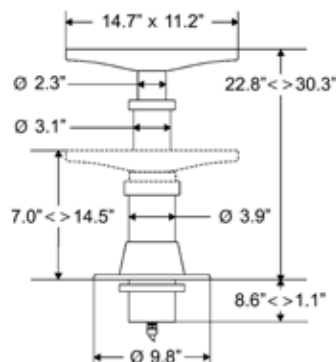


Two-stage telescopic, through the deck, electric table pedestal. This version has a lower main tube which can be slid down through the base to obtain a lower minimum and maximum height. Total stroke is 15-3/4". Suitable for exterior applications. Maximum capacity is 220 lbs.

**#40198** 12V Single Pedestal X-Top  
SPECIAL ORDER 24V VERSION



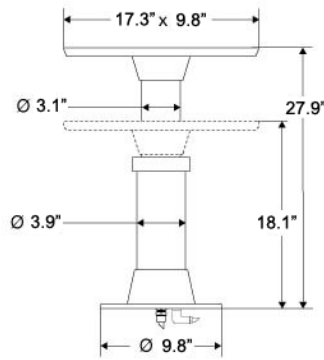
Use a 4mm Allen Wrench



# Electric Table Pedestals

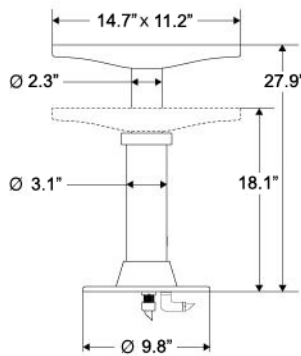
Single-stage, deck mount, electric table pedestal. Maximum capacity is 220 lbs.

- #40150 12V Single Pedestal Rectangular Top
- #40160 24V Single Pedestal Rectangular Top



Single-stage, deck mount, electric table pedestal. Tops are available with either rectangular or X-top versions. Maximum capacity is 220 lbs.

- #40151 12V Single Pedestal X-Top

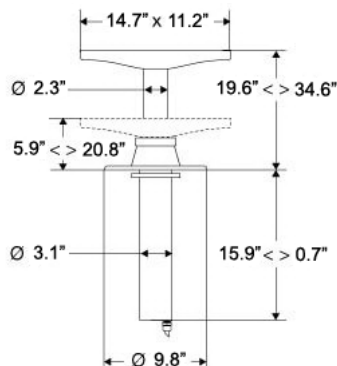


Single-stage, through-the-deck, electric table pedestal. Suitable for indoor or outdoor applications. Maximum capacity is 220 lbs.

- #40153 12V Single Pedestal X-Top



Use a 4mm Allen Wrench



## Electric Table Pedestals

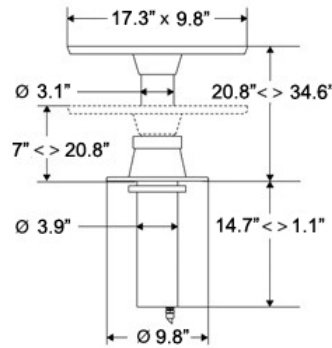
*Single-stage*, through-the-deck, electric table pedestal. Total stroke is 13-3/4". Suitable for exterior applications. Maximum capacity is 220 lbs.

**#40152** 12V-7A Single Pedestal Rectangular Top

**#40157** 24V Single Pedestal Rectangular Top



Use a 4mm Allen Wrench



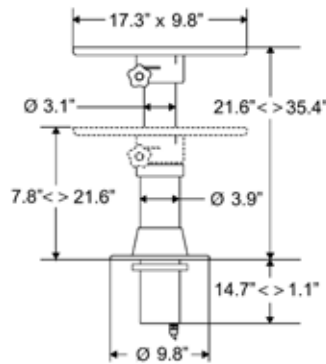
*Single-stage*, through-the-deck, electric table pedestal has an adjustable, through the deck, periscope base which allows for lower minimum height. Table will swivel and lock with under-top handle. Maximum under deck area needed is 14.34" Maximum capacity is 220 lbs.

**#40166** 12V Single Pedestal

**#40171** 24V Single Pedestal



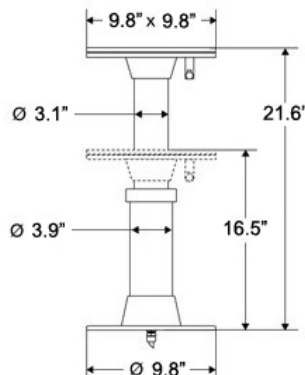
Use a 4mm Allen Wrench



## Electric Chair Pedestals

*Single-stage*, surface mount, electric chair pedestal. 5" stroke, base will swivel 360° with locking position every 90°. Suitable for interior or exterior use. Maximum capacity is 550 lbs.

**#40156** 12V Chair Pedestal



## Linear Actuators

We produce and supply a wide range of **electrically powered struts** to suit **many different applications** in addition to lifting engine covers and hatches. Our struts are being used to **lift** tables and steer consoles, to **slide** open roofs, as well as to **hide** barbecues and TV's after use. You can see them **converting** beds at the touch of a switch and even sliding security bars into position behind exposed windows! No limit to the imagination... Different solutions are available to get the most appropriate device for the specific job, with **thrusts from 120 to 2,200 lbs, strokes from 2" to 9-1/2 ft., speed from 0.1 to 1.4 inches/sec** on either **12 or 24 Volt DC** supply. Both "**push only**" and "**push/pull**" versions are available, with or without encoder. But what all our struts have in common is having been designed and built to work in the **marine environment with an IP65 rating**: their structure of anodized light alloy protects the motor and the mechanical components from spray and salt. Replacement parts and repair service available at Scandvik!

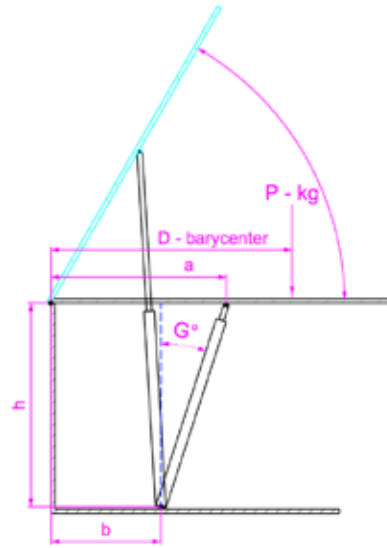
To select the appropriate strut suitable for your needs, you have to consider several factors. For instance, if the purpose is to raise a hatch that is the only access to the compartment, we would advise using the "push-only" versions as these permit manual opening in the event of power breakdown. Otherwise an emergency access will have to be provided in order to, at least, unbolt the strut. Other factors to be considered are the point and the angle of thrust that significantly affect the effort required. Moreover, if the lift reaches the tipping point, you must use a "push/pull" version that allows for the opening and closing by the strut. **For more details** please request our instructions. The installation of a pair of struts to work together without encoder is possible only if both the struts required the same effort, otherwise it is necessary to choose the synchronized version with encoder. The pairs must be ordered as such: it is not possible to couple struts supplied as singles.



## Calculation of the thrust needed at the point of leverage.

The thrust required to open a hatch by means of an actuator depends on the point of the leverage and the weight of the hatch itself. As an example, we provide the data for a rectangular hatch of uniform construction, which is located in a horizontal position when closed. The weight is 220 lbs. Hinged on one side that is 3'-4" from the opposite side. The thrust required to lift varies as follows depending on the distance of the point of thrust of the actuator from the hinges "a" and the angle "G°" that it forms with the perpendicular:

G°	40" (a)	20" (a)	9" (a)	5" (a)
0°	110 lbs	220 lbs	441 lbs	882 lbs
30°	126 lbs	254 lbs	507 lbs	1,014 lbs
45°	156 lbs	313 lbs	626 lbs	1,252 lbs
60°	220 lbs	441 lbs	882 lbs	1,764 lbs



**It is evident that the thrust varies greatly according to the chosen assembly,** and that the most favorable conditions are obtained by applying the thrust point as far away as possible from the hinges and with the actuator in a position perpendicular to the closed hatch. For those who wish to proceed to the calculation, the formula for obtaining the necessary thrust for lifting is the following:

$$F = (P * D) / b$$

where **F** is the force required for lifting in pounds, **P** is the weight in pounds of the hatch including everything integral with it, and **D** is the distance of the center of gravity of the hatch from the hinges and **b** is the distance of the point of thrust from the hinges. In most common cases, when the hatch has a rectangular shape and constant density, **D** is simply equal to half the distance between hinges and opposite end of the hatch. In more complicated cases, such as when objects are mounted on the hatch such as seats or more, you can find **D** empirically by resting the hatch on a shaft parallel to the axis of rotation of the hinges (after detaching the hinges) to identify the center of gravity.

The formula for the thrust required of the actuator is a function with respect to the vertical.

$$F / \cos G^\circ$$

Where "G°" is the angle of the actuator relative to the vertical when it is closed. In practice the force **F** obtained by the first formula to be multiplied by the following values:

$$15^\circ = 1.035 \quad 30^\circ = 1.15 \quad 45^\circ = 1.42 \quad 60^\circ = 2.0 \quad 75^\circ = 3.86$$

When calculating the necessary thrust, take into account the friction caused by the hinges, increasing the value obtained by 20%.

In the case where superstructures, such as seats, console, etc., are mounted on the hatch, presents another problem. When the opening angle exceeds the point where the perpendicular to the center of gravity falls outside the hatch, this will increase the opening without need for further thrust. You will then have to use a push-pull actuator to "pull" the door being closed.

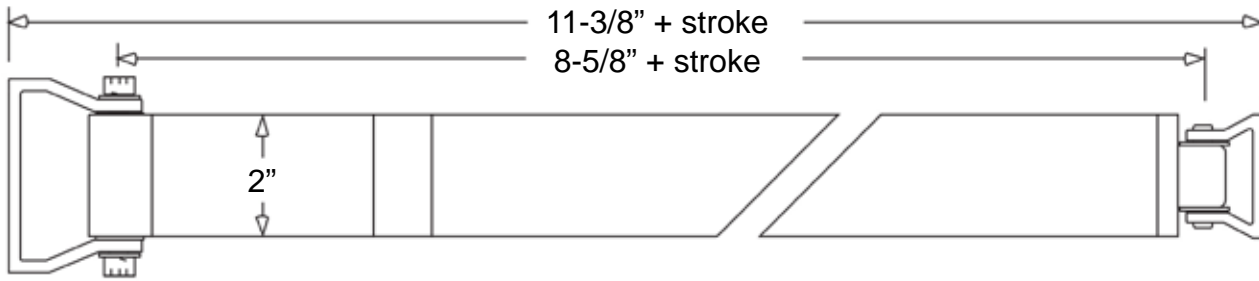
**The possible use of two parallel actuators (Coupled) to lift hatches or doors.**

Large, heavy hatches or doors can be lifted on both sides by two paired actuators. It is important ensure that the actuators have the same speed during operation. The speed depends on the load, so if the two actuators are carrying a different load, the speed will always be different. Encoded controlled actuators are available to synchronize the motion of two actuators, regardless of the load differential. Not all models can be controlled synchronously. Only the customer can determine which solution is applicable.

# Linear Actuators

## THRUST 220 LBS.

Inch Dimension + stroke = length of strut closed + stroke = length of strut extended



#40121	Push-Pull	with magnetic end of stroke	Stroke 19"	12 Volt
#40124	Push-Pull	Encoded	Stroke 19"	12 Volt
#40123	Push-Pull	with magnetic end of stroke	Stroke 26"	12 Volt
#40125	Push-Pull	with magnetic end of stroke	Stroke 36"	12 Volt
#40126	Push-Pull	Encoded	Stroke 36"	12 Volt

Cylinder, piston and brackets in anodized Aluminum.

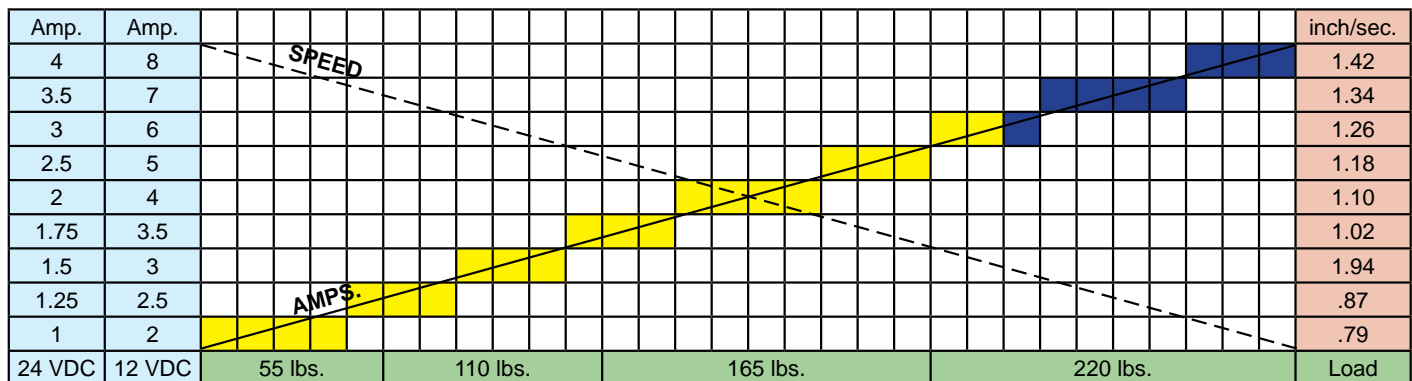
**HIGH SPEED VERSIONS:** Ideal for handling structures with long stroke due to their high travel speed, not suitable for lifting. It is essential that long struts are properly supported if positioned horizontally to prevent flex.

**Magnetic End of Stroke:** Adjustable magnetic pick-up sensors can be placed at the appropriate locations along the cylinder to stop the movement of the piston in both directions.

**Encoder:** Struts for installation in pairs, equipped with encoded electronics and control unit to obtain a perfect synchronization, even when subject to different loads. It is possible to store up to four different and independent end positions, pre-set by the user at the time of installation, selectable with just a short press of a single button. Can also be used individually when such a precise movement is required, defining a different points of start and end of stroke. Comes with backlit push button control and programming control box.

- Push-Pull Versions allows the same power in both directions (in and out).
- Push-Only Versions allows to lift the struts by hand in case of lack of power or breakdown.
- Available as a pair.
- Supplied with an electronic control box for each strut to control and protect against overloads.
- It's necessary to add a 3 positions switch with automatic return to the OFF state.
- Available for 12 or 24VDC power.
- Available with strokes ranging between 4" and 114".
- IP65 Splash Proof

### 220 LB. CAPACITY



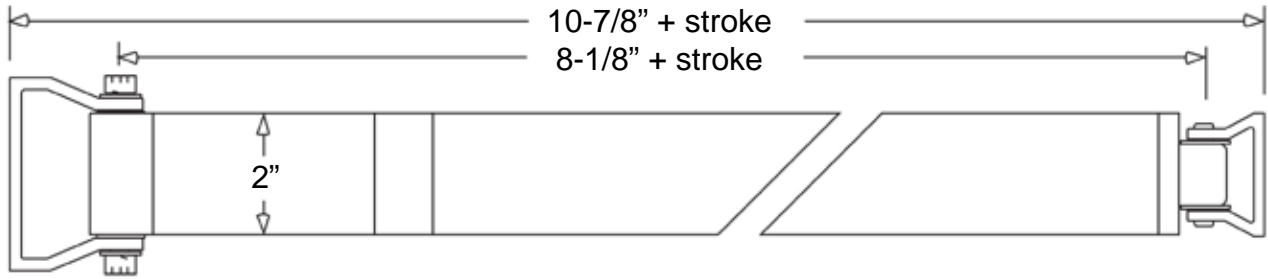
Max. 4 cycles/10 minutes (Yellow) | Max. 2 cycles/10 minutes (Blue)



# Linear Actuators

## THRUST 330 LBS.

Inch Dimension + stroke = length of strut closed + stroke = length of strut extended

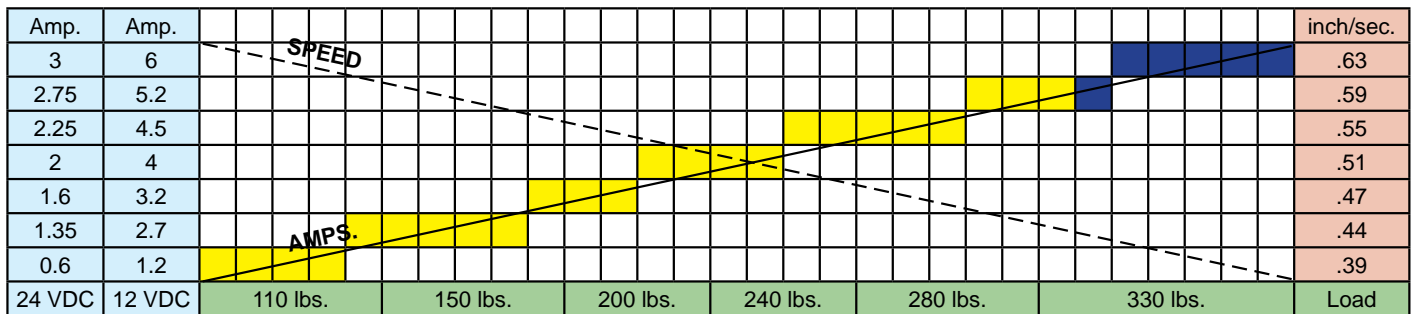


#40104	Push-Pull	Stroke 4.5"	12 Volt
#40105	Push-Pull	Stroke 12"	12 Volt
#40112	Push-Pull	Stroke 12"	24 Volt
#40111	Push-Pull	Stroke 16"	12 Volt
#40100	Push Only	Stroke 19"	12 Volt
#40101	Push Only	Stroke 23"	12 Volt

### Cylinder, piston and brackets in anodized Aluminum.

- Push-Pull Versions allows the same power in both directions (in and out).
- Push-Only Versions allows to lift the struts by hand in case of lack of power or breakdown.
- Available as a pair.
- Supplied with an electronic control box for each strut to control and protect against overloads.
- It's necessary to add a 3 positions switch with automatic return to the OFF state.
- Available for 12 or 24VDC power.
- Available with strokes ranging between 4" and 114".
- IP65 Splash Proof

### 330 LB. CAPACITY

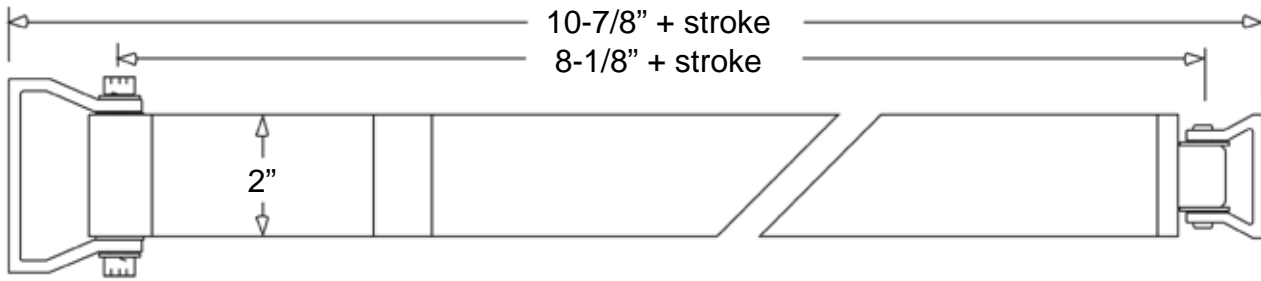


Max. 4 cycles/10 minutes
  Max. 2 cycles/10 minutes

# Linear Actuators

## THRUST 440 LBS.

Inch Dimension + stroke = length of strut closed + stroke = length of strut extended

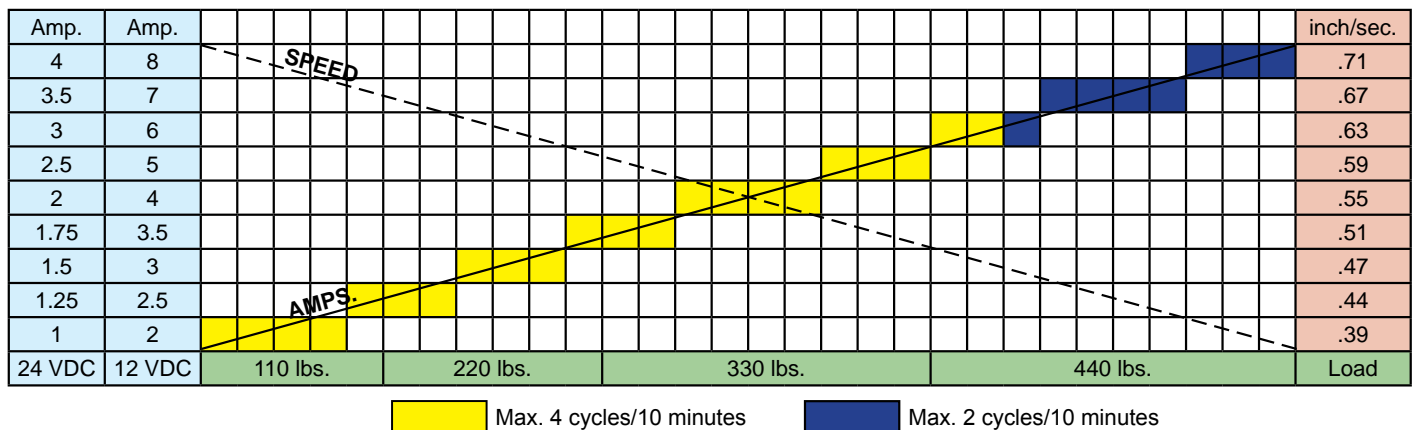


#40102		Push Only	Stroke 19"	12 Volt
#40106		Push Only	Stroke 19"	24 Volt
#40107		Push-Pull	Stroke 19"	12 Volt
#40103		Push Only	Stroke 23"	12 Volt
#40113		Push-Pull	Stroke 12"	12 Volt
#40117	Pair	Push Only	Stroke 23"	12 Volt
#40110		Push Only	Stroke 23"	24 Volt
#40115		Push-Pull	Stroke 23"	12 Volt
#40118	Pair	Push-Pull	Stroke 23"	12 Volt

### Cylinder, piston and brackets in anodized Aluminum.

- Push-Pull Versions allows the same power in both directions (in and out).
- Push-Only Versions allows to lift the struts by hand in case of lack of power or breakdown.
- Available as a pair.
- Supplied with an electronic control box for each strut to control and protect against overloads.
- It's necessary to add a 3 positions switch with automatic return to the OFF state.
- Available for 12 or 24VDC power.
- Available with strokes ranging between 4" and 114".
- IP65 Splash Proof

### 440 LB. CAPACITY



# Electric TV Lift

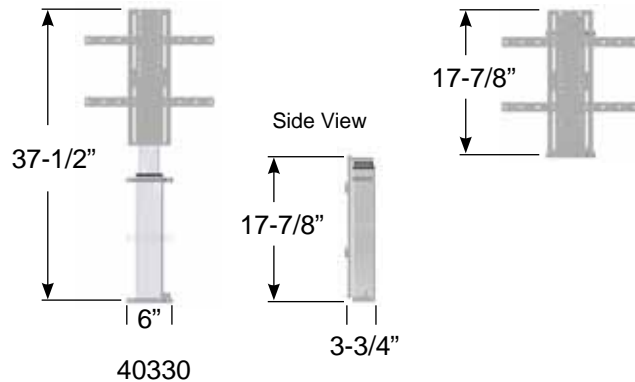


Engineered for the marine environment, these lifts are built with light anodized aluminum alloy. Standard units can accept up to 60" TV screens. On request we can produce units for larger TV sizes.

- Bulkhead or Floor mount
- 12V or 24V
- Made with marine grade anodized aluminum and 316 SS 2-stage worm screw
- IP 67 Indoor or outdoor use
- 220 lbs. Lifting capacity
- Encoded system allows one touch operation. Adjustable top and bottom positions. Includes switch.
- Optional remote control
- Custom sizes on request

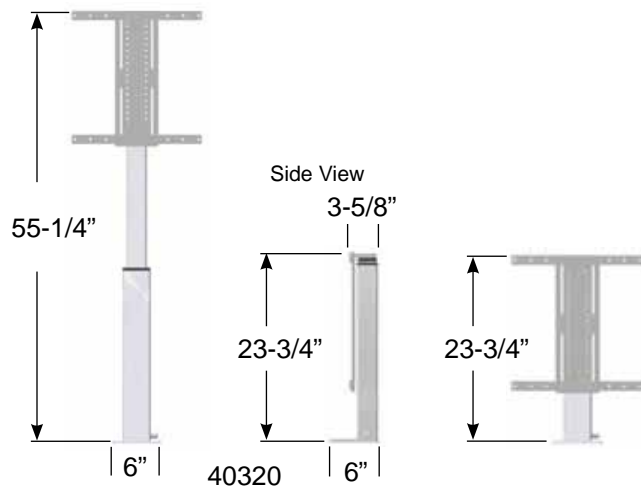
## Bulkhead Mount

- #40330** 12V 19-5/8" Stroke
- #40331** 24V 19-5/8" Stroke
- #40340** 12V 25-1/2" Stroke
- #40341** 24V 25-1/2" Stroke
- #40350** 12V 31-1/2" Stroke
- #40351** 24V 31-1/2" Stroke



## Floor Mount

- #40300** 12V 19-5/8" Stroke
- #40301** 24V 19-5/8" Stroke
- #40310** 12V 25-1/2" Stroke
- #40311** 24V 25-1/2" Stroke
- #40320** 12V 31-1/2" Stroke
- #40321** 24V 31-1/2" Stroke





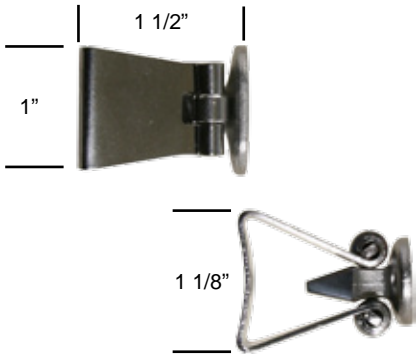
**#40000P**

## ***The Splash Free Solution!***

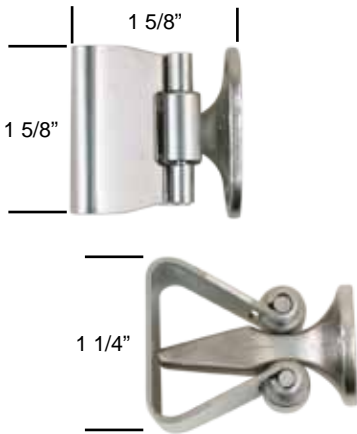
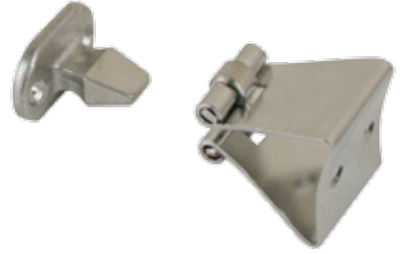


- Stops fuel spill
- Clean Way baffle design catches fuel overflow
- Fuel drains back into tank
- No hull or deck clean up
- No fuel on hands or clothes
- No need for fuel-absorbent pads, rags or cleaner
- Environmentally friendly
- 2 Rubber Nozzle adapters included for low and high speed pumps
- 3 Rubber Deck Fill fittings will fit most threaded fuel fills
- Heavy duty clear composite
- Patent pending
- 3 year warranty

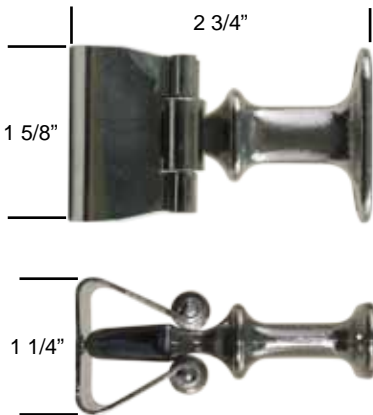
## Door/Hatch Holders



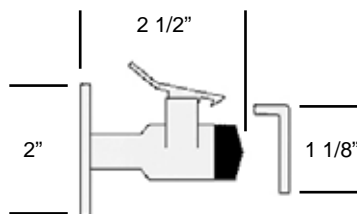
**#10008**  
Small size door holder  
**Material:** Stainless Steel  
**Shipping Weight:** 1 lb.



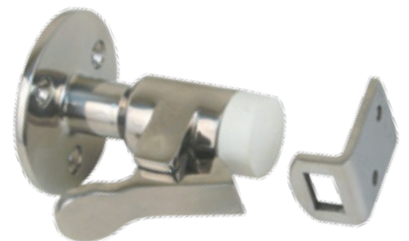
**#10009**  
Large size door holder  
**Material:** Stainless Steel  
**Shipping Weight:** 1 lb.



**#14303**  
Large size door holder with  
extended reach  
**Material:** Chrome plated brass  
**Shipping Weight:** 1 lb.



**#14308**  
Large size door holder with spring latch  
and rubber bumper  
**Material:** Stainless Steel  
**Shipping Weight:** 1 lb.



## Dressing & Sealer

### WARNING

This product can expose you to certain chemicals, which are known to the State of California to cause cancer or birth defects or other reproductive harm. For more information go to

[www.P65Warnings.ca.gov](http://www.P65Warnings.ca.gov).



Coverage is approximately 55-65 ft<sup>2</sup> / lt.

**TEAK WONDER® DRESSING & SEALER** is a safe and durable, non-oil based product which provides a pleasant golden color without darkening the teak or producing that fake colored look. **TEAK WONDER® DRESSING & SEALER** does not make the teak glossy or slippery, does not darken the teak and does not build up an accumulation on the surface.

**#60100:** 1/2 liter can (Case Quantity: 12)

**#60101:** 1 liter can (Case Quantity: 8)

**#60105:** 4 liter can (Case Quantity: 4)

## Cleaner

Coverage is approximately 65-85 ft<sup>2</sup> / lt. (depending on the condition of the wood)



**TEAK WONDER® CLEANER** is a powerful cleanser that thoroughly cleans the teak easily and with very little effort, without the need for sanding.

**#60120:** 4 liter bottle (Case Quantity: 4)

## Combo Pack

Coverage is approximately 85-100 ft<sup>2</sup> / lt. (depending on the condition of the wood)



The **TEAK WONDER® COMBO PACK** is a complete kit for cleaning small areas. The kit contains one bottle of cleaner and one bottle of brightener to perform the complete cleaning cycle. The one liter bottles are equipped with a handy cap/pourer that allows easy use of the product, avoiding waste.

**#60110:** Combo Pack of 1 lt. bottles  
(Case Quantity: 8 Combo Packs)

## Instant Teak Cleaner



To remove grease stains from small areas without need of rinsing thoroughly.

**#60140:** 250 ml. bottle (Case Quantity: 12)

## Brightener

Coverage is approximately 85-100 ft<sup>2</sup> / lt. (depending on the condition of the wood)



**TEAK WONDER® BRIGHTENER** is a lightening process used to eliminate shading from the teak which may still persist even after the application of the **TEAK WONDER® CLEANER**.

**#60125:** 4 liter bottle (Case Quantity: 4)



**#60115:** Combo Pack of 4 lt. bottles  
(Case Quantity: 2 Combo Packs)

All Scandvik's products are unconditionally *guaranteed to the original purchaser against defects in materials or workmanship for a period of one year*, with the following exceptions:

**ABA 316 Hose Clamps**  
Lifetime warranty  
**Dolphin Battery Chargers**  
2 year limited warranty  
**Hot Wave Water Heater**  
5 year limited warranty

Our warranty does not apply to or include any product that has been improperly installed, received improper maintenance or no maintenance at all, being used under conditions exceeding recommended loads or torques as described in Scandvik's catalog or subjected to misuse, negligence, accident or being modified in an unauthorized manner or unauthorized repair, normal wear and tear or electric motor burn-out.

- All measurements in the catalog are **approximate and subject to standard acceptable tolerance variation**.
- *All specifications subject to change, due to our continuous product development.*
- *All products subject to design improvements and change.*
- *All products subject to change without notice.*

THE COMPANY SHALL NOT BE LIABLE FOR CONSEQUENTIAL DAMAGES INCLUDING BUT NOT LIMITED TO; LOSS OF USE OF THE PRODUCT, LOSS OF TIME, INCONVENIENCE, LABOR TO REMOVE OR REINSTALL OR LOSS OF INCOME. THERE ARE NO WARRANTIES WHICH EXTEND BEYOND THE DESCRIPTION ON THE FACE HEREOF. THE FOREGOING WARRANTY IS EXCLUSIVE AND IN LIEU OF ALL OTHER WARRANTIES, WRITTEN OR ORAL, EXPRESSED OR IMPLIED, INCLUDING BUT NOT LIMITED TO ANY WARRANTY OF MERCHANTABILITY OR FITNESS FOR A PARTICULAR PURPOSE.

# Index

Plumbing

Part #	Page
07006	49
07014	25
10000	18
10002	68
10003	33
10007	33
10008	141
10009	141
10012	18
10013	26
10014	69
10015	68
10026	68
10027	68
10029	69
10030	69
10031	69
10050	55
10054	16
10055	13
10056	55
10062	29
10086	16
10089	55
10091	27
10092	28
10169	55
10172	55
10175	28
10180	61
10182	61
10183	61
10184	61
10186	28
10187	28
10188	18
10189	18
10190	17
10191	17
10192	17
10193	17

Hose Clamps

Part #	Page
10194	17
10195	16
10196	16
10197	16
10198	16
10199	17
10201	73
10202	73
10203	73
10204	73
10205	75
10206	73
10207	73
10209	75
10210	76
10211	73
10212	75
10213	75
10216	75
10217	75
10218	75
10219	75
10220	75
10222	76
10223	76
10224	76
10225	76
10226	77
10227	77
10228	77
10229	77
10230	77
10231	77
10232	77
10233	78
10234	78
10235	78
10236	78
10238	77
10239	78
10240	79

Lighting

Part #	Page
10241	74
10242	74
10243	74
10244	74
10245	76
10247	74
10251	64
10252	69
10253	69
10254	64
10258	74
10262	69
10263	69
10264	69
10265	13
10266	74
10268	64
10269	64
10271	67
10273	67
10274	67
10275	13
10276	13
10277	65
10278	65
10279	65
10280	73
10281	73
10283	65
10286	67
10288	66
10289	67
10290	66
10291	67
10292	66
10293	65
10294	65
10295	65
10296	65
10297	65
10298	13

Dolphin Chargers

Part #	Page
10299	13
10300	80
10301	81
10302	81
10303	81
10304	81
10305	81
10306	80
10307	80
10308	80
10309	81
10310	80
10311	80
10312	80
10314	81
10315	80
10316	81
10317	81
10318	81
10320	67
10321	66
10322	67
10323	66
10324	67
10325	66
10326	67
10327	66
10328	66
10331	81
10333	80
10334	67
10335	69
10338	80
10339	67
10340	80
10401	29
10405	21
10406	21
10410	53
10411	29
10422	45

Pedestals

Struts

Teak Wonder



# Index

Part #	Page	Part #	Page	Part #	Page	Part #	Page
10430	66	10651	76	10923	73	12145	8
10431	66	10654	75	10924	73	12146	7
10438	45	10658	78	10948	68	12147	7
10458	45	10663	61	10951	68	12148	7
10466	31	10664	61	10955	68	12149	7
10467	29	10665	57	10956	68	12150	7
10474	57	10669	57	10957	68	12151	69
10475	57	10674	76	10959	68	12152	69
10476	57	10675	76	10960	68	12153	69
10477	57	10676	76	10961	68	12154	69
10479	31	10677	76	10993	75	12156	7
10480	43	10680	79	10996	74	12157	7
10485	51	10730	95	12101	8	12158	7
10487	32	10750	12	12102	69	12159	7
10488	43	10757	73	12103	69	12160	10
10493	69	10760	55	12104	69	12161	7
10494	69	10761	19	12105	69	12163	10
10495	69	10763	19	12106	10	13001	117
10498	13	10765	14	12107	10	13014	89
10500	30	10769	19	12108	10	13017	89
10501	30	10770	21	12109	11	13020	89
10502	32	10775	12	12110	11	13024	89
10504	30	10777	65	12117	10	13028	89
10507	31	10795	12	12119	10	13032	89
10611	13	10810	58	12121	11	13038	89
10615	30	10811	58	12122	11	13044	89
10617	30	10812	58	12123	10	13050	89
10618	55	10813	29	12124	7	13301	94
10620	61	10826	13	12125	7	13302	94
10621	61	10827	13	12127	8	13303	94
10622	57	10835	13	12128	7	13304	94
10623	30	10840	26	12130	7	13305	94
10624	30	10856	27	12131	7	13306	94
10625	30	10857	27	12133	7	13307	94
10626	39	10871	39	12134	8	13308	94
10632	78	10880	39	12139	8	13310	94
10640	14	10881	39	12140	10	13312	94
10641	14	10895	64	12141	9	13314	94
10642	14	10897	45	12142	9	13316	94
10649	78	10917	25	12143	69	13318	94
10650	25	10918	25	12144	9	13320	94

Plumbing

Hose Clamps

Lighting

Dolphin Chargers

Pedestals

Struts

Teak Wonder

# Index

Plumbing

Part #	Page
13322	94
13323	94
13508	88
13509	88
13510	88
13511	88
13512	88
13513	88
13514	88
13515	88
13516	88
13517	88
13614	89
13617	89
13620	89
13624	89
13628	89
13632	89
13638	89
13644	89
13650	89
13657	89
13664	89
13670	89
13676	89
13683	89
13689	89
13694	89
13696	89
13697	89
13698	89
13699	89
14000	65
14001	65
14002	65
14003	65
14004	65
14005	65
14006	65
14017	69
14022	17

Hose Clamps

Part #	Page
14023	65
14024	65
14025	17
14026	17
14027	17
14028	17
14029	16
14030	16
14031	16
14032	16
14037	17
14038	17
14039	17
14040	17
14041	17
14042	16
14043	16
14044	16
14048	64
14053	16
14054	16
14055	17
14066	17
14067	26
14070	15
14071	15
14072	82
14073	82
14074	16
14075	16
14076	81
14077	15
14078	15
14080	26
14084	27
14085	19
14087	21
14090	61
14091	21
14100	14
14101	14

Lighting

Part #	Page
14103	14
14108	14
14112	21
14117	21
14119	21
14122	15
14124	15
14126	15
14128	15
14140	21
14157	15
14217	66
14227	21
14229	66
14268	67
14269	67
14289	74
14301	67
14302	67
14303	141
14306	68
14308	141
14339	65
14340	65
14341	65
14342	65
14350	67
14351	67
14352	67
14353	67
14360	66
14361	66
14362	66
14363	66
14364	66
14365	66
14371	53
14400	58
14405	38
14406	38
14407	38

Dolphin Chargers

Part #	Page
14408	38
14410	37
14411	38
14412	38
14413	38
14414	37
14415	38
14416	38
14417	37
14419	37
14420	52
14421	42
14423	42
14424	42
15950	65
15951	65
15995	67
16000	56
16001	49
16002	40
16006	56
16007	49
16016	56
16020	56
16026	56
16062	40
16100	24
16101	24
16102	24
16103	24
16110	24
16111	24
16112	24
16114	22
16115	22
16116	22
16190	54
16191	50
16198	52
16200	51
16201	31

Pedestals

Struts

Teak Wonder

# Index

Part #	Page	Part #	Page	Part #	Page	Part #	Page
16202	47	23010	72	40121	136	40311	139
16203	47	24401	95	40123	136	40320	139
16204	29	31601P	95	40124	136	40321	139
16205	30	31602P	95	40125	136	40330	139
16206	33	31604	95	40126	136	40331	139
16210	51	31605	95	40150	132	40340	139
16211	46	31606	95	40151	132	40341	139
16212	46	31611P	95	40152	133	40350	139
16214	50	31612P	95	40153	132	40351	139
16216	36	32301	94	40154	131	40502	47
16250	48	32302	94	40155	131	41000P	114
16251	31, 48	32303	94	40156	133	41001P	114
16252	48	32304	94	40157	133	41008P	114
16253	31, 48	32305	94	40160	132	41009P	114
16265	30	32306	94	40166	133	41010P	114
16310	53	32307	94	40168	130	41011P	114
16311	46	32308	94	40169	130	41020P	114
16312	50	32310	94	40170	130	41021P	114
16313	50	32312	94	40171	133	41022P	114
16316	32	32314	94	40173	128	41023P	114
19003	82	32316	94	40174	128	41030P	114
19004	82	32318	94	40175	130	41031P	114
19005	72, 82	32320	94	40176	130	41032P	114
19006	82	32322	94	40177	128	41033P	114
19007	72, 85	32323	94	40179	129	41034P	114
19052P	100	40000P	140	40183	129	41035P	115
19053P	100	40100	137	40184	129	41036P	116
19061	112	40101	137	40189	130	41037P	116
19089	64	40102	138	40190	130	41038P	114
22008	88	40103	138	40198	131	41039P	115
22009	88	40104	137	40200	130	41040P	114
22010	88	40105	137	40220	130	41041P	114
22011	88	40106	138	40221	130	41050P	114
22012	88	40107	138	40222	130	41051P	114
22013	88	40110	138	40273	128	41052P	114
22014	88	40111	137	40274	128	41053P	114
22015	88	40112	137	40283	129	41070P	114
22016	88	40113	138	40284	129	41071P	114
22017	88	40115	138	40300	139	41072P	114
23000	72	40117	138	40301	139	41073P	114
23001	72	40118	138	40310	139	41075P	114

Plumbing

Hose Clamps

Lighting

Dolphin Chargers

Pedestals

Struts

Teak Wonder

# Index

Plumbing

Part #	Page
41080P	114
41081P	114
41082P	115
41083P	115
41084P	115
41085P	115
41086P	115
41087P	115
41088P	115
41089P	115
41090P	115
41092P	115
41095P	115
41097P	115
41100P	115
41101P	115
41102P	115
41103P	115
41104P	115
41105P	115
41106P	115
41107P	115
41110P	115
41111P	115
41112P	115
41113P	115
41114P	114
41115P	114
41120P	116
41121P	116
41122P	116
41140	116
41141	117
41142	117
41144	116
41145	117
41146	117
41159P	103
41300P	97
41301P	97
41302P	97

Hose Clamps

Part #	Page
41303P	97
41317P	97
41322P	99
41323P	98
41324P	98
41325P	98
41336	101
41339	107
41340P	98
41343	105
41346	109
41346P	109
41347	109
41347P	109
41350	109
41350P	109
41351	109
41351P	109
41354	109
41354P	109
41356	105
41357	109
41357P	109
41358	109
41358P	109
41359	109
41359P	109
41360	107
41361	107
41362	107
41364P	99
41365	100
41366	100
41368P	97
41369P	97
41370P	97
41371P	107
41372P	107
41373P	97
41376P	97
41377P	97

Lighting

Part #	Page
41378P	97
41379P	97
41381	107
41382	107
41383	107
41384	107
41385P	97
41386P	97
41387P	97
41388P	102
41389P	102
41393P	97
41394P	97
41395P	97
41396P	101
41397P	101
41416P	96
41420P	97
41421P	97
41422P	97
41423P	97
41430P	106
41431P	106
41432P	106
41435	104
41436	104
41437	104
41440P	104
41441P	104
41445P	104
41446P	104
41460	107
41461P	98
41462P	98
41465P	99
41466P	99
41467P	99
41510	110
41511	110
41514	110
41515	110

Dolphin Chargers

Part #	Page
41516	110
41517	110
41520	110
41521	110
41522	110
41523	110
41524	110
41525	110
41559P	97
41561P	97
41580	111
41581	111
41582	111
41583	111
41584	111
41590P	102
41599	112
41600	113
41601	113
41602	113
41603	113
41606	112
41607	113
41608	112
41610	113
41611	113
41612	113
41613	113
41615	112
41650P	108
41650	108
41651	108
41651P	108
41652	108
41652P	108
41730	113
41731	113
41750	106
41750P	106
46000	34
46001	34

Pedestals

Struts

Teak Wonder

# Index

Part #	Page	Part #	Page	Part #	Page	Part #	Page
46002	34	50030	90	60110	142	67010	93
46003	34	50031	90	60115	142	67011	93
46004	35	50032	90	60120	142	67012	93
46005	35	50033	90	60125	142	67013	93
46006	35	50034	90	60140	142	67014	93
46007	35	50035	90	66057	89	67015	93
46009	34	50036	90	66064	89	67016	93
46010	34	50037	90	66070	89	67017	93
46011	34	50038	90	66076	89	67018	93
46012	34	50039	90	66083	89	67019	93
46013	35	50040	90	66089	89	67020	93
46014	35	50041	90	66095	89	67021	93
46015	35	50042	90	66102	89	67022	93
46016	35	50043	90	66108	89	67023	93
46017	35	50044	90	66114	89	67024	93
46018	35	50045	90	66127	89	67025	93
46019	35	50048	90	66140	89	67026	93
46020	35	50049	90	66140	89	67027	93
46021	35	50200	91	66152	89	67028	93
46022	35	50201	91	66152	89	67029	93
46023	35	50202	91	66165	89	67030	93
46024	34	50203	91	66165	89	67031	93
46025	34	50204	91	66178	89	67032	93
46026	34	50205	91	66178	89	67033	93
46027	34	50206	91	66191	89	67034	93
46029	34	50207	91	66203	89	67035	93
46030	36	50208	91	66216	89	67036	93
46031	36	50209	91	66232	89	67037	93
46032	36	50210	91	66257	89	67038	93
46033	36	50211	91	66283	89	67100	93
46034	36	50212	91	66308	89	67101	93
46035	36	50213	91	67000	93	67102	93
46036	36	50214	91	67001	93	67103	93
50010	90	50215	91	67002	93	67104	93
50011	90	50216	91	67003	93	67105	93
50012	90	50217	91	67004	93	67106	93
50013	90	60002	95	67005	93	67107	93
50014	90	60003	95	67006	93	67108	93
50015	90	60100	142	67007	93	67109	93
50016	90	60101	142	67008	93	67110	93
50017	90	60105	142	67009	93	67111	93

**Plumbing**  
**Planus Toilets**  
**ABA Hose Clamp**  
**Lighting**  
**Battery Chargers**  
**Pedestals**  
**Hardware**

# Index

Plumbing

Part #	Page
67112	93
67113	93
67114	93
67115	93
67116	93
67117	93
67118	93
67119	93
67120	93
67121	93
67122	93
67123	93
67124	93
67125	93
67126	93
67127	93
67128	93
67129	93
67130	93
67131	93
67132	93
67133	93
67134	93
67135	93
67136	93
67137	93
67138	93
70000	55
70001	53
70002	44
70101	20
70102	20
70103	51
70104	40
70105	32
70106	54
70108	49
70112	20
70350	20
70351	25
70353	62

Hose Clamps

Part #	Page
70355	63
70357	63
70358	63
70359	62
70360	62
70361	63
70400	62
70401	63
70402	62
70403	62
70405	63
70407	63
70499	31
70503	47
70600	52
70601	41
70602	32
70603	20
70604	33
70637	41
71001	66
71003	65
71004	20
71004	26
71005	20
71005	26
71006	20
71029	66
71039	20
71056	66
74103	51
74106	54
74107	54
74121	42
74122	42
74125	60
74150	25
74151	25
80000	84
80001	84
80010	85

Lighting

Part #	Page
80011	85
80012	85
80013	85
99001	119
99011	119
99020	119
99030	119
99031	126
99040	119
99041	119
99047	120
99050	119
99165	123
99175	123
99185	123
99201	125
99202	125
99501	121
99502	121
99503	121
99504	121
99505	121
99507	121
99509	121
99510	121
99511	121
99512	121
99520	120, 126

Dolphin Chargers

Pedestals

Struts

Teak Wonder

# Dolphin

charger



**BATTERY CHARGERS  
AND ACCESSORIES**





## PROLITE Series



**Dolphin Chargers** are known as a yacht quality product that is professionally designed and manufactured in Europe with the latest components to be more efficient and reliable than the competition. In 2019 Dolphin set out to create this line of small water resistant chargers with the same philosophy for the outboard and gasoline boat market.

- 40% smaller and 50% lighter than most competitors
- Includes 6' AC and DC cables and fusing
- 15 amp 2 - outputs / 25 amp 3 - outputs
- IP 65 Water Resistant
- ISO certified 8846 for use in gasoline boats
- Works with any battery technology on the market
- Will charge from 0 VDC
- Bluetooth Interface
- Simple installation
- 92% Super Efficient





The **NEW PROLITE** 12v 15Amp and 25Amp chargers are smaller, lighter and more efficient than the competition and boast the latest in connectivity with standard **Bluetooth** interface. The **Dolphin Connect App** (iOS and Android) will allow you to monitor and control your charger from your mobile device!



SKU#	99215	99225
	12V - 15A	12V - 25A
<b>Input</b>		
Input Voltage	115V +/- 10%	115V/230V +/- 10%
Frequency	50/60 Hz +/- 10%	
Cos	> 0.5	> 0.9
Efficiency	> 90%	
Max. Current 115V/230V	4A	4A/2A
<b>Output</b>		
Number of outputs	2	3
Max. Current	15 Amp +/- 5%	25 Amp +/- 5%
Number of charging curves	Open lead acid / Lead calcium / AGM-GEL / LifeSo4 + BMS	
Charging curve	IUUo	
Voltage share	+/- 2%	
Ripple	< 1% (BW < 20MHz)	
<b>Protection</b>		
	Output current limited / Output short circuit / Overload output voltage / Reverse polarity / Over temperature	
<b>General</b>		
Display	Tricolor LED	
Control	Front push-button switch or via Dolphin Connection App	
Operating temperature	14° F to 131° F (automatic de-rating)	
Storage temperature	- 4° to 158° F	
Humidity	10% to 90%	
IP Rating	IP65	
Ventilation	Natural Convection	
Safety	EN 60335-1, EN 60335-2-29, ISO 8846, SAE J1171, UL 1236	
EMC	EN 55014-1, EN 55014-2	
Housing	Anodized extruded aluminium	
Mounting	Wall-mounted 2 x #8 Screws	
Dimensions	5-1/2" W x 7-5/8" H x 2-3/4" D	5-1/2" W x 9-5/8" H x 2-3/4" D
Weight	3 lbs.	4-1/8 lbs.
AC & DC Cord length	6 feet	
AC Connection	3-wire, 19 AWG cable with NEMA 5-15 plug for U.S.	
Battery Connection	Pre-wired 5/16" ring terminals with 10 AWG cables	Pre-wired 5/16" ring terminals with 6 AWG cables

# Dolphin

premium



## PLUG AND PLAY BATTERY CHARGER



12V-60A  
24V-30A



12V-40A  
24V-20A

- New robust and compact casing
- 3 Completely isolated battery outputs
- Easy wiring and connections thanks to the Winsta (Wago) and Phoenix contact connectors
- Digital management with up to date microcontroller
- 4 charging programs including one for lithium-ion-iron-phosphate with integrated BMS
- Full power at temperatures up to 120° F
- Automatic weekly equalisation for all charging programs
- Automatic 115/230V switchover
- Night mode: silent - without fan (12V-40A & 24V-20A only)
- Touchview Controller connection (12V-60A, 24V-30A only)
- Conformal coating of PCB to prolong the life of the battery charger



SKU#	99030	99050	99040	99041
	12V		24V	
	40A	60A	20A	30A
<b>Input</b>				
Input Voltage	115V/230V (+/-15%) Automatic Switchover			
Frequency	50Hz/60Hz (+/-10%)			
Cos	0.9			
Efficiency	80%			
Max. Current 115V/230V	7A/3.5A	10A/5A	7A/3.5A	10A/5A
Fuse	T10A 250V	T16A 250V	T10A 250V	T16A 250V
<b>Output</b>				
Number of outputs	3 isolated outputs			
Number of charging curves	4 programs, position selected by dip switch			
Charging curve	IUJo +	IUJo	IUJo +	IUJo
Weekly equalization	Automatic	N/A	Automatic	N/A
Voltage share	+/-2%			
Ripple	< 1% pp (BW < 20MHz)			
Fuse (automotive mini)	2 x F25A 32V	3 x F25A 32V	2 x F15A 32V	3 x F15A 32V
<b>Protection</b>				
	In case of output overload, Excessive internal temperature Charging voltage too high, Reverse battery polarity (fuse)			
<b>General</b>				
Display	Tricolor LED			
Night/Silent mode	By button	N/A	By button	N/A
Operating temperature	14° F to 122° F			
Storage temperature	- 4° to 158° F			
Humidity	10% to 90% (without condensation)			
Ventilation	Forced fan cooling			
Safety	EN 60335-2-29 (2002)			
Housing	Powder coated aluminum			
Mounting	2 x #10 Screws	4 x #10 Screws	2 x #10 Screws	4 x #10 Screws
Dimensions	4-3/4" W x 13-7/8" H x 3-3/4" D	10-3/4" W x 9-1/2" H x 4-1/4" D	4-3/4" W x 13-7/8" H x 3-3/4" D	10-3/4" W x 9-1/2" H x 4-1/4" D
Weight	4-1/4 lbs.	6-1/2 lbs.	4-1/4 lbs.	6-1/2 lbs.
AC Connection	20A 230V, 14 AWG max WINSTA - WAGO 770.813/G11-000			
DC Connection	10 AWG max	4 AWG max	10 AWG max	4 AWG max
CAN BUS	No	Yes	No	Yes

# Dolphin pro



ROBUST AND  
POWERFUL  
MARINE BATTERY  
CHARGER



**#99520**

Touchview Remote  
Touchscreen Panel



- Can operate up to 149° F without D rating
- Internal diode isolator without voltage drop
- User friendly design: a solid casing in aluminum, mounting by 4 easily accessible screws
- A front cover allowing easy access to the charge selector and wiring connections (4 solid 5/16" terminals for the battery outputs)
- A cable gland for the input cable and a cable grommet with a waterproof seal
- Integrated Control Panel: LED display indicating the charging curve (boost, absorption, float), as well as anomalies and faults (temperature voltage, fuses...)
- Automatic switchover: equipped with 3 isolated outputs, automatic switchover 115V/230V, 50Hz/60Hz
- 9 charging programs (including 2 winterizing and 1 power supply) depending on battery type, makes this charger suitable for all charging needs
- Optional extras: external Touchview control panel and a battery temperature sensor (included) allowing a charging level adjustment
- Conformal coating of PCB to prolong the life of the battery charger
- Using built-in CAN BUS J1939 interface, the Dolphin Pro can be connected to any monitoring system

Pro Chargers	99507	99501	99502	99503	99505	99504	99509
Pro-Touch Chargers		99510		99511		99512	
	12V		24V				
	70A	90A	40A	60A	80A	100A	150A
<b>Input</b>							
Input Voltage	115V/230V (+/-15%) Automatic Switchover				230V (+/-15%)		
Frequency	50Hz/60Hz (+/-10%)						
Cos	> 0.9 typ						
Efficiency	83%		87%				85%
Max. Current 115V/230V	13A/6A	16A/7A	14A/6A	15A/9A	15A	17A	
Fuse	T20A					2 x T20A	
<b>Output</b>							
Number of outputs	3 isolated outputs						
Number of Charging curves	Open lead acid / Sealed lead acid / Lead calcium / Delphi Batteries / Spiral cell AGM / Winterizing lead acid / Winterizing GEL & AGM / Power Supply / LifeSo4 + BMS						
Charging curve	IUUo						
Voltage share	+/-2%						
Ripple	< 1% (BW < 20MHz)						
Fuse (automotive mini)	4F30A	4F30A	3F25A	3F25A	5F25A	5F25A	200A
<b>Protection</b>							
	Output current limited / Output short circuit / Overload output voltage / Reverse polarity / Over temperature						
<b>General</b>							
Display	LED display or optional multi-color Touchview Controller						Touchview
Operating temperature	14° F to 122° F						
Storage temperature	- 4° to 158° F						
Humidity	10% to 95% (without condensation)						
IP	IP22						
Ventilation	Forced fan adjustable speed cooling						
Safety	EN 60335-1						
Housing	Powder coated aluminum						
Mounting	Wall mounted 4 x #8 Screws						6 x #8 Screws
Dimensions	13-7/16"W x 14-1/4" H x 5" D					13-7/16" W x 14-1/4" H x 7-1/2" D	14"W x 16" H x 9-1/2" D
Weight	13-1/4 lbs.					25-1/4 lbs.	42 lbs.
AC Connection	3-pin cage terminal 10 AWG max						
DC Terminal	4 x 5/16" Terminal Bolts						
Output Alarm Contact	1A 30V NO						10A
<b>Optional Connections</b>							
Battery Temperature Sensor	2-pin cage terminal 14 AWG						
External Touchview control panel	RJ45						
CAN BUS	2 Micro-Fit & RJ11						

# Dolphin pro HD+



TOUGH  
ENVIRONMENT  
DNV-GL\* TYPE  
APPROVED



- Dedicated to commercial and offshore market
- Type-approved by Det Norske Veritas (DNL-GL)
- DOLPHIN PRO HD+ will be delivered with its Touchview display as standard, measuring AMP/VOLT of battery charger, showing charging mode and alarms (temperature, fuse, battery)
- The HMI touchscreen control panel is a real innovation in the battery charger environment
- Using built-in CAN BUS J1939 interface, the DOLPHIN PRO HD+ can be connected to any monitoring system
- Built-in alarm relay is included for remote alarm system
- Conformal coating of PCB to prolong the life of the battery charger
- Compatible with MARBLE Automatic NL (approved Oct. 14)

\* Certificate No. E-14112/ File No. 822.20/ Job ID 262.1-018698-1

Type tests in accordance with IEC 60335-1 & IEC 60335-2-29. Low temperature & vibration tests in accordance with SfC No. 2.4 Class A. Humidity / Damp heat tests in accordance with SfC No. 2.4 Class B. EMC in accordance to SfC No. 2.4 Class A

SKU#	99165	99175	99185
	<b>24V</b>		
	40A	60A	100A
<b>Input</b>			
Input Voltage	115V/230V (+/-15%) Automatic Switchover		230V (+/-15%)
Frequency	50Hz/60Hz (+/-10%)		
Cos	0.9 typ		
Efficiency	85%		88%
Max. Current 115V/230V	12A/6A	12A/9A	15A
Fuse	T20A		2 x T20A
<b>Output</b>			
Number of outputs	3 isolated outputs		
Number of Charging curves	9 Programs, Open lead acid / Sealed lead acid / Lead calcium / Delphi Batteries / Spiral cell AGM / Winterizing lead acid / Winterizing GEL & AGM / Power Supply / LifeSo4 + BMS		
Charging curve	IUUo 3 modes		
Voltage share	+/-2%		
Ripple	< 1%		
Fuse (automotive mini)	3F30A		5F30
<b>Protection</b>			
	In case of output overload, Excessive internal temperature, Charging voltage too high, Reverse battery polarity (fuse), Excessive battery temperature, Temperature sensor default, AC over and under voltage		
<b>General</b>			
Display	Touchview control panel		
Operating temperature	14° F to 149° F		
Storage temperature	- 4° to 185° F		
Humidity	10% to 95% (without condensation)		
IP	IP22		
Ventilation	Forced fan adjustable speed cooling		
Safety	EN 60335-29-2		
EMC	Emission EN 55014-1		
Housing	Powder coated aluminum and composite materials (LED)		
Mounting	Wall mounted 4 x #8 Screws		
Dimensions	13-7/16"W x 14-1/4" H x 5" D		13-7/16" W x 14-1/4" H x 7-1/2" D
Weight	13-1/4 lbs.		26-1/2 lbs.
AC Connection	3-point cage terminal 10 AWG max		
DC Terminal	4 x 5/16" Terminal Bolts		
Output Alarm Contact	1A 30V NO		
<b>Optional Connections</b>			
Battery Temperature Sensor	2-pin cage terminal 14 AWG		
CAN BUS	RJ11		

# Dolphin booster



- Dolphin Booster is a DC to DC intelligent 30 amp battery charger
- Product range: 12 volt or 24 volt input with 24 volts output
- Typical application: charge an auxiliary battery bank from any 12V or 24V source
- The smart DOLPHIN DC/DC BOOSTER provides 4 stage charging program as well as automatic protection against battery source drainage
- Advance and unique 4 charging programs can be selected based on battery type (lead acid, gel, agm or LiFeSo4)
- Conformal coating of PCB to prolong the life of the battery charger



SKU#	<b>99201</b>	<b>99202</b>
	<b>12V</b>	<b>24V</b>
	30A	
<b>Input</b>		
Input Voltage	13V +/- 3V	26V +/- 6V
Max. Current	70A	35A
Efficiency	85% to 90%	
Fuse	4 x F30A	
<b>Output</b>		
Number of outputs	1 output	
Battery Voltage	24V	
Battery Capacity	50 to 200 Ah	
Output Voltage	26.5V to 30V +/- 1%	
Max. Current	30A +/- 5%	
Number of charging Curves	4 Programs, position selected by dip switch, Lead Acid, AGM, Gel, LiFeSo4	
Charging Curve	IUUo	
Ripple	< 1%	
Fuse	2 x F25A	
<b>Protection</b>		
	In case of output overload, Excessive internal temperature, Reverse battery polarity (fuse)	
<b>General</b>		
Display	Tricolor LED	
Operating temperature	14° F to 130° F	
Storage temperature	- 4° to 158° F	
Humidity	10% to 90% (without condensation)	
Ventilation	Forced fan cooling	
Dimensions	9-7/8" W x 6" H x 3-1/8" D	
Weight	4-1/2 lbs.	
Input Connection	5/16" Terminal Bolts	
Battery Connection	5/16" Terminal Bolts	
<b>Optional</b>		
	Can Bus connection with Touchview or Navicolor RJ11 and/or Micro-Fit connection	



## TOUCHVIEW Control Panel



- External touch screen control panel for Dolphin chargers
- Can Bus connection
- Supervise your battery charger and battery banks
- Displays temperature, error messages, charging current, charge curve selected, charging phase (boost, absorption, float), power max delivered



SKU#	<b>99520</b>
	<b>12V / 24V</b>
<b>General Information</b>	
Screen Size	2.4" diagonal
LED Type	a-Si TFT
Color Configuration	RGB vertical stripe
Backlight	White LED
Interface	16-bit interface for i80 system
Conformity	ROHS
Diameter overall	3-5/8"
Waterproof Rating	IP65 (front panel only)
Cutout and depth	2-7/8" Diameter x 1" Deep

- 99526** 9' Cable supplied with Touchview.
- 99527** Custom Length Cable with RJ9 connectors sold by the foot. Maximum Length 65'.

## BATVIEW Battery Monitor



- Read your battery bank like a fuel gauge
- Provides critical information about the status of your battery bank
- Displays voltage, current, consumed amhours and remaining battery capacity
- Secondary battery bank voltage monitoring
- Auto sensing battery voltage inputs
- Large backlit LCD display
- Quick nut mounting construction
- Programmable alarm relay
- Shunt selection capability enables flexible system integration
- Splash proof front panel
- 500 amp shunt included



SKU#	<b>99031</b>
	<b>12V / 24V</b>
<b>General Information</b>	
Main Battery Functions	Volts, Amps, Amphours, State of charge, Low battery alarm
Auxiliary Battery Functions	Volts
Display	Multi-fuction LCD
Supply Voltage Range	9 to 35 VDC (± 0.1V)
Supply Current*	9mA @ 12 VDC 7mA @ 24 VDC
Input Voltage Range Main Battery Auxiliary Battery	0 to 35 VDC (± 0.3%) 2 to 35 VDC (± 0.3%)
Input Current Range**	-999 to +999A (± 0.4%)
Battery Capacity Range	20 to 999Ah
State-of-Charge	± 1%
Operating Temperature	-4 to 122°F
Mounting Hole	2-1/16" to 2-1/8" dia. (52 - 54mm)
Monitor Dimensions	Front Panel Ø 2-1/2" (64mm) Body Ø 2" x 3-1/8" Total Depth
Shunt Dimensions	Footprint 1-3/4" x 3-1/2" (45 x 87mm) Base Height 1/2" (17mm) Overall Height 1-1/4" (35mm)
Waterproof Rating	IP65 (front panel only)
Monitor Weight	1/4 lb (95 g)
*Measurement with backlight and alarm relay turned off. **Depends on selected shunt. With standard 500A / 50mV shunt (350A continuous), the range is limited from -600 to +600A)	

# Dolphin phin



# Scandvik Lighting Catalog 2018



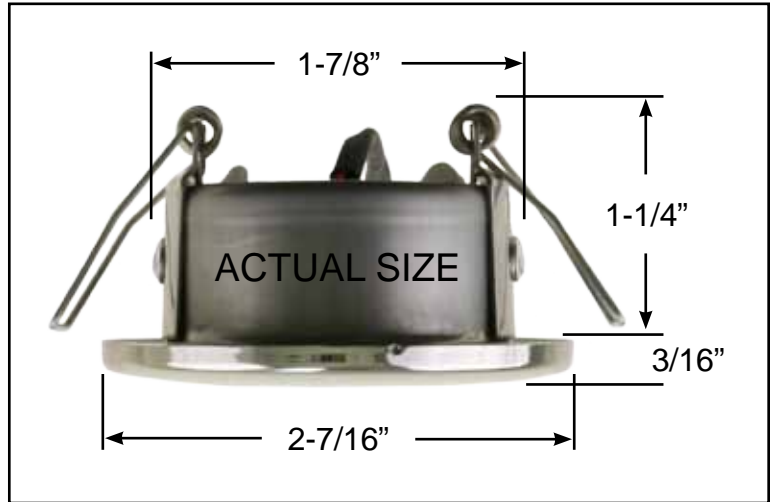
## LED Ceiling Lights

# 4 COLOR LED

A2.5 weather proof down lights are able to display your choice of White, Blue, Red or Green with no special switches, wires or controllers. Auto cycling 2-wire down lights. Switch light off and on again within 1.5 seconds to cycle through each of the four colors. Turning the light off for more than 5 seconds resets the light to White. Made of rugged stainless steel with IP67 protection, this light is easily suitable for overhead interior ceilings or exterior locations in T-tops, hard tops, flybridge or covered decks. Installation requires no special tools, strong stainless steel spring clips hold light firmly in place in a 2" diameter mounting hole.

### #41416P A2.5 4-COLOR Down Light

- Auto cycling: Daylight White/Blue/Red/Green
- 2" Mounting Hole, Flush/Spring Clip Mount
- Switch OFF/ON within 1.5 seconds to select color
- Auto resets to White when turned off
- Daylight White (5500-6300K) / 286 Lumens
- 12/24 V - 2.6 W
- IP67
- 316 Stainless Steel



# LED Ceiling Lights

## A3



Stainless Steel Trim



White Plastic Trim



Stainless Steel Trim

Other Trim Rings Available:  
 - Round Brass  
 - Square 316 Stainless Steel

### 3" LED Ceiling Light

- Dimmable -- with any Pulse-Width Modulation Dimmer
- Polycarbonate Lens

#### Warm White LED

- 6 x 0.5 Watt Warm White LED
- 242 Lumens
- 12 V - 2.2 W

**#41368P** Flush Mount, 316 Stainless Steel Trim

**#41379P** Flush Mount, White Trim

**#41317P** Surface Mount, White Trim

**#41373P** Surface Mount, 316 Stainless Steel Trim

**#41393P** Flush Mount, Black Trim

#### Cool white LED

- 6 x 0.5 Watt Cool White LED
- 170 Lumens
- 12 V - 2.2 W

**#41420P** Flush Mount, 316 Stainless Steel Trim

**#41421P** Flush Mount, White Trim

**#41423P** Surface Mount, White Trim

**#41422P** Flush Mount, Black Trim

#### Dual Color, Warm White with Blue Night Light

- 6 x Warm White LED
- 6 x TOP Blue LED
- 12 V - (White 2.2 W) (Blue 0.45 W)
- 3-Wire

**#41376P** Flush Mount, 316 Stainless Steel Trim

**#41377P** Flush Mount, White Trim

**#41378P** Surface Mount, 316 Stainless Steel Trim

**#41394P** Flush Mount, Black Trim



**#41317P** Warm White  
**#41423P** Cool White



Black Plastic Trim



3" Plastic Trim  
 2-3/4" SS Trim  
 FLUSH MOUNT



3" Plastic Trim  
 2-3/4" SS Trim  
 SURFACE MOUNT

#### Dual Color, Warm White with Red Night Light

- 6 x Warm White LED
- 6 x TOP Red LED
- 12 V - (White 2.2 W) (Red 0.45 W)
- 3-Wire

**#41386** Flush Mount, 316 Stainless Steel

**#41385** Flush Mount, White Trim

**#41387** Surface Mount, 316 Stainless Steel

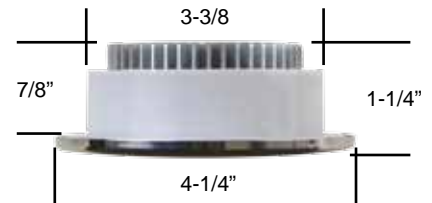
**#41395** Flush Mount, Black Trim

## A4



### #41369P 4" LED Ceiling Light

- Dimmable
- Screw Mount
- Polycarbonate lens
- 316 Stainless Steel trim ring
- 16 x .5 W Warm White (4500K)
- 180 Lumens
- 12/24 V - 6 W
- IP-67

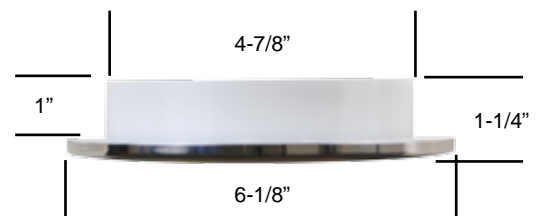


## A6



### #41370P 6" LED Ceiling Light

- Dimmable
- Screw Mount
- Polycarbonate lens
- 316 Stainless Steel trim ring
- 26 x .5 W Warm White (4500K)
- 545 Lumens
- 12/24 V - 9.3 W
- IP-67



## Surface Mount Ceiling / Dome Lights

**NEW**

### LED Dual-Color Low-Profile Dome Light



#### #41461P LED Warm White / Blue

- 12/24 V - 6 W
- 30 LED Warm White (2900-3200K)
- 390 Lumens
- 26 LED Blue
- Plastic housing
- Surface mount
- IP65
- Touch Switch
- Switch glows Blue



#### #41462P LED Warm White / Red

- 12/24 V - 6 W
- 30 LED Warm White (2900-3200K)
- 390 Lumens
- 26 LED Red
- Plastic housing
- Surface mount
- IP65
- Touch Switch
- Switch glows Blue



#### #41340P LED ceiling light with switch

- 12V - 4.4W
- Dimmable when connected to an external dimming module (steady volt, non PWM)
- 24 x 0.2 Watt 2835 LEDs
- Warm White (2900-3200K)
- 328 Effective Lumens
- Plastic housing with high impact plastic lens
- Surface Mount
- IP66

**NEW**



#### #41323P

- 12/24 V
- 51 x 0.5 Watt 2835 LEDs
- Natural White (4500K)
- 720 Effective Lumens
- Plastic housing with high impact plastic lens
- Surface mount, 3 SS Screws Included
- IP67
- Three Stage Dimming Touch Switch
- Switch glows Blue

### LED Traditional SS Dome Light



#### #41324P LED 5-1/2" Dia. x 1-1/2" High

- New LED version
- Stainless Steel
- Prismatic plastic lens
- Surface Mount

- 229 Lumens
- 12 V - 1.7 W
- 15° Beam Angle
- Side mounted on/off switch. Illuminated by 20 SMD 2835 warm white (4000K) LED's (compares with a 20 Watt Halogen bulb)

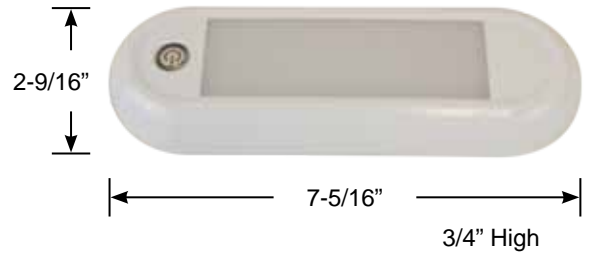
## Surface Mount Ceiling Lights

### LED 7" Oval Dome Light with Touch Switch



#### #41322P

- 12/24V
- 42 x 0.5 Watt 2835 LEDs
- Natural White (4500K)
- 680 Effective Lumens
- Plastic housing with high impact plastic lens
- Surface mount, 2 SS Screws Included
- IP67
- Three Stage Dimming Touch Switch
- Switch glows Blue

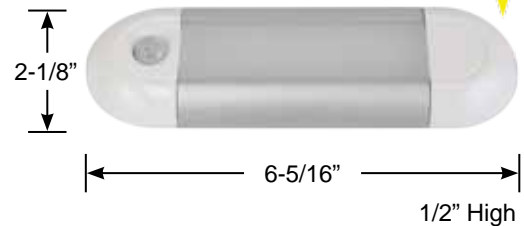


### LED 6" Rail Light with Motion Switch



#### #41465P

- 12/24V
- 22 x 0.2 Watt 2835 LEDs
- Color White
- 195 Effective Lumens
- Aluminum housing with high impact plastic lens
- Surface mount, 2 SS Screws included
- IP67
- Motion Switch



### LED 12" & 24" Rail Lights

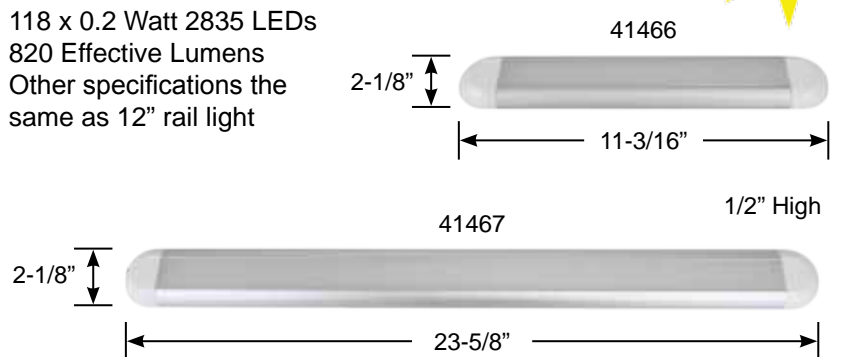


#### #41466P 12"

- 12/24V
- 58 x 0.2 Watt 2835 LEDs
- Color White
- 550 Effective Lumens
- Aluminum housing with high impact plastic lens
- Surface mount, 2 SS Screws included
- IP67
- Without switch

#### #41467P 24"

- 118 x 0.2 Watt 2835 LEDs
- 820 Effective Lumens
- Other specifications the same as 12" rail light



#### #41364P LED cabin light with switch

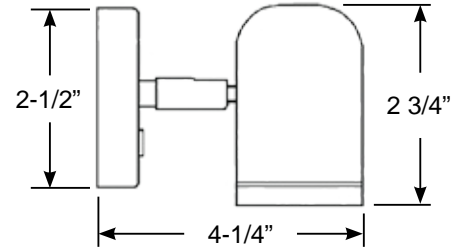
- Dimmable when connected to an external dimming module
- 12/24 V - 9 W
- 32 x 0.5 Watt Samsung 5630 LEDs
- Warm White (3000K)
- 535 Lumen
- Polycarbonate housing and diamond cut lens
- Surface Mount
- IP40 (for interior use)
- Dimensions: 13" L x 2-3/4" W x 7/8" H

## Cabin and Reading Lights



**#19052P** LED Polished Brass

- 12/24 V - 3.1 W
- Adjustable swivel light
- On/off rocker switch
- 16 SMD 2835 Warm White (2900-3200K) LED
- 154 Lumen
- 120° Beam Angle

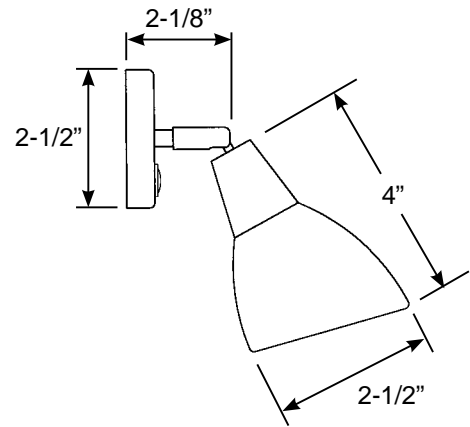


**#19053P** LED 304 Stainless Steel



**#41365** LED Frosted Glass Shade

- 12/24 V - 1.5 W
- Adjustable swivel light
- On/off rocker switch
- 304 Stainless Steel
- White frosted glass shade
- 0.12 A @ 12V, 0.06 A @ 24 V
- Warm White (2900-3200K) LED
- 290 Lumen
- 340° Beam Angle

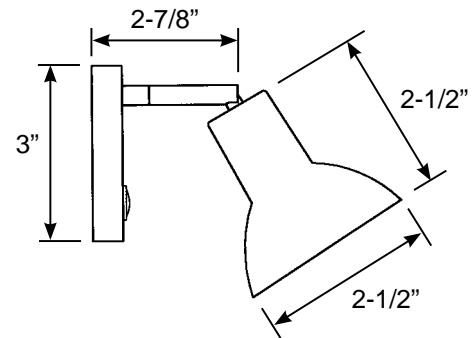
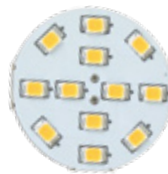


**#41330** with 12 V - 10 W Halogen bulb  
**#41366** with **#41010** 12/24 V - 2 W Warm White (3000K) LED, 170 Lumens, back-pin wafer bulb

- Adjustable swivel light
- Chrome plated brass
- On/off rocker switch



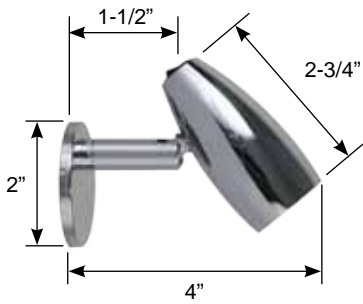
**#41010** LED back-pin wafer





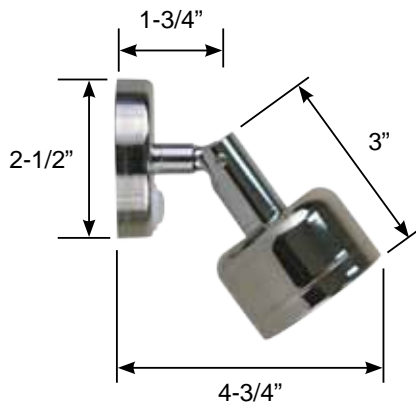
## Cabin and Reading Lights

---



**#41396P** LED Micro Reading Light

- Adjustable swivel light
- Chrome plated brass
- On/off rocker switch
- 12/24 V - 2.0 W
- 12 x 0.2 Watt LEDs
- Warm White (2,900-3,200K)
- 120 Lumen
- Beam Angle 120°
- LED Lifetime: 50,000 hours



**#41397P** LED Allure Reading Light

- Dimmable
- Adjustable swivel light
- 304 Stainless Steel
- On/off rocker switch
- 12/24 V - 3.1 W
- 1 x 3.0 Watt LED
- Warm White (2,850-3,200K)
- 160 - 140 Lumen
- Beam Angle 110°
- LED Lifetime: 50,000 hours



**#41336** LED Chart Light

- 12 V - 6 W
- 20-1/2" flexible arm
- 8 RED LEDs
- On/off rocker switch located on base
- Plastic base and LED housing with chrome spiral flexible arm

## Engine Room / Utility Lights

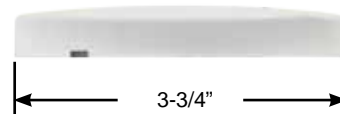
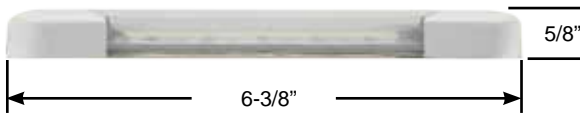
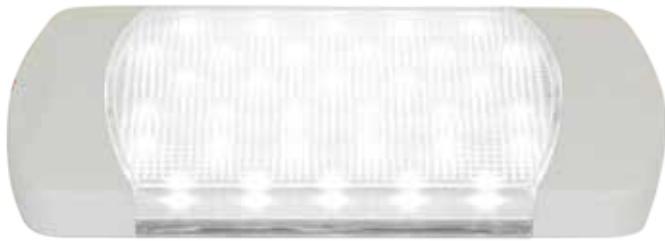


MARINE  
IGNITION  
PROTECTED



### #41590 E-330 LED Compact Engine Room Light

- 12/24 V - 10 W
- 33 x 0.5 Watt 2835 LEDs
- Cool White (5700-6300K)
- 727 Lumen
- Polycarbonate Lens with plastic housing
- Beam Angle: 120°
- Surface Mount (wire can exit from bottom or end of fixture)
- IP67



#41389

MARINE  
IGNITION  
PROTECTED

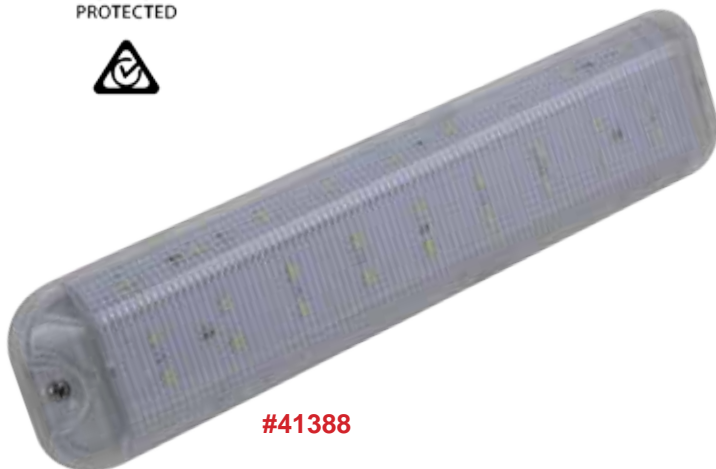


### #41388 E-360

12 V - 13.2 W  
LED Quantity: 36 (4 rows of 9 SMD2835 LEDs)  
Lumen: 1,154  
Protection: IP65

### #41389 E-500

12/24 V - 18 W  
LED Quantity: 50 (5 rows of 10 SMD2835 LEDs)  
Lumen: 1,520



#41388

Protection: IP65

LED Type: SMD5630 Cool White (5,500K-6,300K)  
Beam Angle: 120°

Surface Mount (hardware included)  
Wire can exit from bottom or end of fixture  
Dimensions: 13" L x 2-3/4" W x 1" H

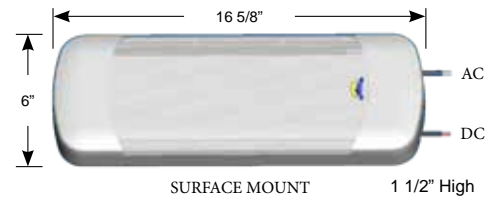
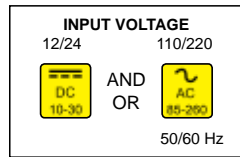
# Engine Room / Utility Lights

## #41593 E-1680 LED Engine Room / Utility Light

This super-bright, vibration resistant LED light meets the expectations of next generation vessels, refits or upgrades. The fixture can be powered by your DC battery system, AC generator/shore power or both. If connected to both, the PC board automatically switches to DC power, when AC power is lost. Meets the Requirements and Standards for SAE J1171. USCG. ABYC & NMMA. Includes trim ring for surface mount installation



- Flush or Surface Mount
- Single or dual voltage
- 30 Watt
- 168 Super-Bright 2835 LEDs
- Cool White (6000K)
- 3400 Lumen (similar to 2 x T8 fluorescent's)
- Beam Angle: 120°
- IP67
- Stainless Steel mounting hardware included
- 3-Year Warranty



## LED Spreader / Deck Lights

---

**NEW**



### Bracket Mount Spreader Light

**#41440P White**

**#41441P Black**

Scandvik's LED Spreader Light is the perfect solution to illuminate your deck or cockpit. Featuring five, daylight white 3W LEDs providing 900 effective lumen output. A white Zytel® composite housing was designed specifically for the rigors of the marine environment. An adjustable stainless steel bracket mounting solution allows you to aim the light where it is needed most. Guaranteed against corrosion, discoloration and water intrusion. Comparable to a 120 watt incandescent bulb. Three year Manufacturers Warranty.

- 12/24 V - 12 W
- UV Resistant Zytel® Nylon Resin housing
- Polycarbonate Lens
- 900 Lumens
- IP68

---

### NEW Compact Size LED Spreader Light

- 12/24 V - 8.4 W
- High Quality Composition Frames
- Polycarbonate Lens
- UV Resistant
- Hidden Mounting Screws
- IP68
- Simple cutout for Flush Mount



**#41436 Flush Mount White**

**#41437 Flush Mount Black**

- 2 x 5 Watt Cree 3535 LEDs
- 500 Lumen
- 4" W x 2-1/2" H x 2" D
- Cutout: 2-3/4" W x 1-5/8" H



**#41435 Bracket Mount**

- 2 x 5 Watt Cree 3535 LEDs
- 500 Lumen
- 4-1/4" W x 2-5/8" H x 2-1/8" D

## LED Spreader / Deck Lights

---



**#41343 Flush Mount with White Trim**

**#41356 Flush Mount with Black Trim**

### **NEW FLUSH MOUNT**

- 12/24 V - 12 W
- High Quality Composition Frame
- Polycarbonate Lens
- UV Resistant
- Hidden Mounting Screws
- Cool white LED color (5,500 - 6,300K)
- Temperature of LED: less than 158° with 77° ambient temperature
- Five 3 Watt Samsung 3535 LEDs
- 900 Lumens
- Equivalent to 120 Watt Halogen bulbs
- LED Lifetime: 50,000 Hours
- LED Beam angle: 110°
- 0.8 Amp draw at 12 Volt
- IP65
- Fits previous model cutout
- Dimensions: 6" W x 2-1/2" H x 1-3/4" D
- Cutout: 4-1/2" W x 1-1/2" H

## Underwater and Dock Lights

# U-12 Underwater LED Light

- #41430P White
- #41431P Blue
- #41432P Green



Installation Video



Thru-Hull Surface Mount  
Requires 3/8" (10mm) Hole



Standoff Block  
(Included)



Standoff Surface Mount  
(Does not require hole  
through transom)



- Copolyester (PCTG) Lens Housing
- 12 X SMD2835 (white & blue) Super Bright LEDs or 5mm High Flux green LEDs
- 414 Lumen (White)
- IP68
- 12 V
- White: 2.3 W, 0.2 A
- 20° Beam Angle provides intense illumination
- Mount with wire thru-hull or wire outside hull using included stand off mounting block
- 5' Cable / SS Screws Included
- Dimensions Thru-Hull Surface Mount: 3-3/8" W x 1-5/8" H x 7/8" D
- Dimensions Standoff Surface Mount: 3-3/8" W x 1-5/8" H x 1-1/4" D

**NEW**



### LED Solar Powered Dock Light

This Dock Light uses solar power to charge the battery during the daytime and turns on automatically at night. The number of hours the Dock Light illuminates depends on your geographical location, weather conditions and season. Mount lights 6 feet apart. SS wood screws included.

**Material:** Polycarbonate housing

**LED Color:** Cool White

**Solar Battery:** 2 V - 0.4 W

**Charge Battery:** NI-MH AAA 650mAH, 1.2 V

**Beam Angle:** 30°

**Operating Temperature:** -4° F ~ 122° F

**Protection:** IP67

**Dimensions:** 4" x 4"

#41750

#41750P 2-Pack

# Courtesy Lights

## Oval LED Courtesy Light with Blue Light

Small size surface mount 2-LED light with Polished 304 Stainless Steel trim. Suitable for interior or exterior installation. Stainless Steel mounting screws included.



- 12 V - 0.4 W
- 0.03 A
- Beam Angle 120°
- 5 Lumens
- IP67
- 1-11/16" W x 1" H x 3/8" D



#41460

## R-5

LED Courtesy lights with polished 316 Stainless Steel trim.

- 12 V - 0.4 W
- 0.03 Amp
- 5 x TOP LEDs
- Surface Mounted
- IP67
- 2-5/8" W x 13/16" H x 1/2" D



Side Illumination



Down Illumination

#41381 Daylight White Side Illumination, 15 Lumen

#41382 Blue Side Illumination, 3.5 Lumen

#41383 Daylight White Down Illumination, 15 Lumen

#41384 Blue Down Illumination, 3.5 Lumen

## O-5

LED surface mount courtesy light. ABS housing with white or stainless steel snap on trim. 5 x 0.4 Watt white LEDs (4,500K) or 5 TOP blue LED's. LED beam angle is 120°. White is 15 lumens and blue is 2.8 lumens. 12 V, IP65. Dimensions 2-7/8" L x 1-1/2" W x 7/16" D.



#41360 White LED with white trim

#41339 Blue LED with white trim

#41361 White LED with 316 Stainless Steel trim

#41362 Blue LED with 316 Stainless Steel trim

## #41371P LED Cockpit Light



- Surface Mount
- Polycarbonate housing and lens
- 5 x 0.5 W Warm White LED
- 128 Lumens
- 12 V - 2 W
- IP-67



## #41372P LED Cockpit Light



- Flush Mount
- Polycarbonate housing and lens
- 5 x 0.5 W Warm White LED
- 128 Lumens
- 12 V - 2 W
- IP-67



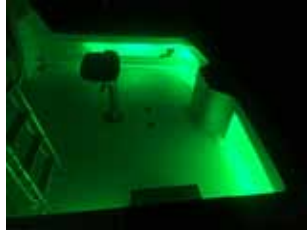
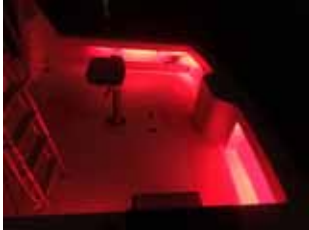
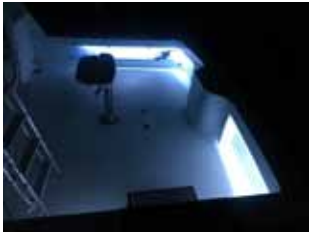
# SCAN-STRIP 4 - Color RGBW LED



16" RGBW SCAN-STRIP (30 LED)



8" RGBW SCAN-STRIP (15 LED)



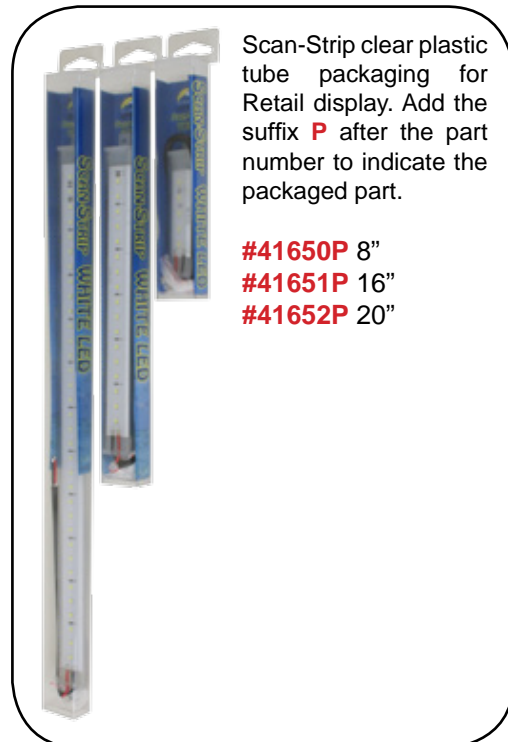
- RGBW LEDs
- Colors Daylight White (5500-6300K), Blue, Red, Green
- Lifespan 30,000 + Hours
- 120° Beam Angle
- 12/24 V (10-30VDC)
- Watts 8" = 1.2
- Watts 16" = 2.4
- Watts 20" = 3.1
- Lumens 8" White = 94
- Lumens 16" White = 180
- Lumens 20" White = 234
- IP65
- Ideal for under gunwale lighting
- SS Mounting Screws Included
- 1-year warranty
- 8" (8-7/8" L x 7/8" W x 1/2" H)
- 16" (16" L x 7/8" W x 1/2" H)
- 20" (20" L x 7/8" W x 1/2" H)

Scan-Strip 4-Color RGBW LED builds on the popularity of our original single color Scan-Strip LED. Simple 2-wire connections with any on/off switch is all that is required to cycle from White to Blue to Red to Green. Switch off for more than 4 seconds resets the color to white.

8" Scan-Strip 15 LEDs  
**#41650** RGBW

16" Scan-Strip 30 LEDs  
**#41651** RGBW

20" Scan-Strip 39 LEDs  
**#41652** RGBW



Scan-Strip clear plastic tube packaging for Retail display. Add the suffix **P** after the part number to indicate the packaged part.

**#41650P** 8"

**#41651P** 16"

**#41652P** 20"



# SCAN-STRIP LED



**4" SCAN-STRIP (5 LED)**



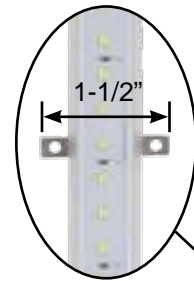
**8" SCAN-STRIP (17 LED)**



**16" SCAN-STRIP (34 LED)**



- NEW Super Bright 2835 LEDs
- Available in Cool White, Blue, Red and Green
- Lifespan 30,000 + Hours
- 120° Beam Angle
- 12 Volt
- Can be installed in engine rooms and exterior locations (IP65)
- Ideal for under gunwale lighting
- SS Mounting Screws Included
- 1-year warranty
- 4" (4" L x 7/8" W x 1/2" H)
- 8" (9" L x 7/8" W x 1/2" H)
- 16" (16-1/8" L x 7/8" W x 1/2" H)
- 36" (36" L x 7/8" W x 1/2" H)



Middle support bracket

**36" SCAN-STRIP (85 LED)**

Scan-Strip LED lighting is a quality product for marine or RV use. Mount them almost anywhere, under gunwales, in storage lockers, coolers, fish boxes, engine rooms. Use below deck in cabin areas for general lighting or courtesy lights.

Scan-Strip clear plastic tube packaging for Retail display. Add the suffix **P** after the part number to indicate the packaged part.

- #41354P** 4" White
- #41357P** 4" Blue
- #41346P** 8" White
- #41347P** 8" Blue
- #41350P** 16" White
- #41351P** 16" Blue
- #41358P** 36" White
- #41359P** 36" Blue

MARINE  
IGNITION  
PROTECTED



4" Scan-Strip 5 LEDs  
**#41354** White (5,500K)  
**#41357** Blue

8" Scan-Strip 17 LEDs  
**#41346** White (5,500K)  
**#41347** Blue

16" Scan-Strip 34 LEDs  
**#41350** White (5,500K)  
**#41351** Blue

36" Scan-Strip 85 LEDs  
**#41358** White (5,500K)  
**#41359** Blue

images are  
not to scale

# LED Flex-Strips

## 12mm Wide Single Color



Thicker durable strip with no adhesive backing. 30 or 60 LED's per meter. 5-meter (16') reels wired at both ends, can be cut to custom lengths. 24 silicone mounting clips and 2 end caps included.

\*Dimmable with optional controller.

Part Number	Color	LED's per meter	Length	Width	Voltage	Dimmable	Protection
<b>41510</b>	Warm White	60	16' (5-meter)	12mm	12 V	Yes*	IP68
<b>41511</b>	Cool White	60	16' (5-meter)	12mm	12 V	Yes*	IP68
<b>41520</b>	Red	30	16' (5-meter)	12mm	12 V	Yes*	IP68
<b>41521</b>	Blue	30	16' (5-meter)	12mm	12 V	Yes*	IP68
<b>41522</b>	Green	30	16' (5-meter)	12mm	12 V	Yes*	IP68
<b>41523</b>	Blue	60	16' (5-meter)	12mm	12 V	Yes*	IP68

## 14mm Wide Dual Color



### TWO COLORS IN ONE STRIP!

Strips can be cut on the cut-marks and sealed with silicone end caps and installed with silicone clips included. Strips can be wired together to make longer runs.

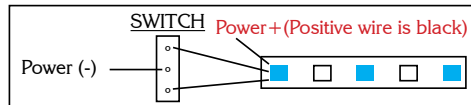
- Wired on both ends
- IP68
- SMD5050 LEDs
- 60 LED/meter
- Blue/Red or Cool White or both together
- 14mm wide
- Requires a double throw (on/off/on) switch



Short Length Kit Retail Package

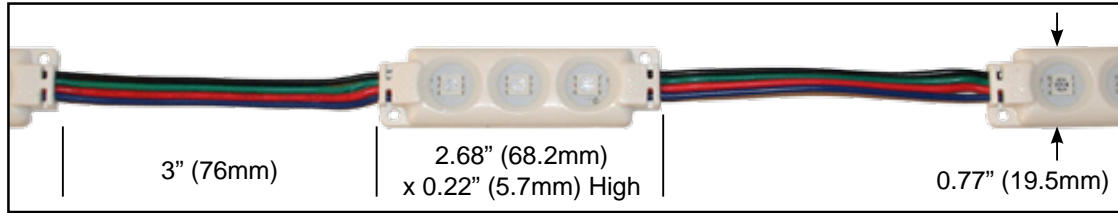


Optional mounting with 41731 14mm Flex-Trak

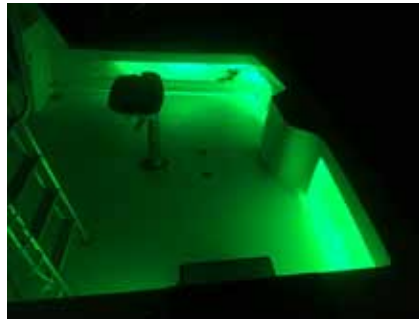


Part Number	Color	Length	Width	Voltage	Dimmable	Protection
<b>41524</b>	Blue-White	16' (5-meter)	14mm	12 V	Yes*	IP68
<b>41525</b>	Red-White	16' (5-meter)	14mm	12 V	Yes*	IP68
<b>41514</b>	Blue-White	21"	14mm	12 V	Yes*	IP68
<b>41515</b>	Red-White	21"	14mm	12 V	Yes*	IP68
<b>41516</b>	Blue-White	48"	14mm	12 V	Yes*	IP68
<b>41517</b>	Red-White	48"	14mm	12 V	Yes*	IP68

## RGB Modules



- Weatherproof Rated IP67
- Shorten length by cutting the four wires between modules
- Lengthen by attaching up to four 20 module lengths together.
- Injection molded housing - Aluminum PCB with full resin sealant
- Three High intensity SMD5050 RGB LED, including Bright White illumination, in each module
- Modules: 0.72 W each
- Twenty RGB LED Module String: 14.4 W - 1.20 A
- Screw hole mounting tabs molded into each module.

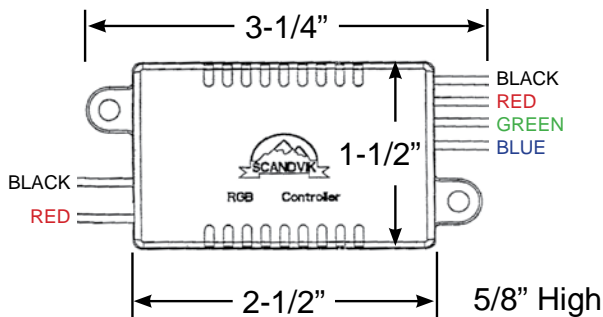


Part #	Description	Length	Voltage	Controller
<b>41580</b>	20 Module String	9'-3"	12 V	
<b>41581</b>	20 Module String with controller and 10M RGB wire	9'-3"	12 V	41606
<b>41582</b>	Two 20 Module Strings with (41606) controller with Rainbow Touch remote and (19061) 10M RGB wire	18'-6"	12 V	41606
<b>41583</b>	20 Module String with (41599) 4-color controller and (19061) 10M RGB wire	9'-3"	12 V	41599
<b>41584</b>	Two 20 Module Strings with (41599) 4-color controller and (19061) 10M RGB wire	18'-6"	12 V	41599

## Accessories

### #41599 LED RGB 4-Color Controller

- Works with any RGB LED Material
- Cycles through: White/Blue/Red/Green with any switch
- 4-Second Reset to White
- 12/24 V - 60 W
- IP67

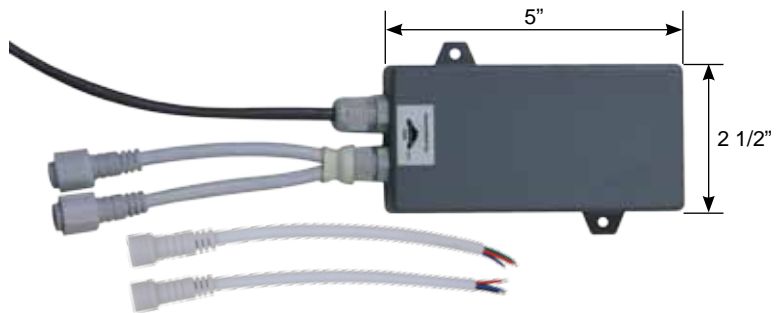
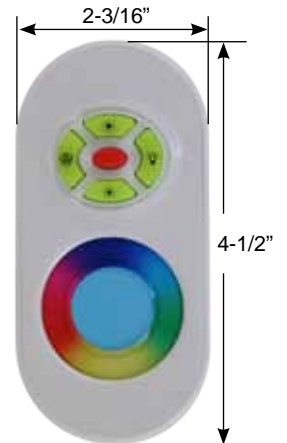


### #41606 RF RGB Controller with Rainbow-Touch Remote

#### #41615 Rainbow-Touch Remote ONLY

The RGB RF Wireless remote control utilizes an advance microprocessor control unit allowing the user to turn the LED Flex-Strip on and off, adjust the color, brightness and dimming and selecting one of 15 programmed lighting modes including flashing, fading and color jump.

- Works with any RGB material
- Technical parameters (controller):
- Input voltage: 12V
- Output control: 3 Circuits (Red, Green, Blue)
- Output Current: 6 A per circuit - 18 total Amps
- Output Power: 72 W per circuit - 216 total Watts
- Operating Temp: -4°F to 140°F
- Rainbow-Touch RF Remote:
- Power Supply: (2) AAA Batteries (Not Included)
- Material: ABS - UV Protected
- Transmit Range: Up to 60 Feet

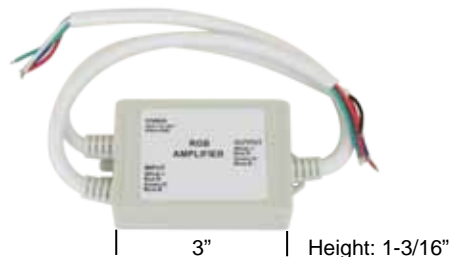


## LED RGB ACCESSORIES

### #19061 10 Meter RGB 20 AWG wire



#41608 Weather proof LED power amplifier. Use between RGBW strings.  
Power: 12V, 4 A per channel  
Input & Output: RGBW channels



# Flex-Strip Accessories



**#41600** 12mm Silicone End Caps  
**#41602** 14mm Silicone End Caps



**#41601** 12mm Silicone Mounting Clips  
**#41603** 14mm Silicone Mounting Clips



**#41607** Wall Mount 12V Dimmer with IR Remote



## FLEX-TRAK

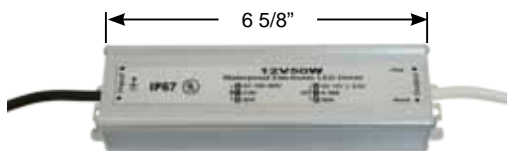
Flex-Trak plastic channel for 12mm and 14mm Flex-Strips  
 Flexible, easily cut to length, pre-drilled, mounting with #4 countersunk screws or double stick tape. Length: 4'.

**#41730** 12mm  
**#41731** 14mm



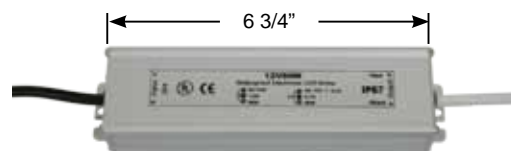
## WATERPROOF ELECTRONIC LED DRIVER POWER SUPPLIES

All are 12 V Output, IP67, UL Rated



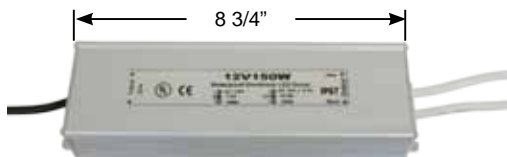
**#41610**

50 W  
 Input: AC 100~265 V - 0.4 A  
 Output: DC 12V - 4.16 A  
 Shipping Weight: 2 lbs.



**#41611**

80 W  
 Input: AC 110 V - 1.0 A  
 Output: DC 12 V - 6.7 A  
 Shipping Weight: 2 lbs.



**#41612**

150 W  
 Input: AC 110 V - 1.6 A  
 Output: DC 12 V - 12.5 A  
 Shipping Weight: 3 lbs.



**#41613**

250 W  
 Input: AC 110 ~ 250 V - 1.2 A  
 Output: DC 12 V - 20  
 Shipping Weight: 3 lbs.





# LED Replacement Bulbs



- Replacement LED in clamshell with information and sell sheet
- Replacements for popular G4, Bayonet, Wedge and Festoon base types
- Available colors: Warm White, Cool White, BLUE, RED, White/BLUE and White/RED
- More than 60% more efficient than incandescent bulbs (very low amp draw)
- Lower temperature than incandescent bulbs



## You Have


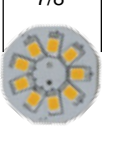
## You Need

 20 W Halogen	<b>MR16 LED</b> <b>41008P</b> Warm White <b>41009P</b> Cool White Lumen: 290 WW Lumen: 320 CW	Volts: 12/24 VDC and 12 VAC Amps: 0.42 @ 12 V 0.21 @ 24 V Watts: 5 Beam Angle: 120° Dimmable: Yes	 2" 1-1/2"
 GU10 LED <b>41114P</b> Warm White <b>41115P</b> Cool White Lumen: 290 WW Lumen: 320 CW	Volts: 120VAC Amps: 0.1 Watts: 5 Beam Angle: 120° Dimmable: Yes	 2" 2-3/16"	



## You Have


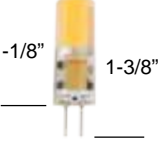
## You Need

 20 W Halogen	<b>G4 Wafer Side-Pin DUAL Color</b> Volts: 12/24 Lumen: 150 WW, 180 CW Amps: 0.14 @ 12 V (White) Watts: 1.7 White, 0.5 Color <b>41050P</b> Warm White / Blue <b>41051P</b> Warm White / Red <b>41052P</b> Cool White / Blue <b>41053P</b> Cool / Red	 1-3/4"
---	--	---



 10 W Halogen	<b>G4 Wafer Back-Pin</b> Volts: 12/24 Lumen: 120 WW, 140 CW Amps: 0.12 @ 12 V, Watts: 1.5 Beam Angle: 120° Dimmable: Yes <b>41000P</b> Warm White <b>41001P</b> Cool White	 7/8"
---	---	---

 20 W Halogen	<b>G4 Tower</b> Volts: 12/24 Lumen: 220 WW, 260 CW Amps: 0.21 @ 12 V Watts: 2.5 Beam Angle: 270° Dimmable: Yes <b>41070P</b> Warm White <b>41071P</b> Cool White	 7/8" 1-3/8" 2-1/8"
---	--	---


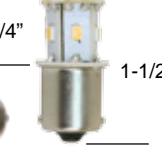
 20 W Halogen	<b>G4 Wafer Back-Pin</b> Volts: 12/24 Lumen: 170 WW, 190 CW Amps: 0.17 @ 12 V, Watts: 2.0 Beam Angle: 120° Dimmable: Yes <b>41010P</b> Warm White <b>41011P</b> Cool White	 1-3/16"
---	---	--

 20 W Halogen	<b>G4 Halogen Look-Alike</b> Volts: 12/24 Lumen: 180 WW, 210 CW Amps: 0.21 @ 12 V Watts: 1.5 Beam Angle: 270° Dimmable: No <b>41072P</b> Warm White <b>41073P</b> Cool White	 7/16" 1-1/8" 1-3/8"
---	--	--


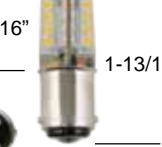
 10 W Halogen	<b>G4 Wafer Side-Pin</b> Volts: 12/24 Lumen: 120 WW, 140 CW Amps: 0.12 @ 12 V Watts: 1.5 White, 1.0 Color <b>41020P</b> Warm White <b>41021P</b> Cool White <b>41022P</b> Blue <b>41023P</b> Red	 7/8" 7/8" WW / CW Blue / Red
---	--	--

 53 or 57	<b>Mini-Bayonet, Mini-Tower Parallel Pins - Single Contact</b> Volts: 12/24 V Base: BA9s Lumen: 100 Amps: 0.12 @ 12 V Watts: 1.5 <b>41075P</b> Warm White	 7/16" 11/16" 1-1/4"
---	---	--

 20 W Halogen	<b>G4 Wafer Side-Pin</b> Volts: 12/24 Lumen: 170 WW, 190 CW Amps: 0.17 @ 12 V Watts: 2.0 <b>41030P</b> Warm White <b>41031P</b> Cool White <b>41032P</b> Blue <b>41033P</b> Red	 1-3/16" 1-3/16" WW / CW Blue / Red
---	---	--

 10 W Halogen	<b>Bayonet Mini-Tower</b> Volts: 12/24 V Base: BA15s Lumen: 170 Amps: 0.16 @ 12V Watts: 1.9 Beam Angle: 270° <b>41034P</b> Warm White	 5/8" 3/4" 1-1/2"
---	--	---

 20 W Halogen	<b>G4 Wafer Side-Pin</b> Volts: 12/24 Lumen: 270 WW, 310 CW Amps: 0.25 @ 12 V Watts: 3.0 Beam Angle: 120° Dimmable: Yes <b>41040P</b> Warm White <b>41041P</b> Cool White	 1-3/8"
---	---	---

 1142 or 1176	<b>Bayonet Tower Parallel Pins - Dual Contacts</b> Volts: 12/24 V Base: BA15d Lumen: 190 WW, 220 CW Amps: 0.21 @ 12 V Watts: 3.0 <b>41080P</b> Warm White <b>41081P</b> Cool White	 5/8" 1-1/16" 1-13/16"
---	---	--

# LED Replacement Bulbs

**You Have**

**You Need**

**Bayonet Tower  
Offset Pins - Dual Contacts** **NEW** | 5/8" |  
Volts: 12/24 V  
Base: BAY15d  
Lumen: 190 WW, 220 CW  
Amps: 0.21 @ 12 V  
Watts: 3.0  
41082P Warm White  
41083P Cool White

**You Have**

**You Need**

**Wedge Base** **NEW** | 7/16" |  
Volts: 12/24 V  
Base: T10 Wedge  
Lumen: 180  
Amps: 0.13 @ 12 V  
Watts: 1.5  
41097P Warm White

**Bayonet Compact-Tower  
Parallel Pins - Single Contact** **NEW** | 5/8" |  
Volts: 12/24 V  
Base: BA15s  
Lumen: 190 WW, 220 CW  
Amps: 0.21 @ 12 V  
Watts: 3.0  
41084P Warm White  
41085P Cool White

**Festoon 360°**  
Base: 30mm Festoon  
Lumen: 115  
Volts: **12V ONLY**  
Amps: 0.1  
Watts: 1.2  
Beam Angle: 360°  
41035 Warm White

**Bayonet Base Wafer  
Parallel Pins - Dual Contacts** | 1" |  
Volts: 12/24 V  
Base: BA15d  
Lumen: 55 WW, 65 CW  
Amps: 0.06 @ 12 V  
Watts: 0.7  
41086P Warm White  
41087P Cool White

**Festoon Wafer**  
Volts: 12/24 V  
Base: 31mm Festoon  
Lumen: 45 WW, 65 CW  
Amps: 0.06 @ 12 V  
Watts: 0.7  
41100P Warm White  
41101P Cool White

**Bayonet Base Wafer  
Offset Pins - Dual Contacts** | 1" |  
Volts: 12/24 V  
Base: BAY15d  
Lumen: 55 WW, 65 CW  
Amps: 0.06 @ 12 V  
Watts: 0.7  
41088P Warm White  
41089P Cool White

**Festoon Wafer 37/42mm**  
Volts: 12/24 V  
Base: 37mm and 42mm Festoon  
Lumen: 75 WW, 90 CW  
Amps: 0.10 @ 12 V, Watts: 1.2  
41102P 37mm Warm White  
41103P 37mm Cool White  
41104P 42mm Warm White  
41105P 42mm Cool White

**Bayonet Base Mini-Tower** | 3/4" |  
Volts: 12/24 V  
Base: BA15d  
Lumen: 170  
Amps: 0.16 @ 12 V  
Watts: 1.9  
Beam Angle: 270°  
41090P Warm White

**Festoon Wafer**  
Volts: 12/24 V  
Base: 42mm Festoon  
Lumen: 140 WW, 160 CW  
Amps: 0.17 @ 12 V  
Watts: 2.0  
41106P Warm White  
41107P Cool White

**Wedge Base Tower**  
Volts: 12/24 V  
Base: T10 Wedge  
Lumen: 220  
Amps: 0.21 @ 12 V  
Watts: 2.5  
Beam Angle: 270°  
Dimmable: Yes  
41092P Warm White

**360° Nav. Festoon**  
Volts: 12/24 V  
Base: 42mm Festoon  
Lumen: 175 WW, 210 CW  
Amps: 0.21 @ 12 V  
Watts: 2.5  
41110P Warm White  
41111P Cool White


**Wedge Base Mini-Tower** | 3/8" |  
Volts: 12/24 V  
Base: T10 Wedge  
Lumen: 75  
Amps: 0.06  
Watts: 0.8  
41095P Warm White

**360° Nav. Barrel**  
Volts: 12/24 V  
Base: 43mm Barrel  
Lumen: 175 WW, 210 CW  
Amps: 0.21 @ 12 V  
Watts: 2.5  
41112P Warm White  
41113P Cool White

# LED Replacement Bulbs



**You Have**


**You Need**



A15 Bulb



**A15 Style Bulb**  
**Volts:** 12/24 V  
**Base:** E27  
**Lumen:** 270  
**Amps:** 0.25 @ 12V  
**Watts:** 3.0  
**Beam Angle:** 150°  
**41036P** Warm White




A19 Bulb

**A19 Style Bulb**  
**Volts:** 12/24 V  
**Base:** E27  
**Lumen:** 450  
**Amps:** 0.46 @ 12V  
**Watts:** 5.5  
**Beam Angle:** 120°  
**41037P** Warm White





**G4 Base Adapters**


**BA15d to G4**  
Swivels up to 120°  
**41120P**



**BA15s to G4**  
Swivels up to 120°  
**41121P**



**E27 to G4**  
Standard Household Edison Socket  
**41122P**



## Retail LED Replacement Bulb/Strip Displays

**#41140** Small Display Bulbs/Strips

**#41144** Small Display Bulbs Only

Overall Dimensions: 30"H x 11"W x 10"D



41140 Qty.	41144 Qty.	SKU	Description
	1	41000P	G4 Back-Pin Wafer 9 LEDs WW
1	1	41010P	G4 Back-Pin Wafer 12 LEDs WW
1	1	41020P	G4 Side-Pin Wafer 9 LEDs WW
1	1	41030P	G4 Side-Pin Wafer 12 LEDs WW
1	1	41032P	G4 Side-Pin Wafer 10 LEDs BLUE
1		41033P	G4 Side-Pin Wafer 10 LEDs RED
1	1	41040P	G4 Side-Pin Wafer 21 LEDs WW
	1	41052P	G4 Side-Pin Wafer 12/3 LEDs COOL WHITE/BLUE
1	1	41070P	G4 Bottom-Pin Compact Tower 18 LEDs WW
1	1	41072P	G4 Bottom-Pin LED WW
	1	41075P	BA9s Mini Tower 5 LEDs WW
	1	41080P	BA15d Tower 18 LEDs WW
	1	41082P	BAY15d Tower 18 LEDs WW
	1	41084P	BA15s Tower 18 LEDs WW
	1	41086P	BA15d Wafer 4 LEDs WW
	1	41090P	BA15d Mini Tower 8 LEDs WW
	1	41095P	T10 Wedge Mini Tower 5 LEDs WW
1	1	41097P	T10 Wedge LED Optic Lens WW
	1	41100P	31mm Festoon 4 LEDs WW
	1	41102P	37mm Festoon 6 LEDs WW
	1	41104P	42mm Festoon 6 LEDs WW
1	1	41106P	42mm Festoon 9 LEDs WW
1	1	41120P	Adapter: BA15d to G4
1	1	41121P	Adapter: BA15s to G4
	1	41122P	Adapter: E27 to G4
1		41346P	8" Scan-Strip WHITE
1		41347P	8" Scan-Strip BLUE
1		41514P	21" DUAL Color COOL WHITE/BLUE
1		41515P	21" DUAL Color COOL WHITE/RED





# Retail LED Replacement Bulb/Strip Displays

- #41141 Large Display Bulbs/Strips
- #41142 Full Large Display Bulbs/Strips
- #41145 Large Display Bulbs Only
- #41146 Full Large Display Bulbs Only

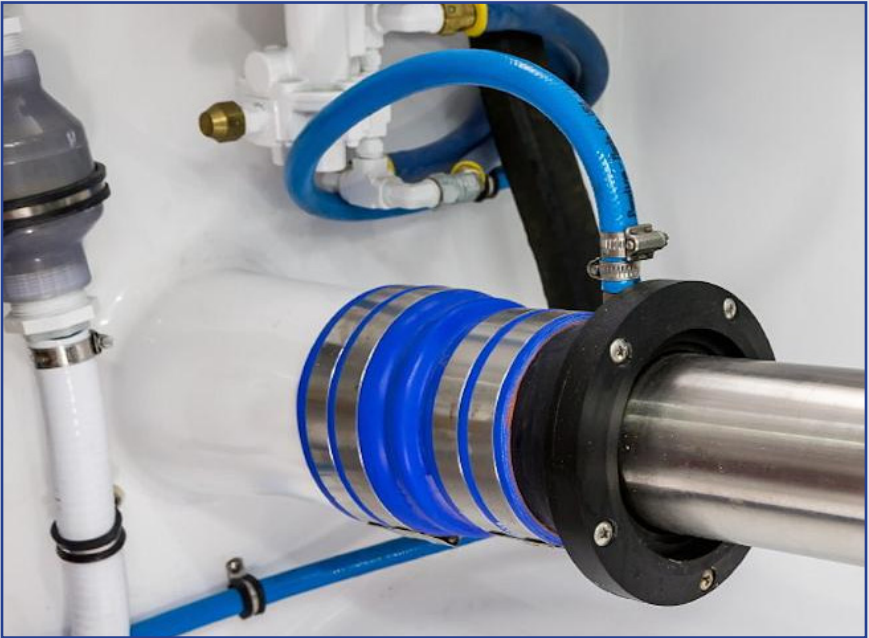
Overall Dimensions: 32"H x 14"W x 10"D

41141	41142	41145	41146	SKU	Description
2	4	4	8	41000P	G4 Back-Pin Wafer 9 LEDs WW
2	2	4	6	41008P	MR16 5 Watt LEDs WW
2	4	4	8	41010P	G4 Back-Pin Wafer 12 LEDs WW
2	5	4	10	41020P	G4 Side-Pin Wafer 9 LEDs WW
4	10	4	10	41030P	G4 Side-Pin Wafer 12 LEDs WW
2	5	2	5	41032P	G4 Side-Pin Wafer 10 LEDs BLUE
2	5	2	5	41033P	G4 Side-Pin Wafer 10 LEDs RED
4	10	4	10	41040P	G4 Side-Pin Wafer 21 LEDs WW
2	5	2	5	41052P	G4 Side-Pin Wafer 12/3 LEDs COOL WHITE/BLUE
2	3	2	4	41070P	G4 Bottom-Pin Compact Tower 18 LEDs WW
2	5	4	10	41072P	G4 Bottom-Pin LED WW
2	5	2	5	41075P	BA9s Mini Tower 5 LEDs WW
2	3	2	4	41080P	BA15d Tower 18 LEDs WW
2	3	2	4	41082P	BAY15d Tower 18 LEDs WW
2	3	2	4	41084P	BA15s Tower 18 LEDs WW
		2	5	41086P	BA15d Wafer 4 LEDs WW
		2	5	41088P	BAY15d Wafer 4 LEDs WW
2	5	4	10	41090P	BA15d Mini Tower 8 LEDs WW
2	3	2	4	41092P	T10 Wedge Compact Tower 18 LEDs WW
2	5	2	5	41095P	T10 Wedge Tower 5 LEDs WW
2	5	2	5	41097P	T10 Wedge LED Optic Lens WW
		4	10	41100P	31mm Festoon 4 LEDs WW
		2	5	41102P	37mm Festoon 6 LEDs WW
		2	5	41104P	42mm Festoon 6 LEDs WW
2	5	4	10	41106P	42mm Festoon 9 LEDs WW
4	10	4	10	41120P	Adapter: BA15d to G4
2	5	2	5	41121P	Adapter: BA15s to G4
2	3	2	4	41122P	Adapter: E27 to G4
2	4			41346P	8" Scan-Strip WHITE
2	4			41347P	8" Scan-Strip BLUE
2	4			41350P	16" Scan-Strip WHITE
2	4			41351P	16" Scan-Strip BLUE

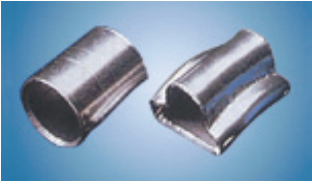


#13001  
23" x 17" Padded counter mat displaying the LED light bulb replacement program. Both original incandescent and replacement LED bulbs are displayed in actual size.

# MARINE GRADE HOSE CLAMPS



**ABA 316 stainless steel clamps are the perfect choice for applications where premium corrosion resistance is required. All parts are made of 316 stainless steel.**



### **All Pressed Worm Gear Housing**

The all pressed worm housing increases the strength of the hose clamp by 30%. Since the radius of each housing is carefully adapted to the relevant hose diameter and due to the smooth transition between housing and band, extremely good compatibility with the shape of the hose is achieved.



### **Intact Grain Structure**

The intact grain structure increases the strength reserve of the clamp and enables you to use an ABA clamp up to ten times. This picture, magnified 10 times, clearly shows how the material in the band is compressed at each ridge of thread without the fibers of the steel being sheared off.



### **Rolled-Up Band Edges**

The rolled-up band edges of the ABA hose clamp prevents it from cutting into the hose and forming such a smooth transition between the edge of the band and the hose that crack formation and fractural impressions are avoided. Consequently even inexpensive hoses last longer. The threads are specially stamped and leave the inside of the clamp completely smooth. The smooth inside of the band eliminates friction between the hose and the band, thus the clamp will seal 360° around.



### **Thread Engagement**

Thread engagement gives strength and reliability. The square threads of the screw are rolled and those on the band stamped by a special process. The 6" thread pitch angle not only gives you a completely vibration-proof clamp but also a clamp which grips the hose more firmly all the way around without calling for more force on the screwdriver.



### **Parts Inspection**

During the manufacturing process, the ABA hose clamp passes through nine series of inspections covering material, tolerances and properties. To give one example, the clamp is test-loaded to predetermined tightening torque. The off-load torque, which should not exceed 1 Nm, is checked on every 50th clamp.

## ABA Mini (W4) 304 SS

A nut-and-bolt hose clamp with rolled edges that is ideally suited for small, thin-walled hydraulic and fuel hose.

### Strong and Durable Materials

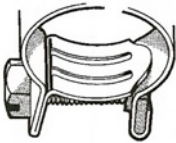
The lug for the screw and nut must be stable enough to resist deformation whenever the nut is tightened. This is why they are made of cold rolled strip stainless steel to Swedish Standard SS 1265.



9mm Band Width

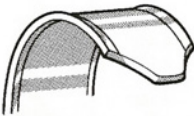
### The Nut Stays Put

The nut is retained in the lug, even when the screw has been removed. Another practical detail is the hexagonal screw head, which may be tightened using the ABA flexible socket driver.



### Reinforced Band Tongue

The band tongue is designed with a formed section to prevent it from being deformed and causing leakage.



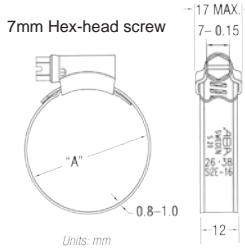
### Small Size But Big Demands

This was the concept when designing the ABA Mini Clamp. As a result, the Mini features several well-known ABA characteristics including the rounded edges that ensure the clamp grips the hose firmly but gently.

Packaging		Size mm	Clamping Range		Band Width
Bag of 50	Box of 10		Inches	mm	mm
22008	13508	8	19/64 - 21/64	7.5 - 8.5	9
22009	13509	9	21/64 - 3/8	8.5 - 9.5	
22010	13510	10	3/8 - 7/16	9.5 - 11	
22011	13511	11	13/32 - 15/32	10.5 - 12	
22012	13512	12	29/64 - 33/64	11.5 - 13	
22013	13513	13	1/2 - 35/64	12.5 - 14	
22014	13514	14	17/32 - 19/32	13.5 - 15	
22015	13515	15	37/64 - 5/8	14.5 - 16	
22016	13516	16	19/32 - 43/64	15 - 17	
22017	13517	17	5/8 - 45/64	16 - 18	

## ABA Original (W5) 316 SS

Clamp with a one-piece housing and embossed worm-drive band with rolled edges. This industry leader out performs and outlasts the competition!



Packaging		SAE Size	Clamping Range		Band Width mm	Tightening Torque Inch - Lbs.
Bag of 50	Box of 10		Inches	mm		
13014	13614	3	5/16 - 9/16	8 - 14	9	20 - 35
13017	13617	4	7/16 - 11/16	11 - 17		
13020	13620	6	1/2 - 13/16	13 - 20		
13024	13624	8	5/8 - 1	15 - 24		
13028	13628	10	3/4 - 1 1/8	19 - 28		
13032	13632	12	7/8 - 1 1/4	22 - 32		
13038	13638	16	1 1/16 - 1 1/2	26 - 38		
13044	13644	20	1 1/4 - 1 3/4	32 - 44	12	35 - 45
13050	13650	24	1 1/2 - 2	38 - 50		
66057	13657	28	1 1/4 - 2 1/4	32 - 57		
66064	13664	32	1 1/2 - 2 1/2	38 - 64		
66070	13670	36	1 3/4 - 2 3/4	44 - 70		
66076	13676	40	2 - 3	51 - 76		
66083	13683	44	2 1/4 - 3 1/4	57 - 83		
66089	13689	48	2 1/2 - 3 1/2	64 - 89		
66095	13694	52	2 3/4 - 3 3/4	70 - 95		
66102	13696	56	3 - 4	76 - 102		
66108	13697	60	3 1/4 - 4 1/4	83 - 108		
66114	13698	64	3 1/2 - 4 1/2	89 - 114		
66127	13699	72	3 1/2 - 5	89 - 127		
EACH	Bag of 10					
66140	66140P	80	4 - 5 1/2	102 - 140		
66152	66152P	88	4 1/2 - 6	114 - 152		
66165	66165P	96	5 - 6 1/2	127 - 165		
66178	66178P	104	5 1/2 - 7	140 - 178		
66191	n/a	112	6 - 7 1/2	152 - 191		
66203	n/a	120	6 1/2 - 8	165 - 203		
66216	n/a	128	7 - 8 1/2	178 - 216		
66232	n/a	138	7 5/8 - 9 1/8	194 - 232		
66257	n/a	154	8 5/8 - 10 1/8	219 - 257		
66283	n/a	170	9 5/8 - 11 1/8	244 - 283		
66308	n/a	186	10 5/8 - 12 1/8	270 - 308		

# BREEZE 316 STAINLESS STEEL CLAMPS

## Breeze Mini, 316 SS

A lightweight, streamlined hose clamp generally used in small diameter applications such as air and fuel lines. 5/16" band with engineered perforations, three-piece construction, SAE standard J1508 type M, 1/4" hex screw, 5/16" band and one-piece housing all in 316 stainless steel. Made in the USA!



Band Width: 5/16"  
Hex Screw: 1/4"

Packaging	SAE	Clamping Range		Band Width
		Inches	mm	inch
Box of 10				5/16
50010	4	7/32 - 5/8	6 - 16	
50011	6	7/16 - 25/32	11 - 20	
50012	8	1/2 - 29/32	13 - 23	
50013	10	9/16 - 1-1/16	14 - 27	
50014	16	15/16 - 1-1/2	24 - 38	
50015	20	1-3/16 - 1-3/4	30 - 44	
50016	24	1-7/16 - 2	37 - 51	
50017	28	1-11/16 - 2-1/4	43 - 57	

## Breeze Power-Seal®, 316 SS

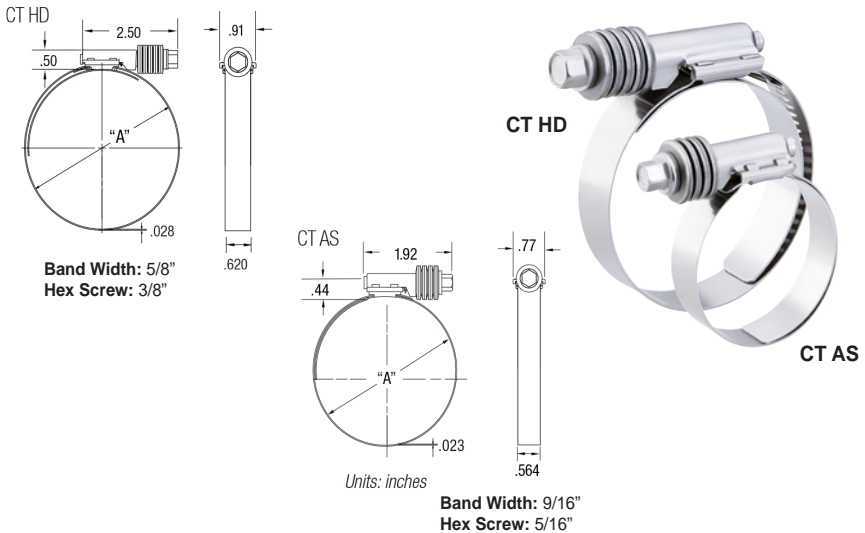
A general purpose marine quality worm-drive hose clamp with engineered perforations for added strength. 1/2" band with engineered perforations, quadra-lock construction, SAE standard J1508 type F, 5/16" hex screw, 1/2" band and two-piece housing all in 316 stainless steel. Made in the USA!



Band Width: 1/2"  
Hex Screw: 5/16"

Packaging	SAE	Clamping Range		Band Width
		Inches	mm	inches
Box of 10				1/2
50030	6	7/16 - 25/32	11 - 20	
50031	8	1/2 - 29/32	13 - 23	
50032	10	9/16 - 1-1/16	14 - 27	
50033	12	11/16 - 1-1/4	17 - 32	
50034	16	13/16 - 1-1/2	21 - 38	
50035	20	13/16 - 1-3/4	21 - 44	
50036	24	1-1/16 - 2	27 - 51	
50037	28	1-5/16 - 2-1/4	33 - 57	
50038	32	1-9/16 - 2-1/2	40 - 64	
50039	36	1-13/16 - 2-3/4	46 - 70	
50040	40	2-1/16 - 3	52 - 76	
50041	44	2-5/16 - 3-1/4	59 - 83	
50042	48	2-9/16 - 3-1/2	65 - 89	
50043	52	2-13/16 - 3-3/4	71 - 95	
50044	56	3-1/16 - 4	78 - 102	
50045	60	3-5/16 - 4-1/4	84 - 108	
50048	72	1-7/8 - 5	48 - 127	
50049	80	2-1/2 - 5-1/2	64 - 140	

# BREEZE CONSTANT-TORQUE® CLAMPS



## Breeze Constant-Torque® Clamps

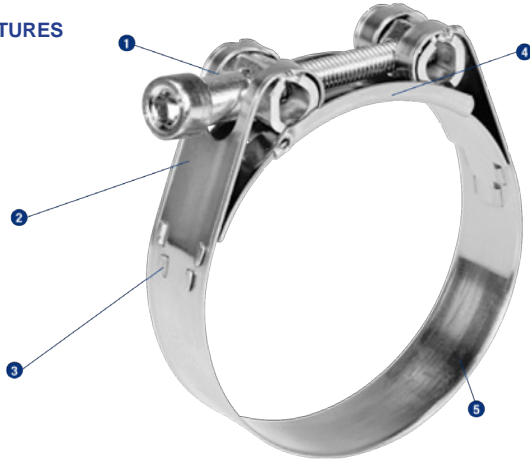
A worm drive hose clamp that automatically increases or decreases diameter due to changes in temperature. Extended inner liner, constant-tension performance, SAE standard J1508 type SLF & SLHD, 410 stainless steel hex screw, 300-series stainless steel band and stainless steel Belleville washers. Made in the USA!

Type	Packaging	SAE	Clamping Range		Band Width
	Box of 10		Inches	mm	inches
CT AS	50200	10	9/16 - 1-1/16	14 - 27	9/16
	50201	16	13/16 - 1-1/2	21 - 38	
	50202	24	1-1/16 - 2	27 - 51	
CT HD	50203	212	1-1/4 - 2-1/8	32 - 54	5/8
	50204	262	1-3/4 - 2-5/8	45 - 67	
	50205	312	2-1/4 - 3-1/8	57 - 79	
	50206	362	2-3/4 - 3-5/8	70 - 92	
	50207	412	3-1/4 - 4-1/8	83 - 105	
	50208	462	3-3/4 - 4-5/8	95 - 118	
	50209	512	4-1/4 - 5-1/8	108 - 130	
	50210	562	4-3/4 - 5-5/8	121 - 143	
	50211	612	5-1/4 - 6-1/8	133 - 156	
	50212	662	5-3/4 - 6-5/8	146 - 168	
	50213	712	6-1/4 - 7-1/8	159 - 181	
	50214	762	6-3/4 - 7-5/8	172 - 194	
	50215	812	7-1/4 - 8-1/8	184 - 206	
	50216	862	7-3/4 - 8-5/8	197 - 219	
50217	912	8-1/4 - 9-1/8	210 - 232		

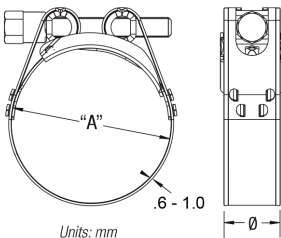
## Heavy-Duty GBS (W5) SS

Heavy Duty low profile bolt clamps. Particularly suited for sealing exhaust, pressure or suction lines with plastic or steel inserts and high shore hardness values. Their distinguishing feature is the extremely high band tensile force. Assembly is easily completed by means of either manual, pneumatic or electric standard tools.

### TECHNICAL FEATURES



1. New specially designed 6mm hexagonal socket screw with integrated spacer = improved efficiency.
2. Reinforced loops = allow to withstand significantly higher torques.
3. Mechanically locked closure = no welding points, no contact corrosion.
4. Bridge = optimal hose protection.
5. Robust band with rounded edges = protection against injuries and damage to the hose surface.



- Band, Screw & Housing: High Grade Stainless Steel throughout (1.4401/AISI 316)
- Hollow Trunnions
- Diameter Range: 1 1/16" - 12" (17mm - 304mm)
- Available in 4 Band Widths: 18mm - thickness 0.6mm, 20mm - thickness 0.8mm, 25mm - thickness 1.0mm and 30mm - thickness 1.0mm
- Recommended tightening torque: 18mm band = 8 Nm, 20mm band = 10 Nm, 25mm band = 20 Nm, 30mm band = 25 Nm
- Fracture torque: 18mm band = 15 Nm, 20mm band = 20 Nm, 25mm band = 30 Nm, 30mm band = 45 Nm.



## Heavy-Duty GBS (W5) SS

<b>EACH</b>	<b>Packaging</b>	<b>Clamping Range</b>		<b>Band Width</b>	
<b>Part #</b>	<b>Box of 10</b>	<b>Inches</b>	<b>mm</b>	<b>Inches</b>	<b>mm</b>
67000	67100	11/16 - 3/4	17 - 19	11/16	18
67001	67101	3/4 - 13/16	19 - 21		
67002	67102	13/16 - 7/8	21 - 23		
67003	67103	7/8 - 1	23 - 25		
67004	67104	1 - 1 1/16	25 - 27		
67005	67105	1 1/16 - 1 1/8	27 - 29		
67006	67106	1 1/8 - 1 1/4	29 - 31		
67007	67107	1 1/4 - 1 5/16	31 - 34		
67008	67108	1 5/16 - 1 7/16	34 - 37		
67009	67109	1 7/16 - 1 9/16	37 - 40		
67010	67110	1 9/16 - 1 11/16	40 - 43		
67011	67111	1 11/16 - 1 7/8	43 - 47		
67012	67112	1 7/8 - 2	47 - 51		
67013	67113	2 - 2 3/16	51 - 55		
67014	67114	2 3/16 - 2 5/16	55 - 59		
67015	67115	2 5/16 - 2 1/2	59 - 63		
67016	67116	2 1/2 - 2 11/16	63 - 68		
67017	67117	2 11/16 - 2 7/8	68 - 73	1	25
67018	67118	2 7/8 - 3 1/8	73 - 79		
67019	67119	3 1/8 - 3 3/8	79 - 85		
67020	67120	3 3/8 - 3 9/16	85 - 91		
67021	67121	3 9/16 - 3 13/16	91 - 97		
67022	67122	3 13/16 - 4 1/8	97 - 104		
67023	67123	4 1/8 - 4 7/16	104 - 112		
67024	67124	4 7/16 - 4 3/4	112 - 121		
67025	67125	4 3/4 - 5 1/8	121 - 130		
67026	67126	5 1/8 - 5 1/2	130 - 140		
67027	67127	5 1/2 - 5 7/8	140 - 150		
67038	67138	5 7/8 - 6 3/8	150 - 162	1 3/16	30
67028	67128	6 3/8 - 6 7/8	162 - 174		
67029	67129	6 7/8 - 7 3/8	174 - 187		
67030	67130	7 3/8 - 7 7/8	187 - 200		
67031	67131	7 7/8 - 8 3/8	200 - 213		
67032	67132	8 3/8 - 8 7/8	213 - 226		
67033	67133	8 7/8 - 9 3/8	226 - 239		
67034	67134	9 3/8 - 9 15/16	239 - 252		
67035	67135	9 15/16 - 10 7/16	252 - 265		
67036	67136	10 7/16 - 11	265 - 278		
67037	67137	11 1/2 - 12	291 - 304		

## ABA Rubber Lined (W4) SS



### Vibration Dampening Support

To properly guard sensitive items from damage due to vibration use ABA Rubber Lined Clamps. Ideal for pipes, cables , groups of cables, hoses, etc. The clamp is made of 304 stainless steel with a rubber liner that also protects the band edges. Impacts and vibrations are dampened by the rubber which also eliminates wear and tear.

### Applications

ABA rubber lined clamps are used in the automotive and marine industries, mechanical and apparatus construction, electrical, hydraulic and pneumatic engineering, process industries, shipbuilding, refrigeration and freezing plants, etc.

Packaging		Clamping Range		Band Width
Bag of 50	Box of 10	Inches	mm	mm
32301	13301	3/16	5	12
32302	13302	1/4	6	
32303	13303	5/16	8	
32304	13304	3/8	10	
32305	13305	7/16	11	
32306	13306	1/2	13	
32307	13307	9/16	14	
32308	13308	5/8	16	
32310	13310	3/4	19	
32312	13312	7/8	22	
32314	13314	1	25	
32316	13316	1 1/8	29	
32318	13318	1 1/4	32	
32320	13320	1 3/8	35	
32322	13322	1 1/2	38	
32323	13323	1 3/4	45	

# ABA Clamp Assortments / Accessories



## Counter Top Display Rack

Contains 240 assorted ABA 316 Original and 304 Mini stainless steel hose clamps.

**Dimensions:** 23 1/4"W x 12 1/2"H x 7"D

**Shipping Weight:** 17 Lbs.

**#31604** Rack with 316 Stainless Steel and 304 Mini Clamps

**#24401** Display Rack Only

Clamp #	Quantity	Range mm	SAE Size
13014	12	8 - 14	3
13017	12	11 - 17	4
13020	12	13 - 20	6
13024	12	15 - 24	8
13028	12	19 - 28	10
13032	12	22 - 32	12
13038	12	26 - 38	16
13044	12	32 - 44	20
13050	12	38 - 50	24
66057	12	32 - 57	28
22008	12	7.5 - 8.5	8 mm
22009	12	8.5 - 9.5	9 mm
22010	12	9.5 - 11	10 mm
22011	12	10.5 - 12	11 mm
22012	12	11.5 - 13	12 mm
22013	12	12.5 - 14	13 mm
22014	12	13.5 - 15	14 mm
22015	12	14.5 - 16	15 mm
22016	12	15 - 17	16 mm
22017	12	16 - 18	17 mm



## Flexible 7mm Socket Drivers

**#60002** 10" Length

**#60003** 24" Length

## Blue Clamp Tail Sleeves



**#31601P** 5/16" 25 Pack

**#31611P** 1/2" 25 Pack

**#31602P** 5/16" 100 Pack

**#31612P** 1/2" 100 Pack



## Cruiser Pack

Contains 56 assorted ABA 316 stainless steel clamps and 1 #60002 Flexible nut driver

**Dimensions:** 14" L x 9" W x 2" D

**Shipping Weight:** 5 Lbs.

**#31606** Plastic Case with 316 Original Stainless Steel Clamps

Clamp #	Quantity	SAE Size
13017	10	4
13020	10	6
13028	10	10
13038	10	16
13050	8	24
66064	8	32



## Hose Clamp Suitcase

Contains 250 assorted ABA 316 Original stainless steel hose clamps and 1 #60002 Flexible nut driver

**Dimensions:** 18 3/8"W x 12 1/4"L x 3"D

**Shipping Weight:** 17 Lbs.

**#31605** Case with 316 Stainless Steel Clamps

**#10730** Assortment Case Only

Clamp #	Quantity	Range mm	SAE Size
13014	50	8 - 14	3
13017	40	11 - 17	4
13020	40	13 - 20	6
13024	25	15 - 24	8
13028	25	19 - 28	10
13032	20	22 - 32	12
13038	15	26 - 38	16
13044	15	32 - 44	20
13050	10	38 - 50	24
66057	10	32 - 57	28

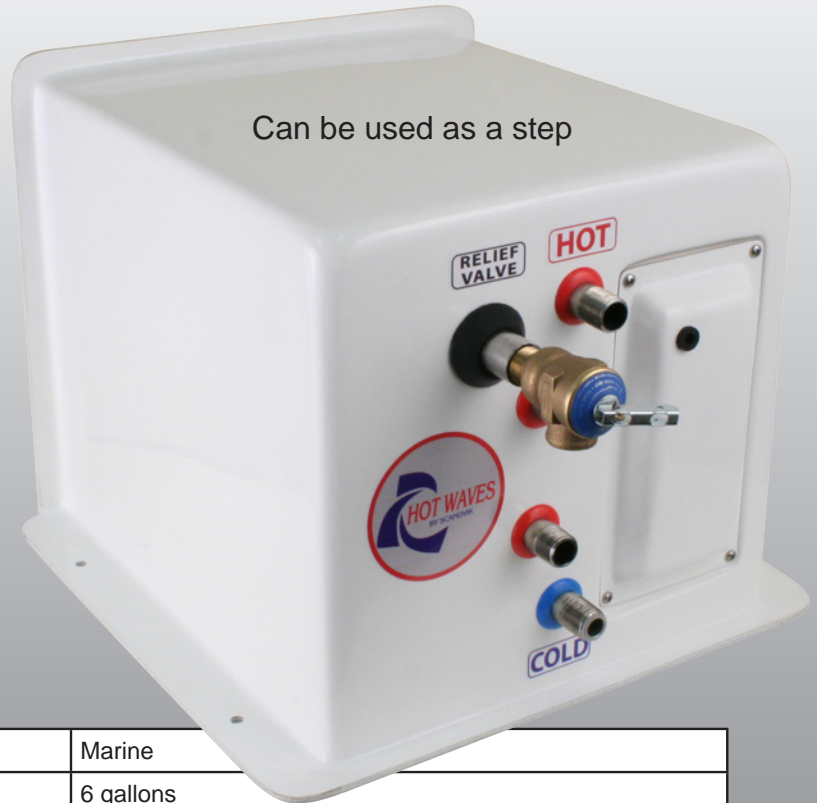
# ABFA



- NO WELDS
- VIBRATIONS PROOF
- ROLLED BAND EDGES
- NON PERFORATED BAND
- 30% STRONGER HOUSING
- 100% AISI 316 SS ACID RESISTANT
- OUTPERFORMS AND OUTLASTS THE COMPETITION!



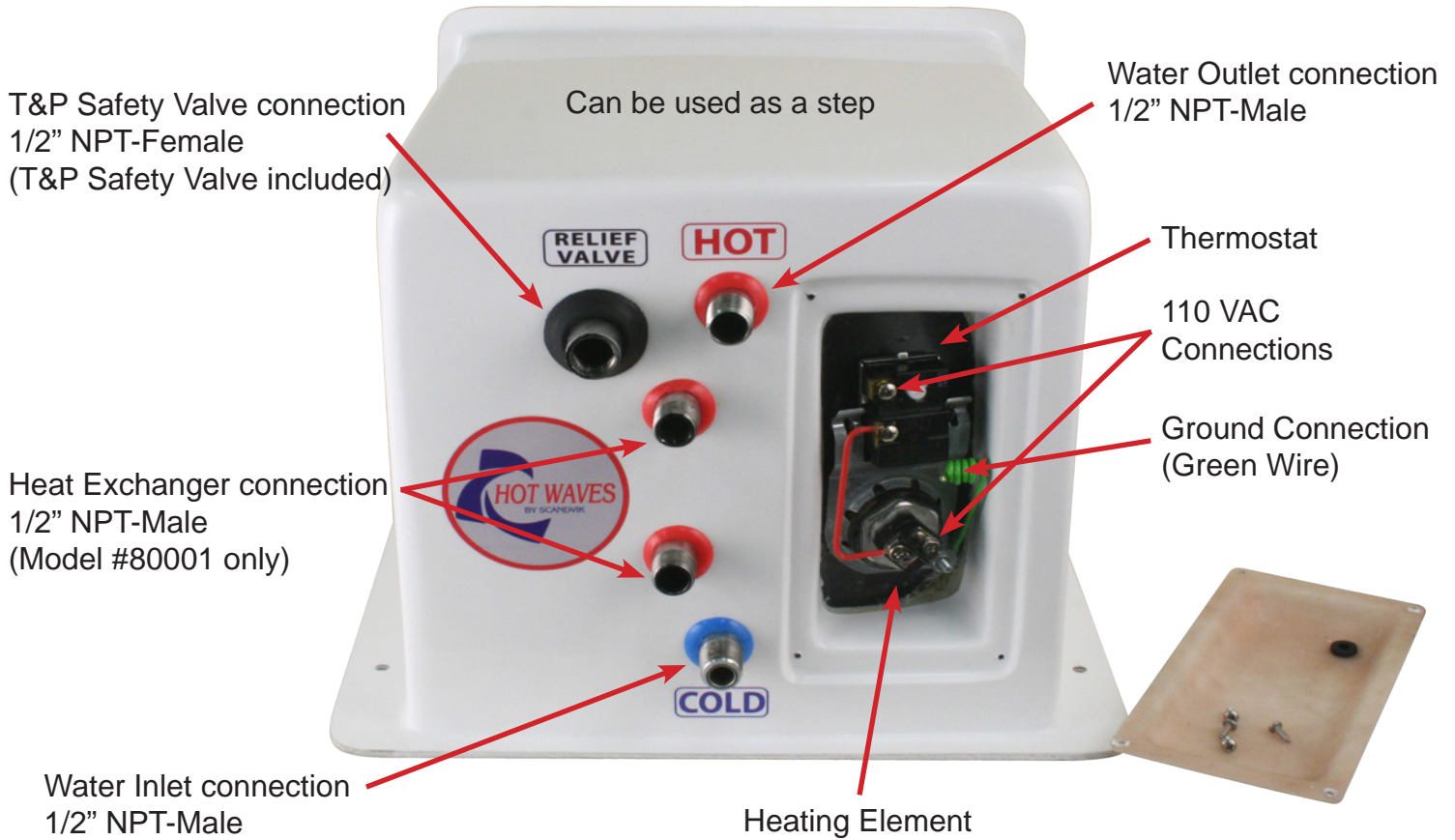
# Marine Water Heater User Guide



**#80000** W/O Heat Exchanger, 110V

**#80001** With Heat Exchanger, 110V

<b>Application</b>	Marine
<b>Capacity</b>	6 gallons
<b>Internal tank material carbon steel hot roll ASTM-A36</b>	Caps and cylinder thickness 2.4mm
<b>Internally Coated</b>	This protection provides a bond with the metal substrates and excellent corrosion protection. Powder coating Dupont, Alestal ELW505S9, in accordance with FDA standards
<b>External cover fiberglass / gelcoat color white</b>	Resistant to corrosion and marine environment / can be used as step
<b>Polyurethane foam insulation</b>	To reduce heat loss
<b>Inner surface preparation Sand-blasting with metal Particles Type SSPC-10</b>	Clean the inner surface of carbon, oil and corrosion and prepares for implementation of epoxy
<b>Sacrificial magnesium anode</b>	Provides corrosion protection that extends the life of the tank
<b>Inlet / outlet water connections</b>	1/2" NPT-male
<b>Pressure / temperature safety valve coupling</b>	1/2" NPT-female
<b>Pressure / temperature safety valve</b>	210° F and/or 150 psi. Located on the front of the tank the T&P valve is included
<b>Maximum Operating Pressure</b>	125 psi
<b>Recovery time (<math>\Delta T</math>: 45°F)</b>	25 minutes to raise water temperature 45° F
<b>Threaded heating element</b>	110 VAC, 1500 W (available in various wattages and volt-ages)
<b>Ignition protected fixed limit thermostat</b>	Temperature adjustment (Low, Medium, High)
<b>Standard engine heat exchanger formed stainless steel</b>	Continuous 316 SS tubing, no internal joints
<b>UL &amp; CSA Approvals</b>	T&P Valve, Thermostat and Heating Element
<b>Warranty</b>	2-year full warranty, 5-year warranty on tank



Dimensions: 15-5/8" Wide x 12-3/4" High x 15-5/8" Deep  
(19-7/8" Deep with T&P Safety Valve installed)  
Empty Weight: 28 lbs.

12 Amps at 110 VAC



Warning: Fill tank with water before turning on water heater to avoid damage to the heating element.

Recommended Service: Inspect/Replace Anode every 3 - 4 years.

### Replacement Parts

**#80010:** Heating Element (110 VAC, 1500 W)

**#80011:** Thermostat

**#80012:** Anode (Magnesium) on back of tank

MADE IN COSTA RICA





## LINEAR ACTUATORS



## Linear Actuators

We produce and supply a wide range of **electrically powered struts** to suit **many different applications** in addition to lifting engine covers and hatches. Our struts are being used to **lift** tables and steer consoles, to **slide** open roofs, as well as to **hide** barbecues and TV's after use. You can see them **converting** beds at the touch of a switch and even sliding security bars into position behind exposed windows! No limit to the imagination... Different solutions are available to get the most appropriate device for the specific job, with **thrusts from 120 to 2,200 lbs, strokes from 2" to 9-1/2 ft., speed from 0.1 to 1.4 inches/sec** on either **12 or 24 Volt DC** supply. Both "**push only**" and "**push/pull**" versions are available, with or without encoder. But what all our struts have in common is having been designed and built to work in the **marine environment with an IP65 rating**: their structure of anodized light alloy protects the motor and the mechanical components from spray and salt. Replacement parts and repair service available at Scandvik!

To select the appropriate strut suitable for your needs, you have to consider several factors. For instance, if the purpose is to raise a hatch that is the only access to the compartment, we would advise using the "push-only" versions as these permit manual opening in the event of power breakdown. Otherwise an emergency access will have to be provided in order to, at least, unbolt the strut. Other factors to be considered are the point and the angle of thrust that significantly affect the effort required. Moreover, if the lift reaches the tipping point, you must use a "push/pull" version that allows for the opening and closing by the strut. **For more details** please request our instructions. The installation of a pair of struts to work together without encoder is possible only if both the struts required the same effort, otherwise it is necessary to choose the synchronized version with encoder. The pairs must be ordered as such: it is not possible to couple struts supplied as singles.



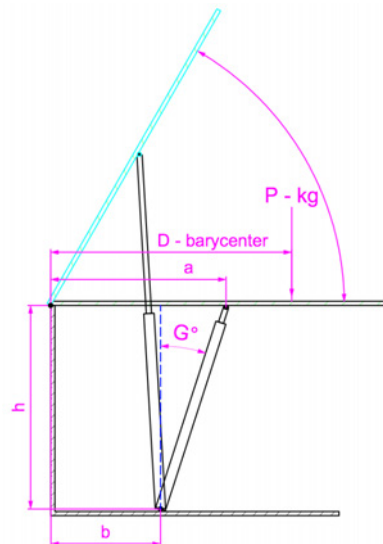


## Linear Actuators

### Calculation of the thrust needed at the point of leverage.

The thrust required to open a hatch by means of an actuator depends on the point of the leverage and the weight of the hatch itself. As an example, we provide the data for a rectangular hatch of uniform construction, which is located in a horizontal position when closed. The weight is 220 lbs. Hinged on one side that is 3'-4" from the opposite side. The thrust required to lift varies as follows depending on the distance of the point of thrust of the actuator from the hinges "a" and the angle "G°" that it forms with the perpendicular:

G°	40" (a)	20" (a)	9" (a)	5" (a)
0°	110 lbs	220 lbs	441 lbs	882 lbs
30°	126 lbs	254 lbs	507 lbs	1,014 lbs
45°	156 lbs	313 lbs	626 lbs	1,252 lbs
60°	220 lbs	441 lbs	882 lbs	1,764 lbs



**It is evident that the thrust varies greatly according to the chosen assembly**, and that the most favorable conditions are obtained by applying the thrust point as far away as possible from the hinges and with the actuator in a position perpendicular to the closed hatch. For those who wish to proceed to the calculation, the formula for obtaining the necessary thrust for lifting is the following:

$$F = (P * D) / b$$

where **F** is the force required for lifting in pounds, **P** is the weight in pounds of the hatch including everything integral with it, and **D** is the distance of the center of gravity of the hatch from the hinges and **b** is the distance of the point of thrust from the hinges. In most common cases, when the hatch has a rectangular shape and constant density, **D** is simply equal to half the distance between hinges and opposite end of the hatch. In more complicated cases, such as when objects are mounted on the hatch such as seats or more, you can find **D** empirically by resting the hatch on a shaft parallel to the axis of rotation of the hinges (after detaching the hinges) to identify the center of gravity.

The formula for the thrust required of the actuator is a function with respect to the vertical.

$$F / \cos G^\circ$$

Where "G°" is the angle of the actuator relative to the vertical when it is closed.

In practice the force **F** obtained by the first formula to be multiplied by the following values:

$$15^\circ = 1.035 \quad 30^\circ = 1.15 \quad 45^\circ = 1.42 \quad 60^\circ = 2.0 \quad 75^\circ = 3.86$$

When calculating the necessary thrust, take into account the friction caused by the hinges, increasing the value obtained by 20%.

In the case where superstructures, such as seats, console, etc., are mounted on the hatch, presents another problem. When the opening angle exceeds the point where the perpendicular to the center of gravity falls outside the hatch, this will increase the opening without need for further thrust. You will then have to use a push-pull actuator to "pull" the door being closed.

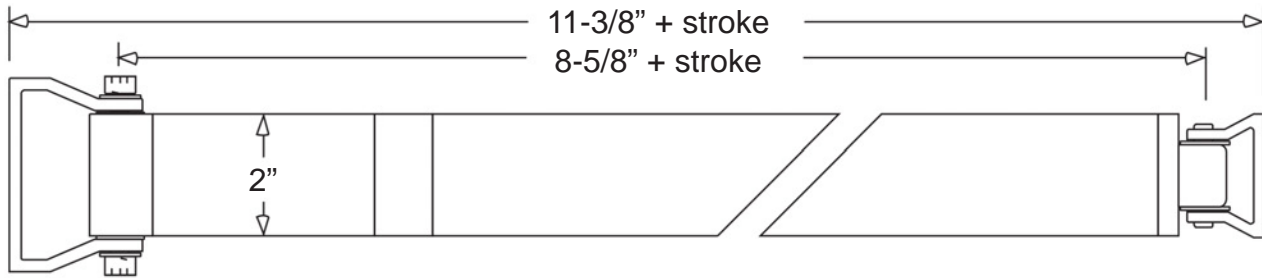
#### **The possible use of two parallel actuators (Coupled) to lift hatches or doors.**

Large, heavy hatches or doors can be lifted on both sides by two paired actuators. It is important ensure that the actuators have the same speed during operation. The speed depends on the load, so if the two actuators are carrying a different load, the speed will always be different. Encoded controlled actuators are available to synchronize the motion of two actuators, regardless of the load differential. Not all models can be controlled synchronously. Only the customer can determine which solution is applicable.

# Linear Actuators

## THRUST 220 LBS.

Inch Dimension + stroke = length of strut closed + stroke = length of strut extended



#40121	Push-Pull	with magnetic end of stroke	Stroke 19"	12 Volt
#40124	Push-Pull	Encoded	Stroke 19"	12 Volt
#40125	Push-Pull	with magnetic end of stroke	Stroke 36"	12 Volt
#40126	Push-Pull	Encoded	Stroke 36"	12 Volt

Cylinder, piston and brackets in anodized Aluminum.

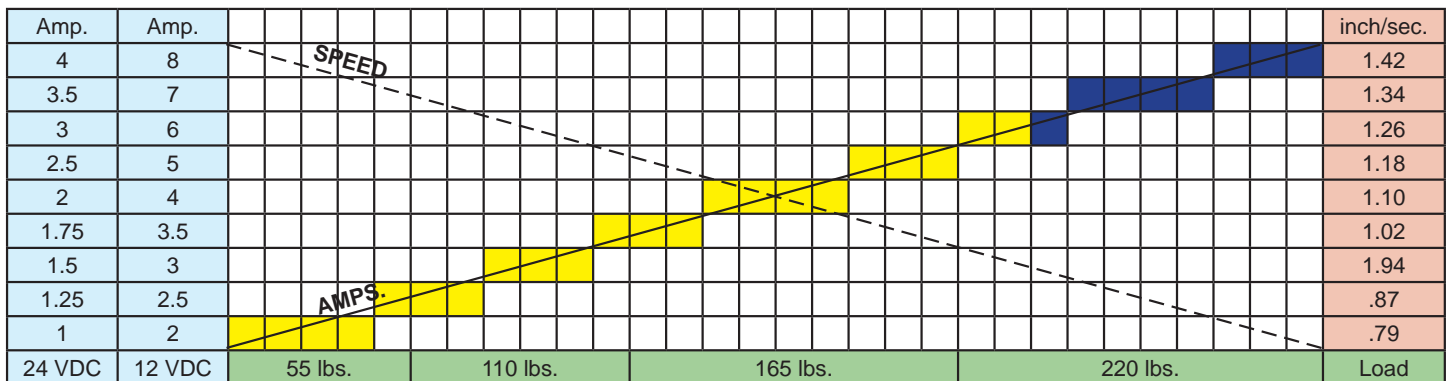
**HIGH SPEED VERSIONS:** Ideal for handling structures with long stroke due to their high travel speed, not suitable for lifting. It is essential that long struts are properly supported if positioned horizontally to prevent flex.

**Magnetic End of Stroke:** Adjustable magnetic pick-up sensors can be placed at the appropriate locations along the cylinder to stop the movement of the piston in both directions.

**Encoder:** Struts for installation in pairs, equipped with encoded electronics and control unit to obtain a perfect synchronization, even when subject to different loads. It is possible to store up to four different and independent end positions, pre-set by the user at the time of installation, selectable with just a short press of a single button. Can also be used individually when such a precise movement is required, defining a different points of start and end of stroke. Comes with backlit push button control and programming control box.

- Push-Pull Versions allows the same power in both directions (in and out).
- Push-Only Versions allows to lift the struts by hand in case of lack of power or breakdown.
- Available as a pair.
- Supplied with an electronic control box for each strut to control and protect against overloads.
- It's necessary to add a 3 positions switch with automatic return to the OFF state.
- Available for 12 or 24VDC power.
- Available with strokes ranging between 4" and 114".

### 220 LB. CAPACITY

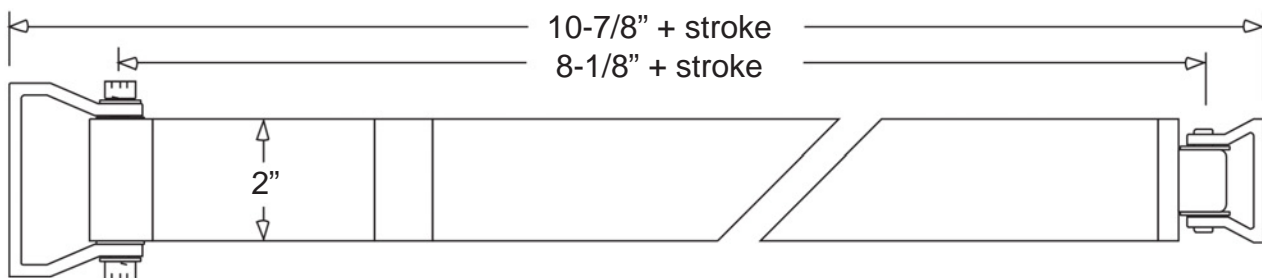


Max. 4 cycles/10 minutes
  Max. 2 cycles/10 minutes

# Linear Actuators

## THRUST 330 LBS.

Inch Dimension + stroke = length of strut closed + stroke = length of strut extended

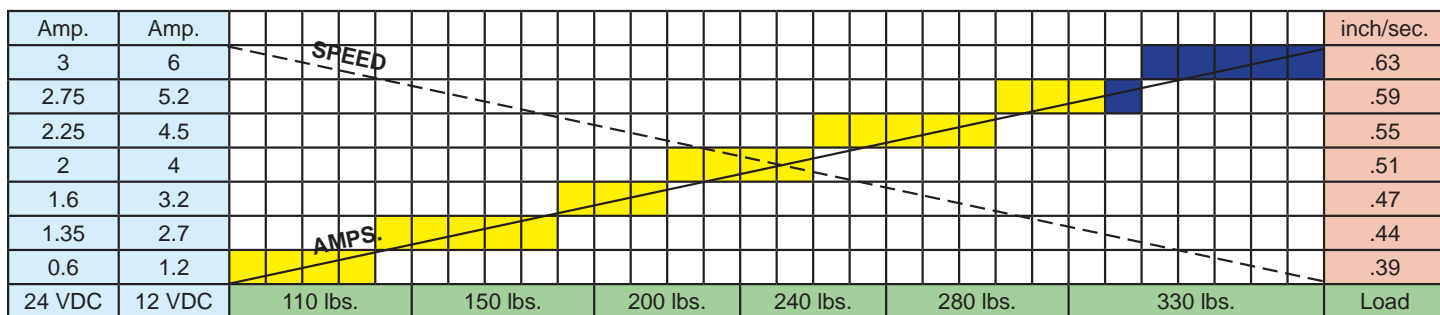


#40104	Push-Pull	Stroke 4.5"	12 Volt
#40105	Push-Pull	Stroke 12"	12 Volt
#40112	Push-Pull	Stroke 12"	24 Volt
#40100	Push Only	Stroke 19"	12 Volt
#40101	Push Only	Stroke 23"	12 Volt

### Cylinder, piston and brackets in anodized Aluminum.

- Push-Pull Versions allows the same power in both directions (in and out).
- Push-Only Versions allows to lift the struts by hand in case of lack of power or breakdown.
- Available as a pair.
- Supplied with an electronic control box for each strut to control and protect against overloads.
- It's necessary to add a 3 positions switch with automatic return to the OFF state.
- Available for 12 or 24VDC power.
- Available with strokes ranging between 4" and 114".

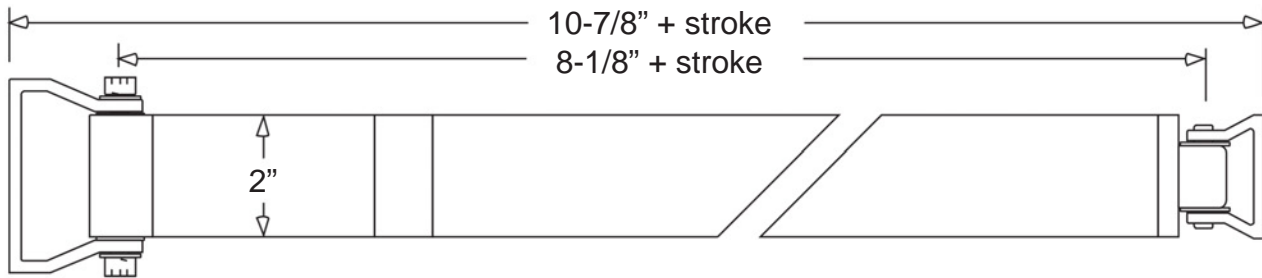
### 330 LB. CAPACITY



# Linear Actuators

## THRUST 440 LBS.

Inch Dimension + stroke = length of strut closed + stroke = length of strut extended

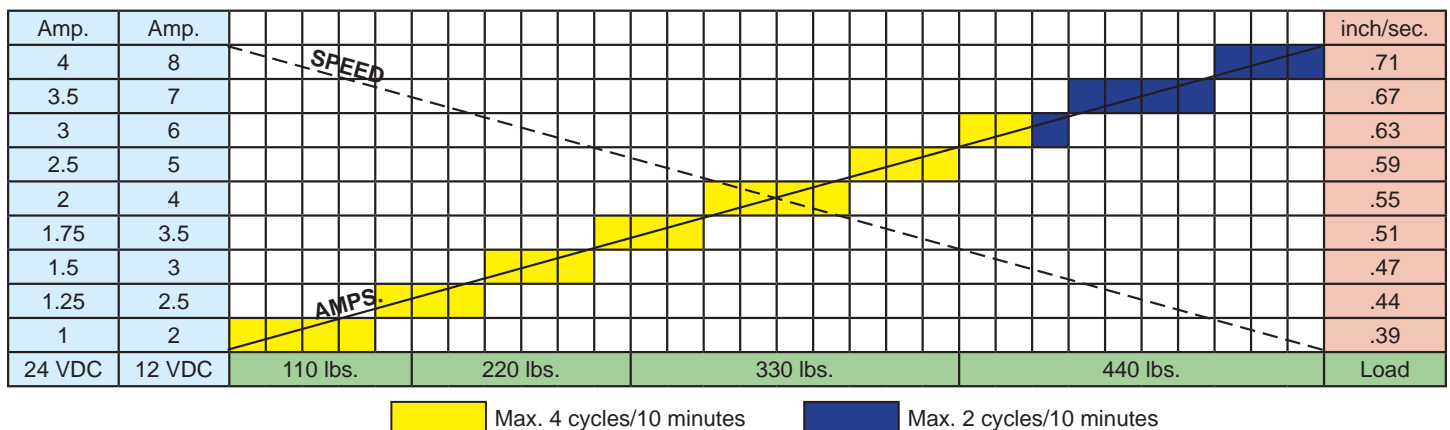


#40102		Push Only	Stroke 19"	12 Volt
#40106		Push Only	Stroke 19"	24 Volt
#40107		Push-Pull	Stroke 19"	12 Volt
#40103		Push Only	Stroke 23"	12 Volt
#40117	Pair	Push Only	Stroke 23"	12 Volt
#40110		Push Only	Stroke 23"	24 Volt
#40115		Push-Pull	Stroke 23"	12 Volt
#40118	Pair	Push-Pull	Stroke 23"	12 Volt

### Cylinder, piston and brackets in anodized Aluminum.

- Push-Pull Versions allows the same power in both directions (in and out).
- Push-Only Versions allows to lift the struts by hand in case of lack of power or breakdown.
- Available as a pair.
- Supplied with an electronic control box for each strut to control and protect against overloads.
- It's necessary to add a 3 positions switch with automatic return to the OFF state.
- Available for 12 or 24VDC power.
- Available with strokes ranging between 4" and 114".

### 440 LB. CAPACITY



# SCANDVIK ELECTRIC TABLE, CHAIR PEDESTALS AND TV LIFTS



Courtesy of Chris Craft

## Heavy-Duty Table Pedestal for Large Tables

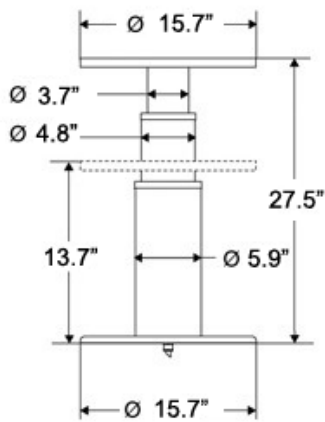
Large diameter, two-stage, electric table pedestal offer the most stable platform for larger heavy tables. The wide base and top measure 15-3/4" in diameter with a 6" diameter aluminum tube extrusion on the bottom. These table pedestals offer extra stability for large table tops up to 220 lbs. Available in tandem version. Chrome plated or Anodized Aluminum finish. Special order tandem models are available.

**#40185** 12V Chrome Plated Aluminum

**#40186** 24V Chrome Plated Aluminum

**#40173** 12V Anodized Aluminum

**#40174** 24V Anodized Aluminum



Anodized Aluminum



Chrome Plated Aluminum



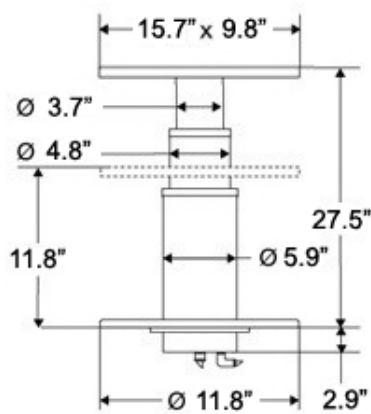
## Electric Table Pedestals



Same heavy duty construction with through-the-floor design to allow a lower minimum height with the same 220 lbs. capacity. Suitable for interior or exterior applications.

**#40183** 12V

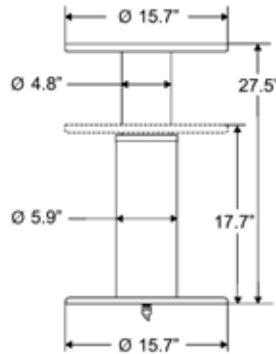
**#40184** 24V



## Electric Table Pedestals

*Single-stage*, deck mount, electric table pedestal allows a lower minimum height when the inner tubes retract inside the larger outer tube. Larger diameter telescoping tubes give greater stability to this base. Suitable for exterior applications. Maximum capacity is 220 lbs. Available in tandem version.

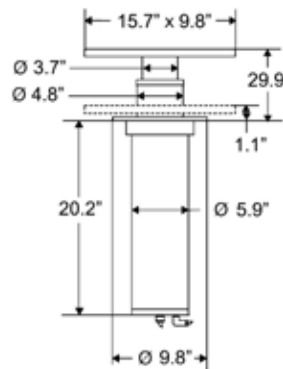
**#40175** 12V  
**#40176** 24V  
SPECIAL ORDER TANDEM



### MINIMUM HEIGHT 1.1 INCHES

*Two-stage*, through-the-deck, electric table pedestal allows a lower minimum height when the inner tubes retract inside the larger outer tube. Larger diameter telescoping tubes give greater stability to this base. Total stroke is 28-3/4". Suitable for exterior applications. Maximum capacity is 220 lbs.

**#40169** 12V  
SPECIAL ORDER 24V  
SPECIAL ORDER TANDEM



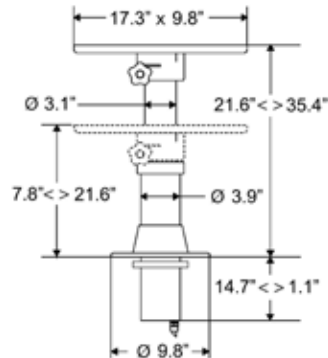


# Electric Table Pedestals

*Single-stage*, through-the-deck, electric table pedestal has an adjustable, through the deck, periscope base which allows for lower minimum height. Table will swivel and lock with under-top handle. Maximum under deck area needed is 14.34" Maximum capacity is 220 lbs.

**#40166** 12V

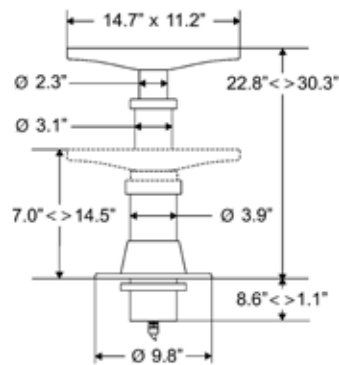
**#40171** 24V



*Two-stage* telescopic, through the deck, electric table pedestal. This version has a lower main tube which can be slid down through the base to obtain a lower minimum and maximum height. Total stroke is 15-3/4". Suitable for exterior applications. Maximum capacity is 220 lbs.

**#40198** 12V

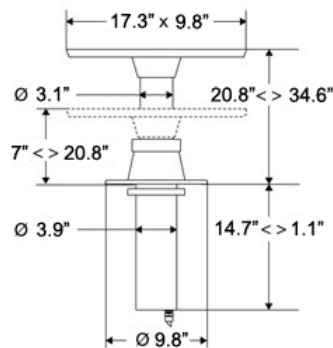
SPECIAL ORDER 24V



*Single-stage*, through-the-deck, electric table pedestal. Total stroke is 13-3/4". Suitable for exterior applications. Maximum capacity is 220 lbs.

**#40152** 12V Rectangular Top

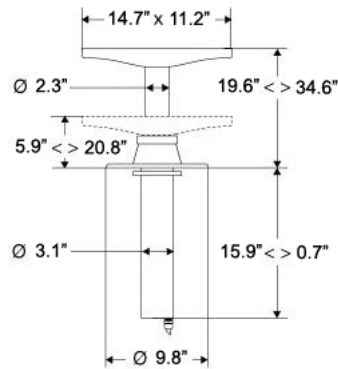
**#40157** 24V Rectangular Top



## Electric Table Pedestals

*Single-stage*, through-the-deck, electric table pedestal. Suitable for indoor or outdoor applications. Maximum capacity is 220 lbs.

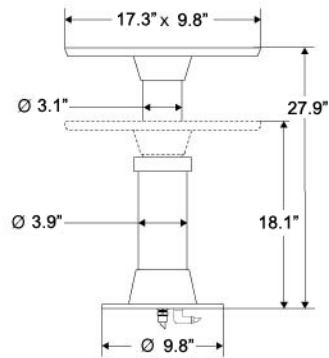
**#40153** 12V X-Top



*Single-stage*, deck mount, electric table pedestal. Maximum capacity is 220 lbs.

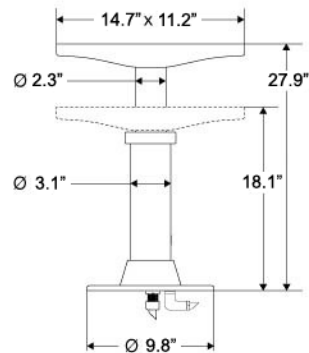
**#40150** 12V Rectangular Top

**#40160** 24V Rectangular Top



*Single-stage*, deck mount, electric table pedestal. Tops are available with either rectangular or X-top versions. Maximum capacity is 220 lbs.

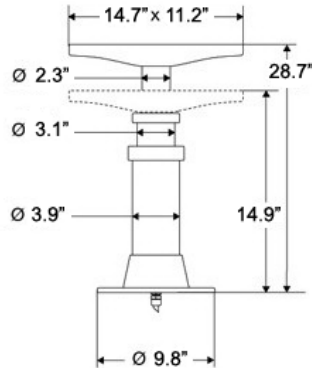
**#40151** 12V X-Top



## Electric Table Pedestals

Two-stage, deck mount, electric table pedestal. Maximum capacity is 220 lbs.

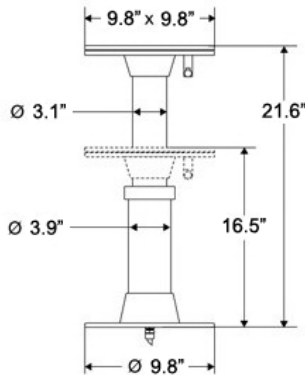
#40154 12V X- Top  
#40165 24V X- Top



## Electric Chair Pedestals

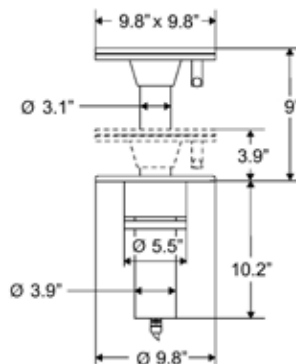
Single-stage, surface mount, electric chair pedestal. 5" stroke, base will swivel 360° with locking position every 90°. Suitable for interior or exterior use. Maximum capacity is 550 lbs.

#40156 12V Chair Pedestal



Single-stage, deck mount, electric table pedestal. Tops are available with either rectangular or X-top versions. Maximum capacity is 220 lbs.

#40199 12V Chair Pedestal

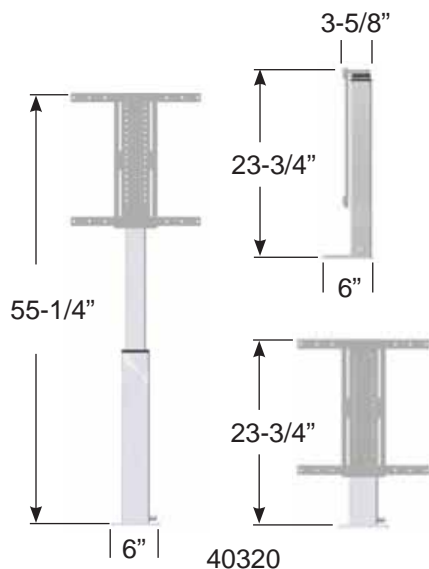


# Electric TV Lift



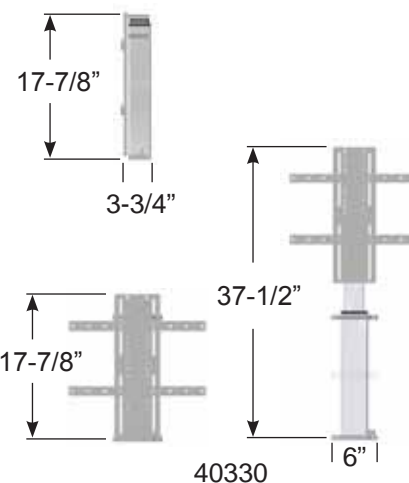
Engineered for the marine environment, these lifts are built with light anodized aluminum alloy. Standard units can accept up to 60" TV screens. On request we can produce units for larger TV sizes.

- Bulkhead or Floor mount
- 12V or 24V
- Made with marine grade anodized aluminum and 316 SS 2-stage worm screw
- IP 67 Indoor or outdoor use
- 220 lbs. Lifting capacity
- Encoded system allows one touch operation. Adjustable top and bottom positions. Includes switch.
- Optional remote control
- Custom sizes on request



## Floor Mount

- #40300** 12V 19-5/8" Stroke
- #40301** 24V 19-5/8" Stroke
- #40310** 12V 25-1/2" Stroke
- #40311** 24V 25-1/2" Stroke
- #40320** 12V 31-1/2" Stroke
- #40321** 12V 31-1/2" Stroke



## Bulkhead Mount

- #40330** 12V 19-5/8" Stroke
- #40331** 24V 19-5/8" Stroke
- #40340** 12V 25-1/2" Stroke
- #40341** 24V 25-1/2" Stroke
- #40350** 12V 31-1/2" Stroke
- #40351** 24V 31-1/2" Stroke

## Linear Actuators

---

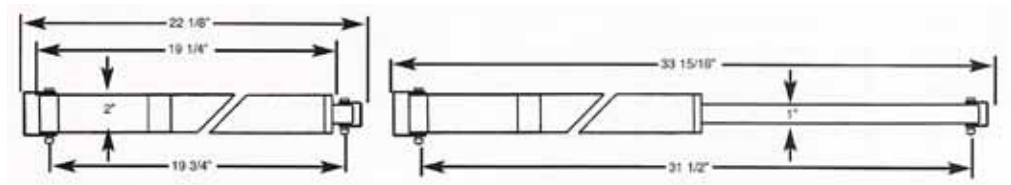


These splash proof, light anodized aluminum alloy struts are designed and built to work in a marine environment. Both push-only, push-pull, encoded and tandem versions are available.

Electrically powered struts to open covers and hatches which either **permit manual lift** (push-only) in the event of a power failure or **do not permit manual lift** (push-pull). Struts which allow manual lift in the event of a power failure have no holding power, therefore hatches and/or other equipment must be equipped with a locking mechanism to keep from bouncing open during periods of bad weather. Designed specifically for use in the marine environment with flame-proof, water-tight body made from non-corrosive anodized alloy.

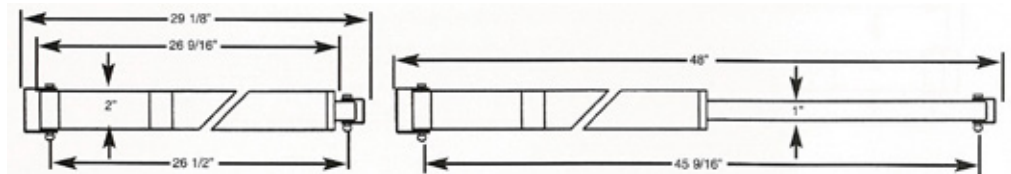
### Push-Pull Versions (Does not allow Manual Lift)

**Stroke:** 12"  
**Capacity:** 330 lbs.  
**Draw:** 5.5 Amp.  
**Fuse:** 6 Amp (12V)  
3.5 Amp (24V)  
**Volts:** 12 or 24



**#40105** 12V  
**#40112** 24V

**Stroke:** 19"  
**Capacity:** 330 lbs.  
**Draw:** 6 Amp.  
**Fuse:** 7 Amp.  
**Volts:** 12

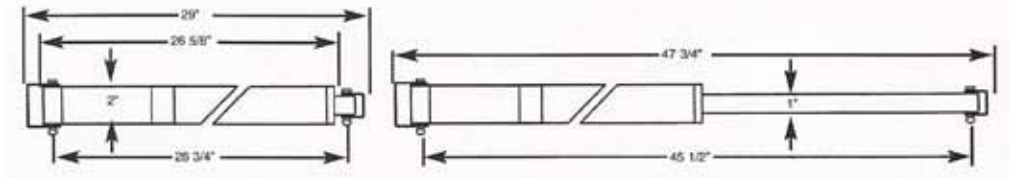


**#40107**

## Push Only Versions (Allows Manual Lift)

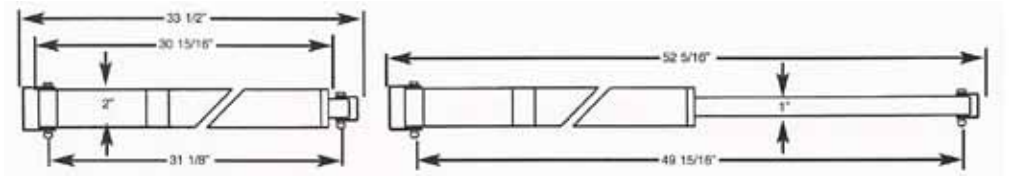
**Stroke:** 19"  
**Capacity:** 330 lbs.  
**Draw:** 6 Amp.  
**Fuse:** 7 Amp.  
**Volts:** 12

**#40100**



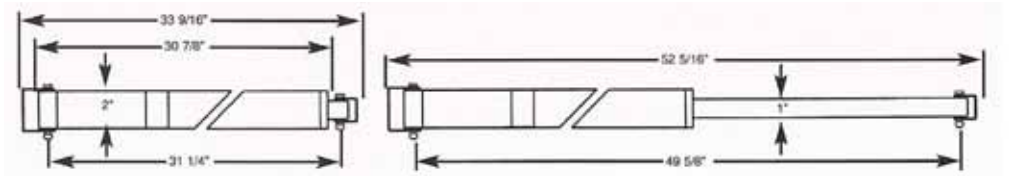
**Stroke:** 19"  
**Capacity:** 440 lbs.  
**Draw:** 8 Amp.  
**Fuse:** 10 Amp.  
**Volts:** 12

**#40102**



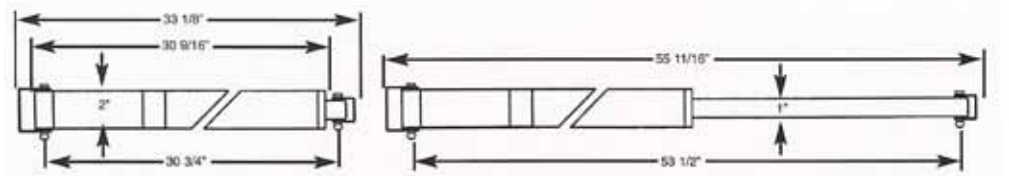
**Stroke:** 19"  
**Capacity:** 440 lbs.  
**Draw:** 8 Amp.  
**Fuse:** 5 Amp.  
**Volts:** 24

**#40106**



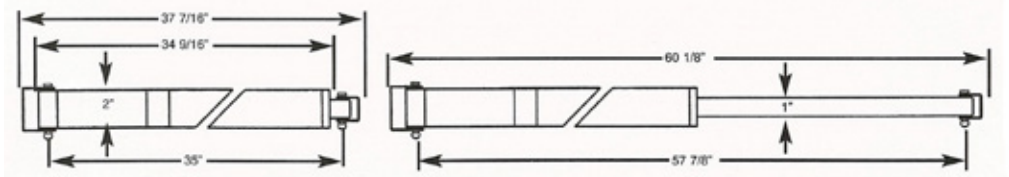
**Stroke:** 23"  
**Capacity:** 330 lbs.  
**Draw:** 6 Amp.  
**Fuse:** 7 Amp.  
**Volts:** 12

**#40101**



**Stroke:** 23"  
**Capacity:** 440 lbs.  
**Draw:** 4 Amp.  
**Fuse:** 5 Amp.  
**Volts:** 24

**#40110**



**Stroke:** 23"  
**Capacity:** 440 lbs.  
**Draw:** 4 Amp.  
**Fuse:** 10 Amp.  
**Volts:** 12

**#40103** (push only)

**#40115** (push-pull)

**#40117** 2 each 40103 - tandem

**#40118** 2 each 40115 - tandem

