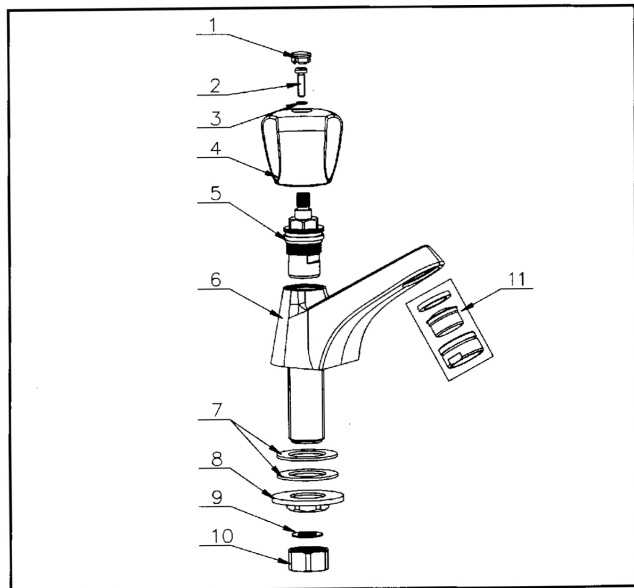


Classic Family 70000

Tap

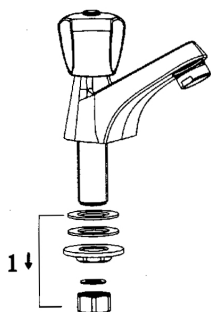
Components List

Please read this instruction carefully so as to avoid the installation difficulty.

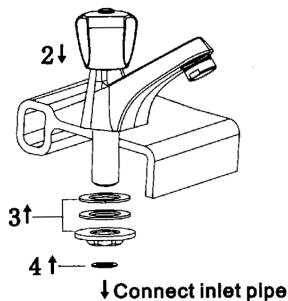


No.	Component	Material	Quantity
1	Blue index	ABS	1
2	Screw	S.S 304	1
3	Spring shim	S.S 304	1
4	Handle	ZN	1
5	Ceramic cartridge		1
6	Main body	BRASS	1
7	Flat washer	NBR	2
8	Nut	BRASS	1
9	Cone washer	NBR	1
10	Nut	BRASS	1
11	Aerator		1

Installation Step

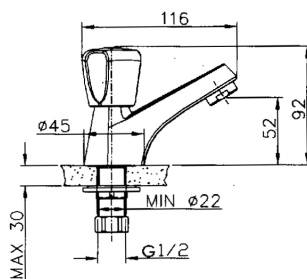


①

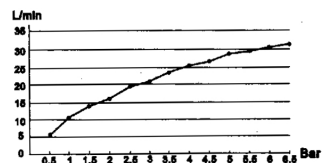


②

Installation Fig



Flow rate Curves



Test pressure: 1.6MPa (16bar)

Flow pressure:

Min 0.05MPa

Max 1.60MPa

Recommended pressure:

0.1MPa to 0.8MPa (1 to 8bar)

Note

1. Ensure to clean the water supply pipe before installing to avoid being jammed.
2. The cold-water supply must be connected on the right and the hot-water supply on the left.
3. Check the installing dimension according to the Figure and ensure it is installed correctly.
4. Hot-water inlet must not be over 80°C.