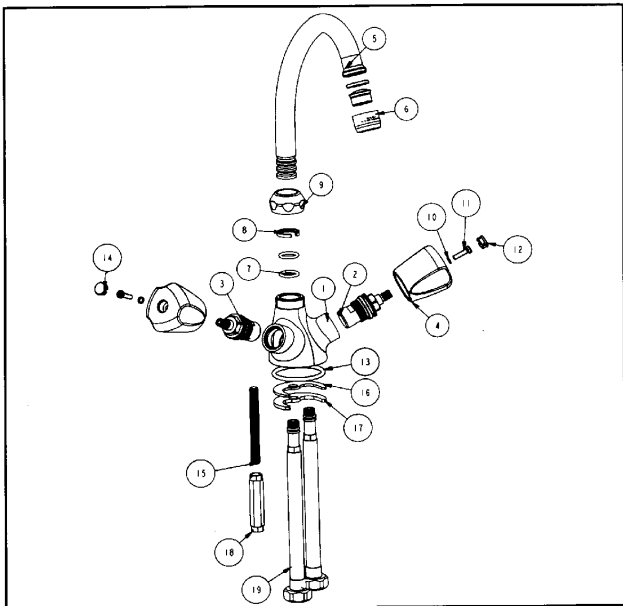


# Classic Family 70002

## Galley mixer tall spout



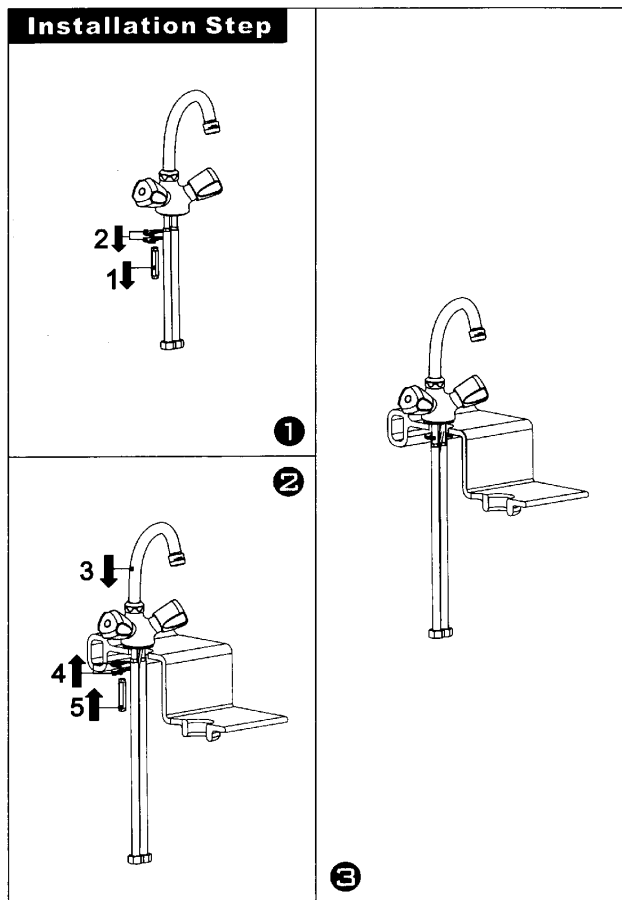
Please read this instruction carefully so as to avoid the installation difficulty.



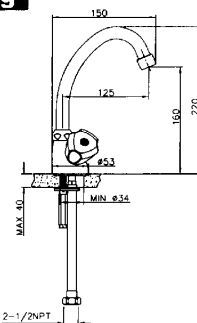
### Components List

No.	Component	Material	Quantity
1	Main body	BRASS	1
2	Ceramic head part	POM	1
3	Ceramic head part	NBR	2
4	Handle	BRASS	1
5	Spout	NBR	1
6	Aerator	NBR	1
7	O-ring	S.S 304	1
8	C-ring	BRASS	1
9	Nut	BRASS	1
10	Spring shim		1
11	Screw	BRASS	1
12	Blue index		1
13	O-ring	ABS	1
14	Red index	S.S 304	2
15	Fixing bolt	BRASS	2
16	Rubber fastening washer	S.S 304	2
17	Metal fastening washer		1
18	Fixing nut		1
19	Flexible connection hose	ABS	1

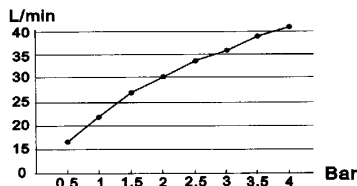
### Installation Step



### Installation Fig



### Flow rate Curves



Test pressure: 1.6MPa (16bar)

Flow pressure:

Min 0.05MPa

Max 1.60MPa

Recommended pressure:

0.1MPa to 0.8MPa (1 to 8 bar)

### Note

1. Ensure to clean the water supply pipe before installing to avoid being jammed.
2. The cold-water supply must be connected on the right and the hot-water supply on the left.
3. Check the installing dimension according to the Figure and ensure it is installed correctly.
4. Hot-water inlet must not be over 80°C.