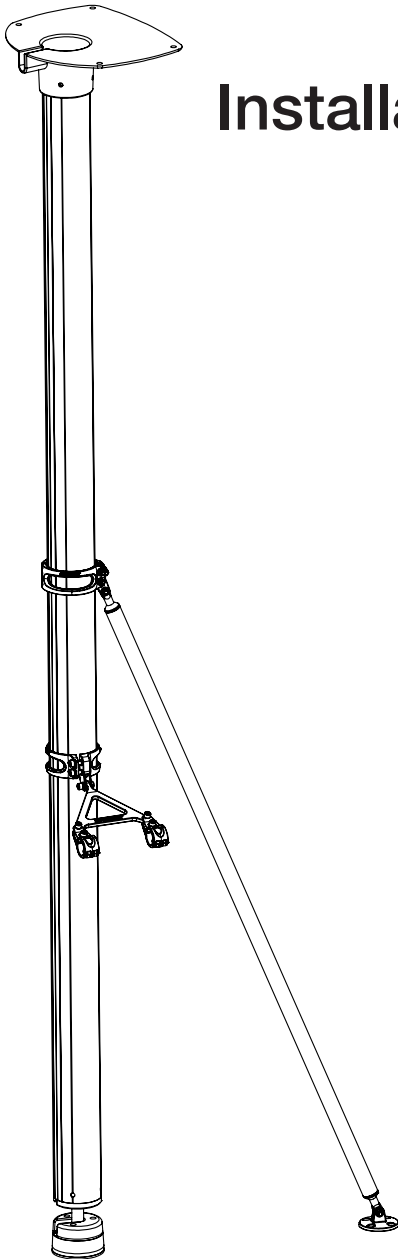


# SC100 Installation Instructions



Radar:

SC101

SC102

SC103

SC104

SC105

SC106

SC107

SC109

SC107-CS

SC109-CS

2 x Person Install



**SCANSTRUT®**

### Tools Required

10mm x2

13mm x2

Large Flat x1

No.3 Posidriv x1

6.5mm (1/4") x1  
8.5mm (11/32") x1

5mm Allen key x1

Silicone

Pencil

### Pole Top

17103  
SC101  
SC102

17101  
SC103  
SC104

17108  
SC105  
SC106

17101-45  
SC107  
SC109

17209  
SC107-CS  
SC109-CS

### Pole

17420  
(2.5m)

17421  
(1.8m)

### Box 1 Contents

10265  
Thread Lock  
B243

60080  
M8 Nyloc Nut  
x3

60085  
M8 Washer  
x3

60860  
M8x60 CSK Slotted  
x3

60616  
M6x16 Pan Head  
x4

60702  
M6 Nylon Washer  
x4

17301  
SC100 Adjustable Base

### Box 2 - Contents

#### 60100 - Pole Top Fastening pack

60621  
M6x20 Bolt  
x4

60702  
M6 Nylon Washer  
x8

60060  
M6 Nyloc Nut  
x4

60068  
M6 Nut Cover  
x4

#### 10455 - 1200mm Deck Strut

10473  
Adjustable  
Strut Base

10455  
Adjustable Strut  
1200mm

17470  
3" Tube Clamp

61620  
M6x20 Socket Cap Bolt  
x4

60060  
M6 Nyloc Nut  
x4

610635  
M6x35 CSK Posi  
x4

60060  
M6 Washer  
x4

#### 19312 - 25mm Rail Standoff

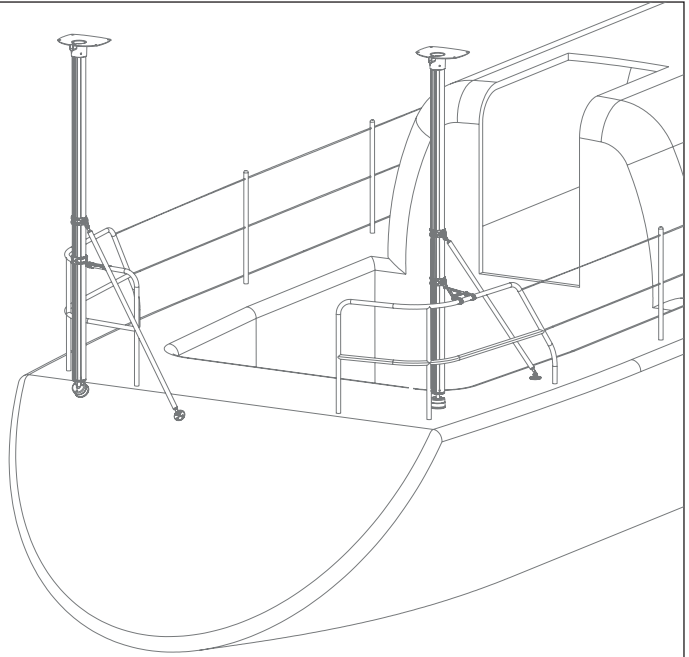
17470  
3" Tube Clamp  
x1

10462  
Standoff Plate  
x1

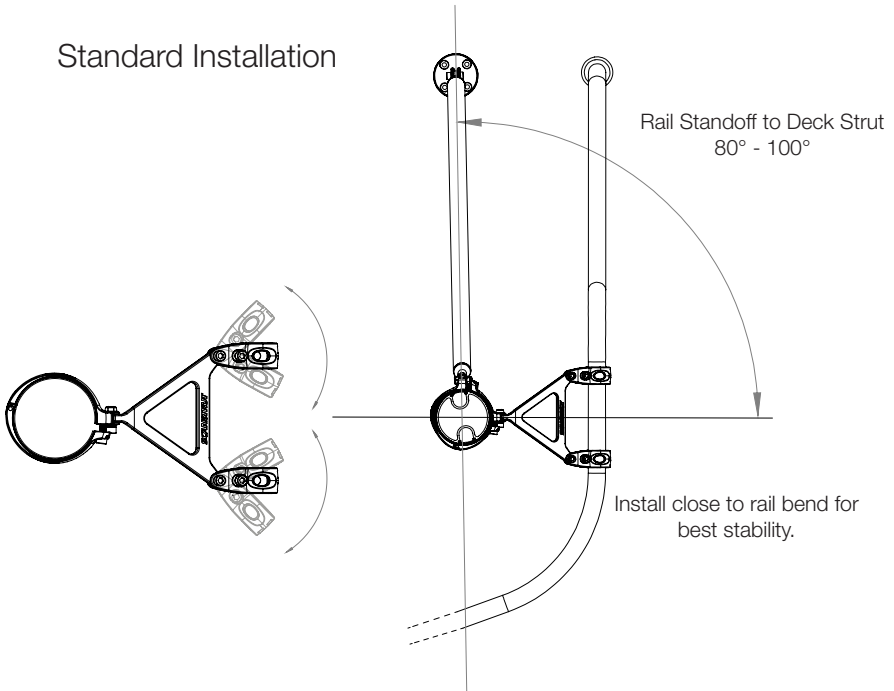
17471  
25mm (1") Rail Clamp  
x2

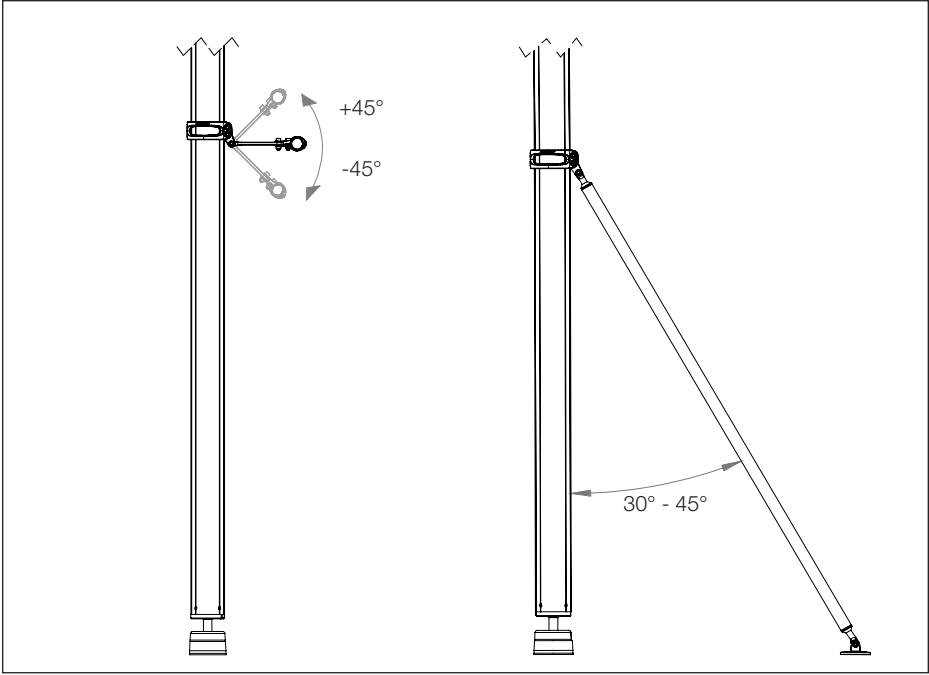
60620  
M6x20 Socket Cap Bolt  
x7

Planning your  
Installation...

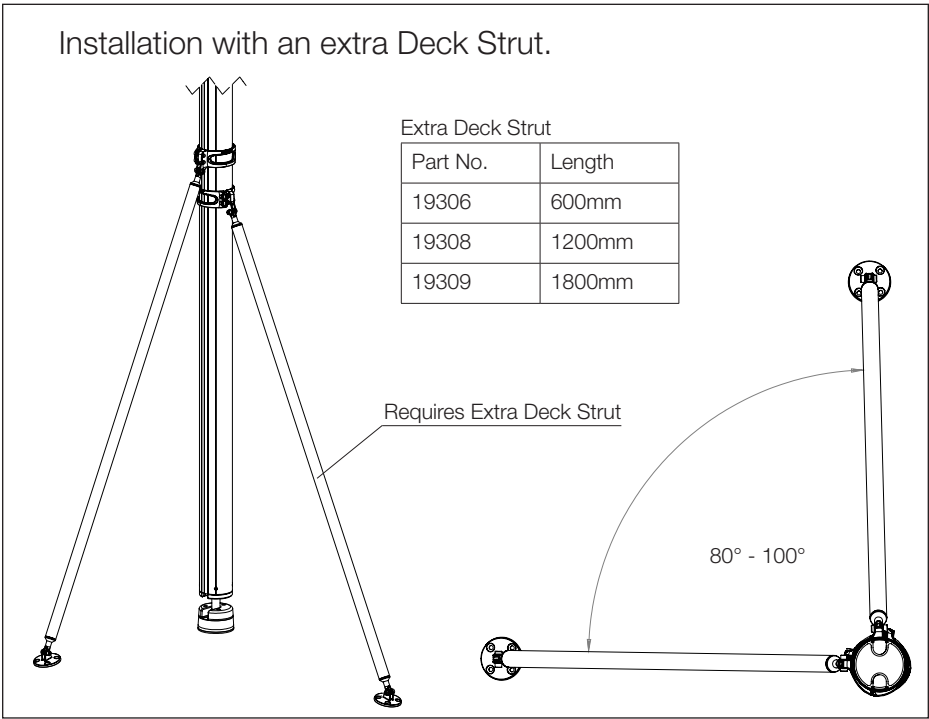


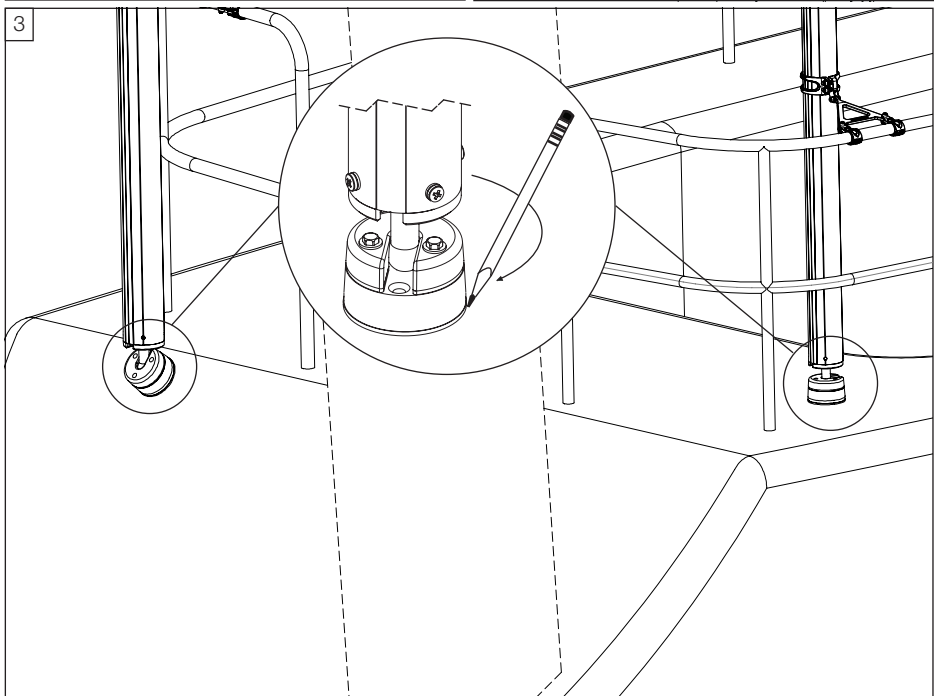
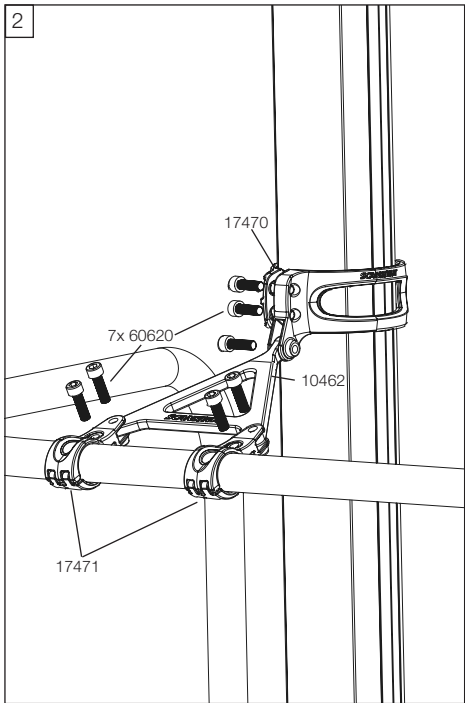
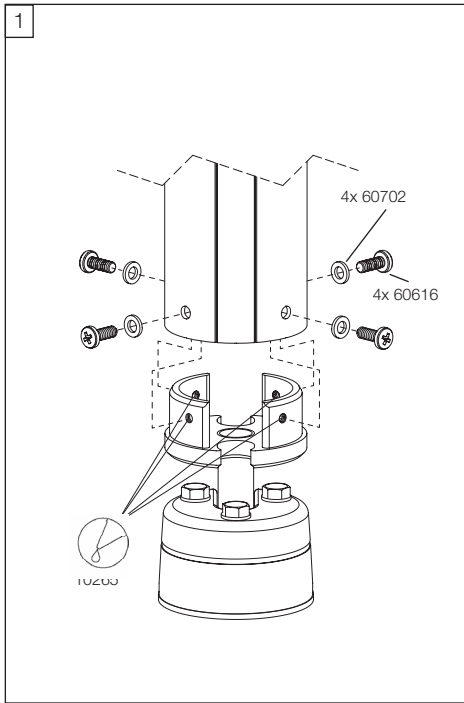
Standard Installation

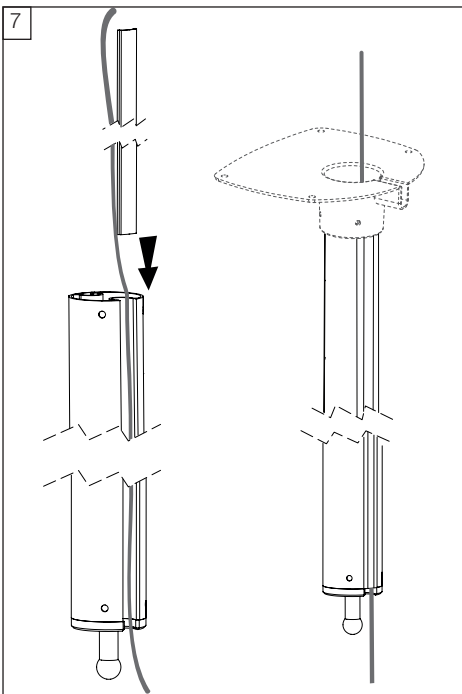
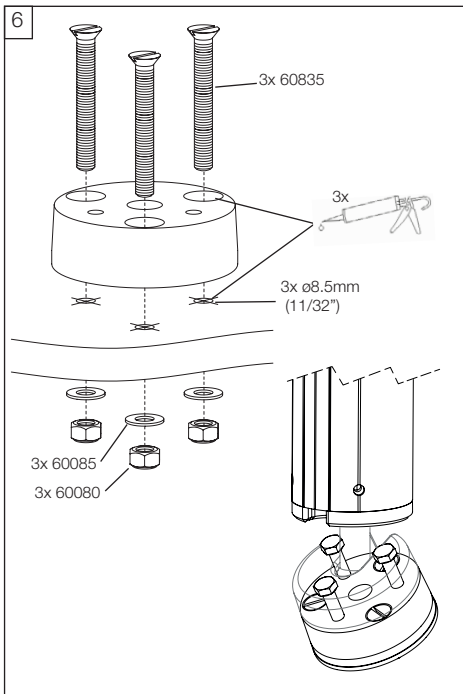
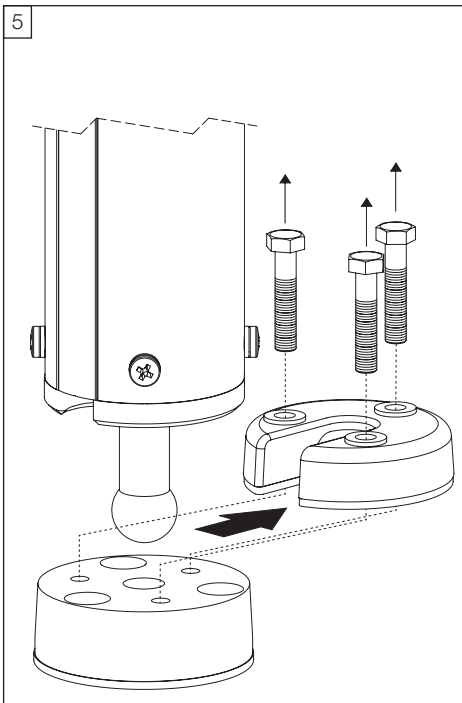
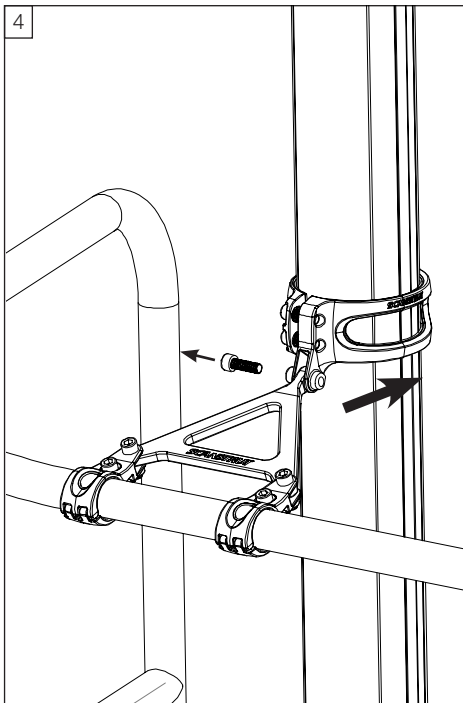




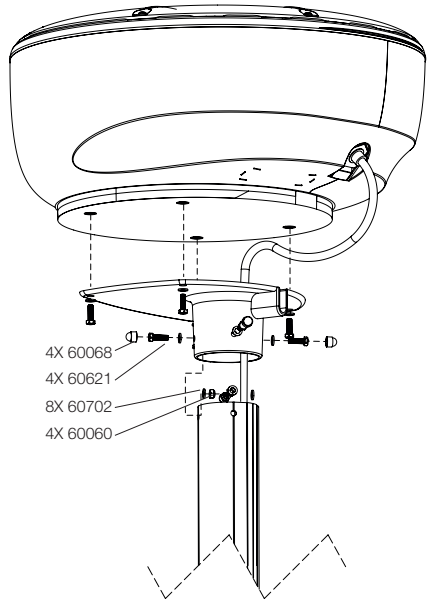
Installation with an extra Deck Strut.



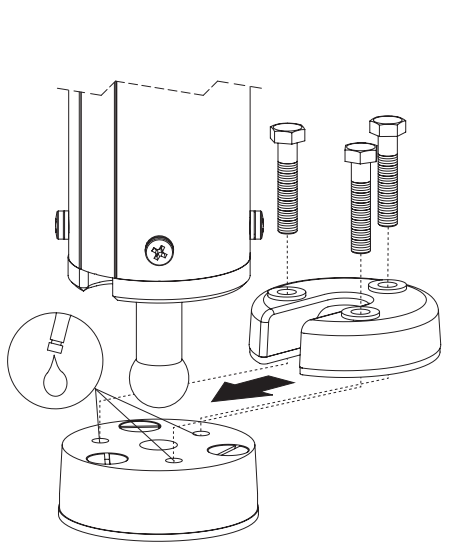




8



8



9

