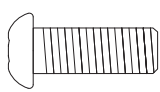
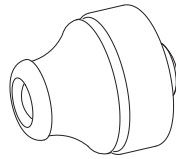
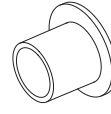
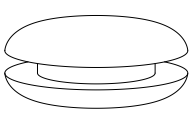



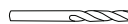



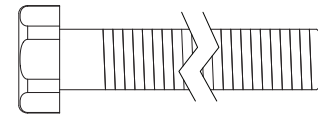
Parts List

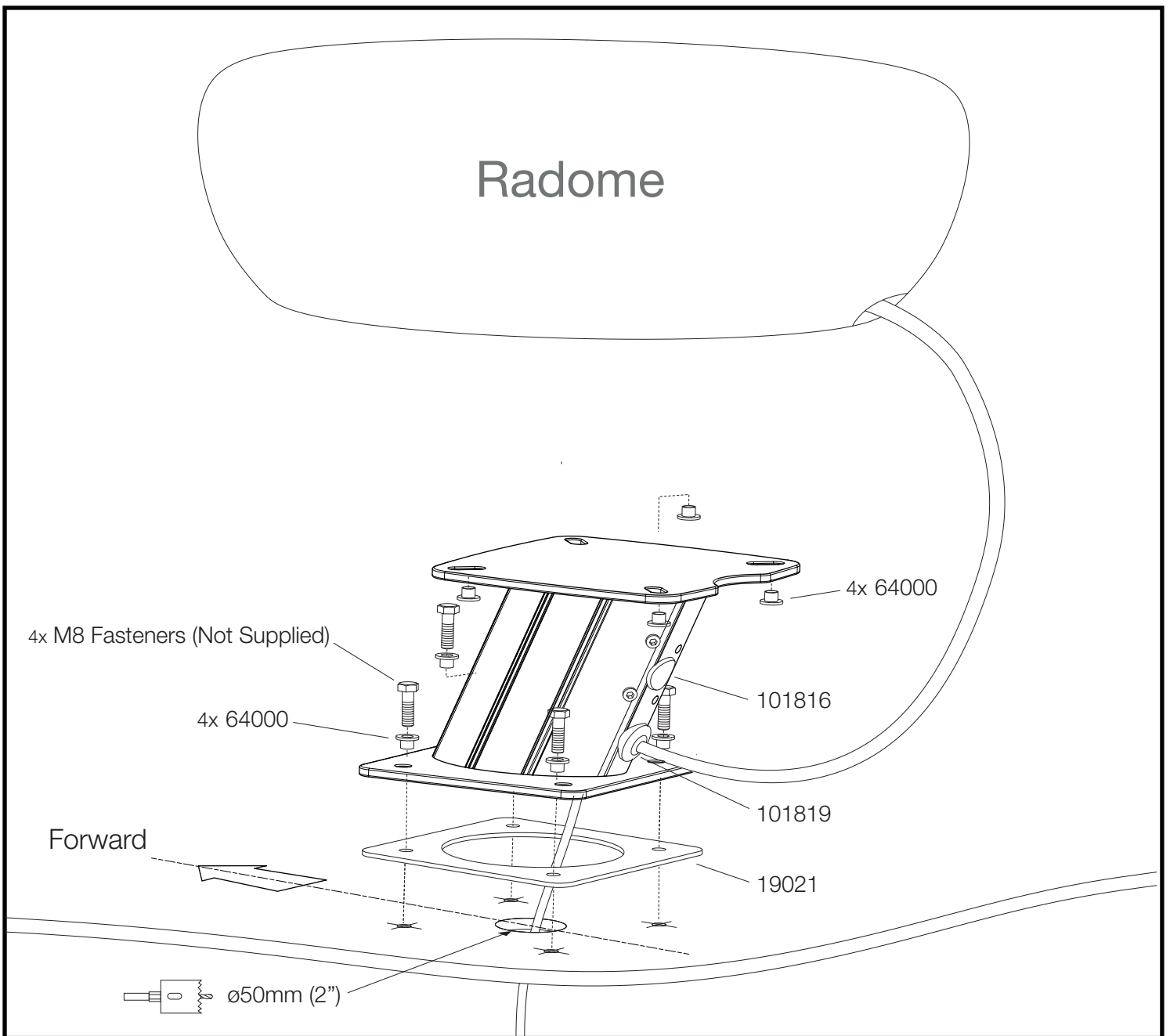
M6x16mm  60617	x4	Cable Grommet  101819	x1	M8 Nylon Insulator  64000	x8
Blanking Plug  101816	x1	Foam Seal  19021	x1		

Tools Required

	Hole Saw ø50-52mm (2")
	Power drill
	ø8.5mm (21/64") Drill Bit
	No. 2 Posidriv Screwdriver

Parts Required

	M8 x 25mm+	x4
---	------------	----



IMPORTANT

PowerTowers are only compatible with marine electronics devices as stated in the latest Scanstrut Product Guide – subject to change without prior notice.

Use of the Power Towers with unapproved products, or overloading, invalidates any product warranty.

Scanstrut does not supply fastenings to fix this product to the chosen surface. Please choose suitable fastenings for this purpose.

No liability is accepted for damage caused by incorrect installation.

The installation and assembly must be regularly inspected for evidence of damage or loose parts.

Product has been designed specifically for the mounting of approved marine electronics under normal boating conditions.