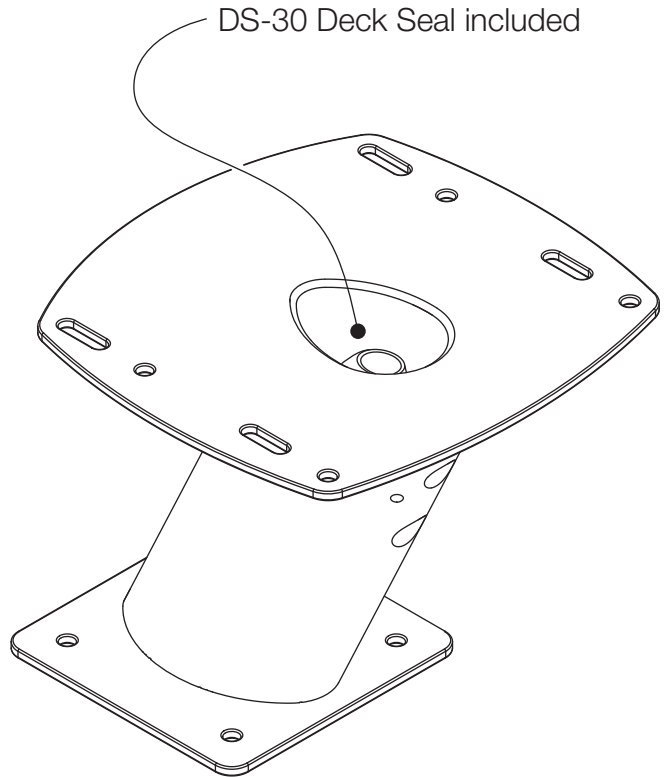
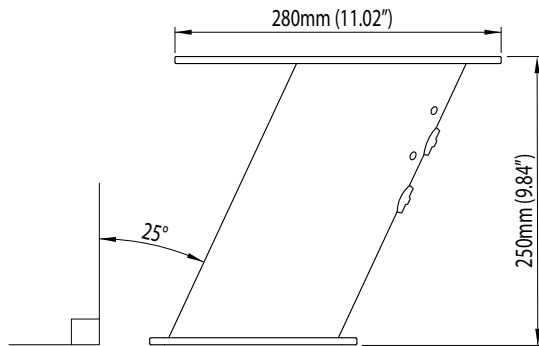
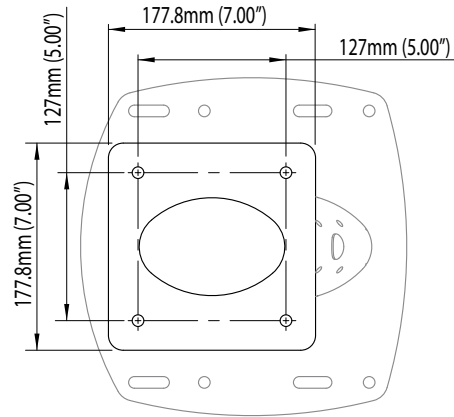
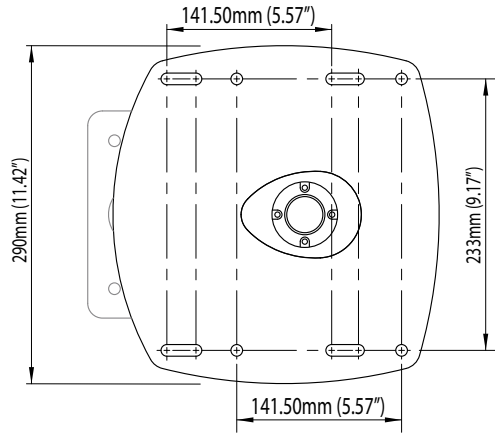


# Aluminium PowerTower® (APT-250-01)



**SCANSTRUT**  
designed for life at sea

Learn more about marine electronics and navigation on our website.