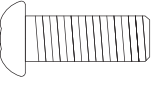

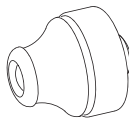
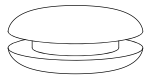
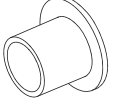
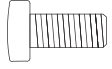
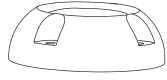





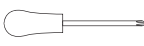
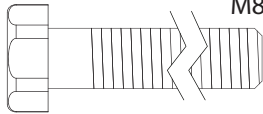
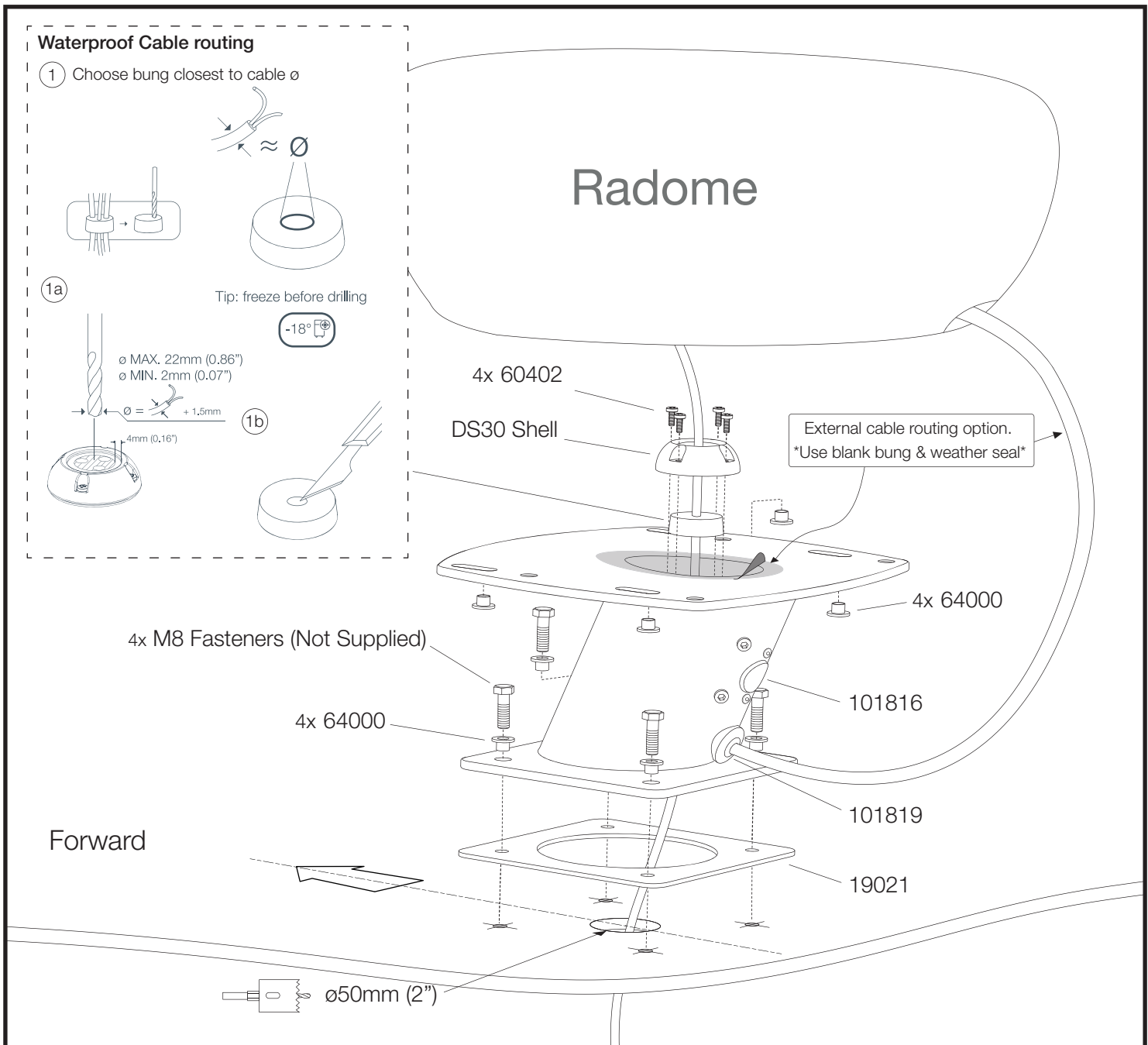


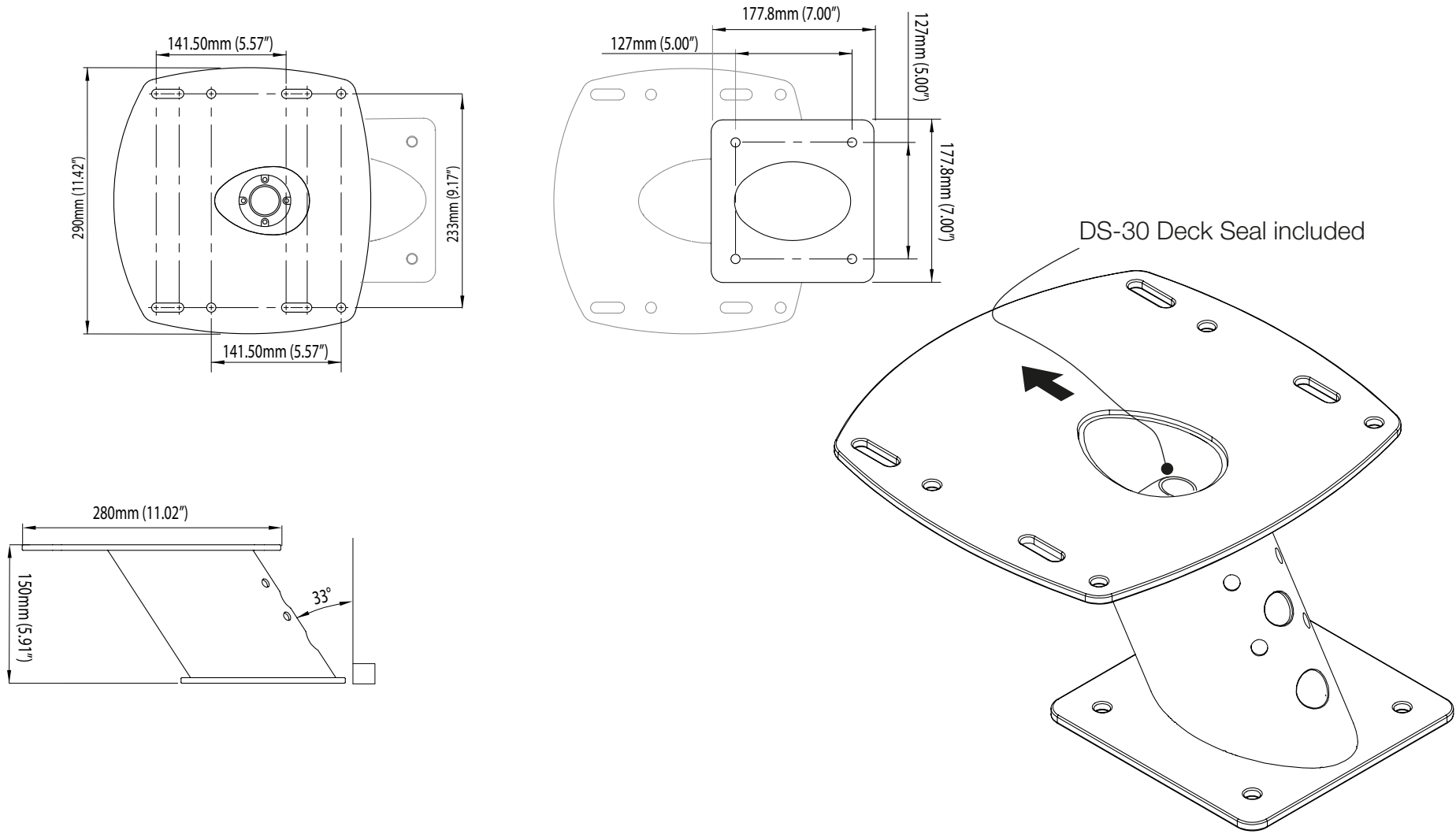
Parts List									
M6x16mm  60617	x4	Foam Seal  19021	x1	Cable Grommet  101819	x1	Blanking Plug  101816	x1	M8 Nylon Insulation  64000	x8
M4x10 mm  60402	x4	DS30 Shell  101819	x1	DS30 Bung Set  101819	x1	Optional Weather Seal  99040	x1		

Tools Required	
	Hole Saw ø50-52mm (2")
	Power drill
	ø8.5mm (21/64") Drill Bit
	No. 2 Posidriv Screwdriver

Parts Required	
	M8 x 25mm+ x4



Aluminium PowerTower® (APT-F-150-1)



SCANSTRUT