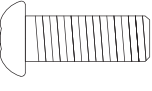

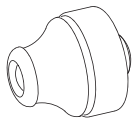
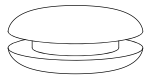
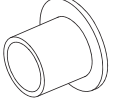
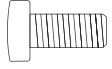
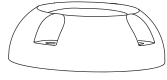





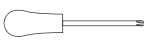


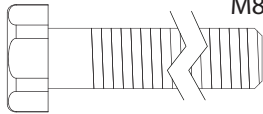
Parts List

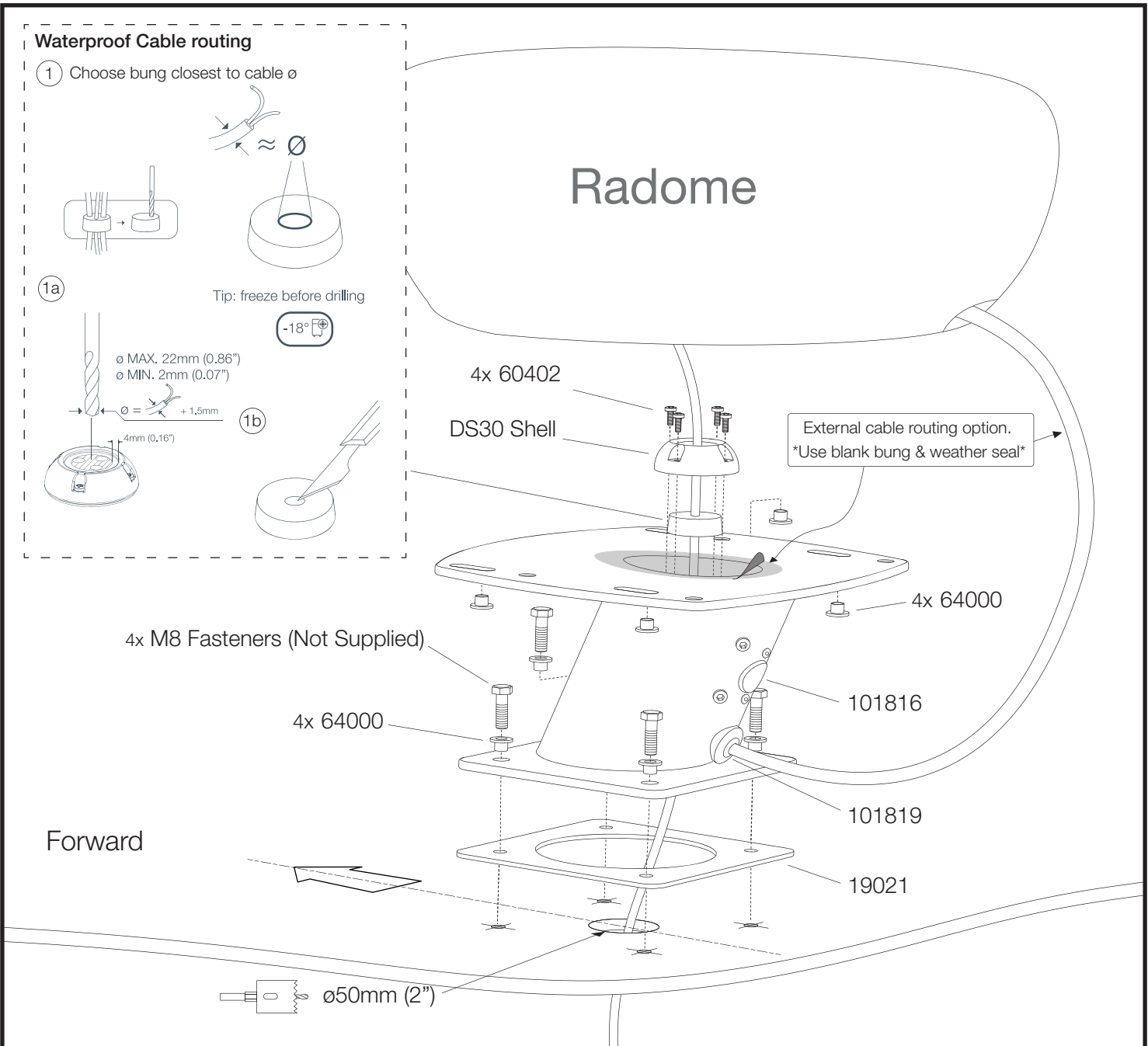
M6x16mm x4	Foam Seal x1	Cable Grommet x1	Blanking Plug x1	M8 Nylon Insulation x8
				
60617	19021	101819	101816	64000
M4x10 mm x4	DS30 Shell x1	DS30 Bung Set x1	Optional Weather Seal x1	
				
60402	101819		99040	

Tools Required

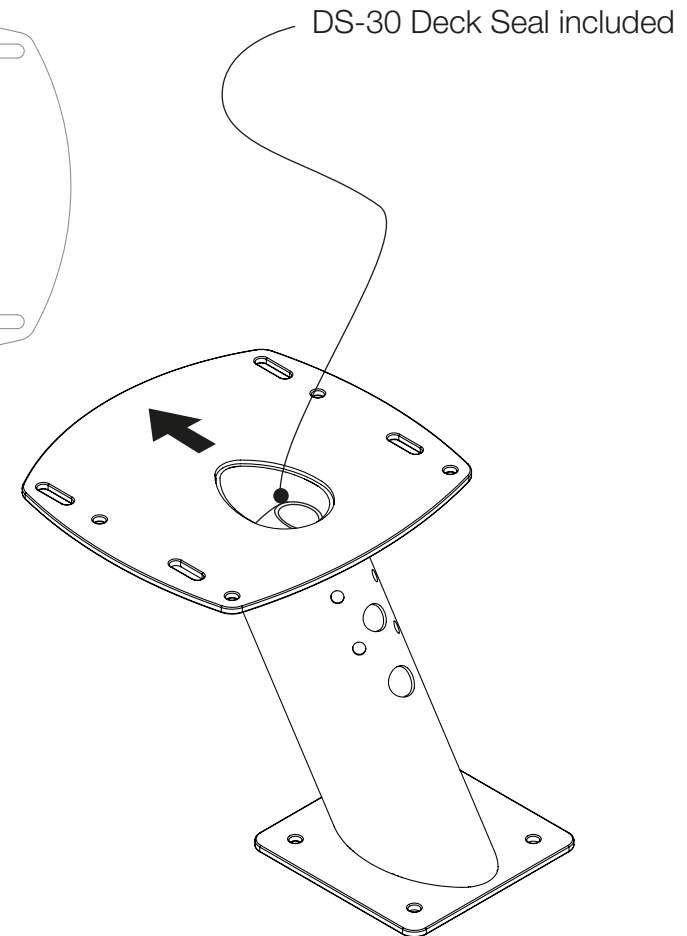
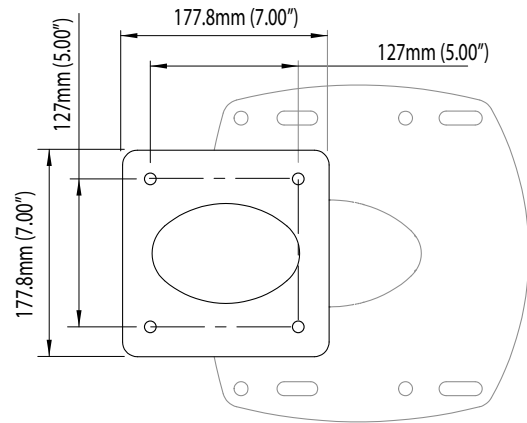
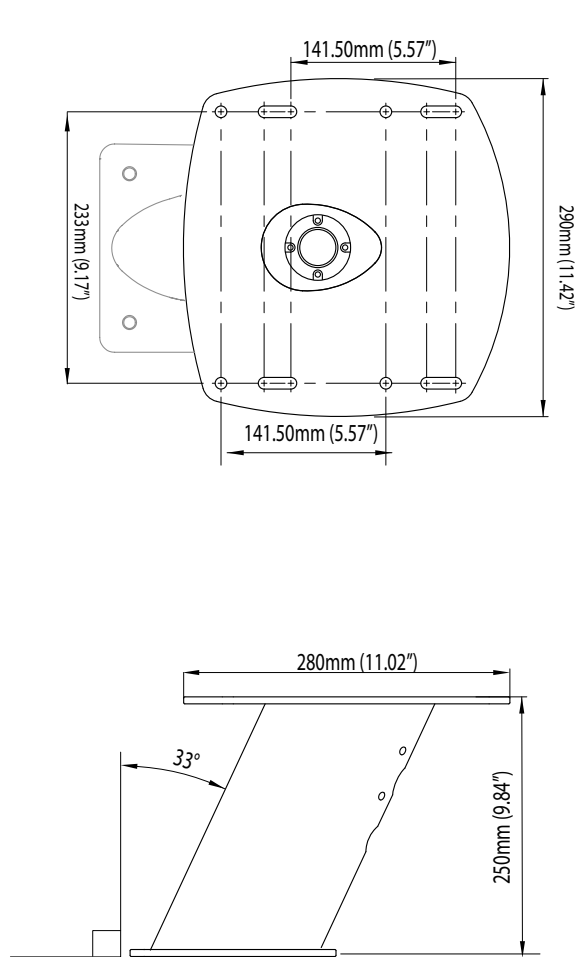
	Hole Saw ø50-52mm (2")
	Power drill
	ø8.5mm (21/64") Drill Bit
	No. 2 Posidriv Screwdriver

Parts Required

	M8 x 25mm+
	x4



Aluminium PowerTower® (APT-F-250-1)



SCANSTRUT