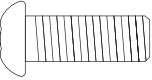

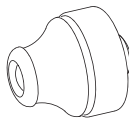
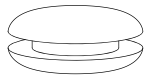
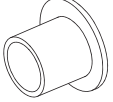
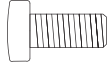
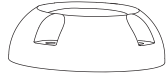





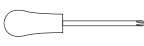
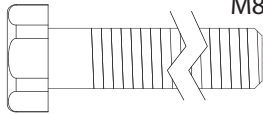
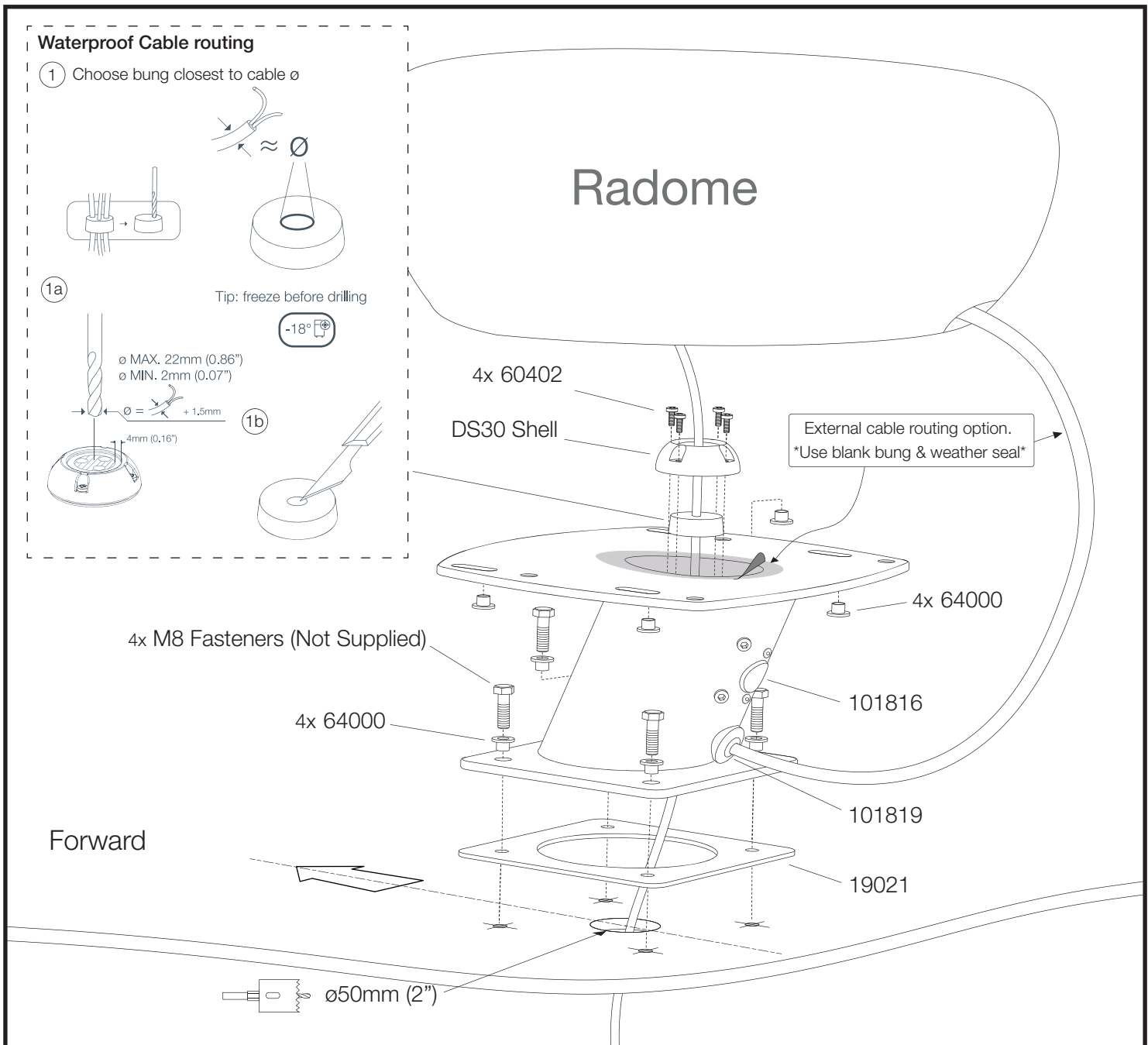


Parts List					
M6x16mm x4	Foam Seal x1	Cable Grommet x1	Blanking Plug x1	M8 Nylon Insulation x8	
					
60617	19021	101819	101816	64000	
M4x10 mm x4	DS30 Shell x1	DS30 Bung Set x1	Optional Weather Seal x1		
					
60402	101819		99040		

Tools Required	
	Hole Saw ø50-52mm (2")
	Power drill
	ø8.5mm (21/64") Drill Bit
	No. 2 Posidriv Screwdriver

Parts Required	
	M8 x 25mm+ x4



IMPORTANT

PowerTowers are only compatible with marine electronics devices as stated in the latest Scanstrut Product Guide – subject to change without prior notice.

Use of the Power Towers with unapproved products, or overloading, invalidates any product warranty.

Scanstrut does not supply fastenings to fix this product to the chosen surface. Please choose suitable fastenings for this purpose.

No liability is accepted for damage caused by incorrect installation.

The installation and assembly must be regularly inspected for evidence of damage or loose parts.

Product has been designed specifically for the mounting of approved marine electronics under normal boating conditions.