
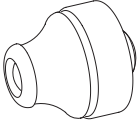
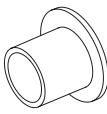
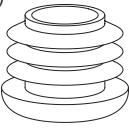
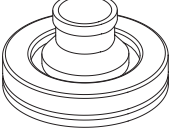
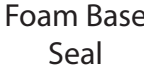


APT 6001 SPT1001 APT 5U
 APT 6002 SPT1002 APT 10U
 APT 102S SPT1004 APT 19000
 SPT1005 APT 19001



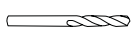
Installation Instructions

Aluminium/Stainless Steel PowerTower

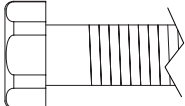
Parts List

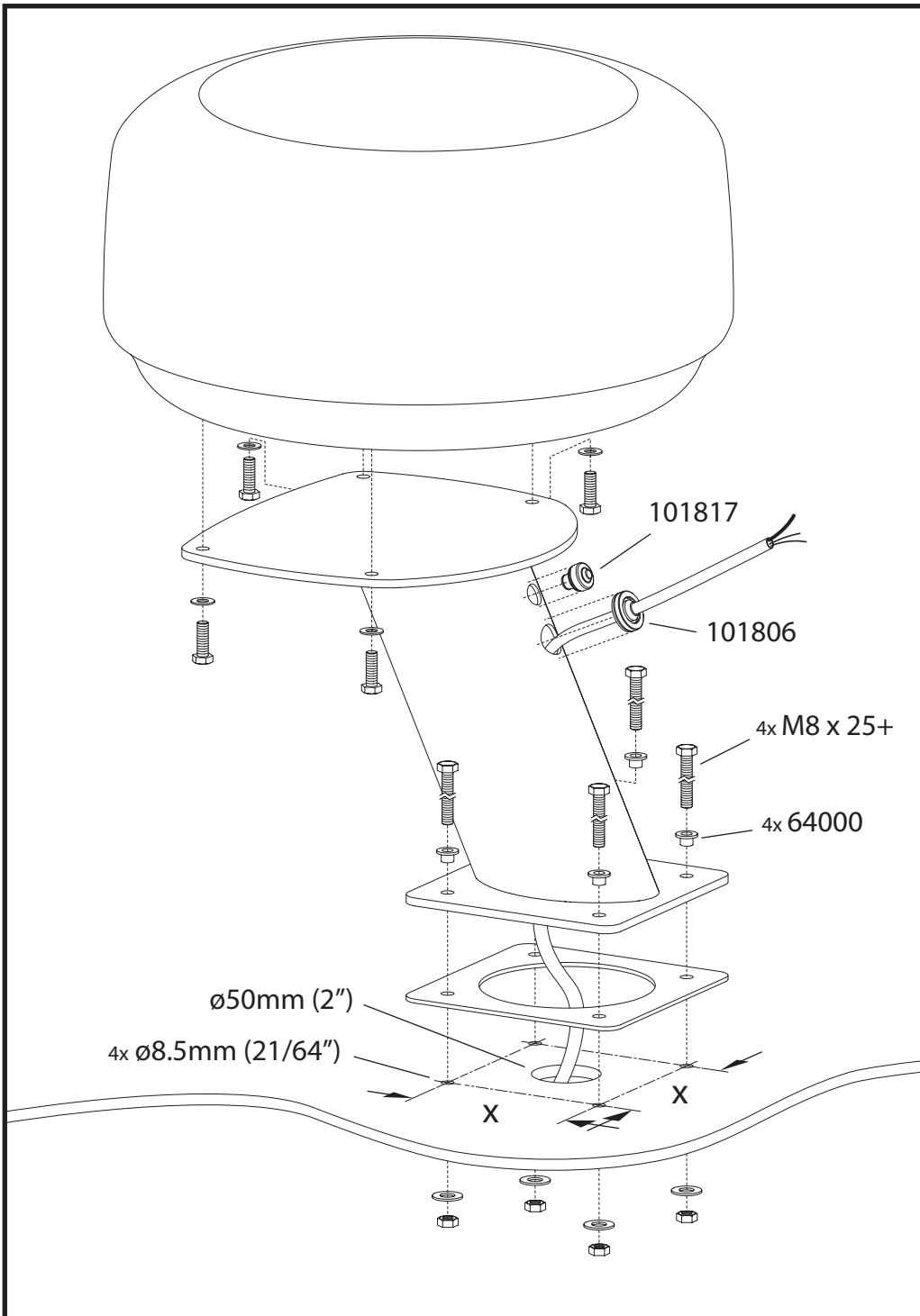
Power Tower x1 	Cable Grommet (Blanked) x1  101817	Nylon Shoulder Washer x4  64000
Blanking Cap (APT6002 only) x1  101807	Cable Grommet x1  101806	Foam Base Seal x1 

Tools Required

	Hole Saw ø50-52mm (2")
	Power drill
	ø8.5mm (21/64") Drill Bit

Parts Required

	M8 x 25mm+	x4
---	------------	----



Model	X
SPT 1001	127mm (5")
SPT 1002	127mm (5")
SPT 1004	152mm (6")
SPT 1005	152mm (6")
APT 6001	150mm (5.9")
APT 6002	150mm (5.9")
APT 102S	127mm (5")
APT 5U	127mm (5")
APT 10U	127mm (5")
APT 19000	127mm (5")
APT 19001	127mm (5")

IMPORTANT

Power Towers are only compatible with marine electronics devices as stated in the latest Scanstrut Product Guide – subject to change without prior notice.

Use of the Power Towers with unapproved products, or overloading, invalidates any product warranty.

Scanstrut does not supply fastenings to fix this product to the chosen surface. Please choose suitable fastenings for this purpose.

No liability is accepted for damage caused by incorrect installation.

The installation and assembly must be regularly inspected for evidence of damage or loose parts.

Product has been designed specifically for the mounting of approved marine electronics under normal boating conditions.