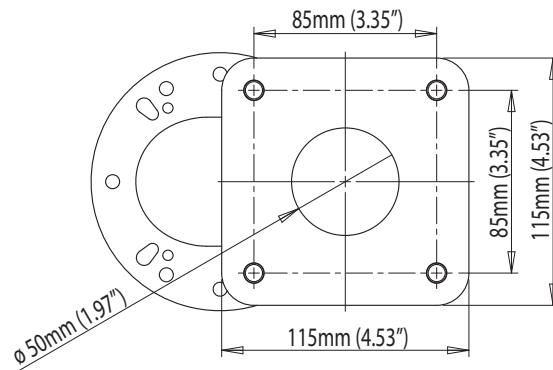
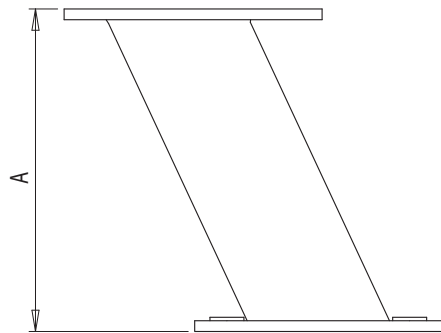
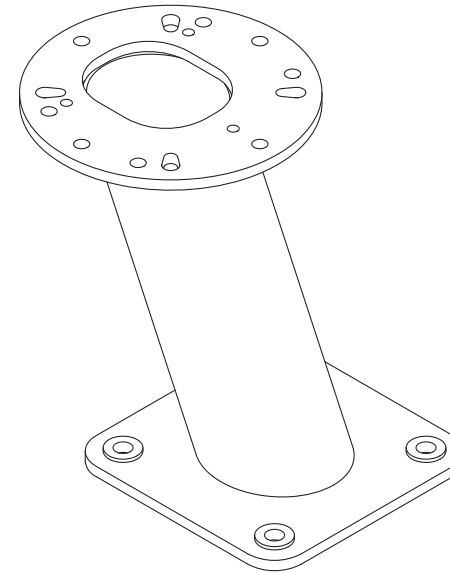
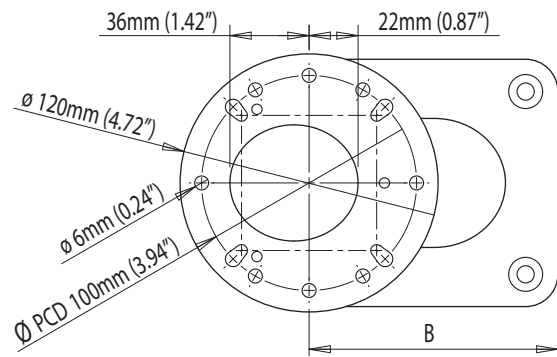


CAM-PT-150/300



	A mm / inches	B mm / inches
CAM-PT-150	150/5.9	116/4.6
CAM-PT-300	300/11.8	480/18.9



SCANSTRUT