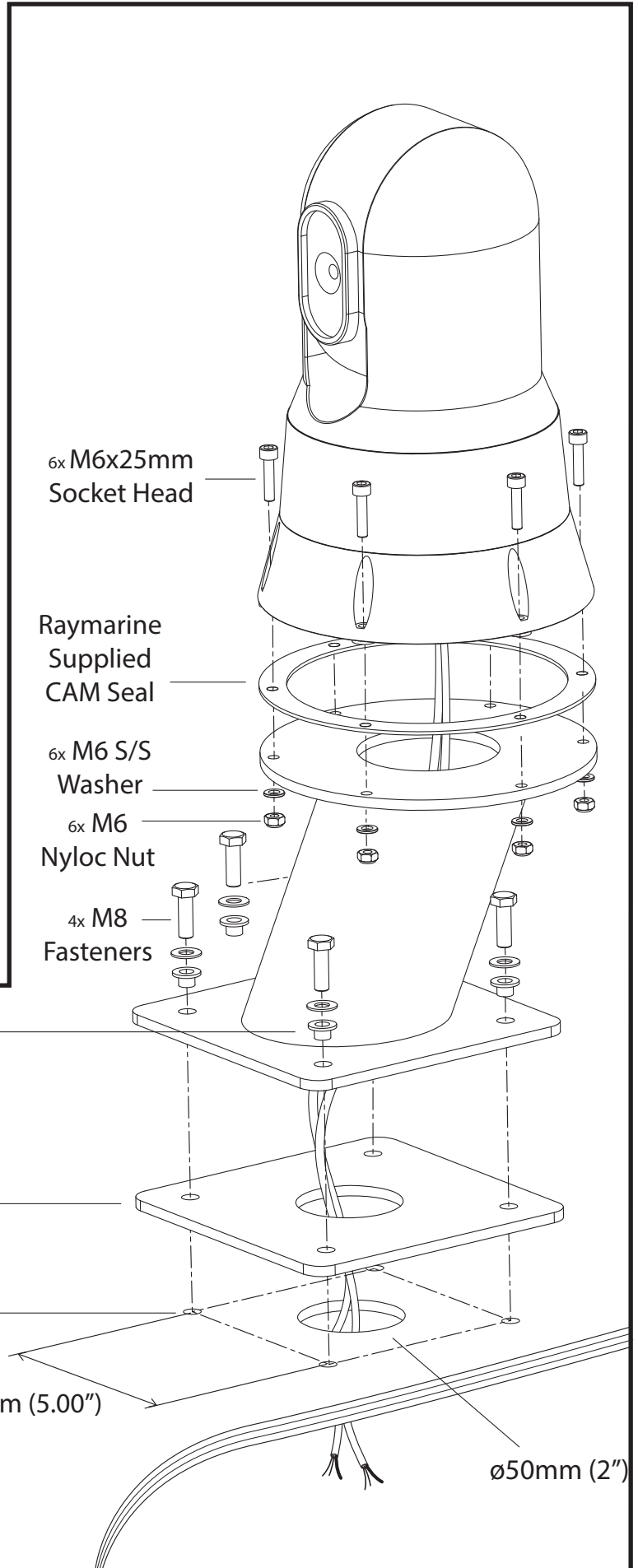


Tools Required		Hole Saw ø50-52mm (2")
		Power drill
		ø8.5mm (21/64") Drill Bit

Parts Required		M8 Fasteners x4 - M8 x 25mm+ - 8mm Plain Washer



**IMPORTANT**

Power Towers are only compatible with marine electronics devices as stated in the latest Scanstrut Product Guide – subject to change without prior notice.

Use of the Power Towers with unapproved products, or overloading, invalidates any product warranty.

Scanstrut does not supply fastenings to fix this product to the chosen surface. Please choose suitable fastenings for this purpose.

No liability is accepted for damage caused by incorrect installation.

The installation and assembly must be regularly inspected for evidence of damage or loose parts.

Product has been designed specifically for the mounting of approved marine electronics under normal boating conditions.