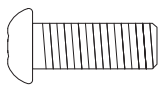
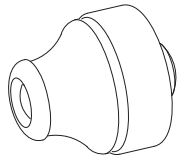

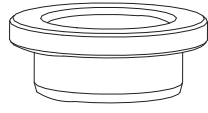

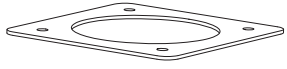
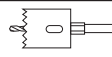


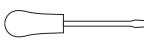
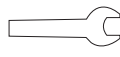


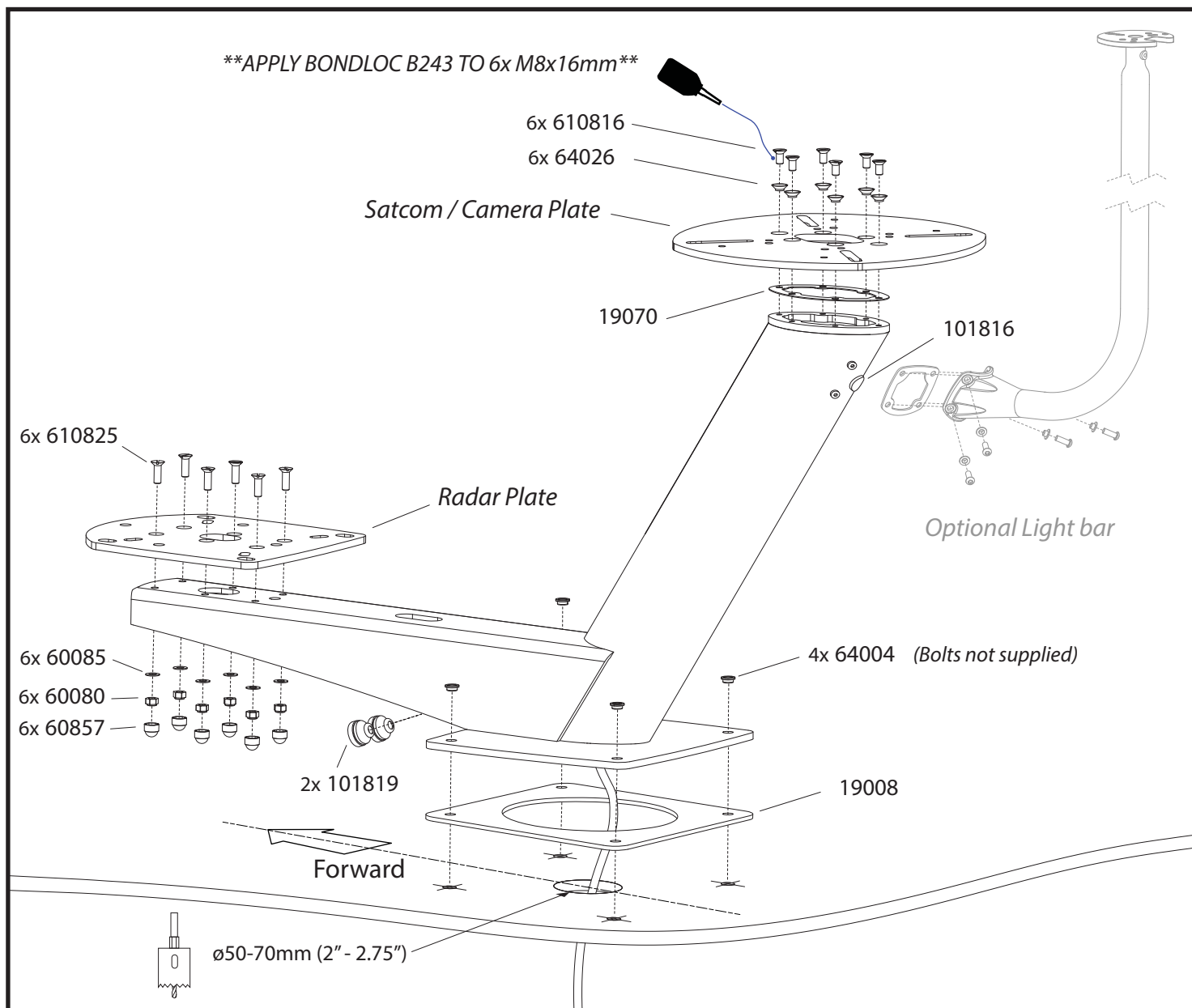
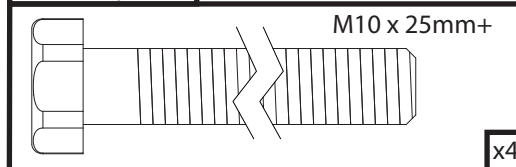
### Parts List

|  |    |  |    |  |    |
|--|----|--|----|--|----|
| M6x16mm<br><br>60617                  | x4 | Cable Grommet<br><br>101819 | x2 | DPT gasket<br><br>19070 | x1 |
| M10 Nylon Shoulder washer<br><br>64004 | x4 | Blanking Plug<br><br>101816 | x1 | Base Seal<br><br>19008  | x1 |

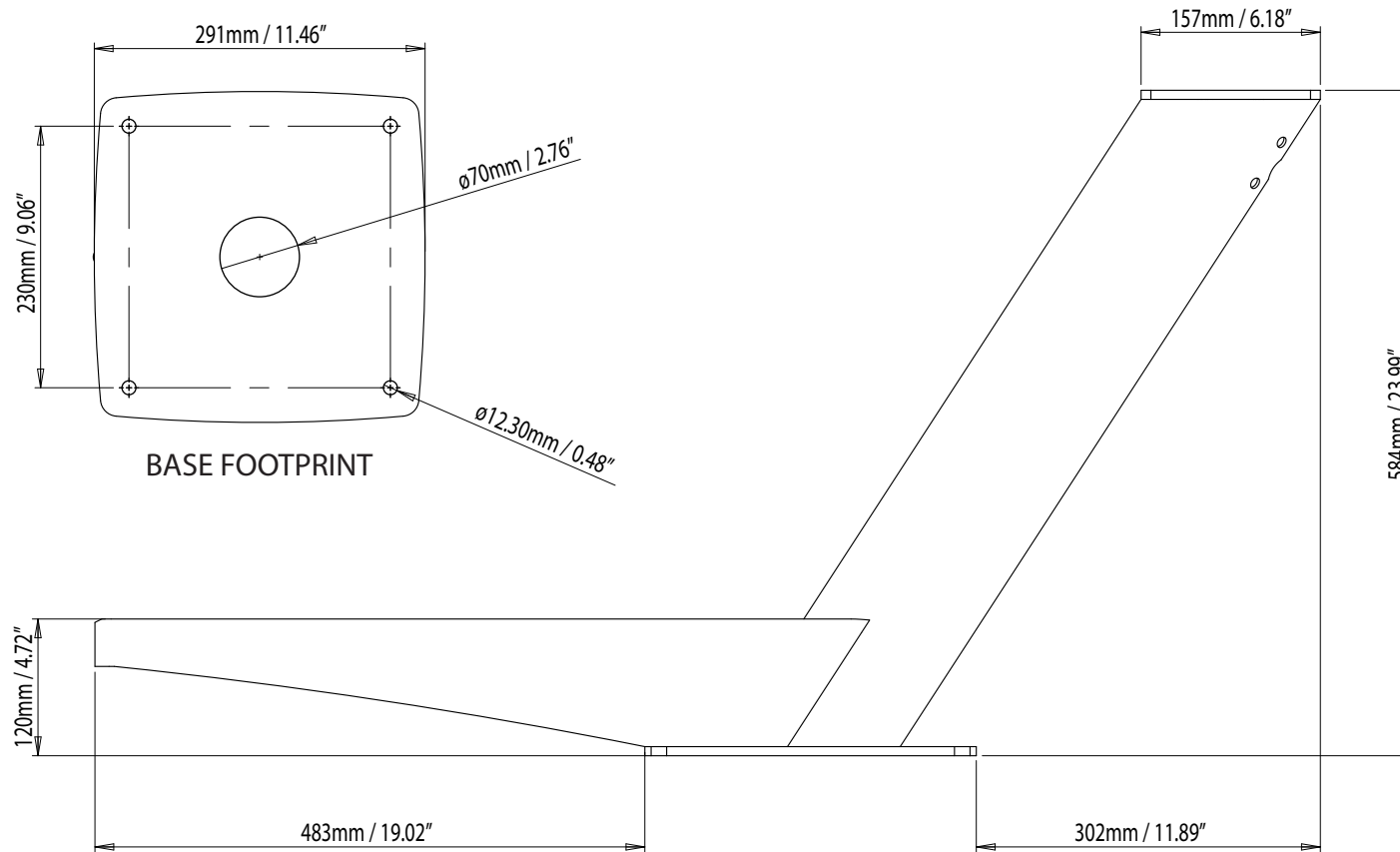
### Tools Required

|   |                                   |
|---|-----------------------------------|
|  | Hole Saw<br>ø50-70mm (2" - 2.75") |
|  | Power drill                       |
|  | ø10.5mm (27/64") Drill Bit        |
|  | 8-10mm Flat Screwdriver           |
|  | 13mm Spanner                      |

### Parts Required



# Dual PowerTower® DPT-OA



**SCANSTRUT**  
designed for life at sea