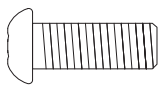
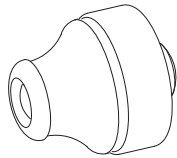

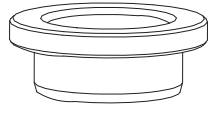

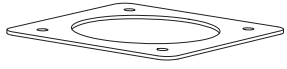
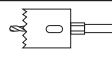


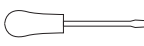
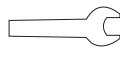


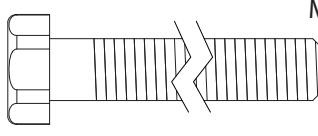
### Parts List

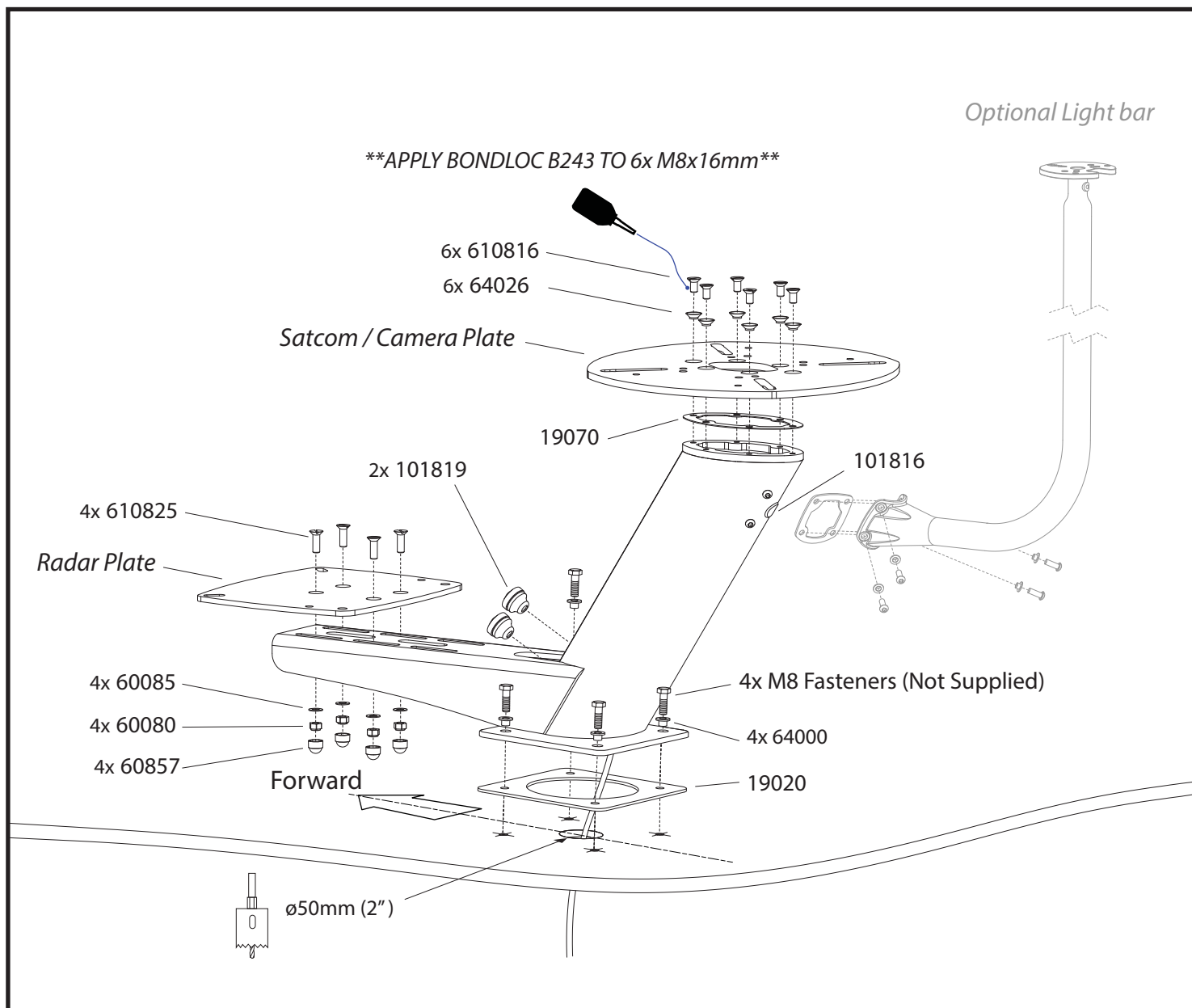
M6x16mm  60617	x4	Cable Grommet  101819	x2	DPT gasket  19070	x1
M8 Nylon Shoulder washer  64000	x4	Blanking Plug  101816	x1	Base Seal  19020	x1

### Tools Required

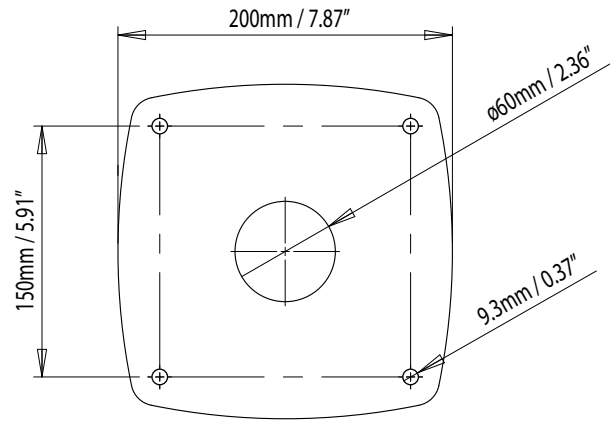
	Hole Saw ø50mm (2")
	Power drill
	ø8.5mm (21/64") Drill Bit
	8-10mm Flat Screwdriver
	13mm Spanner

### Parts Required

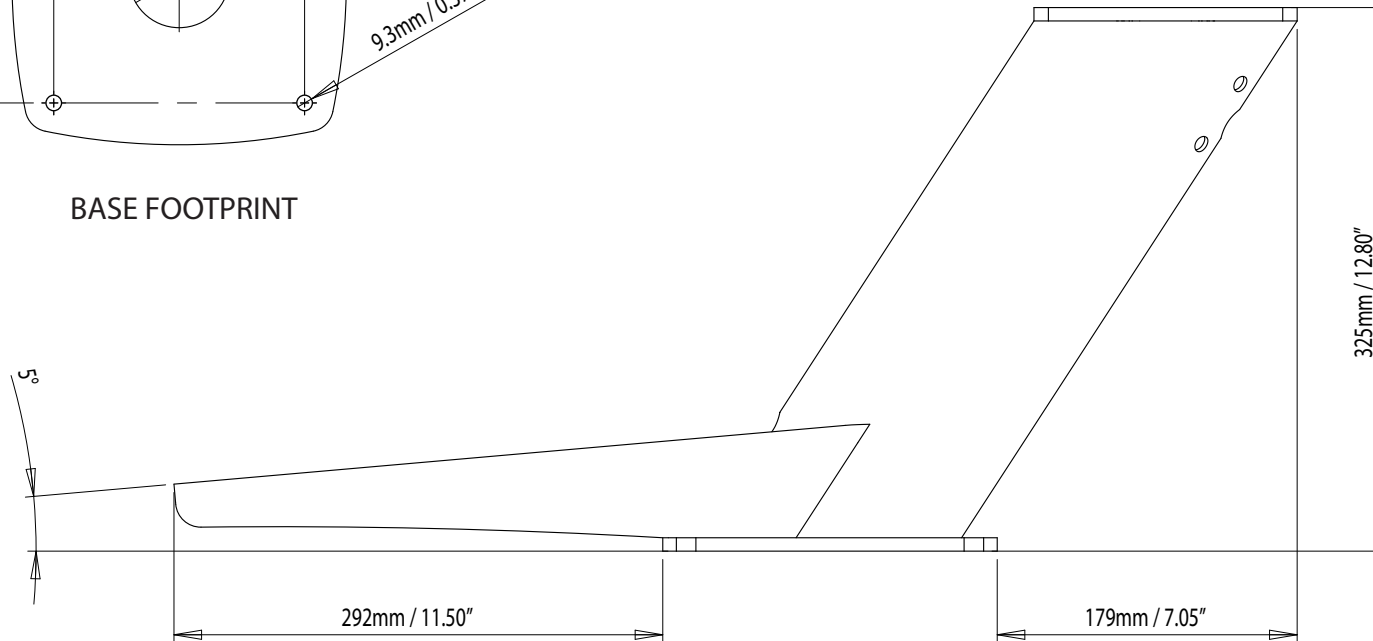
	M8 x 25mm+
	x4



# Dual PowerTower® DPT-R-COMP



BASE FOOTPRINT



**SCANSTRUT**  
designed for life at sea

Learn more about marine electronics and navigation on our website.