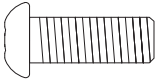
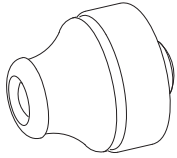

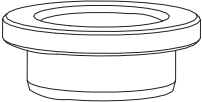





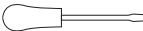



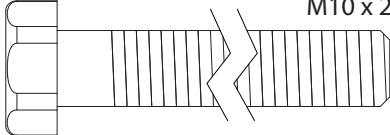
### Parts List

M6x16mm  60617	x4	Cable Grommet  101819	x2	DPT gasket  19070	x1
M10 Nylon Shoulder washer  64004	x4	Blanking Plug  101816	x1	Base Seal  19008	x1

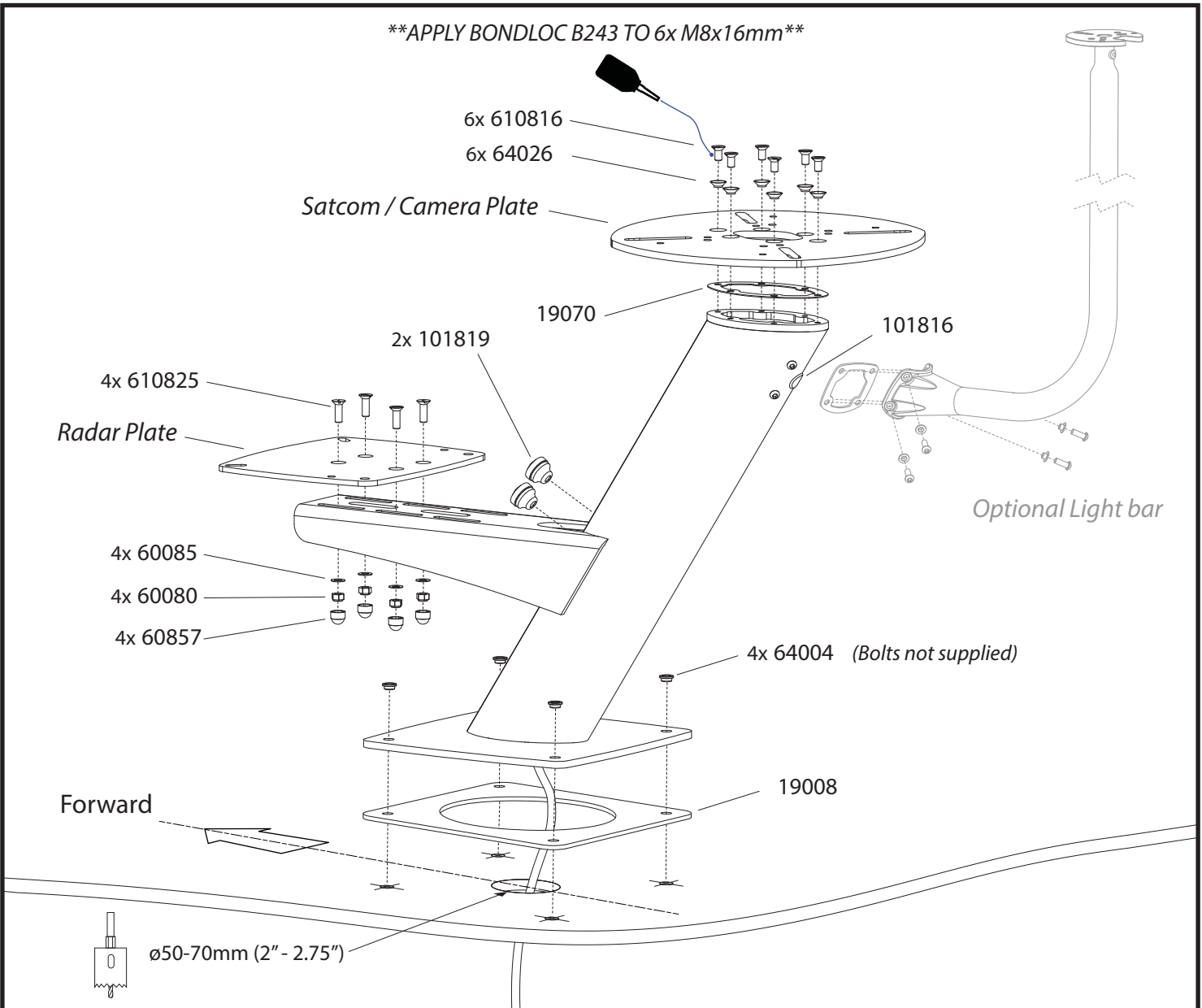
### Tools Required

	Hole Saw ø50-70mm (2" - 2.75")
	Power drill
	ø10.5mm (27/64") Drill Bit
	8-10mm Flat Screwdriver
	13mm Spanner

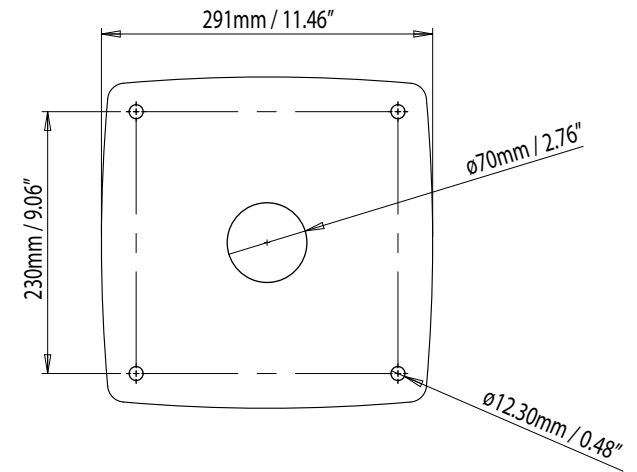
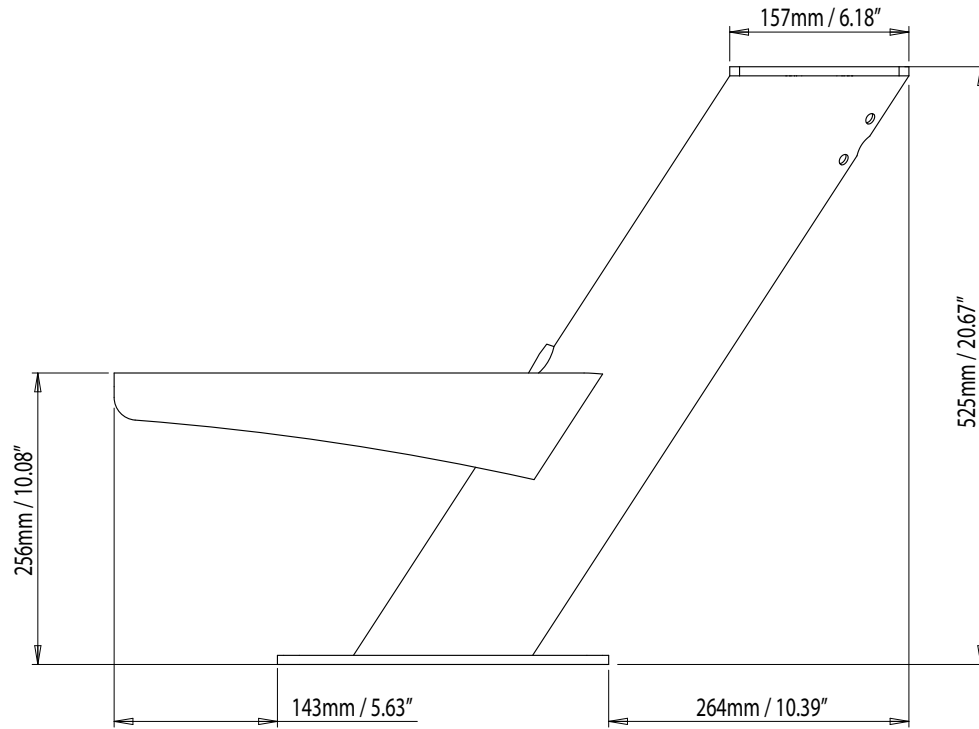
### Parts Required

	M10 x 25mm+	x4
---	-------------	----

**\*\*APPLY BONDLOC B243 TO 6x M8x16mm\*\***



# Dual PowerTower® DPT-R



BASE FOOTPRINT



**SCANSTRUT**  
designed for life at sea

Learn more about marine electronics and navigation on our website.