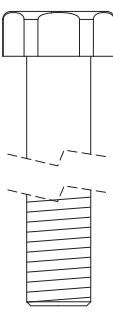
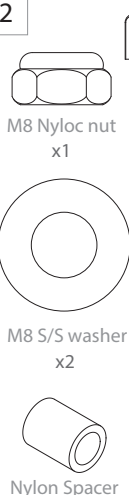
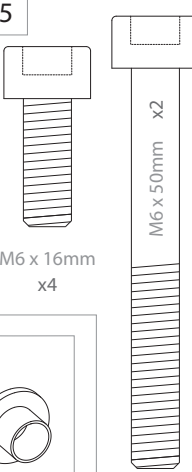
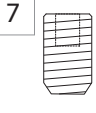
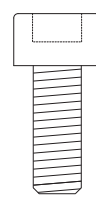

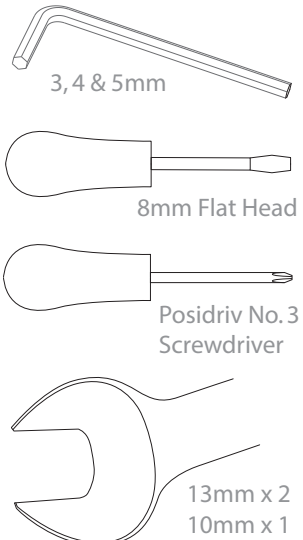
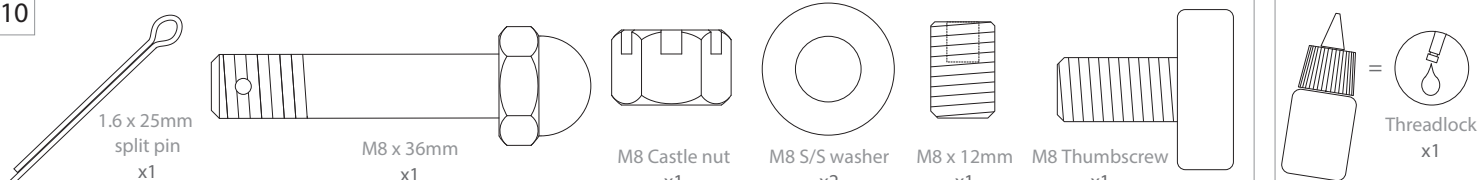


Scanstrut Backstay Self-Levelling Mount Installation Instructions

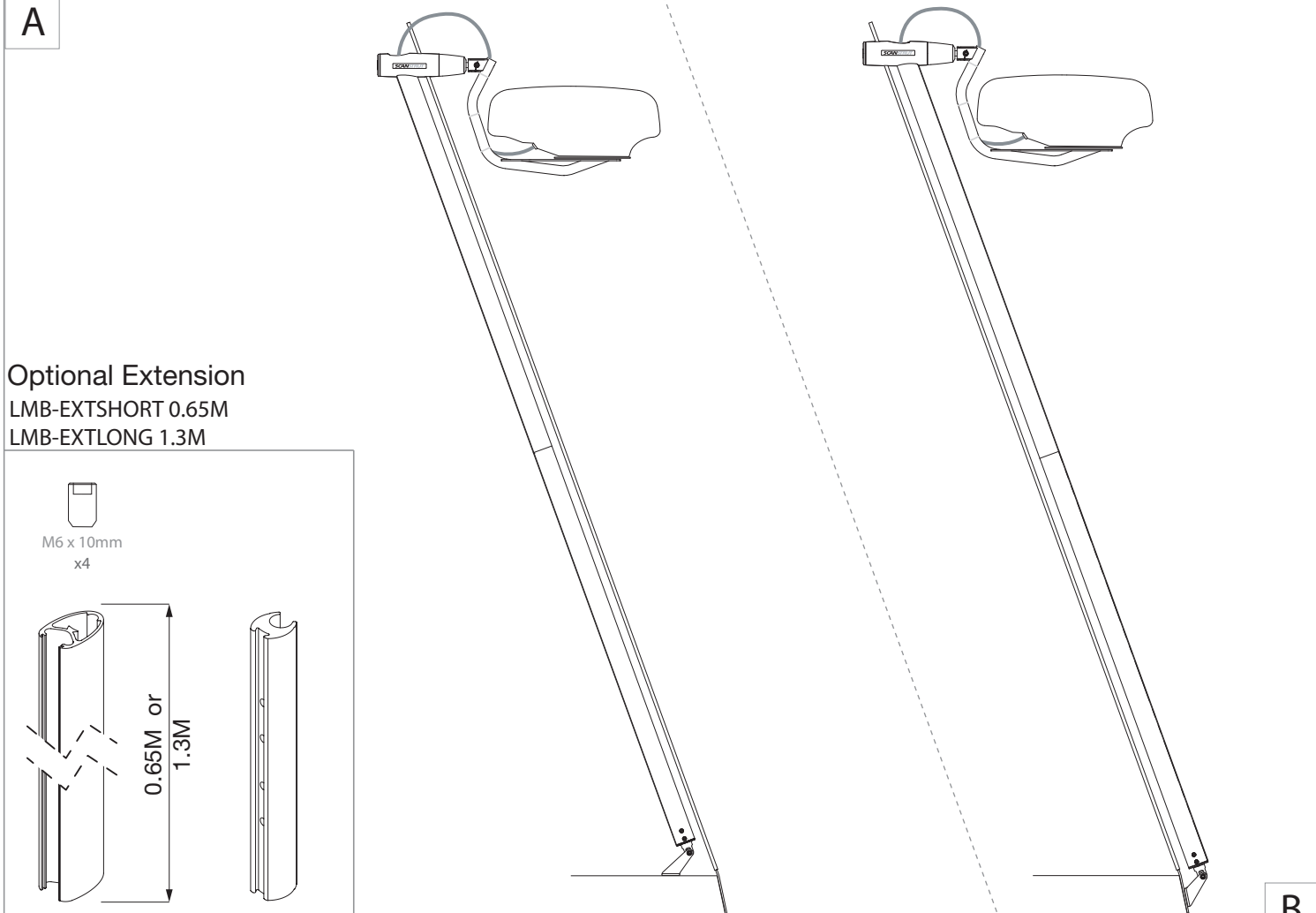
LMB-A1 / LMB-A2

Issue 7

Tools Required

<p>1</p>  <p>M8 x (?)mm x2 (Not Supplied)</p>	<p>2</p>  <p>M8 Nyloc nut x1 M8 S/S washer x2 Nylon Spacer x1</p>	<p>5</p>  <p>M6 x 16mm x4 M6 x 50mm x2</p>	<p>7</p>  <p>M6 x 10mm x2</p>	<p>8</p>  <p>M6 x 16mm x8</p>	<p>9</p>  <p>M6 x 20mm x4 60065 6mm S/S Washer x4 60066 M6 Spring Washer S/S x4 60060 - M6 S/S Nyloc Nut x4</p>	 <p>3, 4 & 5mm 8mm Flat Head Posidriv No. 3 Screwdriver 13mm x 2 10mm x 1</p>
<p>10</p>  <p>1.6 x 25mm split pin x1 M8 x 36mm x1 M8 Castle nut x1 M8 S/S washer x2 M8 x 12mm x1 M8 Thumbscrew x1 Threadlock x1</p>						

A

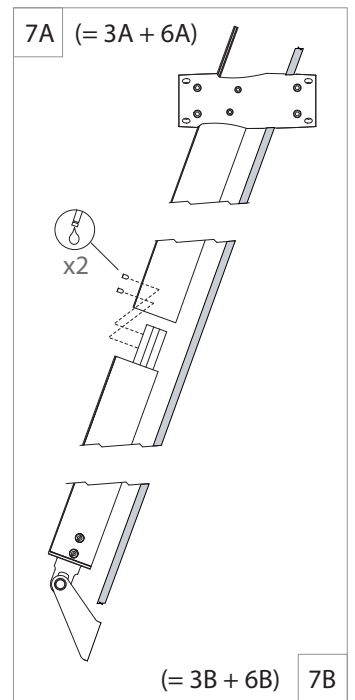
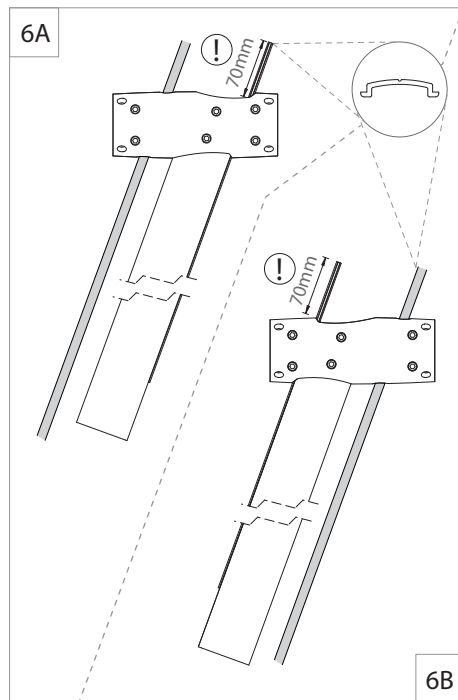
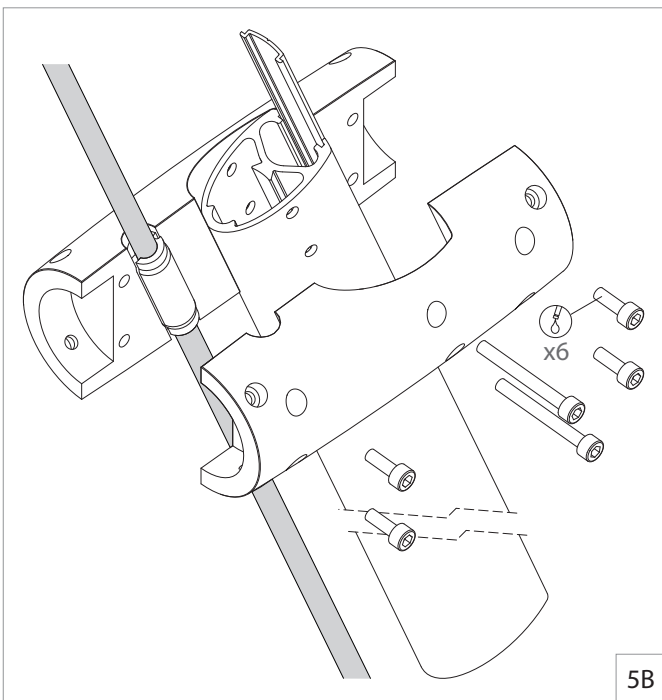
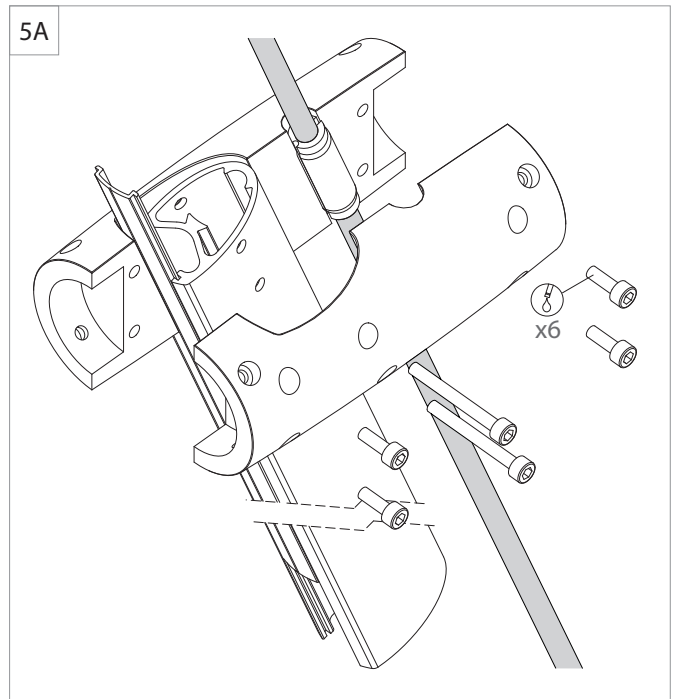
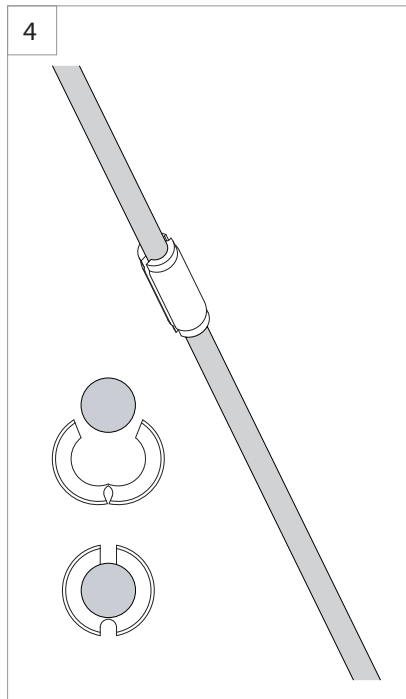
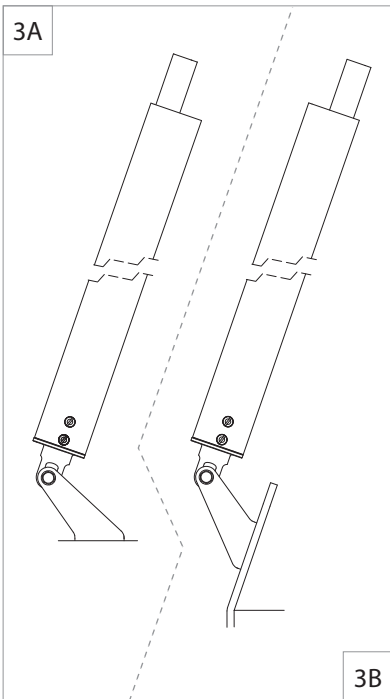
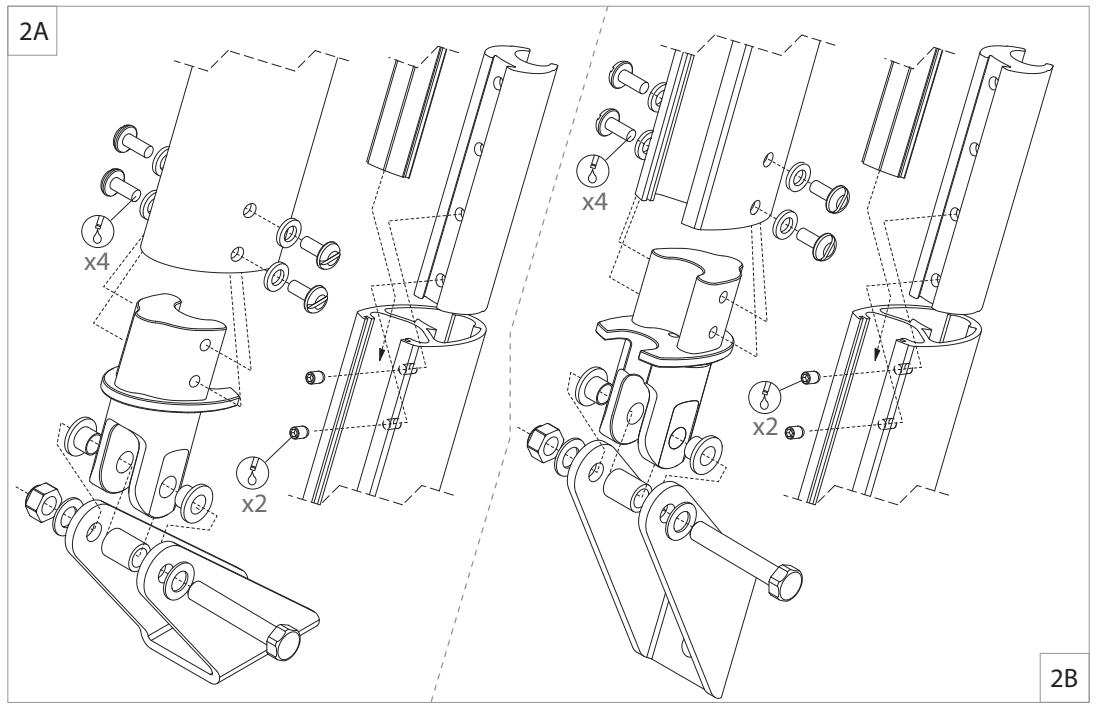
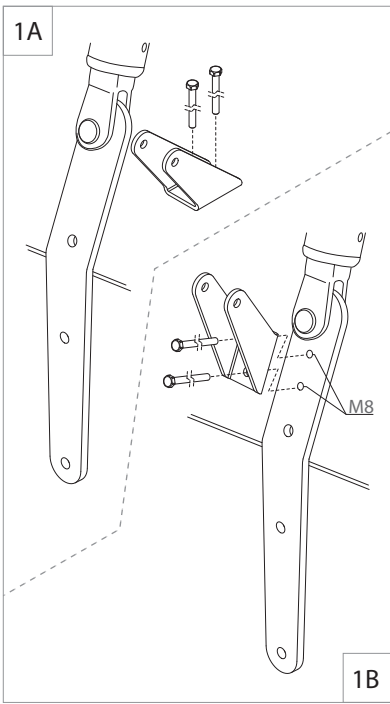


Optional Extension
LMB-EXTSHORT 0.65M
LMB-EXTLONG 1.3M

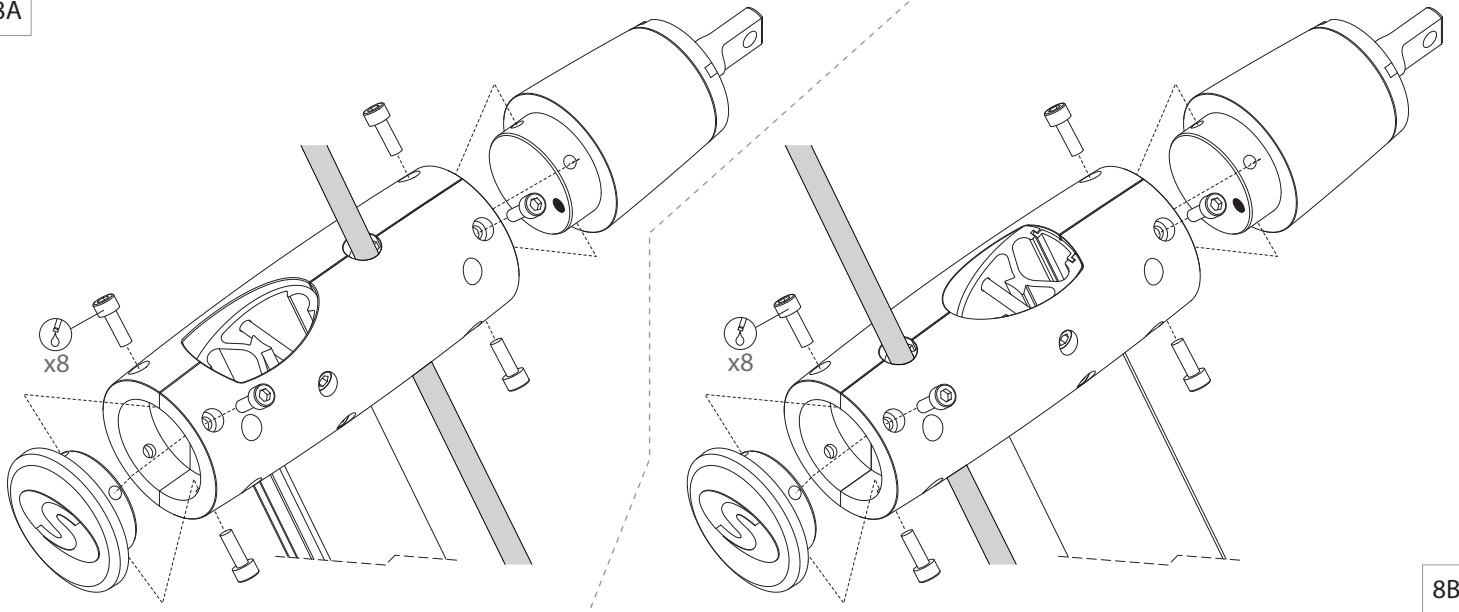
M6 x 10mm
x4

0.65M or
1.3M

B



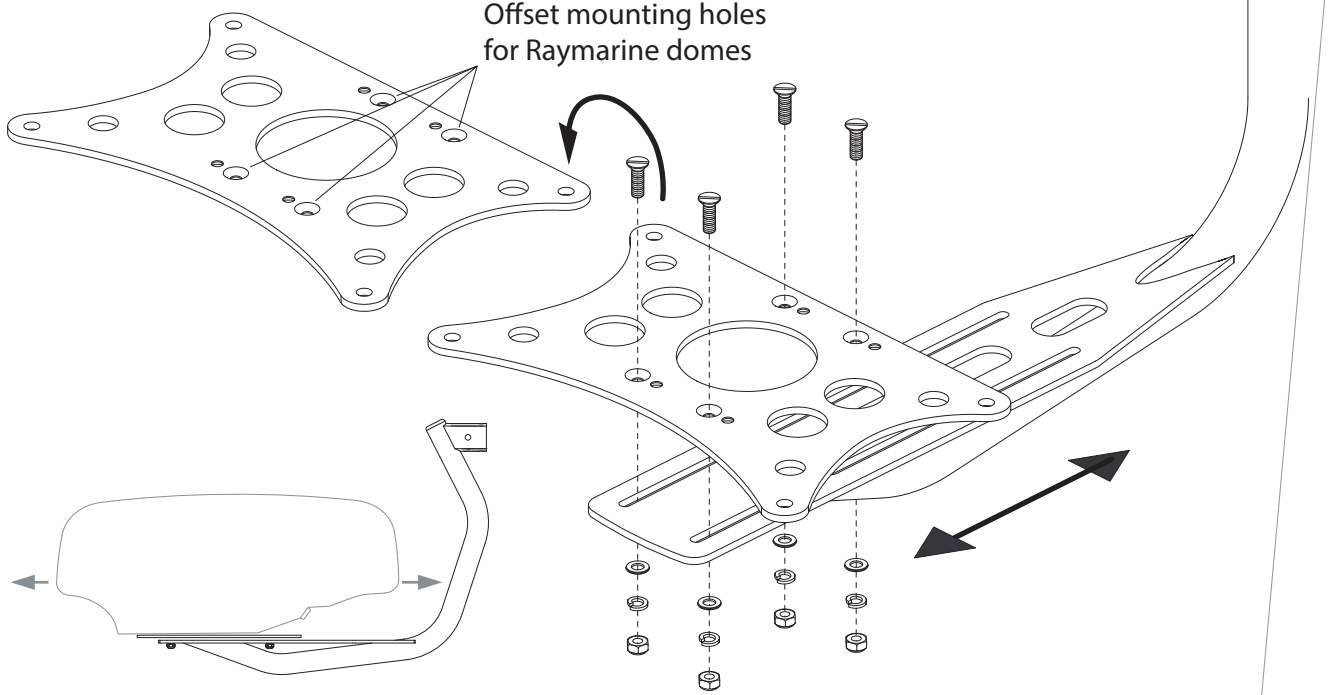
8A



8B

9

Offset mounting holes
for Raymarine domes



10

