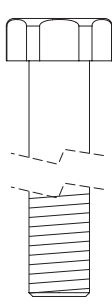
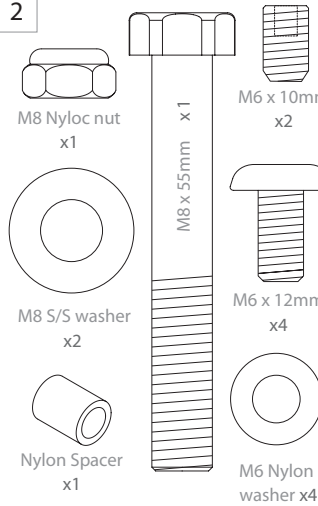
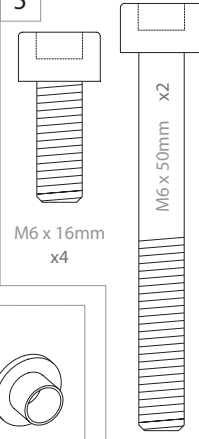



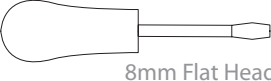
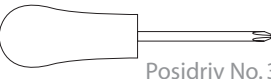
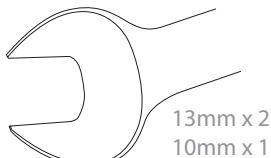
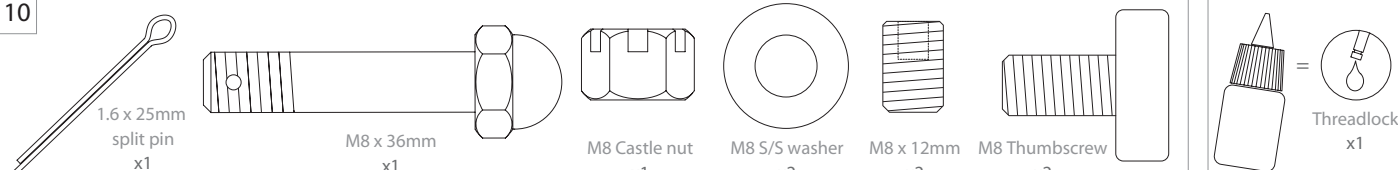


Scanstrut Backstay Self-Levelling Mount Installation Instructions (LMB-F1/LMB-F2)

Tools Required

<p>1</p>  <p>M8 x (?)mm x2 (Not Supplied)</p>	<p>2</p>  <p>M8 Nyloc nut x1</p> <p>M8 S/S washer x2</p> <p>Nylon Spacer x1</p> <p>M8 x 55mm x1</p> <p>M6 x 10mm x2</p> <p>M6 x 12mm x4</p> <p>M6 Nylon washer x4</p> <p>M6 Nylon shoulder x2</p>	<p>5</p>  <p>M6 x 16mm x4</p> <p>M6 x 50mm x2</p>	<p>7</p>  <p>M6 x 10mm x2</p>	<p>9</p>  <p>M6 x 20mm x4</p> <p>60065 6mm S/S Washer x4</p> <p>60066 M6 Spring Washer S/S x4</p> <p>60060 - M6 S/S Nyloc Nut x4</p>	<p>3, 4 & 5mm</p>  <p>8mm Flat Head</p>  <p>Posidriv No. 3 Screwdriver</p>  <p>13mm x 2 10mm x 1</p> 
---	---	---	---	---	---

10



1.6 x 25mm
split pin
x1

M8 x 36mm
x1

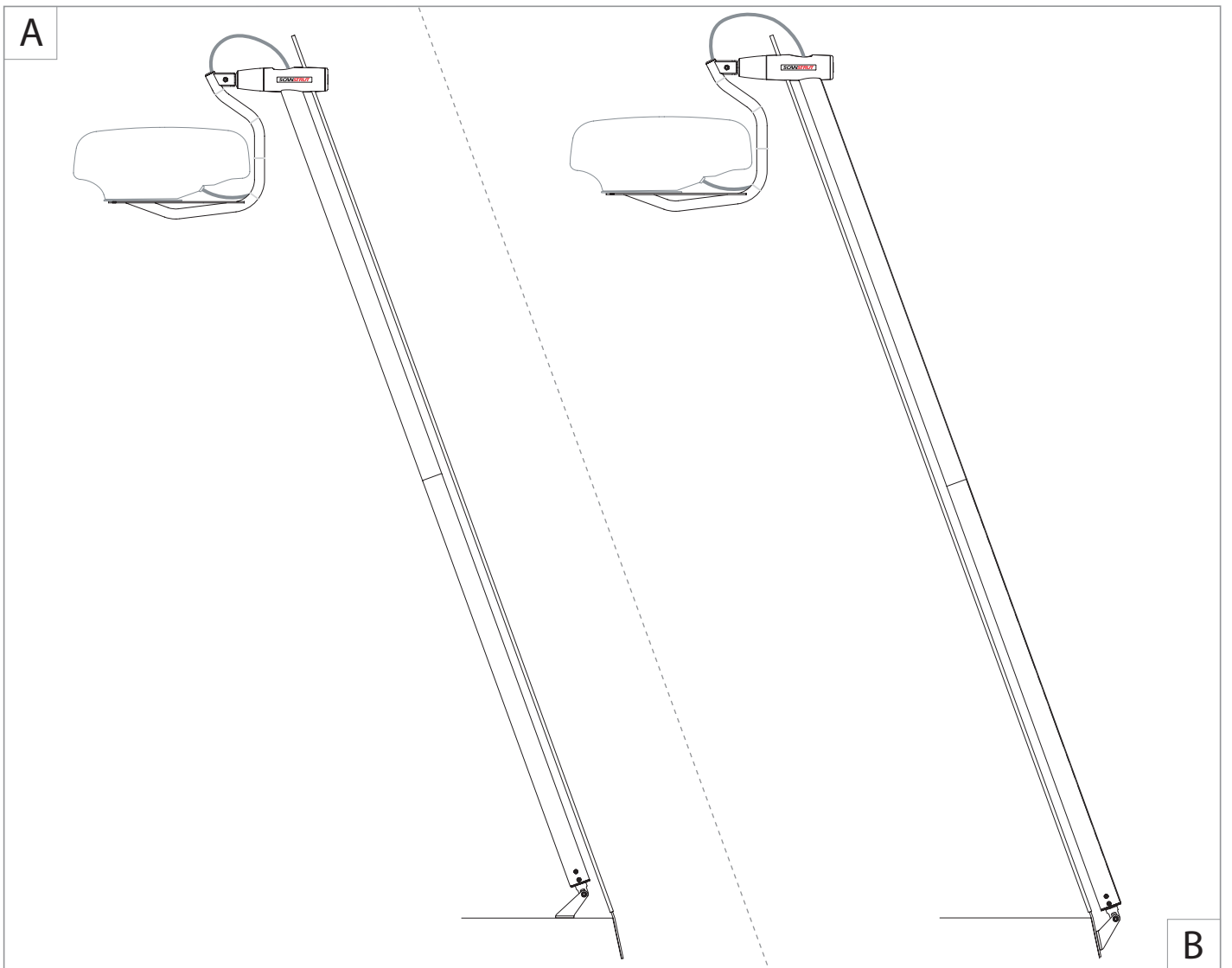
M8 Castle nut
x1

M8 S/S washer
x2

M8 x 12mm
x2

M8 Thumbscrew
x2

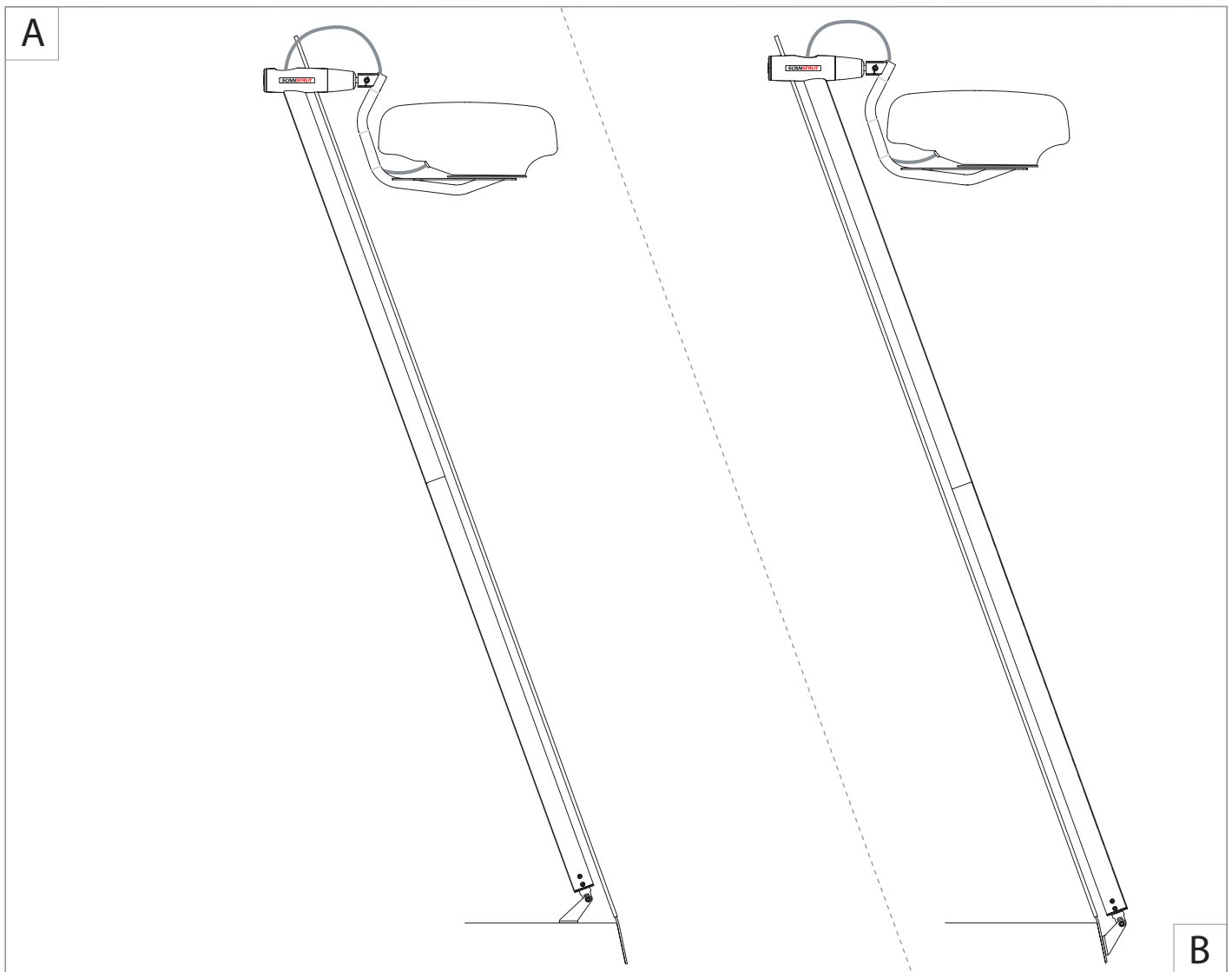
Threadlock
x1

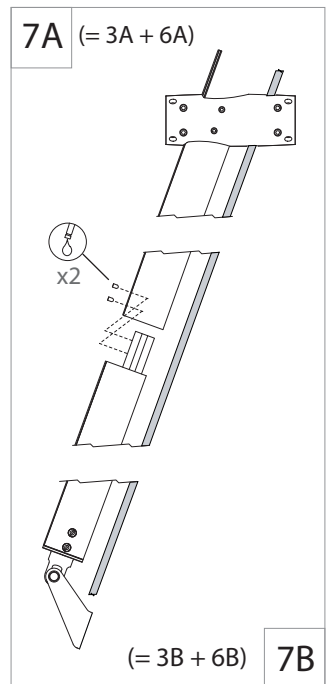
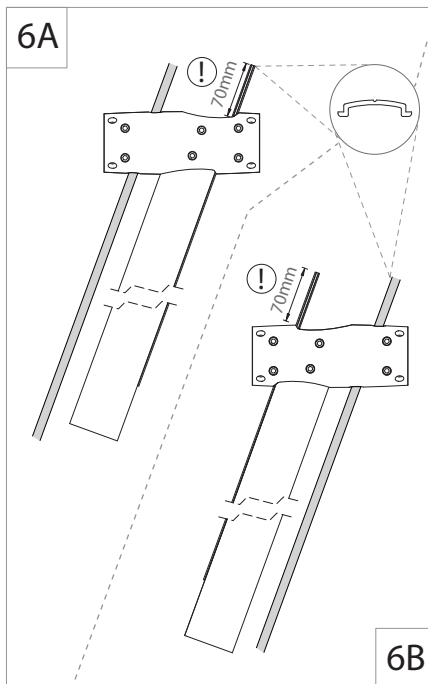
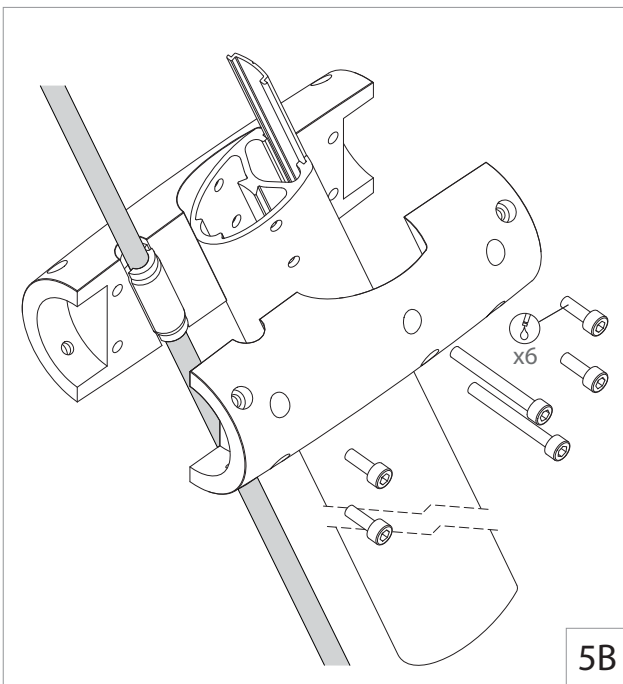
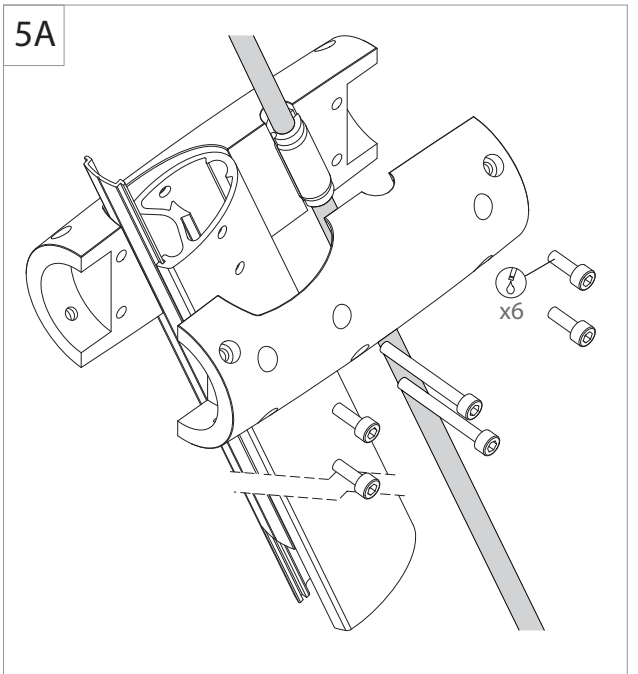
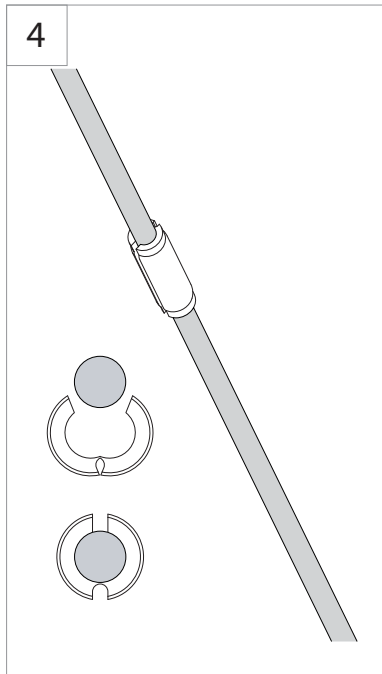
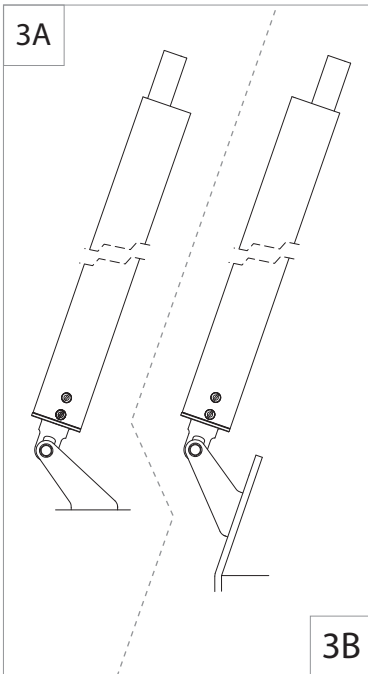
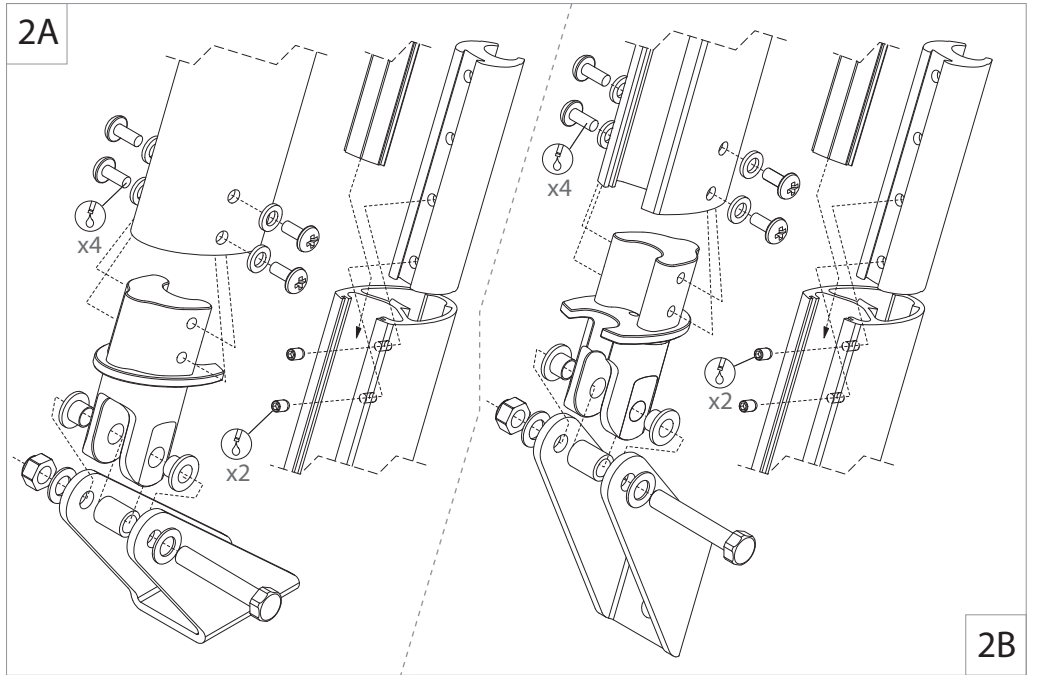
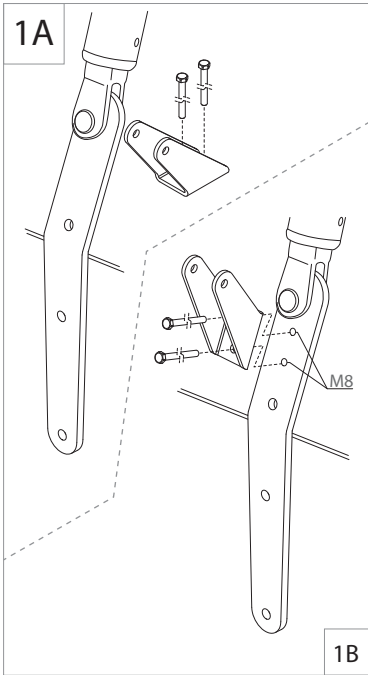


Scanstrut Backstay Self-Levelling Mount Installation Instructions (LMB-A1/LMB-A2)

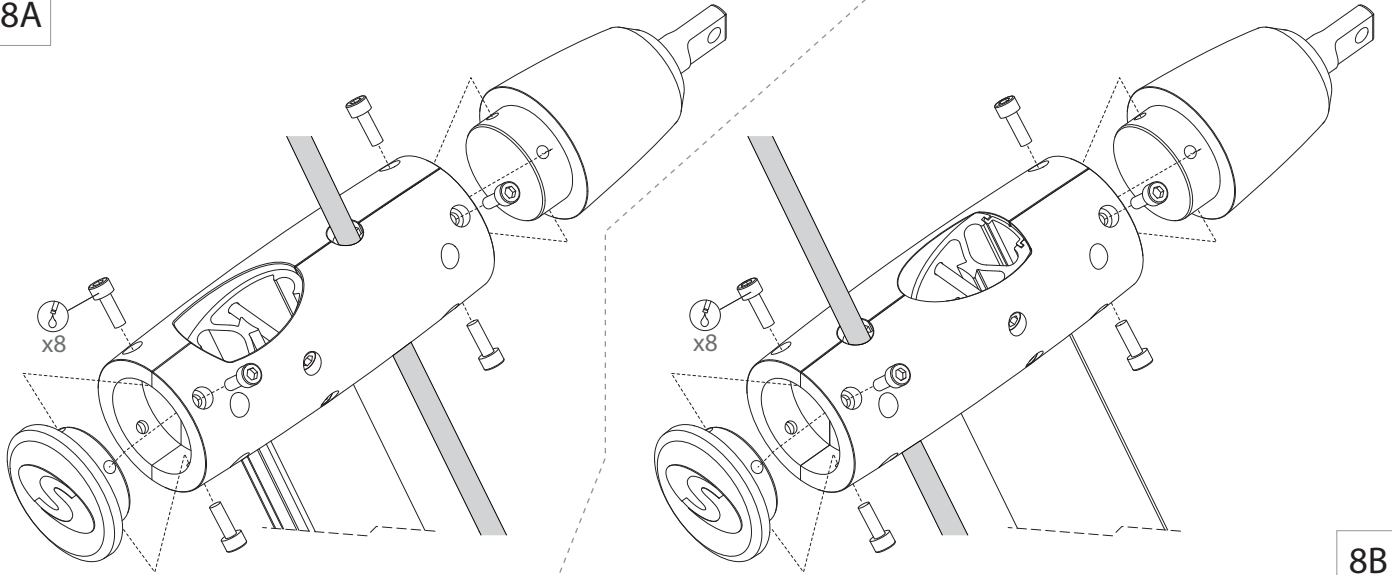
Tools Required

<p>1</p> <p>M8 x (?)mm x2 (Not Supplied)</p>	<p>2</p> <p>M8 Nyloc nut x1 M8 S/S washer x2 Nylon Spacer x1 M8 x 55mm x1 M6 x 10mm x2 M6 x 12mm x4 M6 Nylon washer x4</p>	<p>5</p> <p>M6 x 16mm x4 M6 x 50mm x2</p>	<p>7</p> <p>M6 x 10mm x2</p>	<p>9</p> <p>M6 x 20mm x4 60065 6mm S/S Washer x4 60066 M6 Spring Washer S/S x4 60060 - M6 S/S Nyloc Nut x4</p>	<p>3, 4 & 5mm 8mm Flat Head Posidriv No. 3 Screwdriver 13mm x 2 10mm x 1</p>		
<p>10</p> <p>1.6 x 25mm split pin x1 M8 x 36mm x1 M8 Castle nut x1 M8 S/S washer x2 M8 x 12mm x2 M8 Thumbscrew x2</p>							<p>Threadlock x1</p>





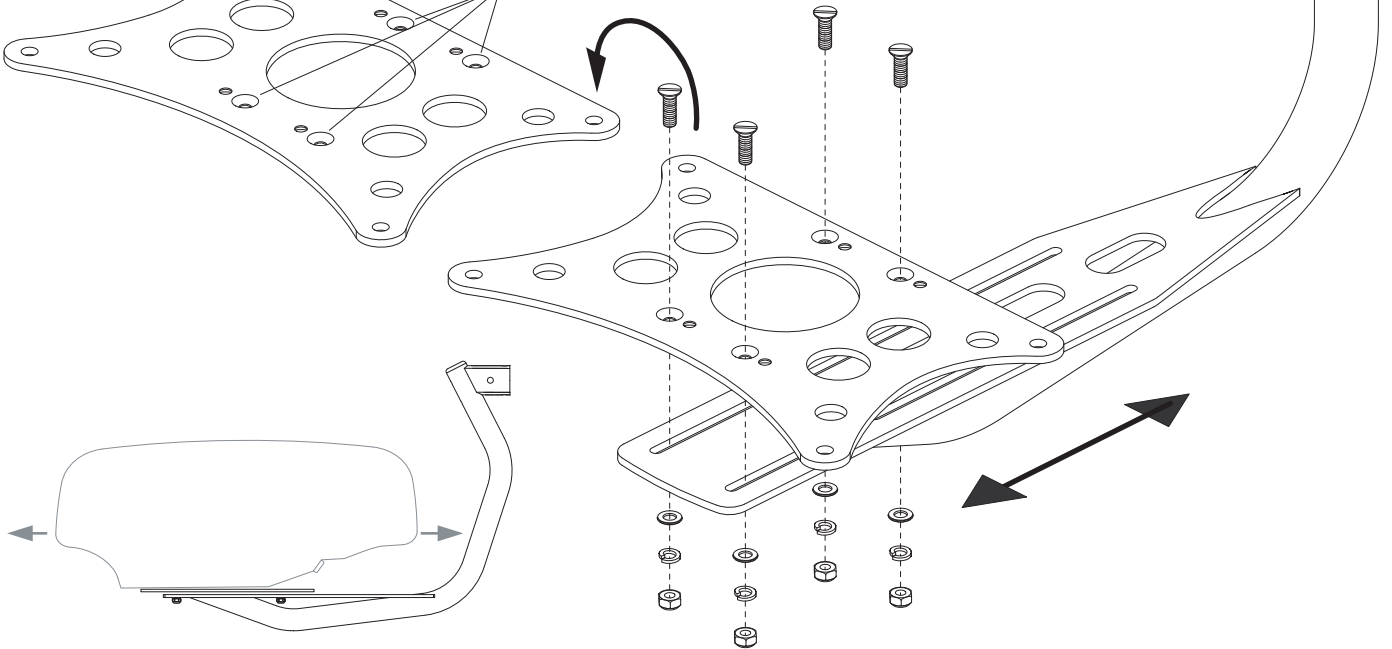
8A



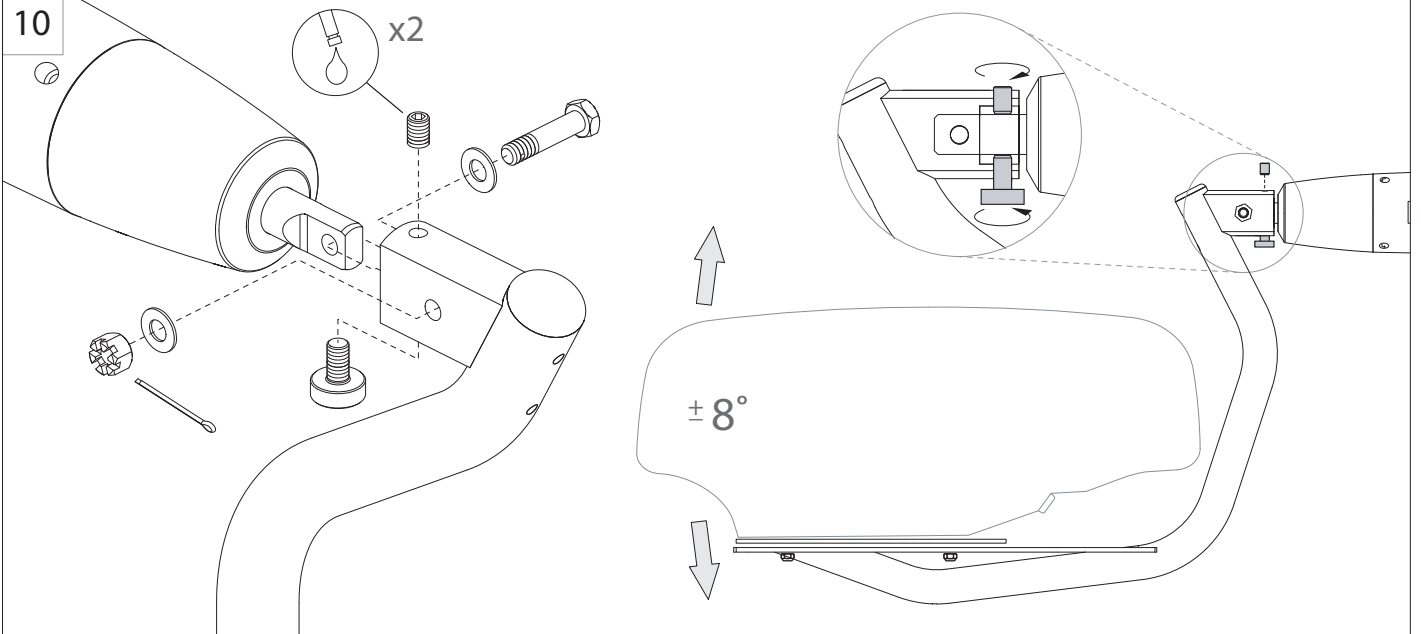
8B

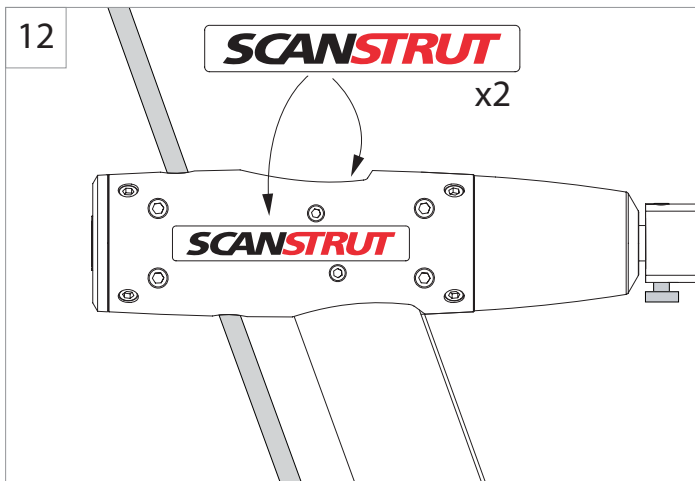
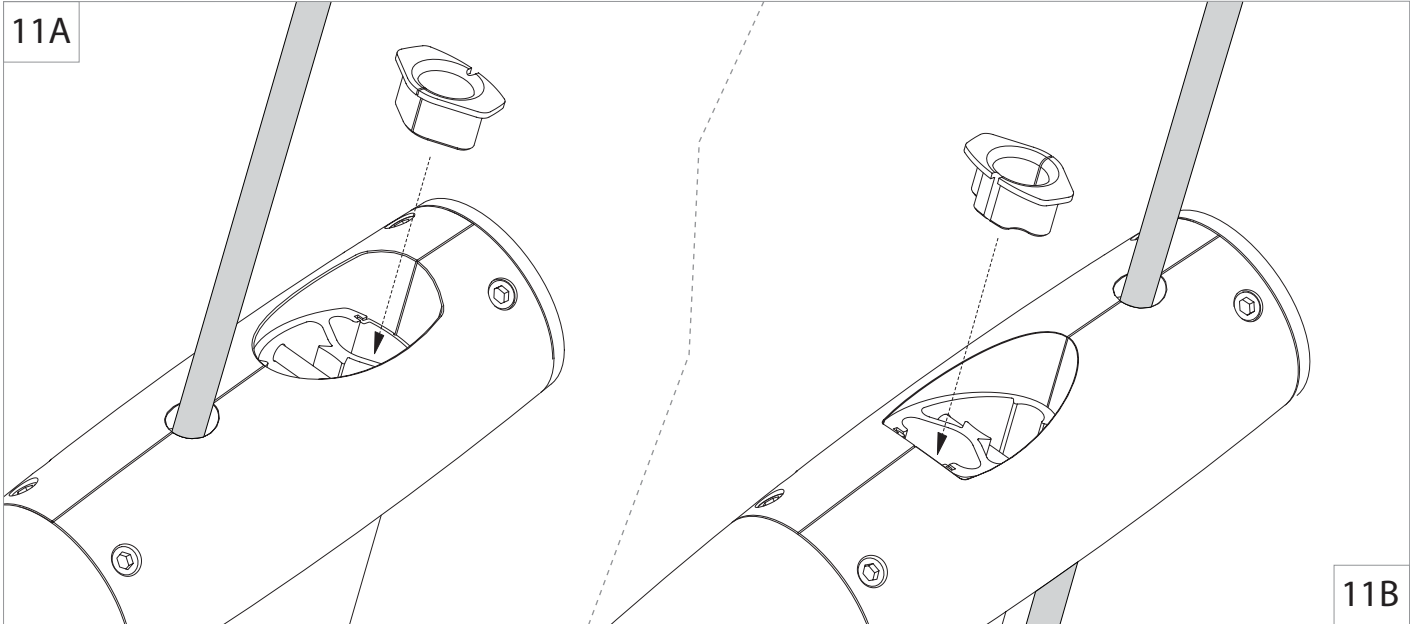
9

Offset mounting holes for Raymarine domes excluding Quantum which requires the plate to be located centrally.



10





IMPORTANT
 LMB-F1/A1 and LMB-F2/A2 are intended to mount a single radome as stated in the latest Scanstrut Product Guide – subject to change without prior notice. A GPS antenna can be installed using part LM-GPS.
 Use of the LMB-F1/A1 and LMB-F2/A2 with unapproved products, or overloading, invalidates any warranty.
 No liability is accepted for damage caused by incorrect installation.
 This product has been designed specifically for the mounting of approved radar (listed in the latest Scanstrut Product Guide.) under normal boating conditions.
 This product is not designed to withstand overload, impact, excessive force or entanglement in sails and rigging.
 The installation and assembly must be regularly inspected for evidence of damage or loose parts.
 This product is designed to fit backstay cables from Ø7 [0.27"] to Ø14mm [0.55"].
 For installations that differ from those stated here, please consult Scanstrut head office.

