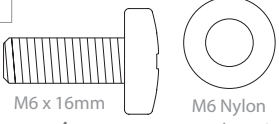
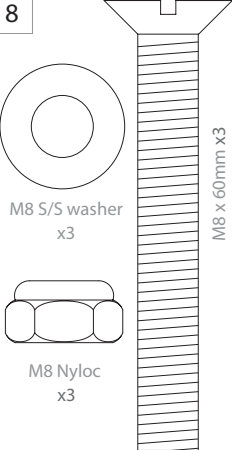


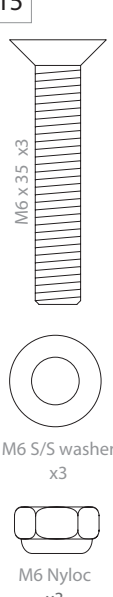
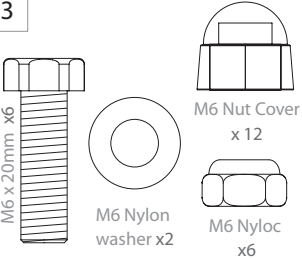
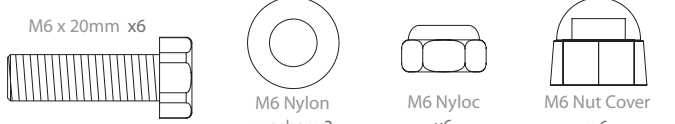
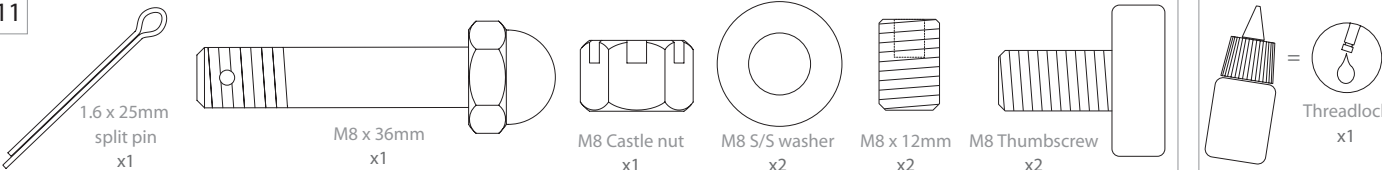


# Scanstrut Self-Levelling Pole Mount Installation Instructions (LMP-1/LMP-2)

## Tools Required

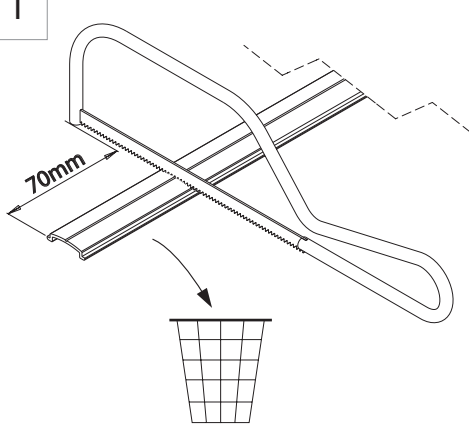
<p><b>2</b></p>  <p>M6 x 16mm x4 M6 Nylon washer x4</p>	<p><b>8</b></p>  <p>M8 S/S washer x3 M8 x 60mm x3</p>	<p><b>9</b></p>  <p>M6 x 12mm x4 M6 Nylon washer x4</p>	<p><b>10</b></p>  <p>M6 x 20mm x4 6mm S/S Washer x4 60066 6mm Spring Washer x4 M6 S/S Nyloc Nut x4</p>	<p><b>15</b></p>  <p>M6 x 35 x3 M6 S/S washer x3 M6 Nyloc x3</p>	<p>4mm 8mm Flat Head Posidriv No. 3 Screwdriver 13mm x 2 10mm x 1 Ø6.5, Ø8.5mm</p>
<p><b>3</b></p>  <p>M6 x 20mm x6 M6 Nylon washer x2 M6 Nut Cover x12 M6 Nyloc x6</p>	<p><b>14</b></p>  <p>M6 x 20mm x6 M6 Nylon washer x3 M6 Nyloc x6 M6 Nut Cover x6</p>				

**11**



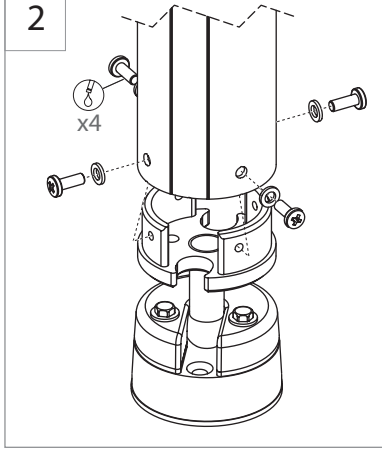
1.6 x 25mm split pin x1  
M8 x 36mm x1  
M8 Castle nut x1  
M8 S/S washer x2  
M8 x 12mm x2  
M8 Thumbscrew x2  
Threadlock x1

**1**



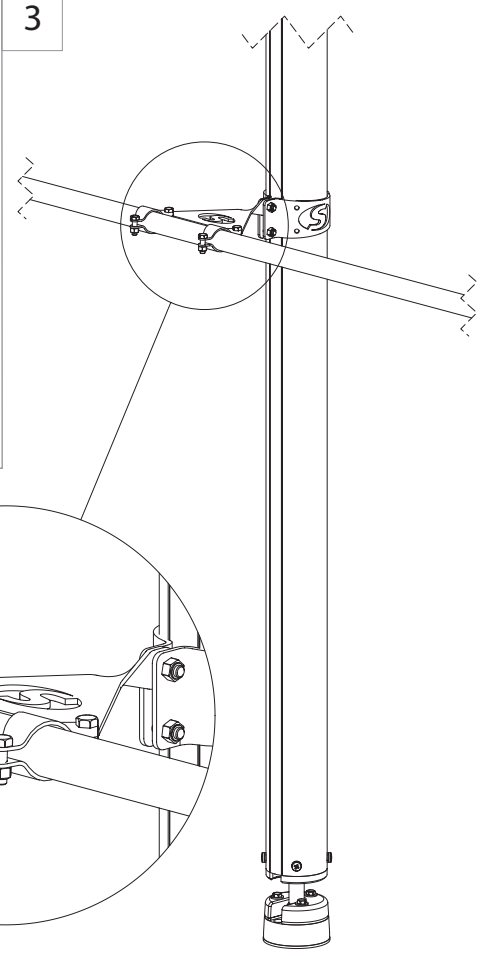
70mm

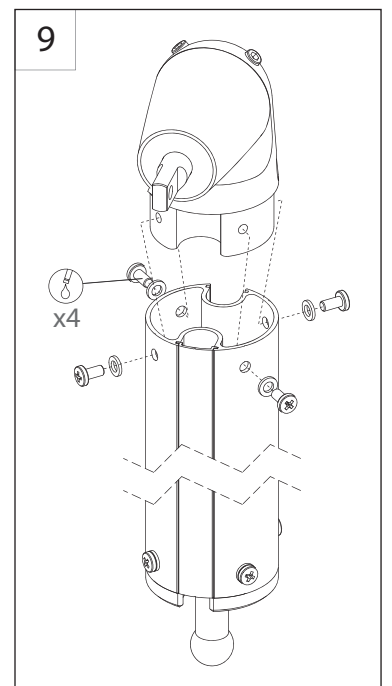
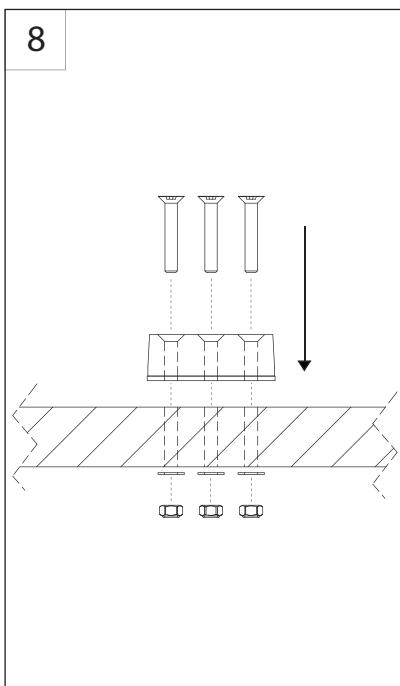
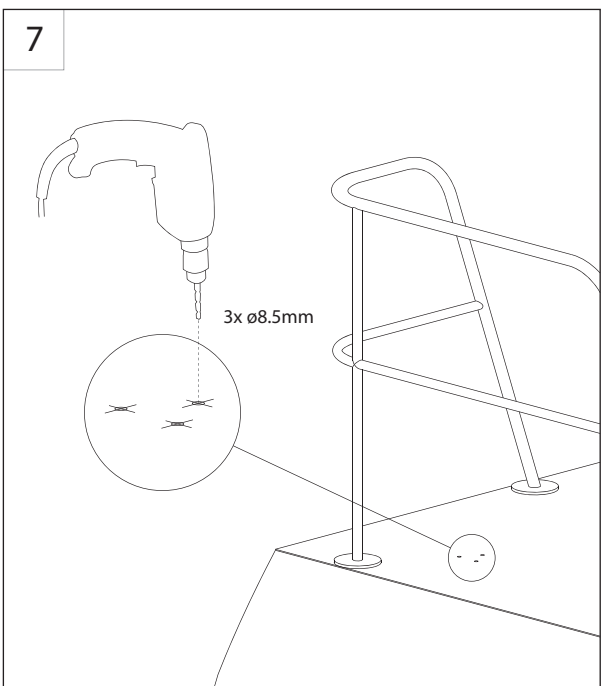
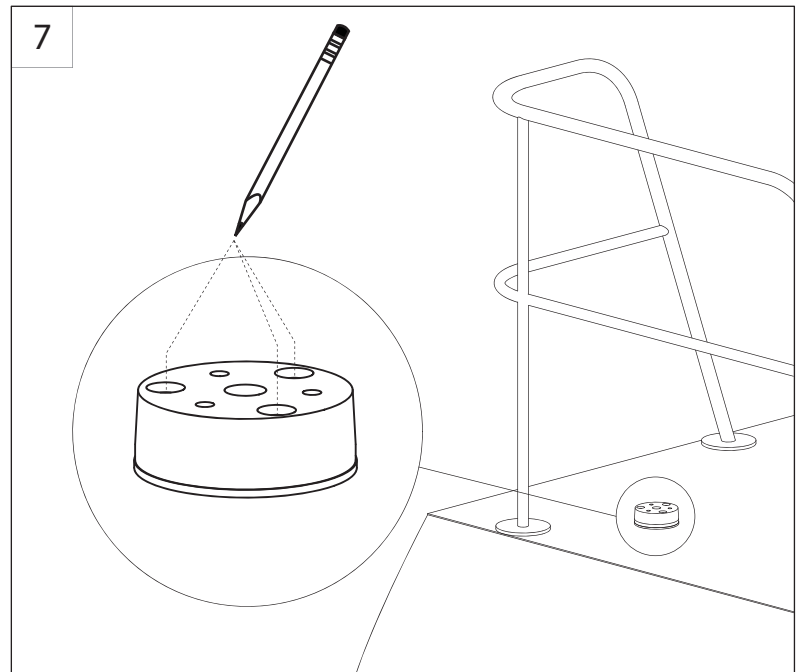
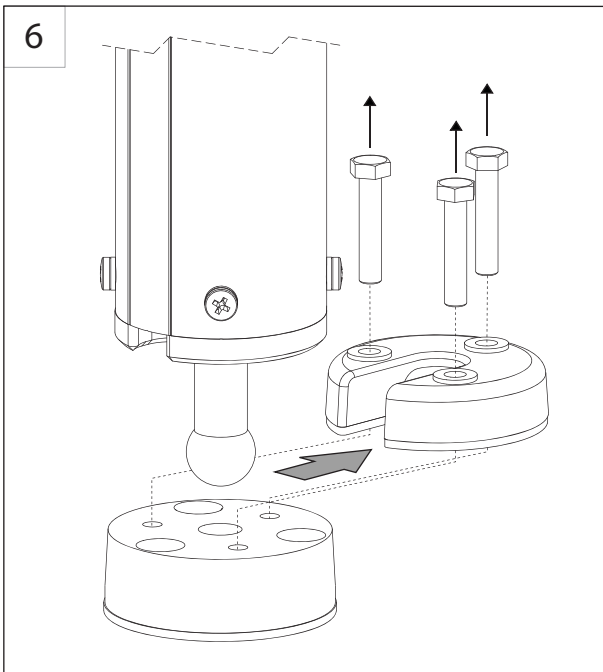
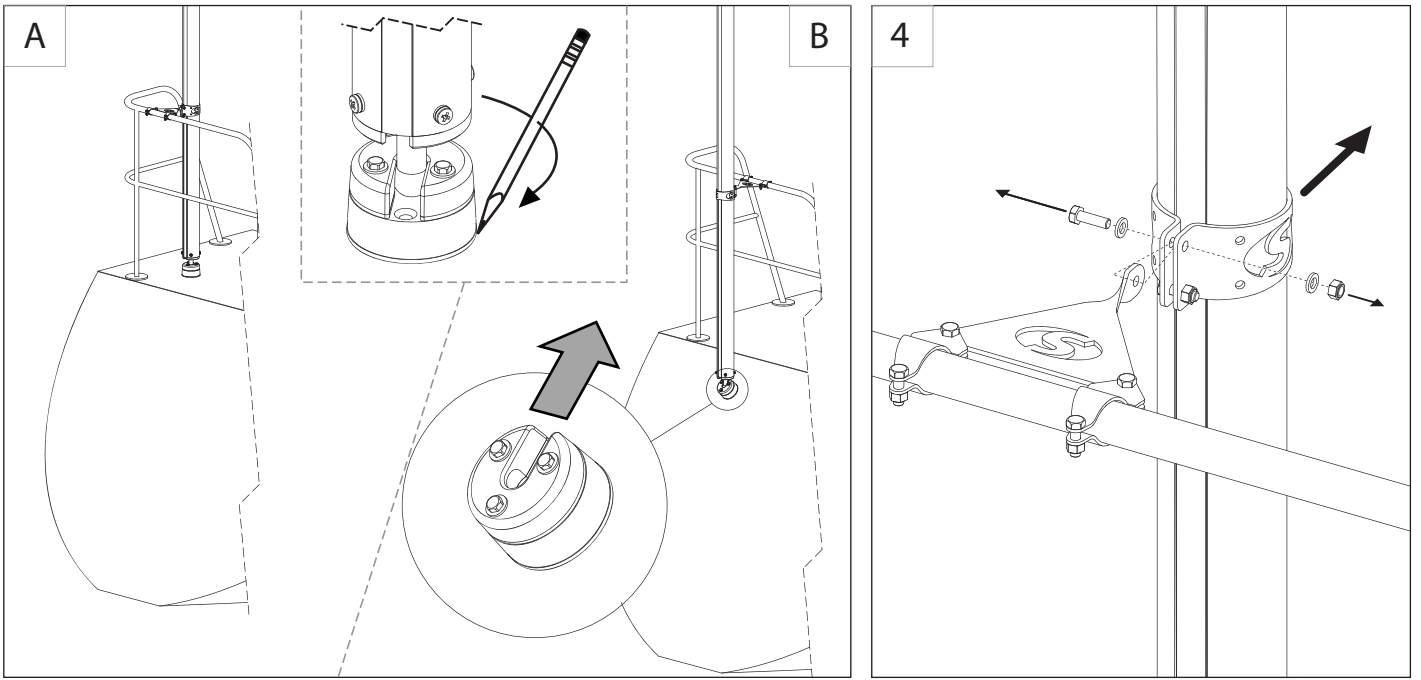
**2**



x4

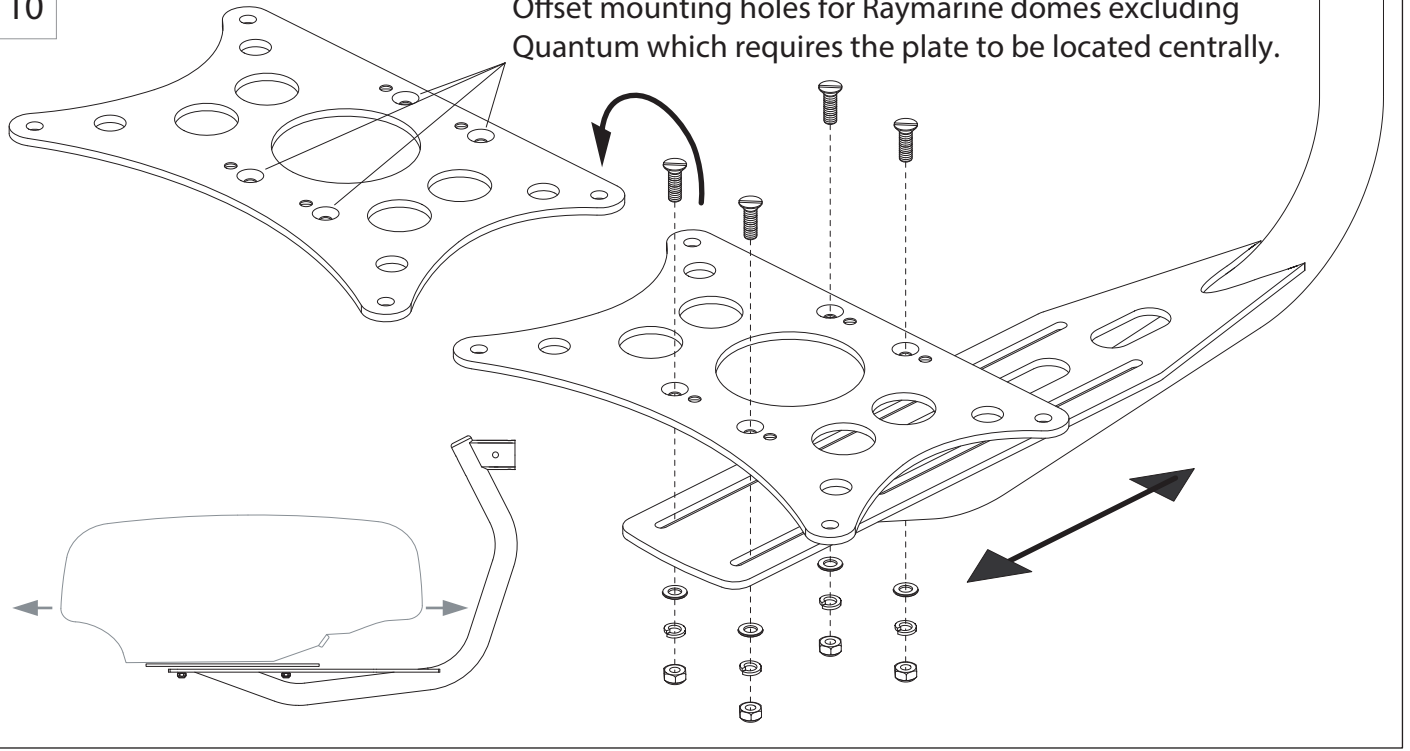
**3**



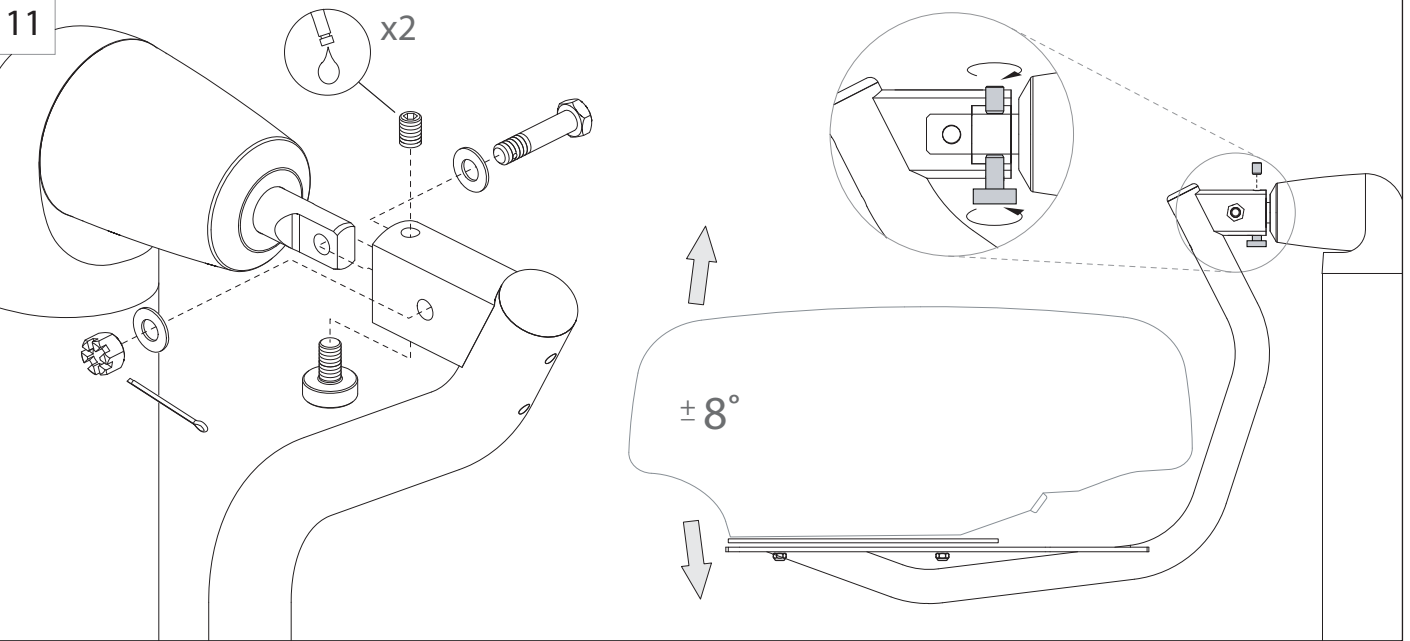


10

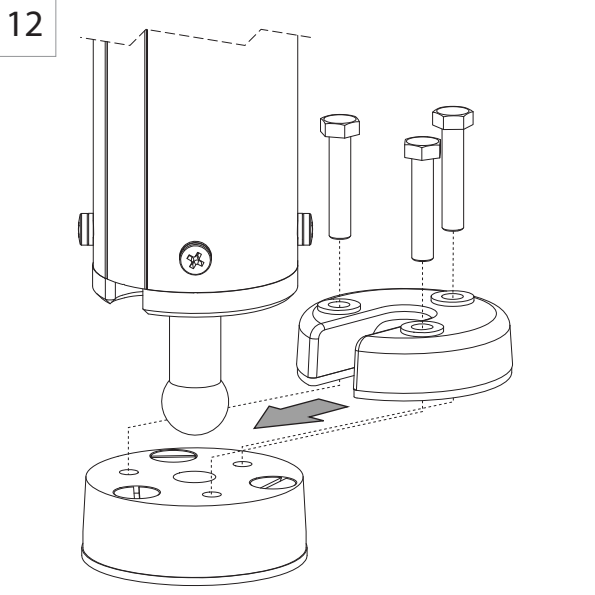
Offset mounting holes for Raymarine domes excluding Quantum which requires the plate to be located centrally.



11



12



13

