

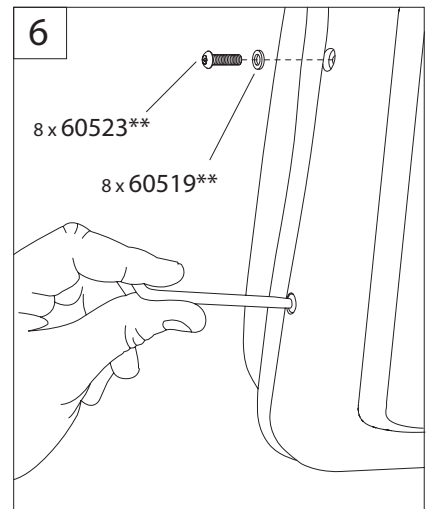
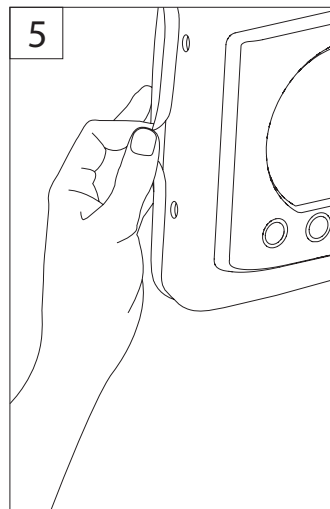
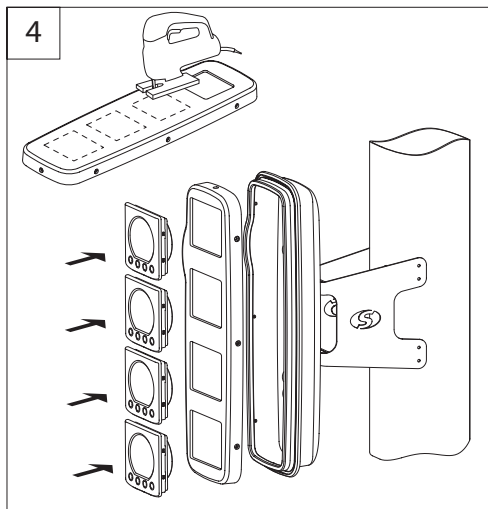
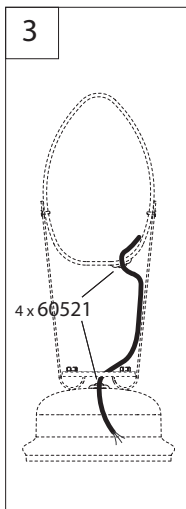
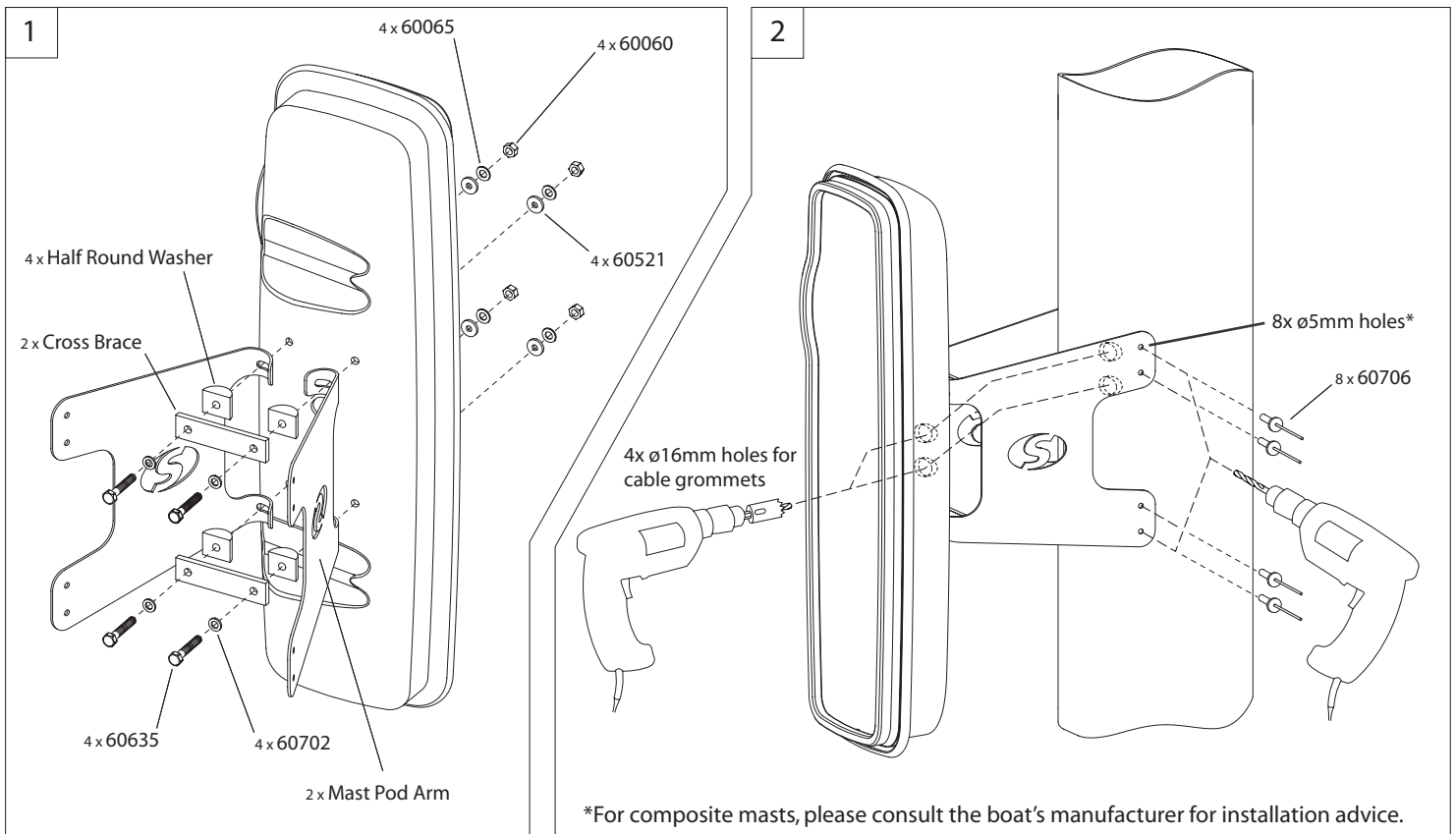
Scanstrut Scanpod Installation Instructions

Mast Pod

Parts List		Qty.			Qty.
	M5 x 20mm Pin torx 60523	8**		Half Round Washer	4
	5mm silicone washer 60519	8**		M6x35mm Hex Head Bolt 60635	4
	Mast Pod Back + Seal	1		6mm Nylon Washer 60702	4
	Pod Front	1		Neoprene Washer 60521	4
	Grommet 101817	4		6mm Stainless Steel Washer 60065	4
	Mast Pod Arm	2		M6 Nyloc nut 60060	4
	Cross Brace	2		4.8 x 12mm Rivet 60706	8

Tools Required	
	Power drill
	Hole Saw ø16mm (5/8")
	ø5mm Drill Bit
	2 x 10mm Spanner
	Rivet Gun

Tools Included	
	M5 Pin torx Key Wrench (63516)



** for SPM-2i, quantity is 6.

IMPORTANT

Mast Pods are only compatible with marine electronics devices as stated in the latest Scanstrut Product Guide – subject to change without prior notice.

Use with unapproved products, or overloading, invalidates any warranty.

No liability is accepted for damage caused by incorrect installation.

The installation and assembly must be regularly inspected for evidence of damage or loose parts.

This product has been designed specifically for the mounting of approved marine electronics devices and used under normal boating conditions.

This product is designed to suit aluminium masts with a maximum width at fixing point of 206mm [8.11"] and wall thickness in the range 2mm (5/64") - 5mm (3/16").

For installation on non-aluminium masts, or mast sections outside the above sizes, please consult Scanstrut Head Office.

The mast bracket arm assembly is not designed to be removed and re-installed once fitted.

For installations that differ from those stated here, please consult Scanstrut Head Office.