

Composite PowerTower - PT2001/4
Installation Instructions



PowerTower kit contents

- PowerTower
- Base Seal
- 8x Nylon Shoulder Washers for Ø8mm fixings
- 4 x Nylon Shoulder Washers for Ø10mm fixings
- IP67 Cable Grommet
- IP67 Cable Grommet Blanked

Also Required:

- 4 x M8 Stainless Steel bolts, large washers and nuts to attach PowerTower to deck/arch. Length to suit deck/arch thickness.
- Ø8.5mm and Ø9.0mm or Ø12.0mm Drills.
- Hole Cutter for cable loom; approx Ø50mm.

IMPORTANT:

[A] Check that the holes shown on the drilling template match that of your antenna.

[B] If installing the Garmin GMR24, we recommend that it is installed facing the opposite way to that indicated by the arrow on the underside of the Radome. This ensures even weight distribution throughout the installation. Radar orientation can be set during the on screen radar set-up procedure.

Drilling for the antenna.

1. Attach the PowerTower antenna template to the top of the top plate of PowerTower. Mark through the centre of the holes for the antenna you are to mount.
2. Drill a pilot hole (about 2mm dia.) through the top of PowerTower.
3. Turn over PowerTower and, from the underneath of the top plate; open out the holes to the required diameter.
4. We have supplied Nylon Shoulder Washers to fit under the heads of the bolts. Holes in top plate of Power Tower need to be drilled accordingly. If using 8mm fixings drill hole to Ø9mm. If using 10mm fixings, drill hole to Ø12mm.

Fitting PowerTower to the boat.

1. Attach PowerTower to the boat using 8mm (5/16 in) bolts, nuts and washers. Self-locking or Nyloc nuts are recommended. Fit the white seal under the base of the PowerTower.
2. Attach the antenna to the top of PowerTower using the bolts provided with the antenna. Fit either 4 x Nylon Shoulder Washers for Ø8mm fixings, or 4 x Nylon Shoulder Washers for Ø10mm fixings under head of bolts.
3. Install the cable using the waterproof grommet supplied. To fit the cable: Push cable through hole in grommet to its chosen point and pull back until the internal part of the grommet reverses back.

Composite PowerTower - PT2002/3/5/6
Installation Instructions



PowerTower kit contents

- PowerTower
- Base Seal
- 8x Nylon Shoulder Washers for Ø8mm fixings [PT2003,6 only 4 off supplied]
- 4 x Nylon Shoulder Washers for Ø10mm fixings [Not supplied with PT2003,6]
- IP67 Cable Grommet
- IP67 Cable Grommet Blanked [Not supplied with PT2003,6]

Also Required:

- 4 x M8 Stainless Steel bolts, large washers and nuts to attach PowerTower to deck/arch. Length to suit deck/arch thickness.
- Ø8.5mm and Ø9.0mm or Ø12.0mm Drills.
- Hole Cutter for cable loom; approx Ø50mm.

Drilling for the antenna.

1. If installing PT2002/5, attach the PowerTower antenna template to the top of the top plate of PowerTower. Mark through the centre of the holes for the antenna you are to mount.

IMPORTANT:

[A] If you are installing a PT2003/6 please refer to the hole fixing templates supplied with your antenna.

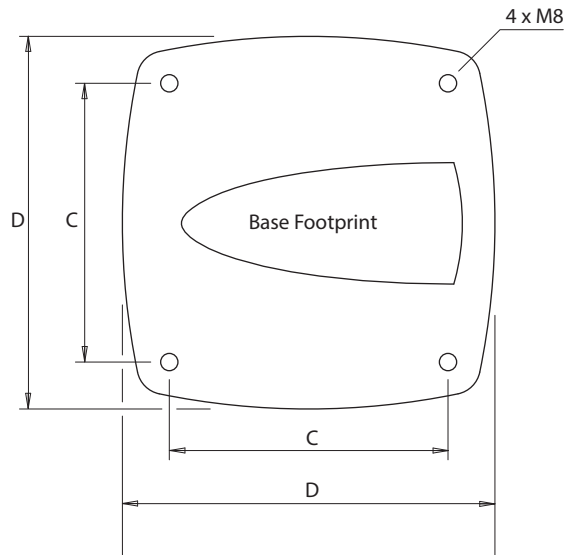
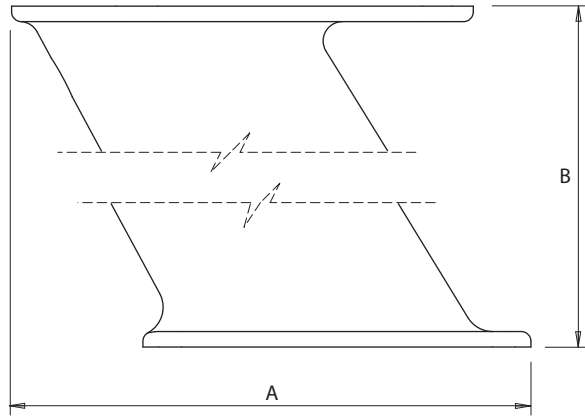
2. Drill a pilot hole (about 2mm dia.) through the top of PowerTower.
3. Turn over PowerTower and, from the underneath of the top plate; open out the holes to the required diameter.
4. We have supplied Nylon Shoulder Washers to fit under the heads of the bolts. Holes in top plate of Power Tower need to be drilled accordingly. If using 8mm fixings drill hole to Ø9mm. If using 10mm fixings, drill hole to Ø12mm.

Fitting PowerTower to the boat.

1. Attach PowerTower to the boat using 8mm (5/16 in) bolts, nuts and washers. Self-locking or Nyloc nuts are recommended. Fit the white seal under the base of the PowerTower.
2. Attach the antenna to the top of PowerTower using the bolts provided with the antenna. Fit either 4 x Nylon Shoulder Washers for Ø8mm fixings, or 4 x Nylon Shoulder Washers for Ø10mm fixings under head of bolts.
3. Install the cable using the waterproof grommet supplied. To fit the cable: Push cable through hole in grommet to its chosen point and pull back until the internal part of the grommet reverses back.

Note: PT2003, PT2006 ARE NOT SUPPLIED WITH GROMMETS. Mini M and Gyro GPS antennas usually have cables coming out of the base and will enter the top of the PowerTower seals or grommets for this are normally supplied by the antenna manufacturer.

Composite PowerTower®



	A mm / inches	B mm / inches	C mm / inches	D mm / inches
PT2001	370/14.6	350/13.8	150/5.9	200/7.9
PT2002	370/14.6	350/13.8	150/5.9	200/7.9
PT2004	268/10.5	158/6.2	150/5.9	200/7.9
PT2005	278/11	158/6.2	150/5.9	200/7.9

All Composite PT's are 30° aft leaning



SCANSTRUT