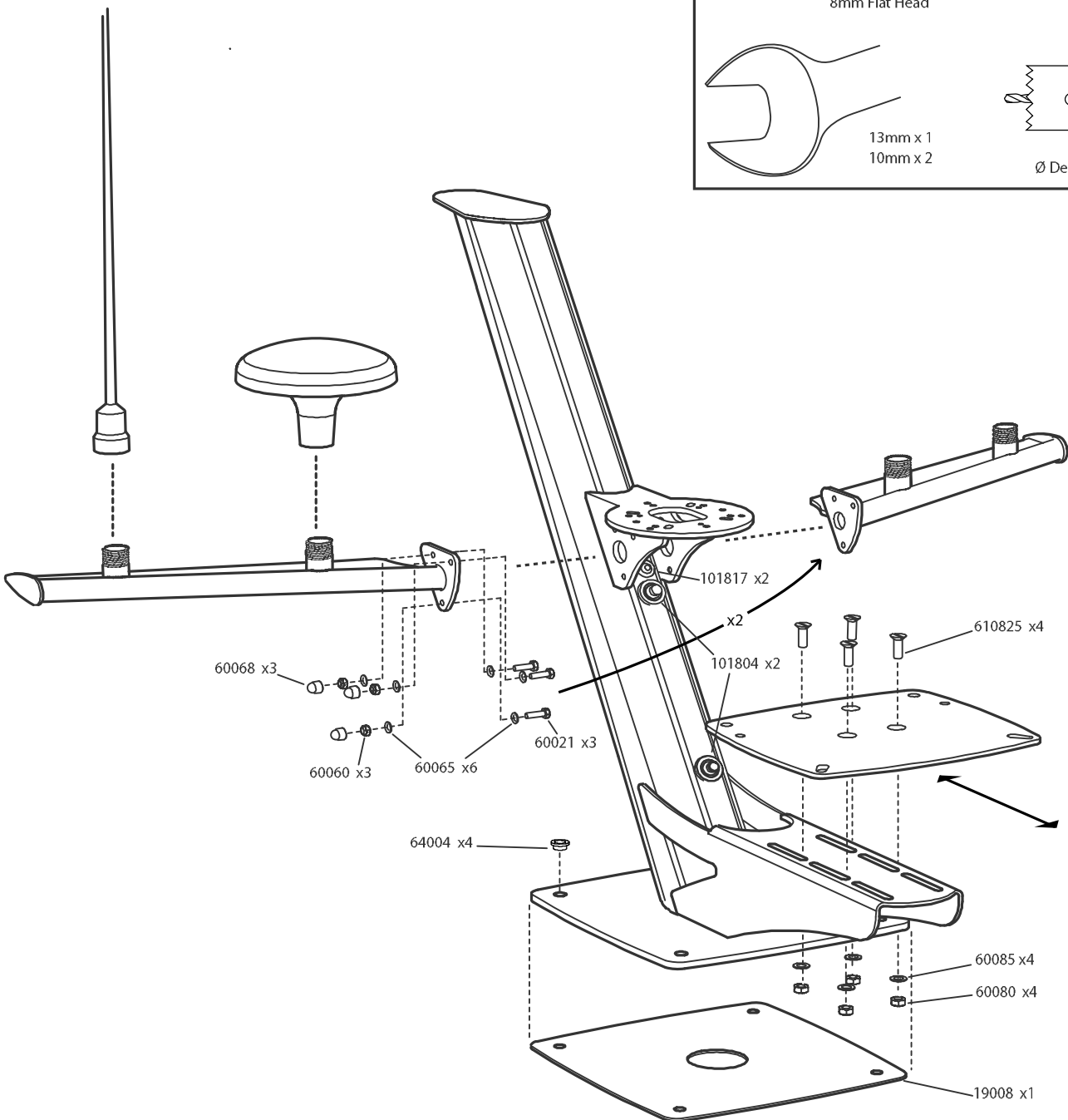
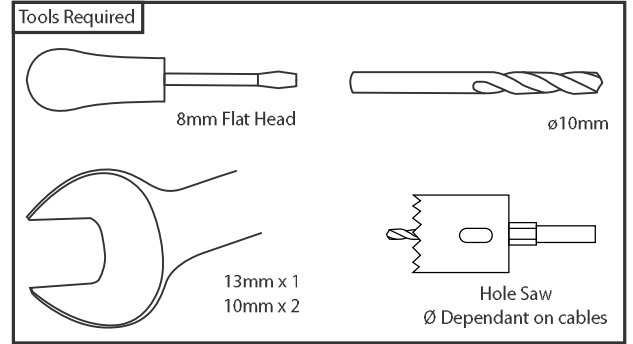
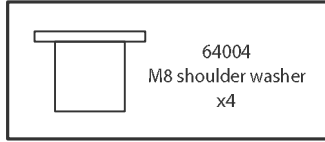
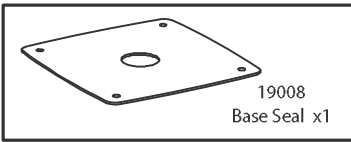
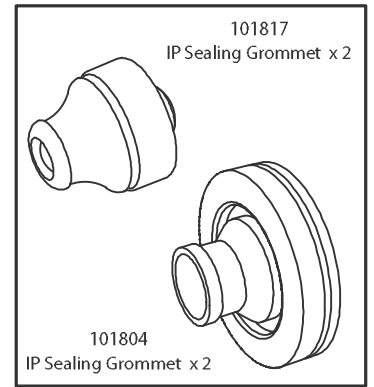
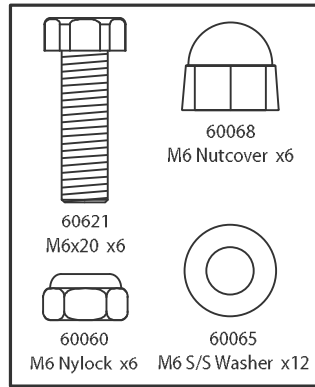
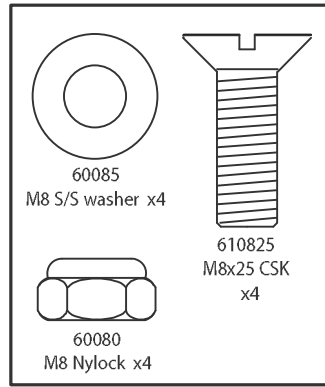
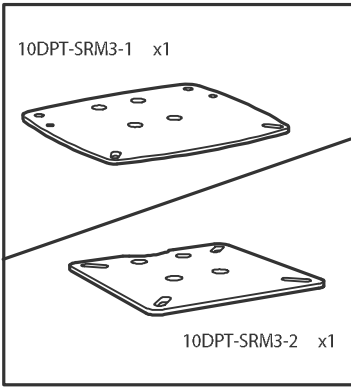


Installation Instructions

Tapered Radar Mast - PTM-R1/R2



IMPORTANT

No liability is accepted for damage caused by incorrect installation.

The installation and assembly must be regularly inspected for evidence of damage or loose parts.

Product has been designed specifically for the mounting of approved marine electronics under normal boating conditions.