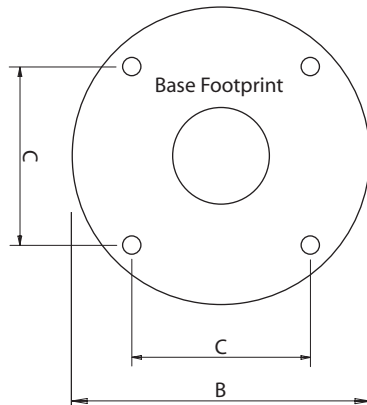
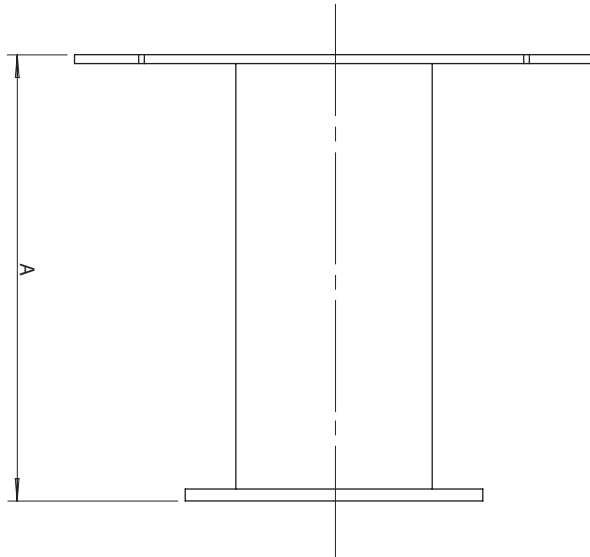


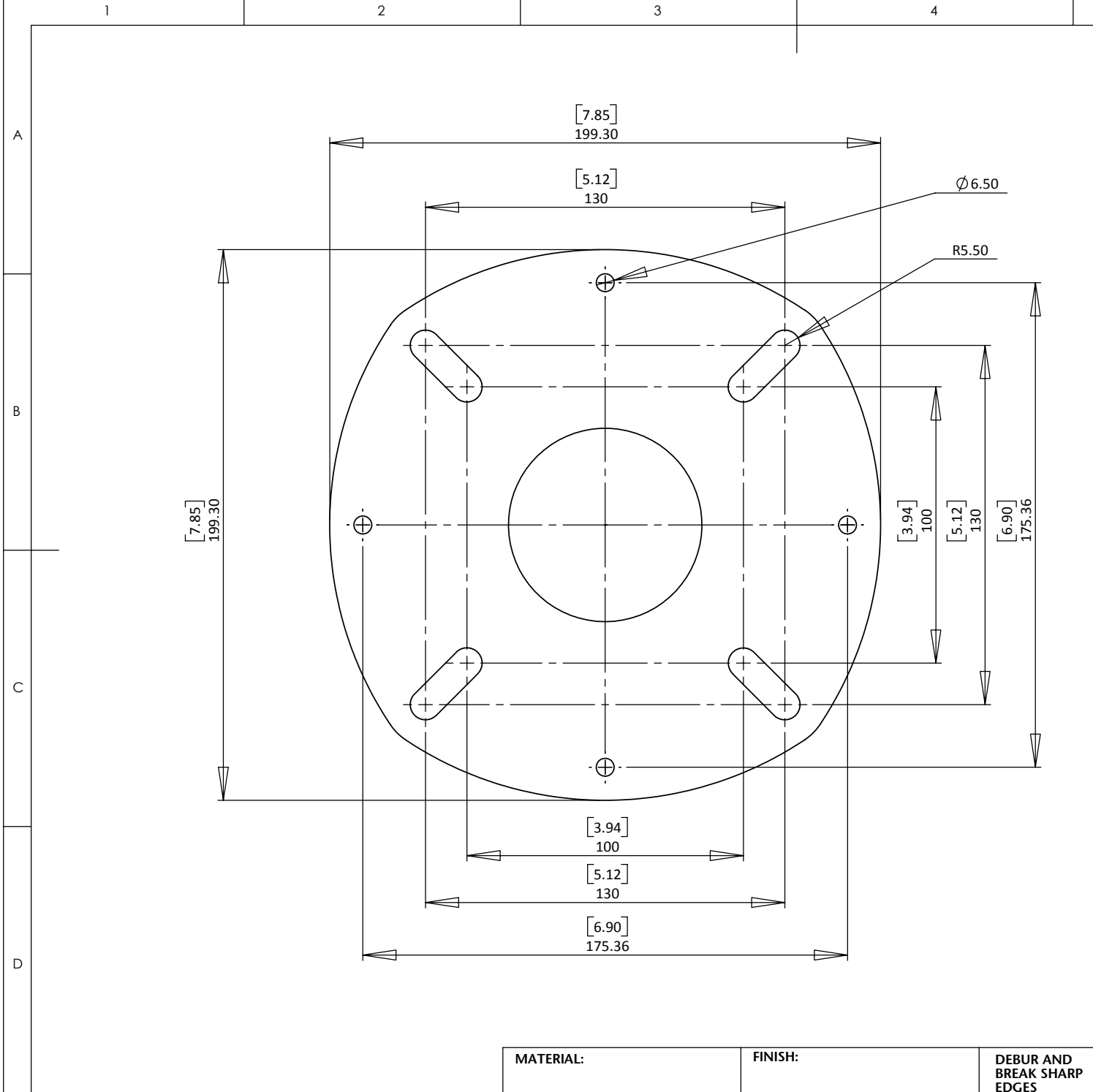
Satcom PowerTower®



	A mm / inches	B mm / inches	C mm / inches
SATPT-30	300/11.8	200/7.8	120/4.7
SATPT-40	300/11.8	200/7.8	120/4.7
SATPT-60	300/11.8	250/9.8	145/5.7

All SATPT'S are vertical with an oval stem

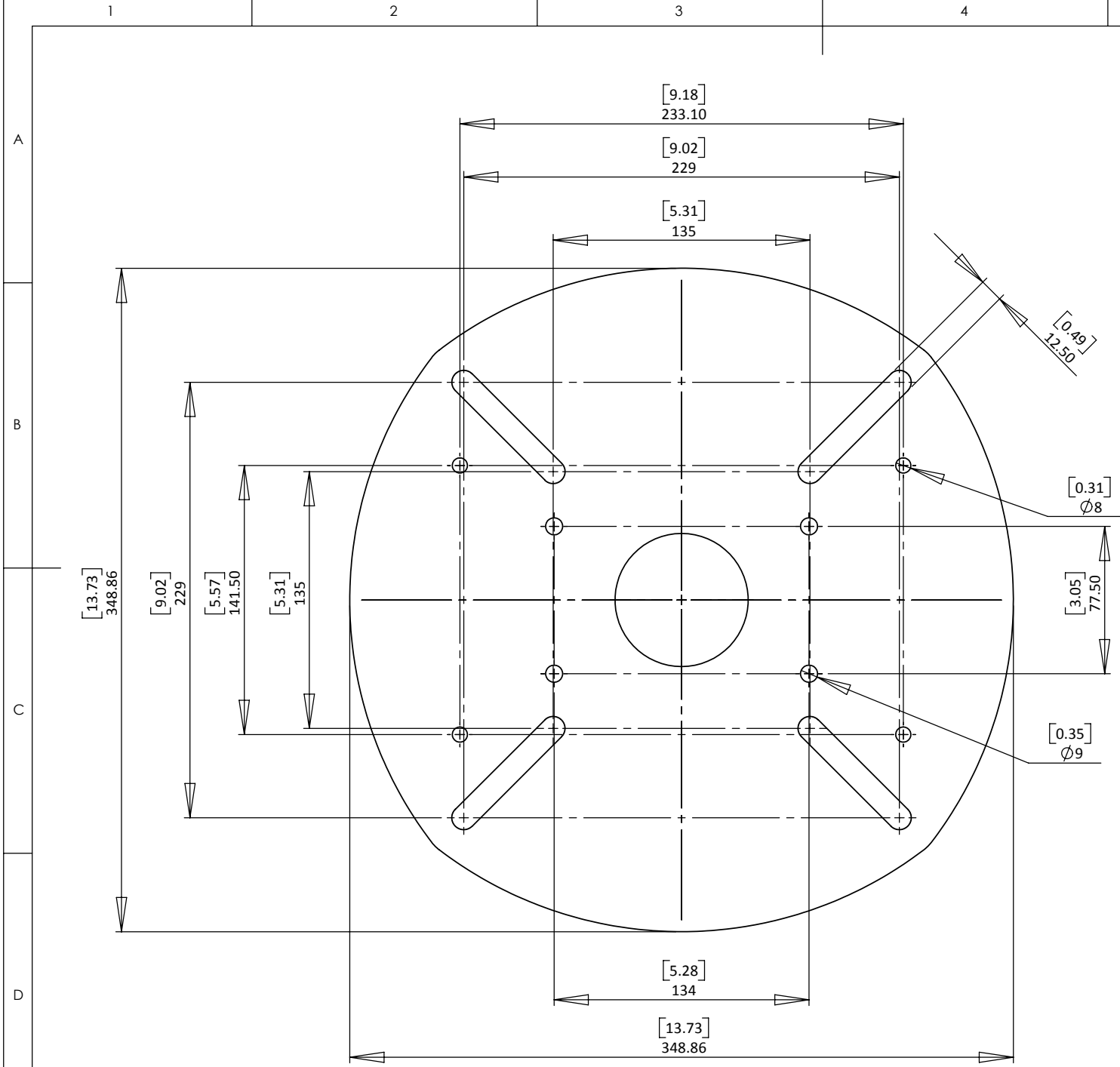




ZONE REV.		REVISIONS	
		DESCRIPTION	DATE

SCANSTRUT DESIGN COPYRIGHT OF SCANSTRUT LTD	
SCALE:1:2	A4 DO NOT SCALE DRAWING
UNLESS OTHERWISE SPECIFIED: DIMENSIONS ARE IN MILLIMETERS	GENERAL TOLERANCES: ±0.1 UNLESS OTHERWISE STATED. IF IN DOUBT PLEASE ASK
TITLE: SATPT33 - Mount Plate	
PART NO.	REVISION
DRAWN	DATE
SHEET 1 OF 3	

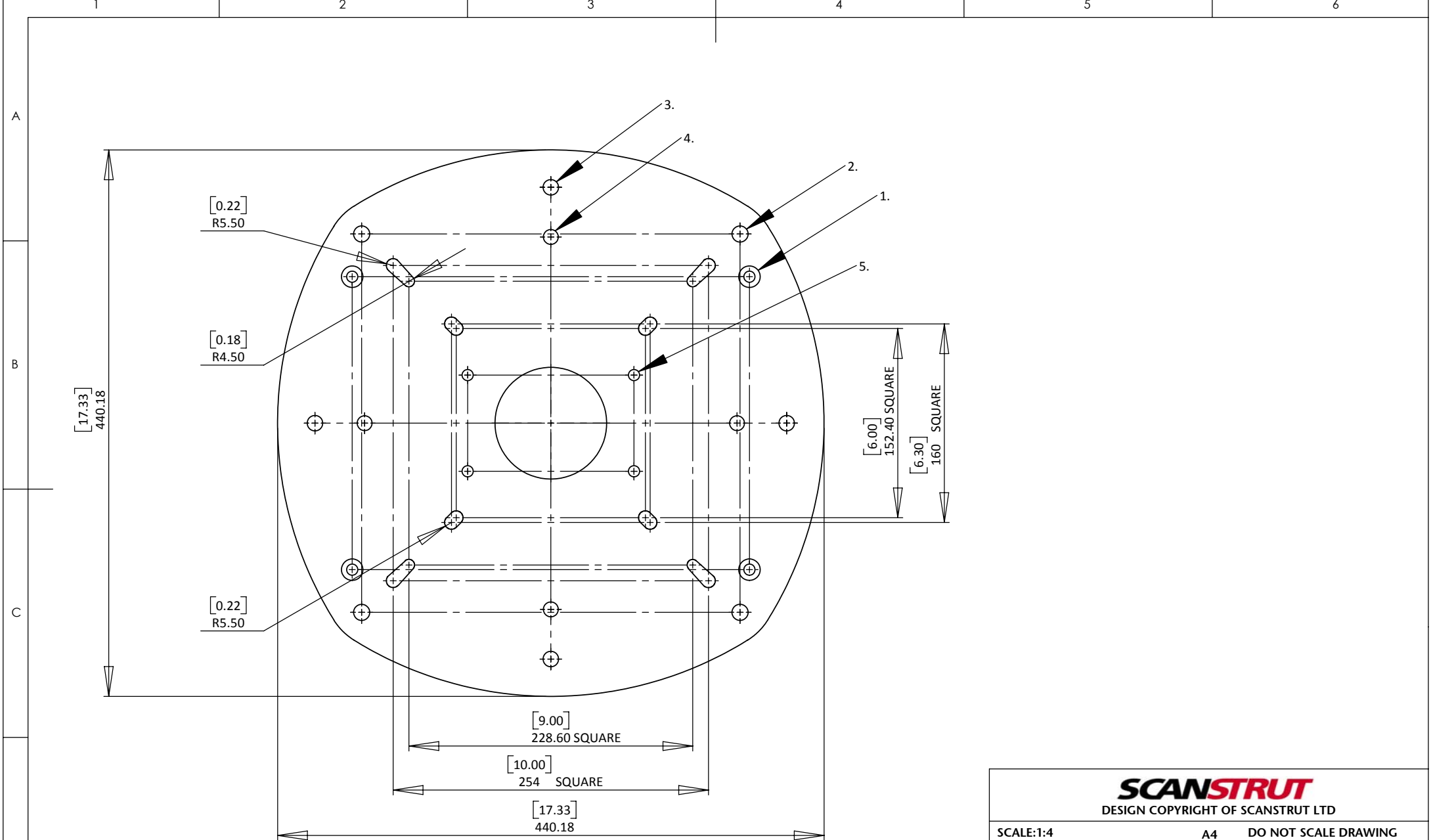
MATERIAL:	FINISH:	DEBUR AND BREAK SHARP EDGES
-----------	---------	-----------------------------------



ZONE REV.		REVISIONS	
ZONE	REV.	DESCRIPTION	DATE

SCANSTRUT DESIGN COPYRIGHT OF SCANSTRUT LTD	
SCALE:1:3	A4 DO NOT SCALE DRAWING
UNLESS OTHERWISE SPECIFIED: DIMENSIONS ARE IN MILLIMETERS	
GENERAL TOLERANCES: ±0.1 UNLESS OTHERWISE STATED. IF IN DOUBT PLEASE ASK	
TITLE: SATPT-40 MOUNT PLATE	
PART NO.	REVISION
DRAWN	DATE
SHEET 2 OF 3	

MATERIAL: _____ **FINISH:** _____ **DEBUR AND BREAK SHARP EDGES**



- Hole set 1:** 4 x Ø9mm/0.35"CSK, arranged 236mm/9.3"fore/aft x 320mm/12.6"port/starboard
- Hole set 2:** 4 x Ø13mm/0.51", arranged on a 304.8mm/12" square
- Hole set 3:** 4 x Ø12.5mm/0.49", arranged 380mm/14.96" fore/aft-port/starboard
- Hole set 4:** 4 x Ø12mm/0.47", arranged 300mm/11.81" fore/aft-port/starboard
- Hole set 5:** 4 x Ø9mm/0.35"CSK, arranged 77.5mm/3.05"fore/aft x 134mm/5.27"port/starboard

SCANSTRUT DESIGN COPYRIGHT OF SCANSTRUT LTD		
SCALE:1:4	A4	DO NOT SCALE DRAWING
UNLESS OTHERWISE SPECIFIED: DIMENSIONS ARE IN MILLIMETERS		GENERAL TOLERANCES: ±0.1 UNLESS OTHERWISE STATED. IF IN DOUBT PLEASE ASK
TITLE:		SATPT-60 Mount Plate
PART NO.	REVISION	A
DRAWN JK	DATE	
SHEET 3 OF 3		