

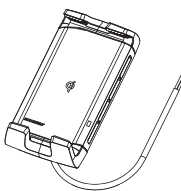
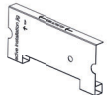

Technical information.

Input voltage range : 10-30V DC (12/24V system)
 Input current max: 1.5A
 Output power: 5W (5V, 1A)
 Standby current draw: < 0.03W
 Waterproof rating: IPX6 front and back
 Certifications: Qi, CE, FCC, ROHS, UNECE R10 E24



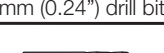
For latest tech info visit: www.scanstrut.com/rokk-wireless

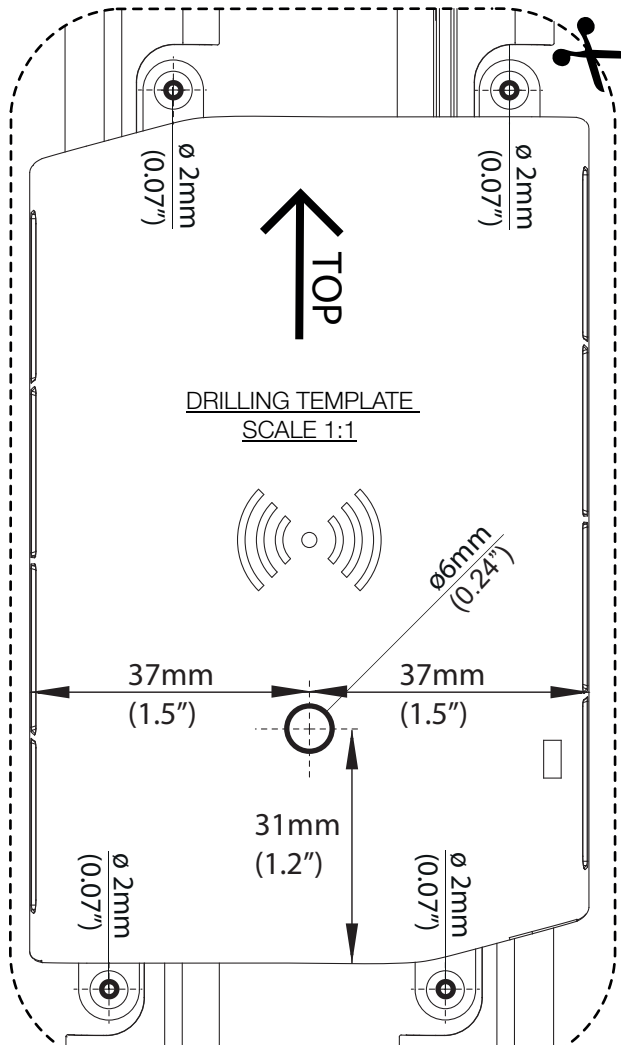
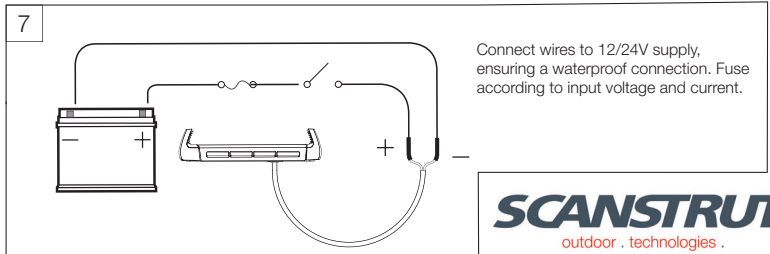
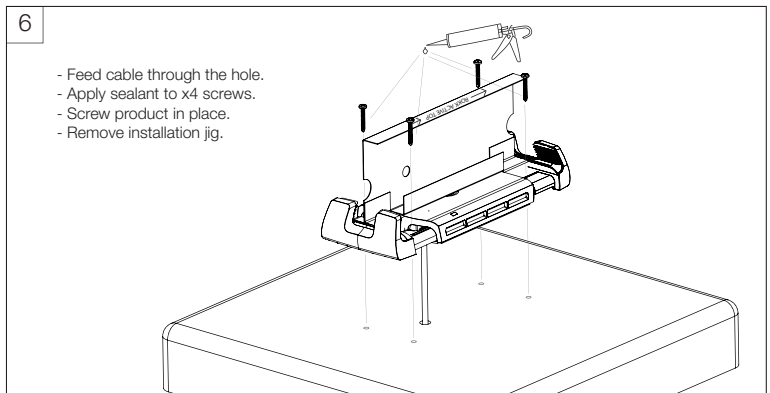
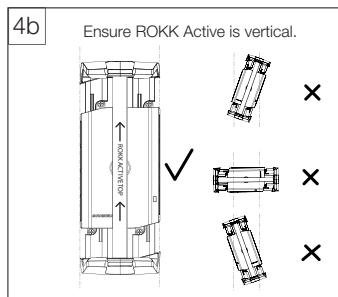
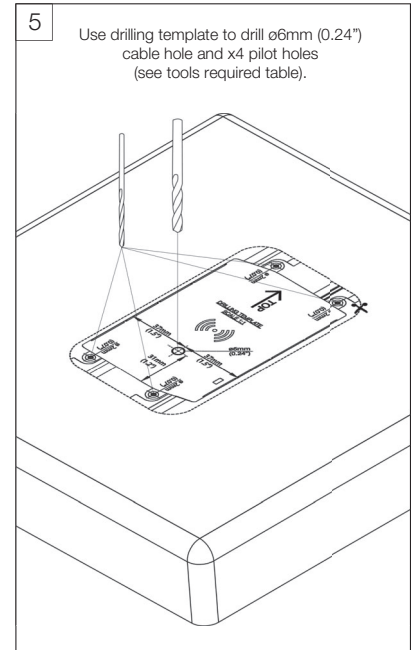
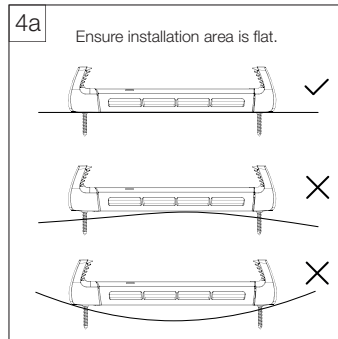
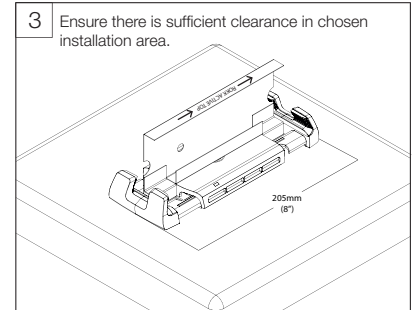
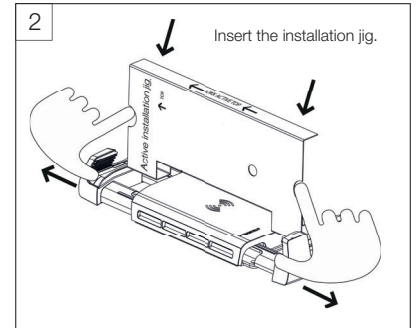
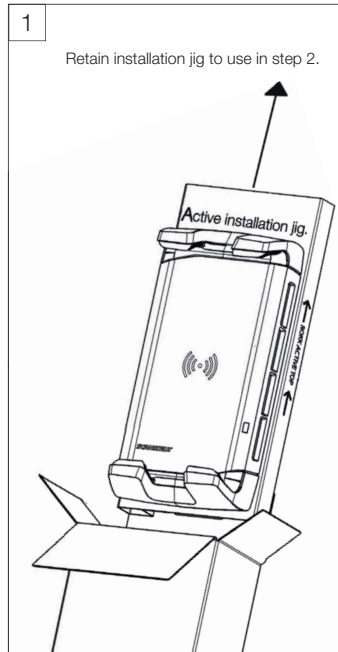
  READ IMPORTANT SAFETY INFORMATION LEAFLET BEFORE INSTALLING.

Parts list.

	ROKK Wireless Active	x1
	Installation jig	x1
	No. 4 x 3/4" (18mm) self-tapping screw	x4

Tools required.

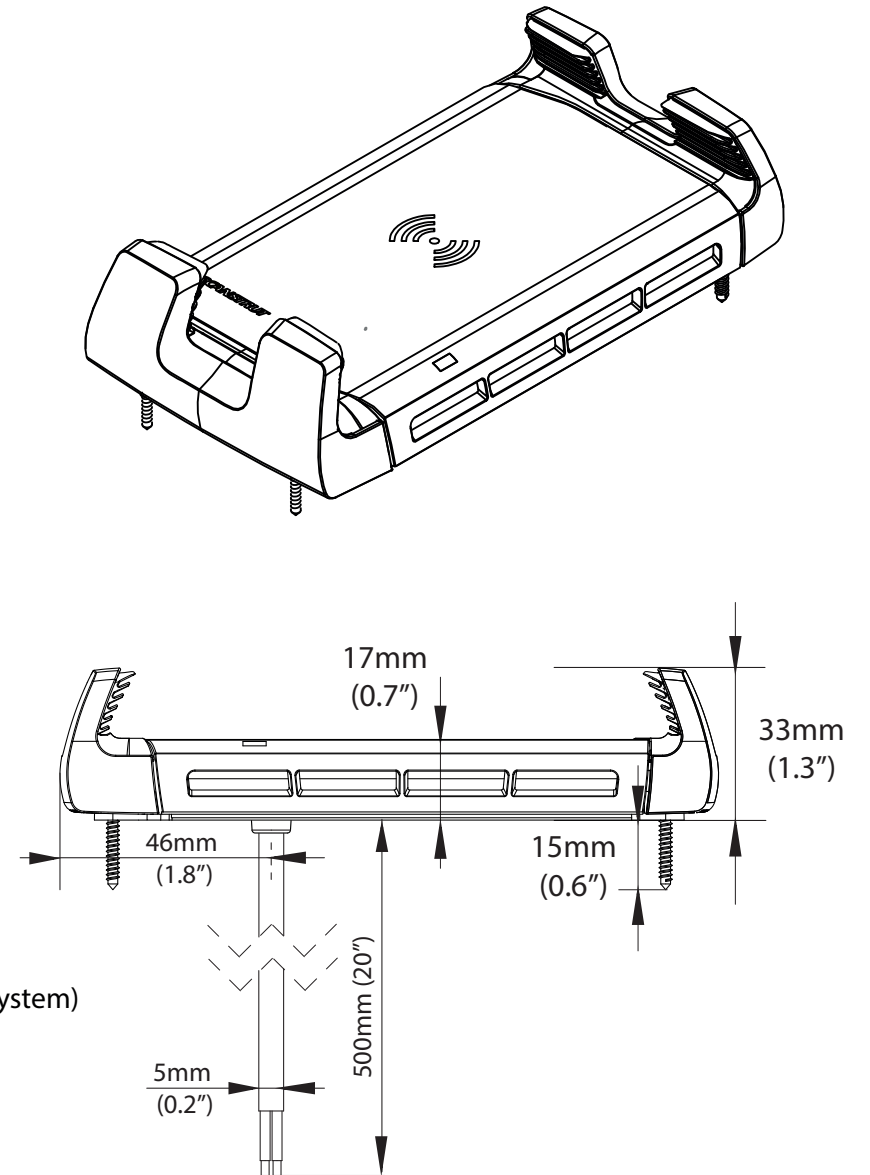
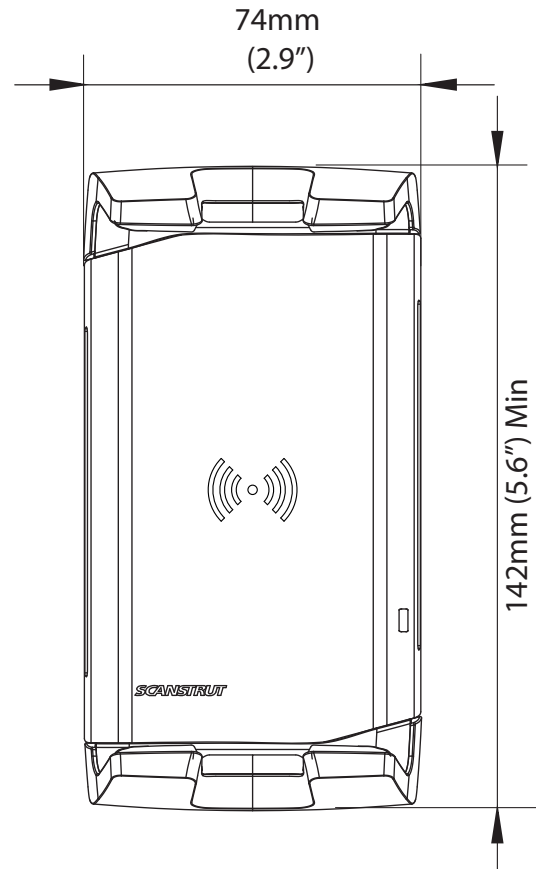
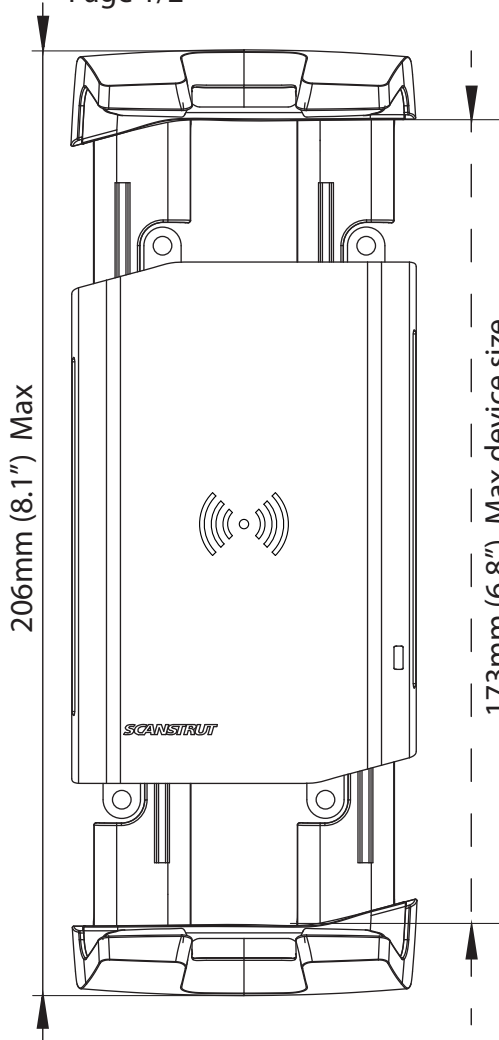
	
Pozi screwdriver	
	
6mm (0.24") drill bit	
	
Drill bit (for pilot hole)	
Material	No. 4 Screw
Soft Material E.g plywood	2mm (5/64")
Hard Material E.g Fiberglass acrylic, hardwood	2.5mm (3/32")



ROKK Wireless Active - SC-CW-04E

For help & information
email: sales@scanstrut.com

Page 1/2



Electrical info:

- Input Voltage Range: 10-30V DC (12/24V system)
- Input current max: 1.5A
- Output Power: 5W (5V,1A)
- Standby Power Draw : < 0.06W

- Qi, CE, FCC, ROHS, UN ECE R10 Certified.

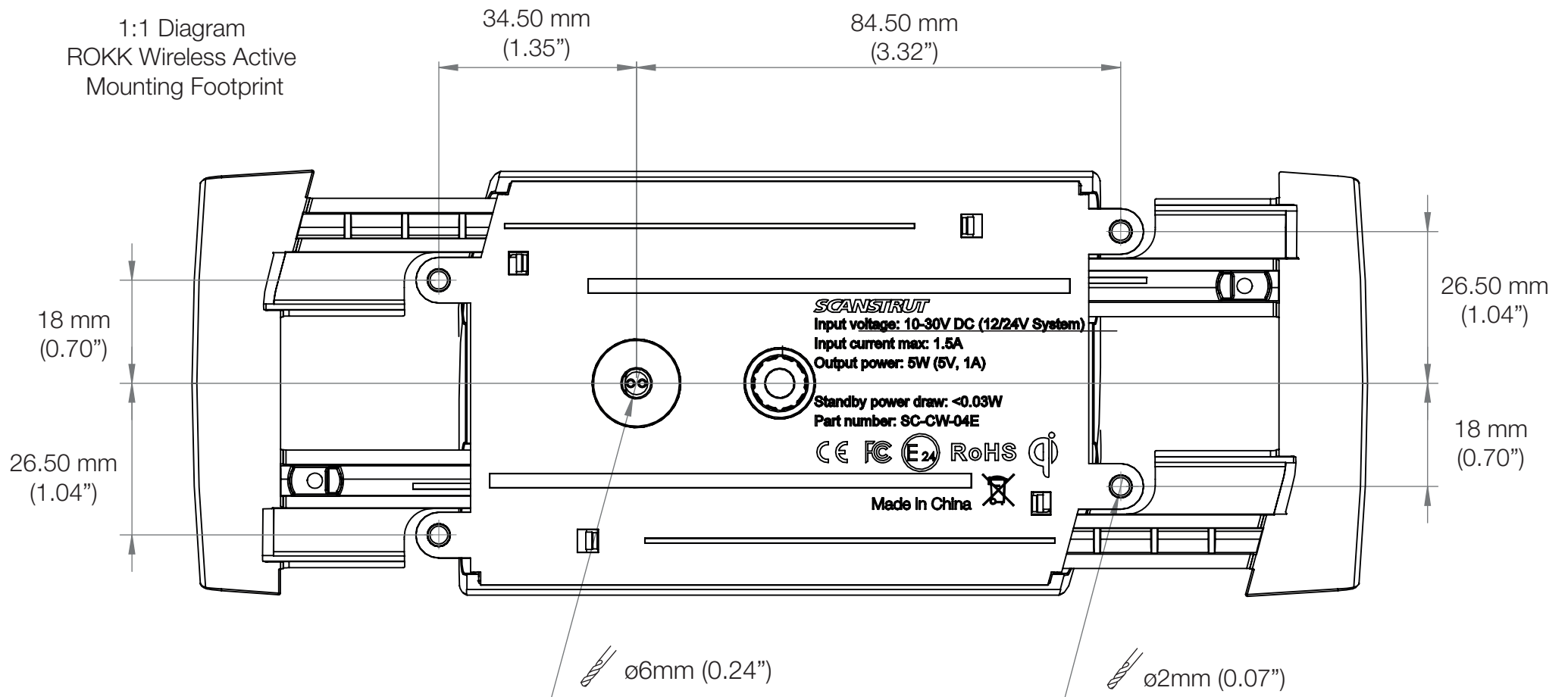
Waterproof Rating: IPX6



SCANSTRUT

ROKK Wireless Active - SC-CW-04E

Page 2/2



SCANSTRUT