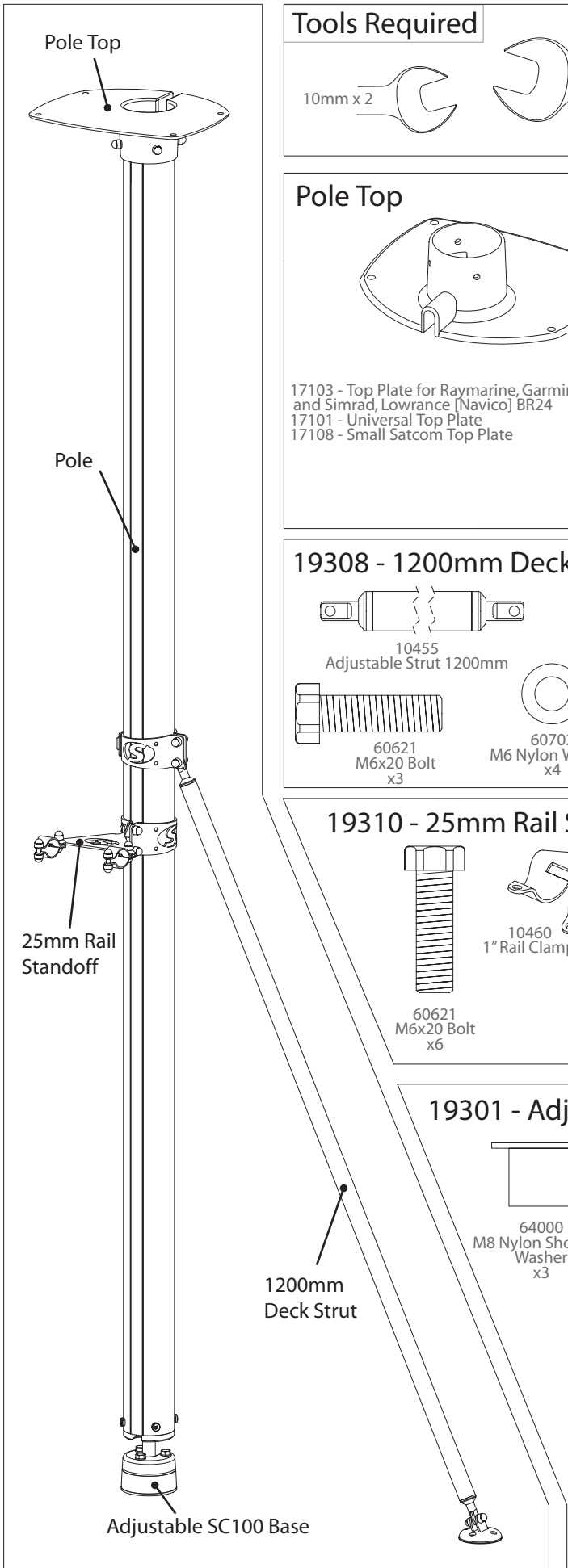
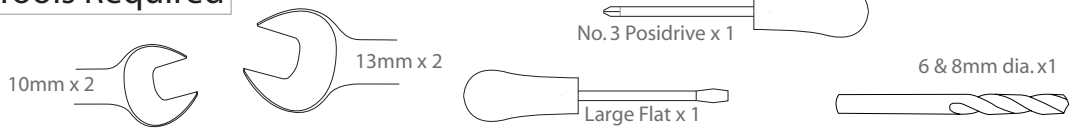


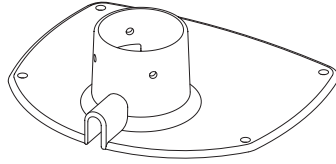
# Installation Instructions Aluminium SC100 Pole



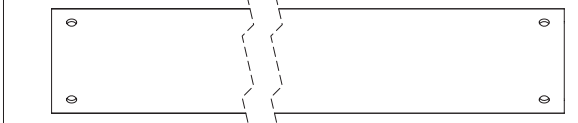
## Tools Required



## Pole Top

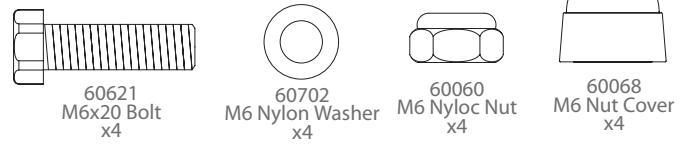


17103 - Top Plate for Raymarine, Garmin and Simrad, Lowrance [Navico] BR24  
17101 - Universal Top Plate  
17108 - Small Satcom Top Plate

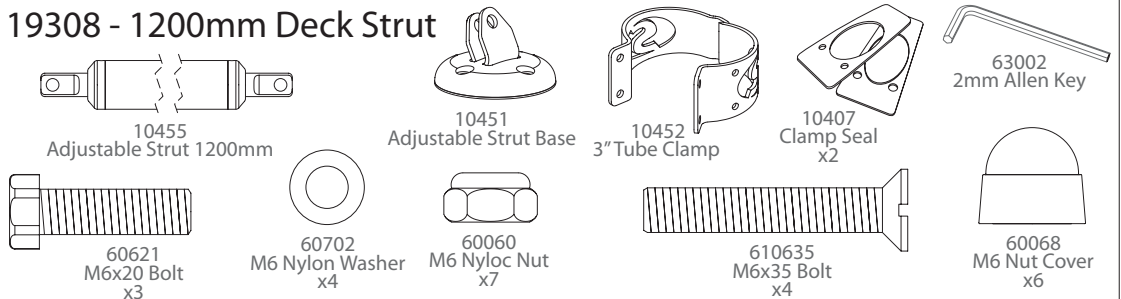


17421 - 1.8m Pole  
17420 - 2.4m Pole

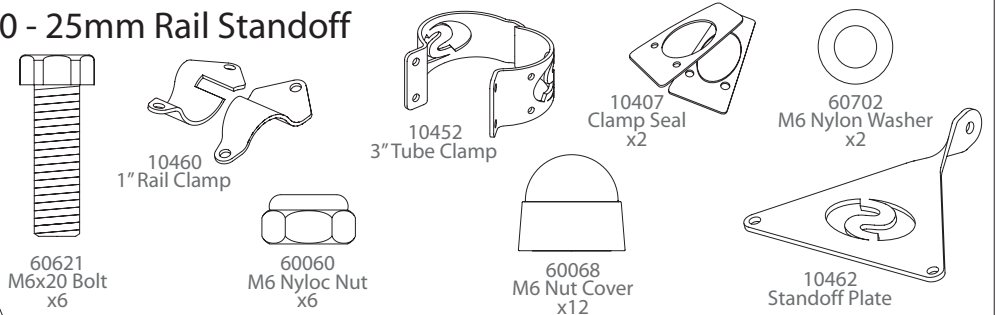
## 60100 - Pole Top Fastening Pack



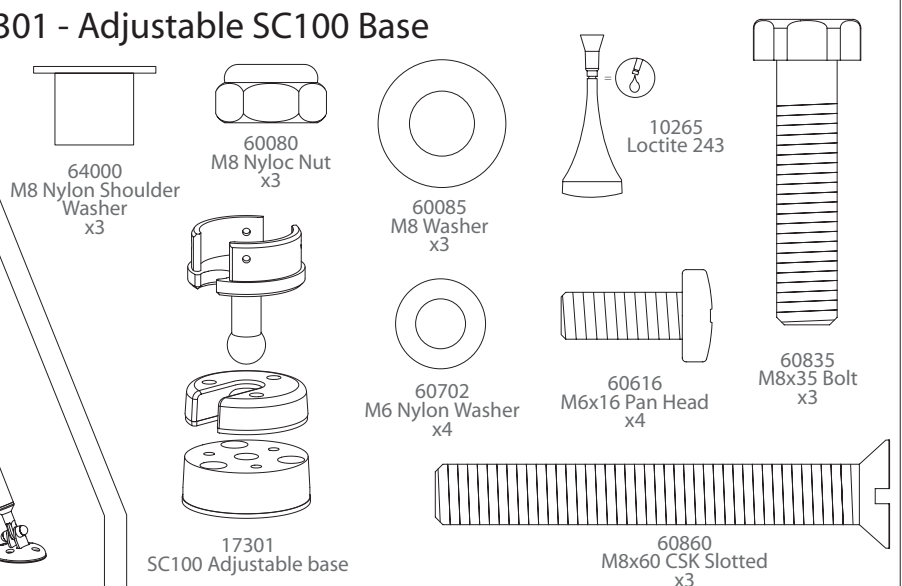
## 19308 - 1200mm Deck Strut



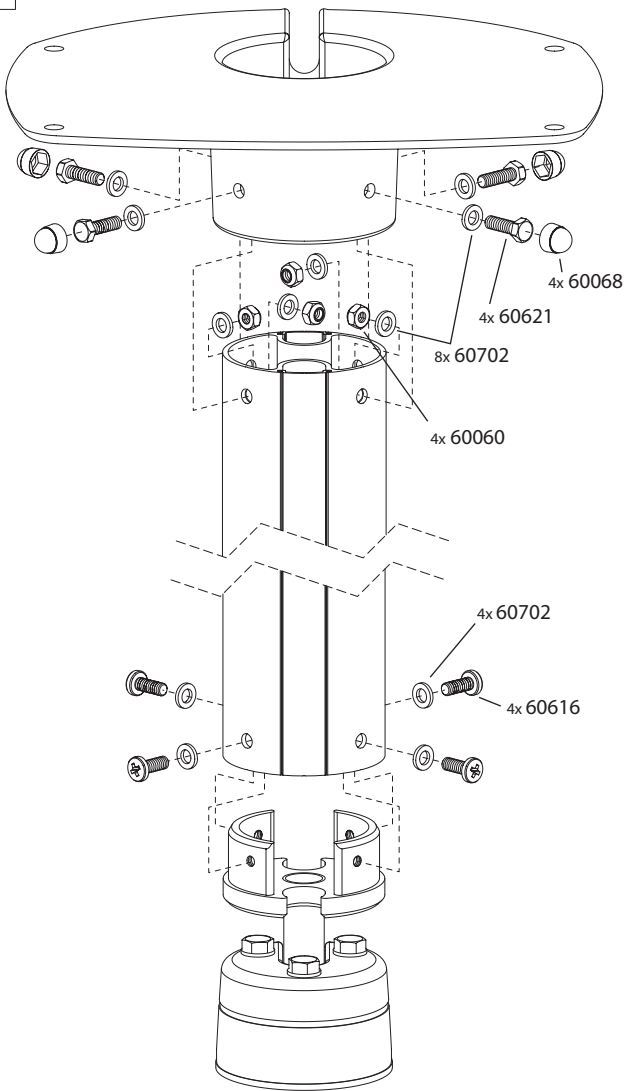
## 19310 - 25mm Rail Standoff



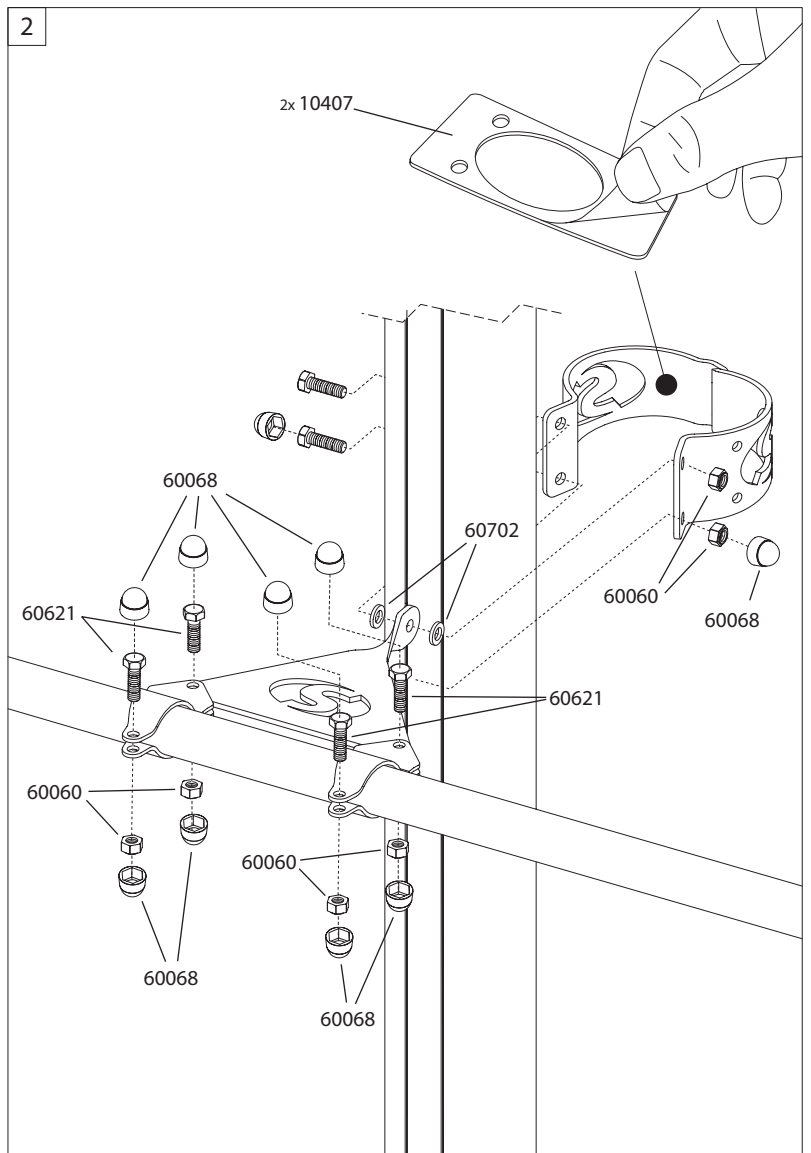
## 19301 - Adjustable SC100 Base



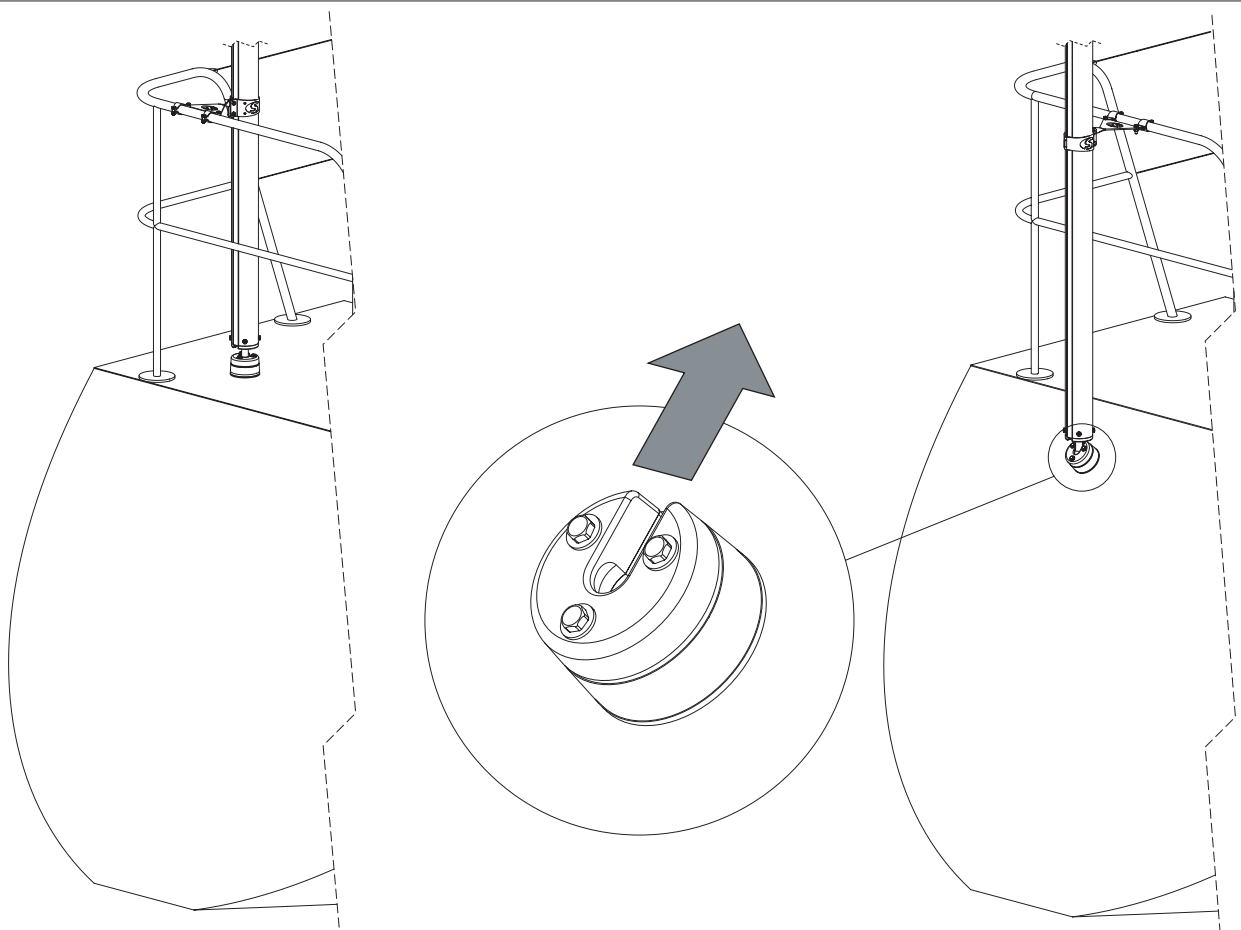
1

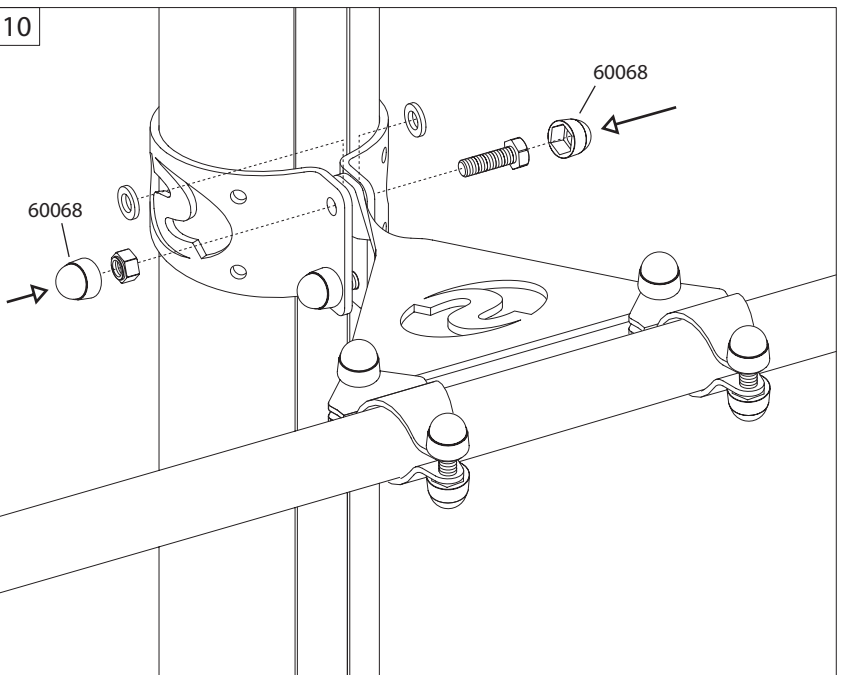
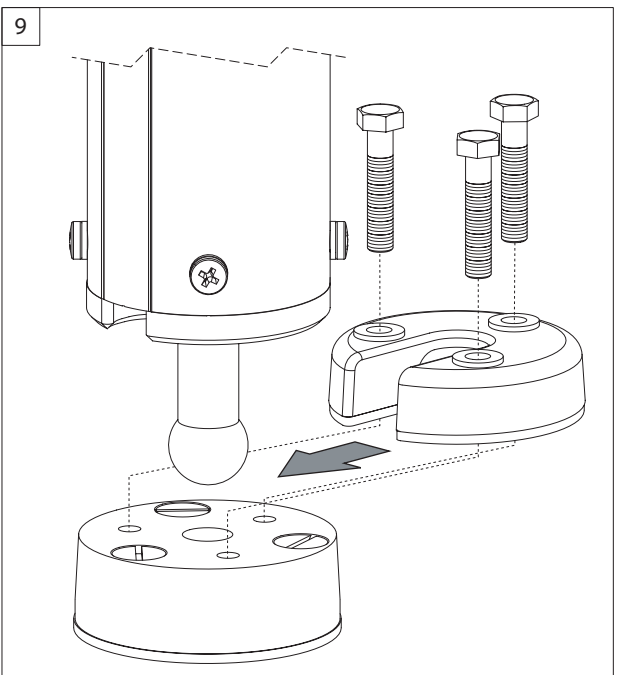
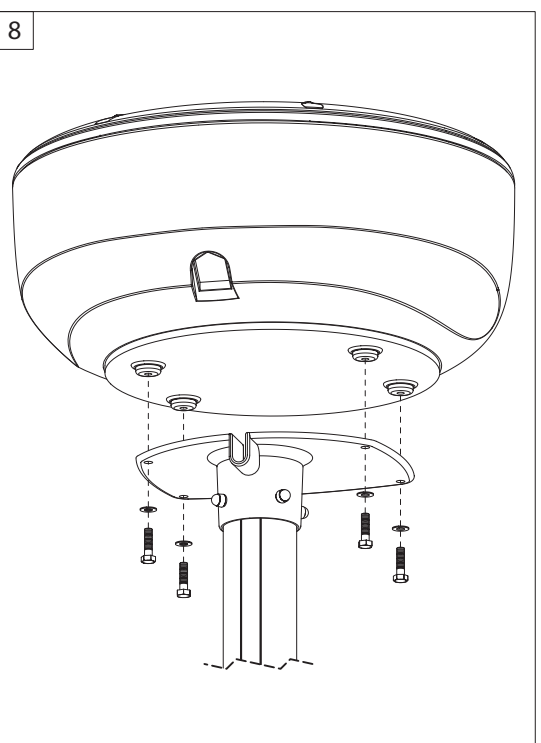
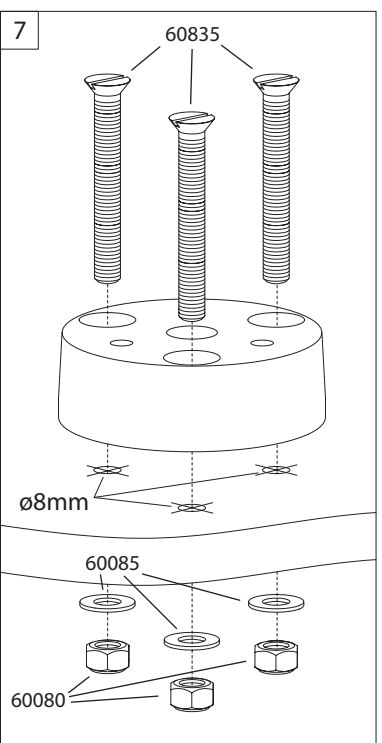
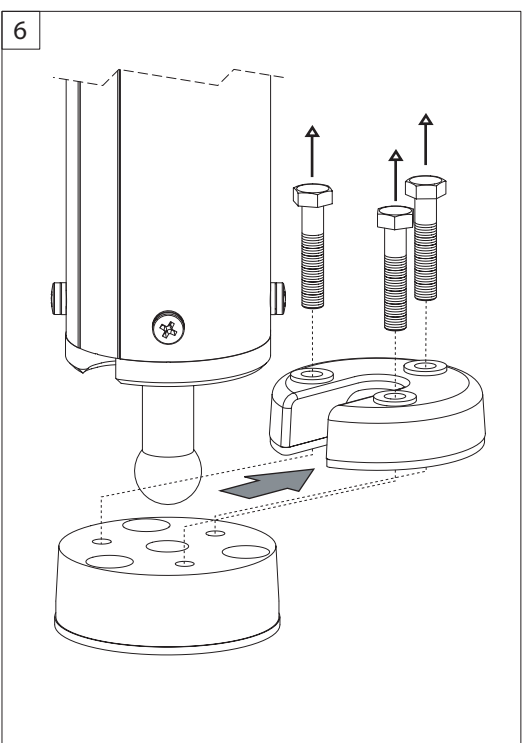
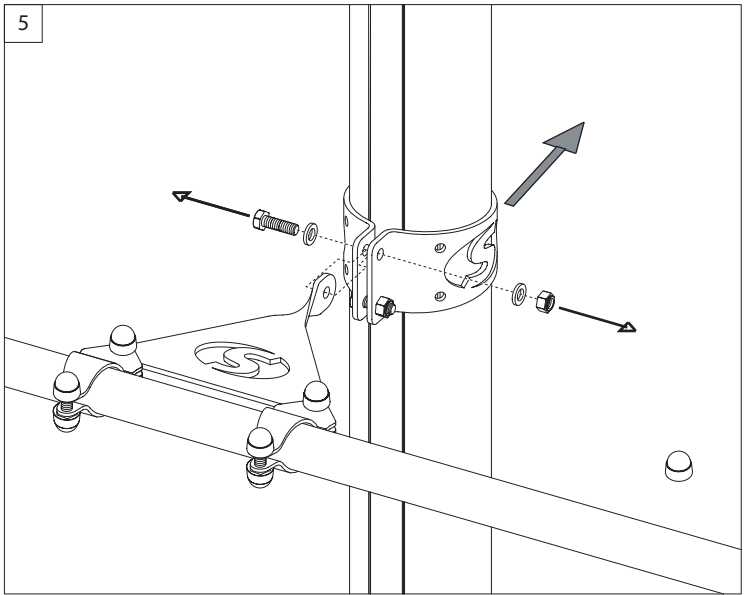
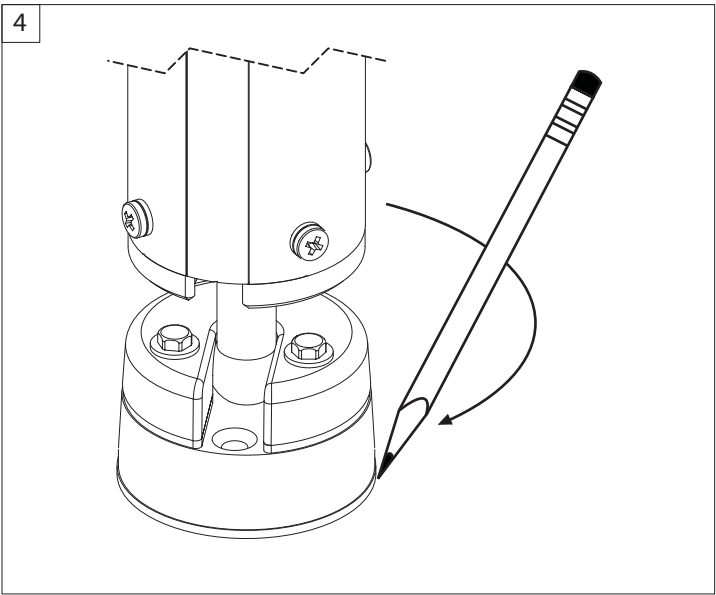


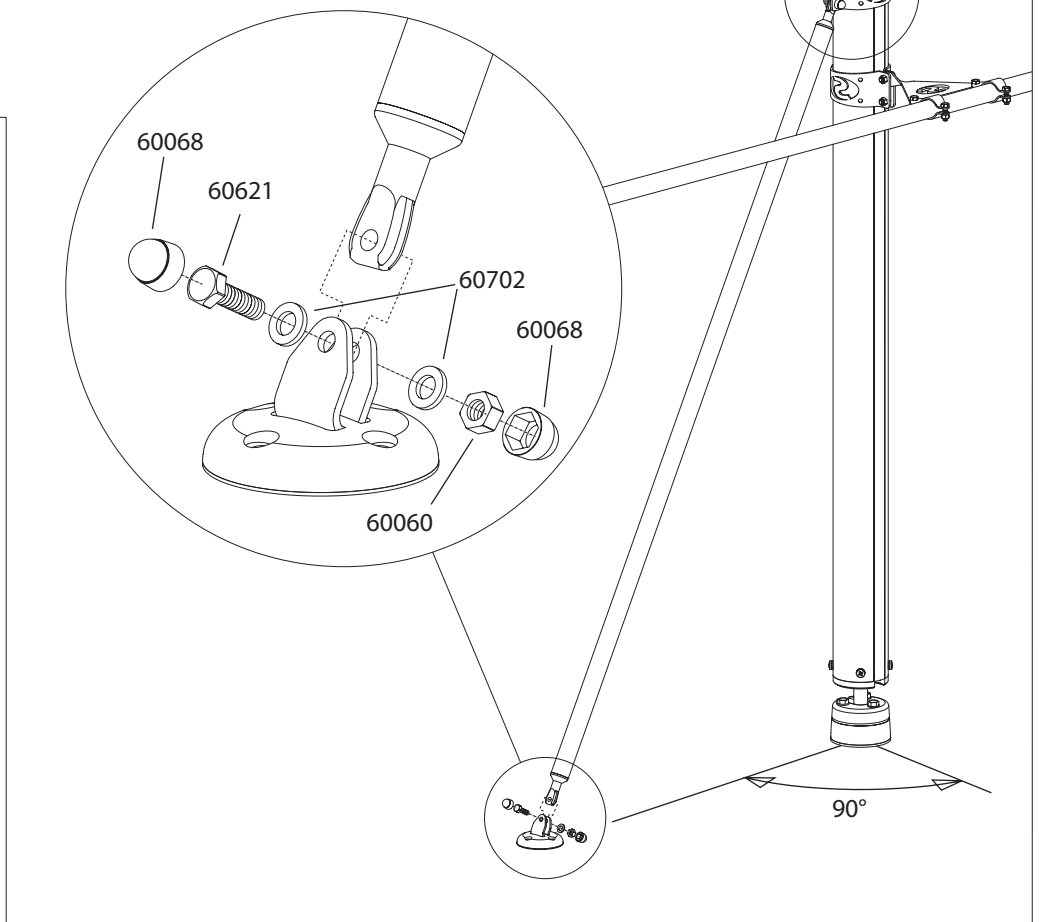
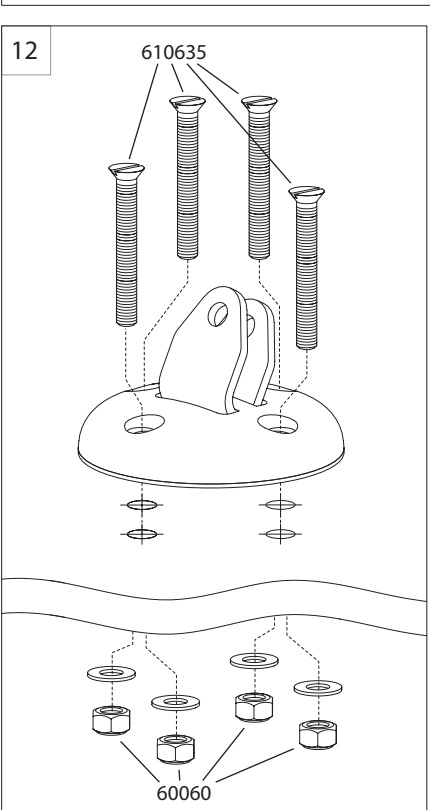
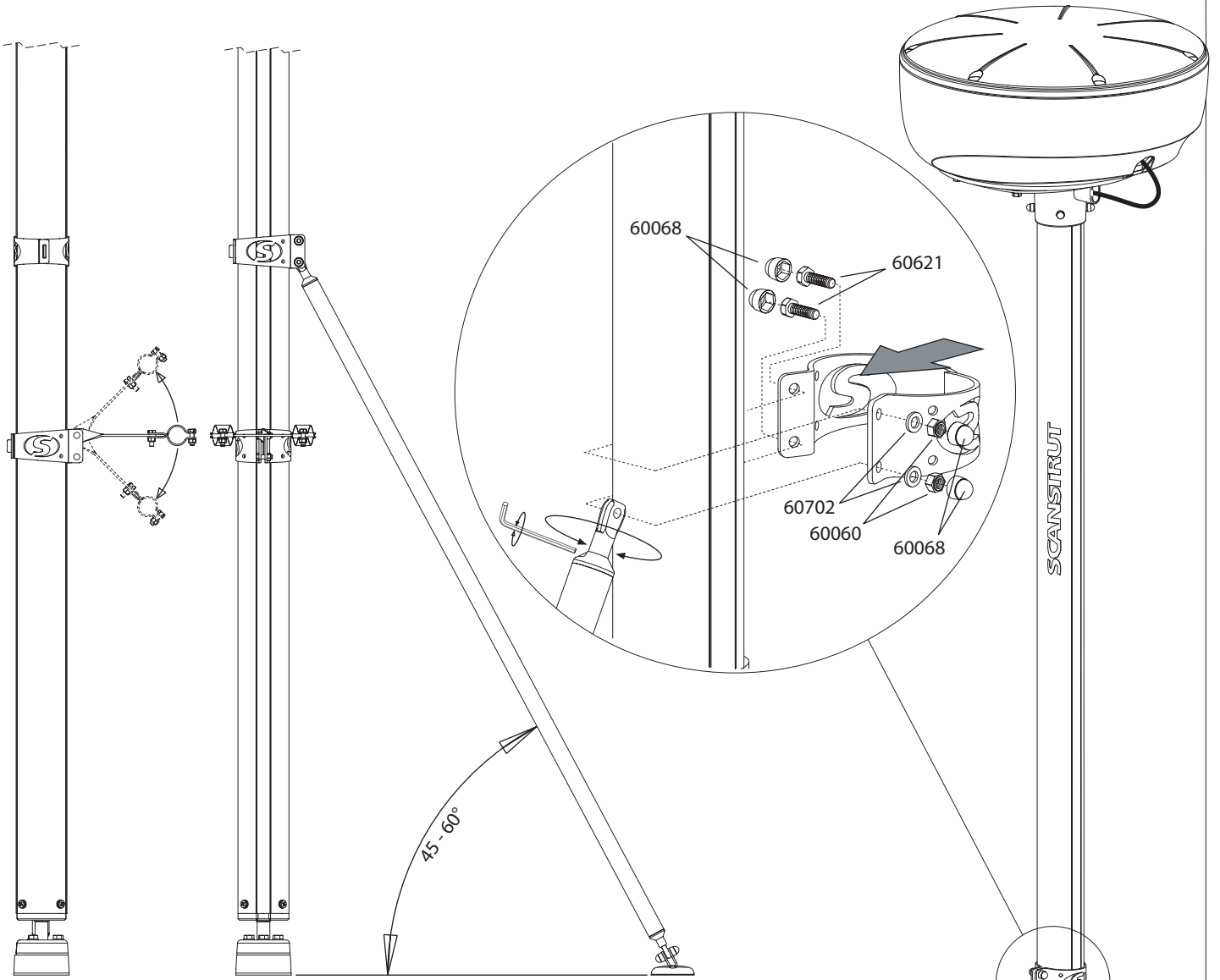
2



3







## IMPORTANT

SC100 pole systems are only compatible with marine electronics devices as stated in the latest Scanstrut Product Guide – subject to change without prior notice. Use of the SC100 pole system with unapproved products, or overloading, invalidates any product warranty. No liability is accepted for damage caused by incorrect installation. The installation and assembly must be regularly inspected for evidence of damage or loose parts. Product has been designed specifically for the mounting of approved marine electronics under normal boating conditions.

