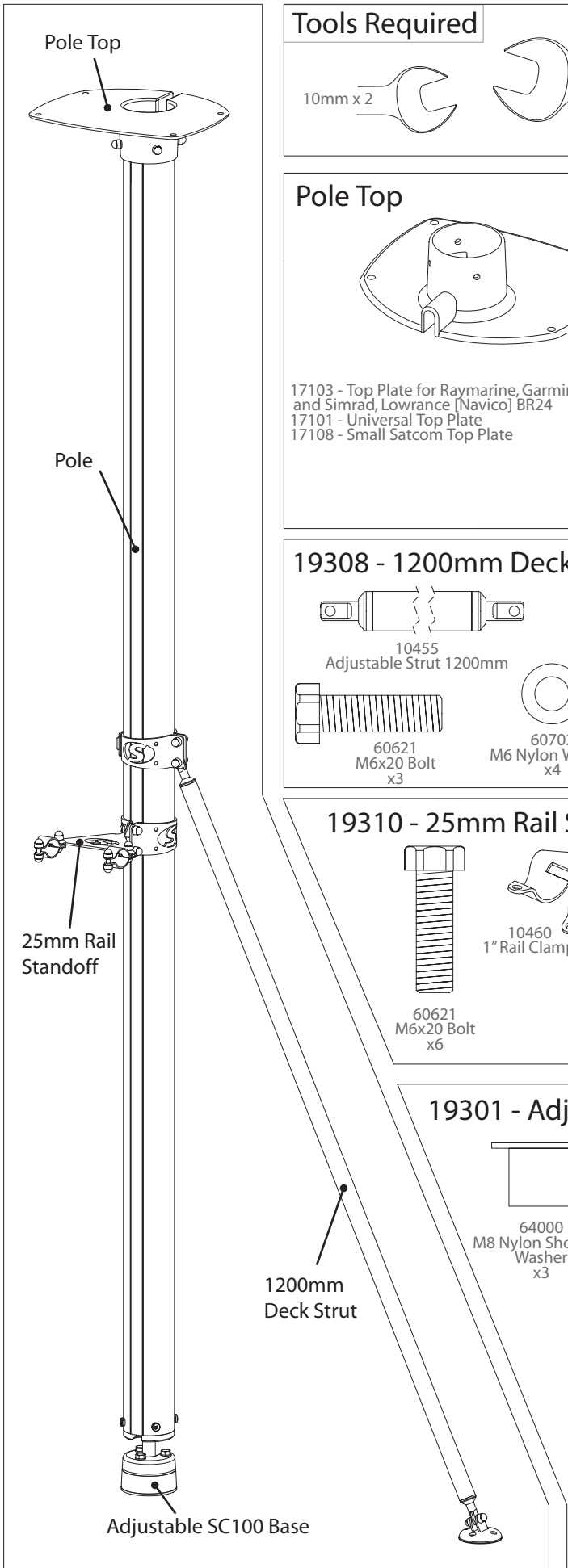
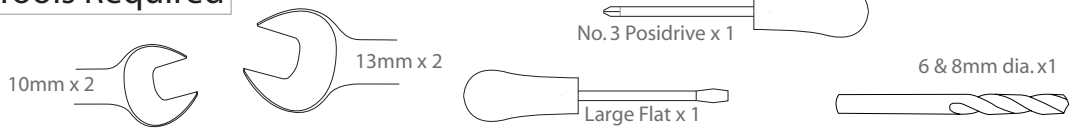


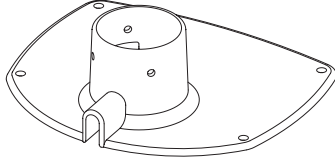
Installation Instructions Aluminium SC100 Pole



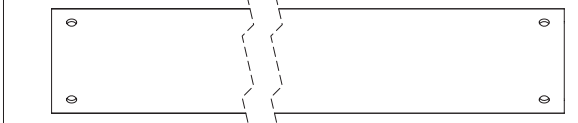
Tools Required



Pole Top



17103 - Top Plate for Raymarine, Garmin and Simrad, Lowrance [Navico] BR24
17101 - Universal Top Plate
17108 - Small Satcom Top Plate

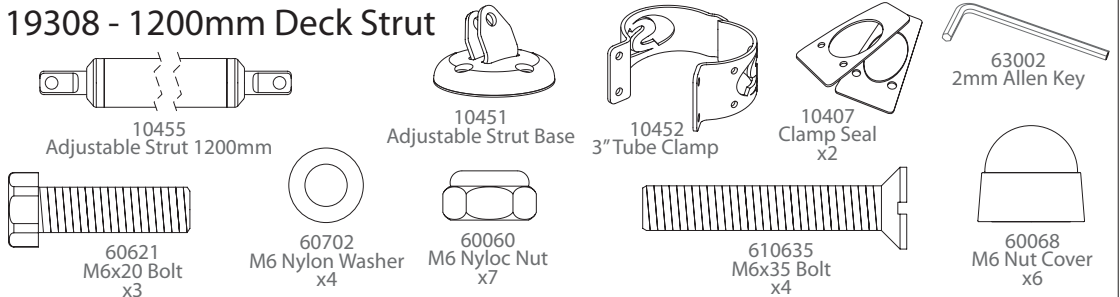


17421 - 1.8m Pole
17420 - 2.4m Pole

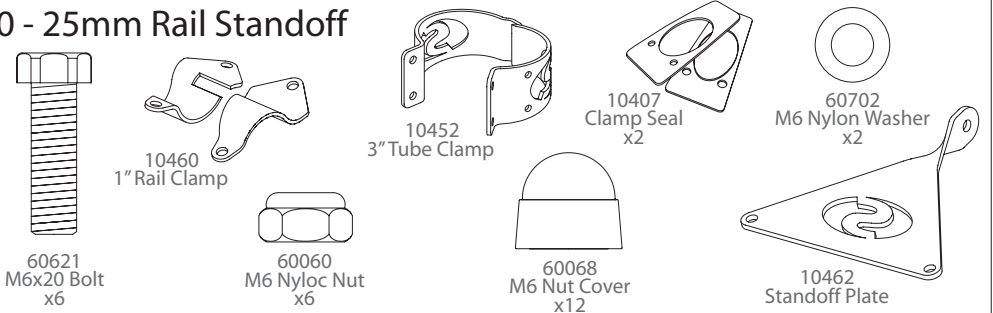
60100 - Pole Top Fastening Pack



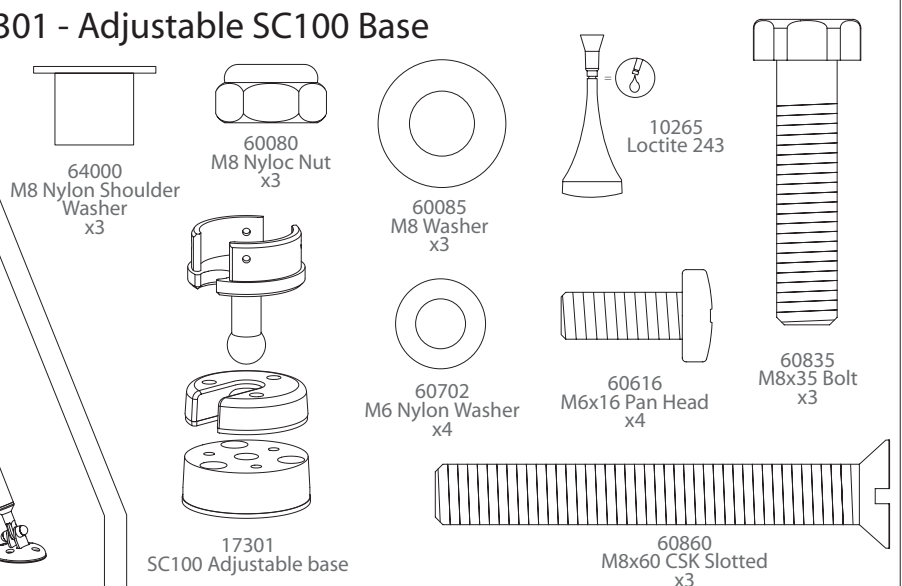
19308 - 1200mm Deck Strut

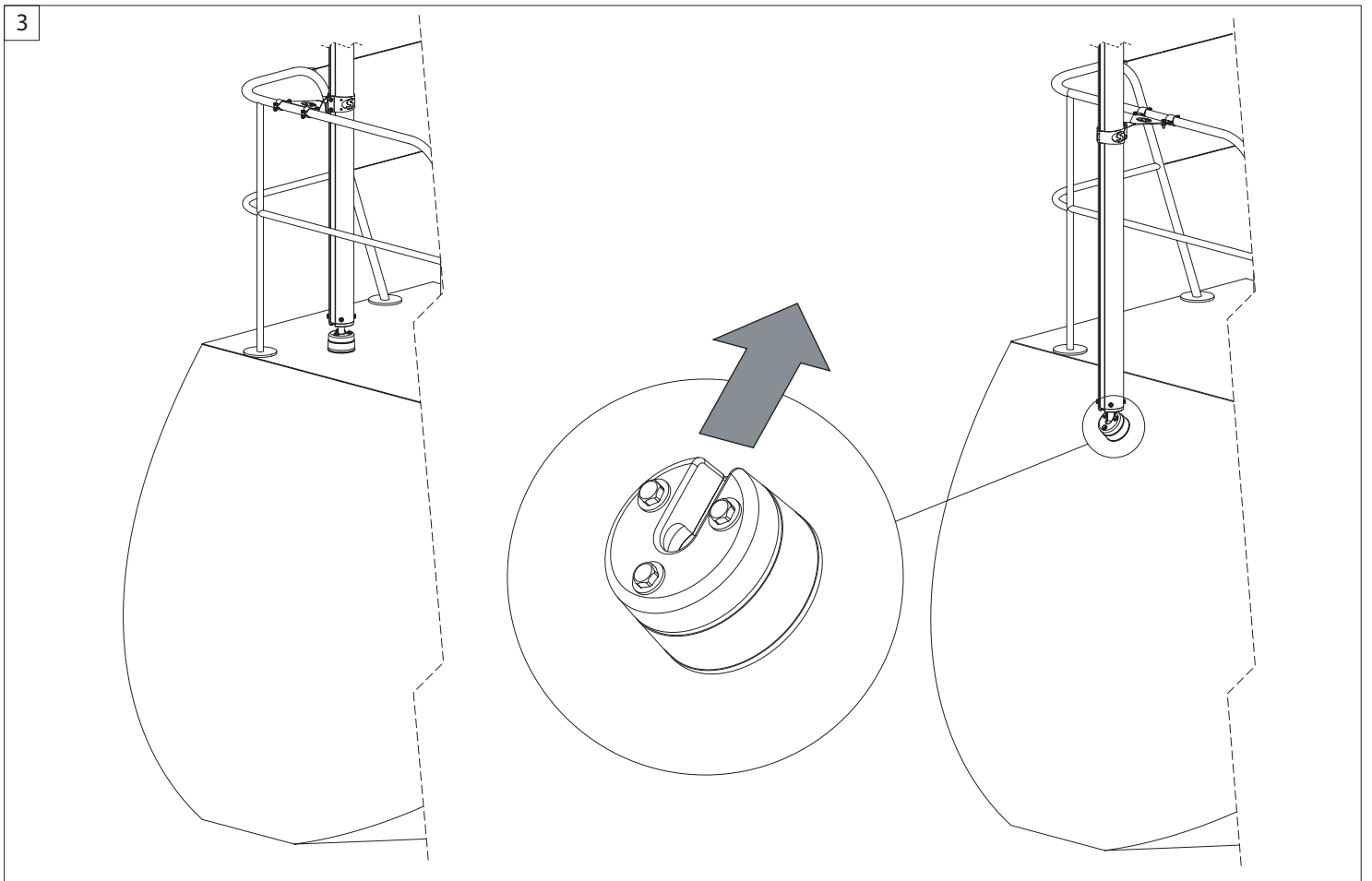
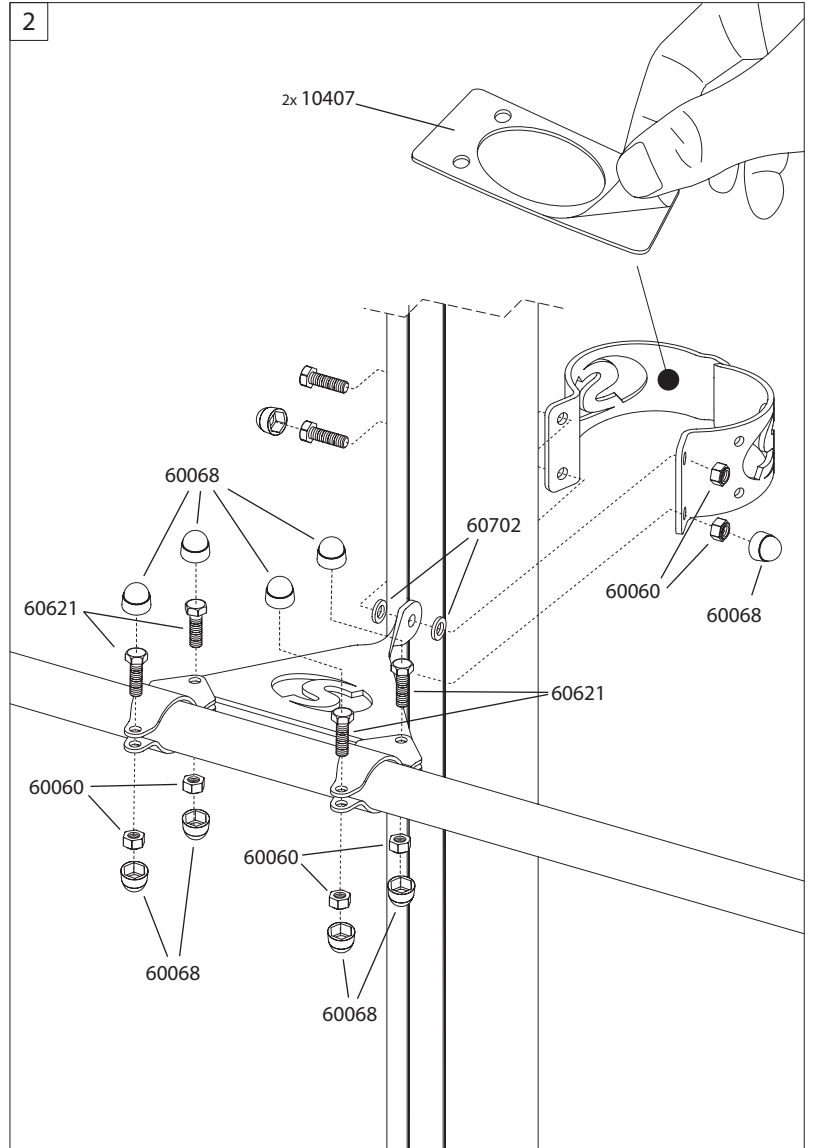
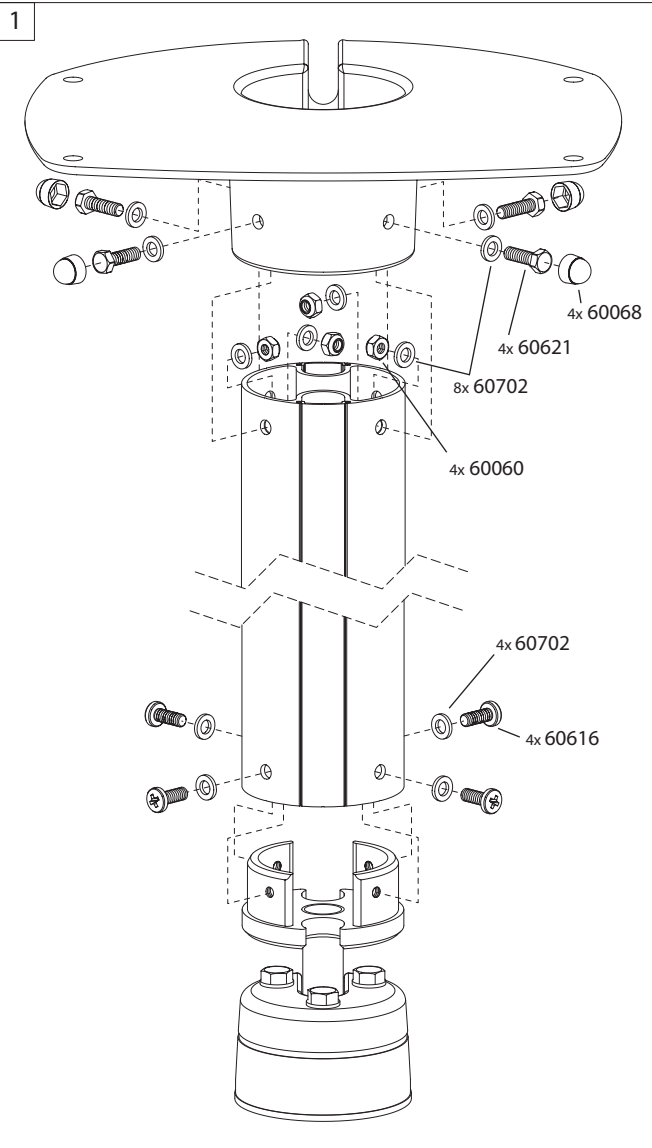


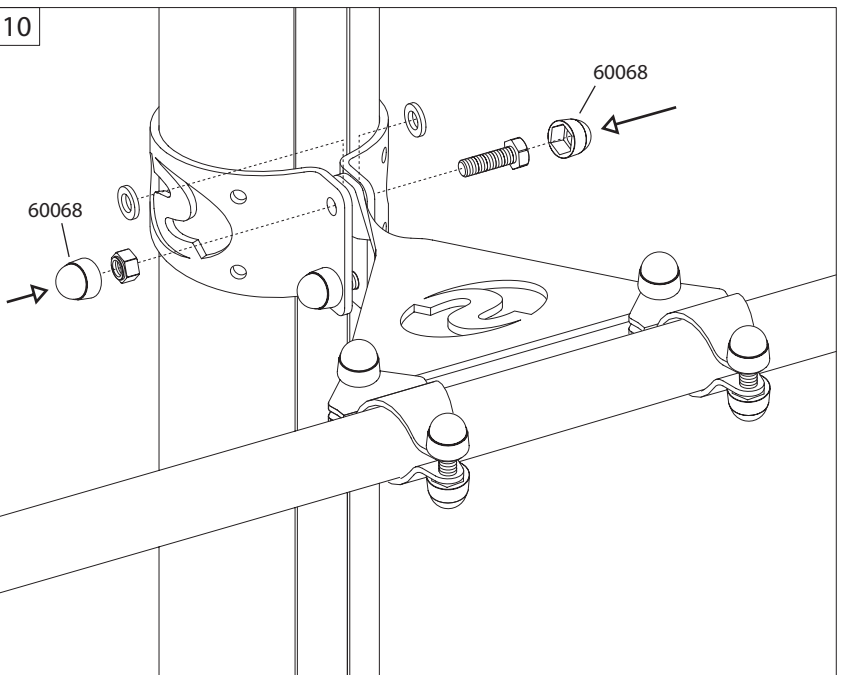
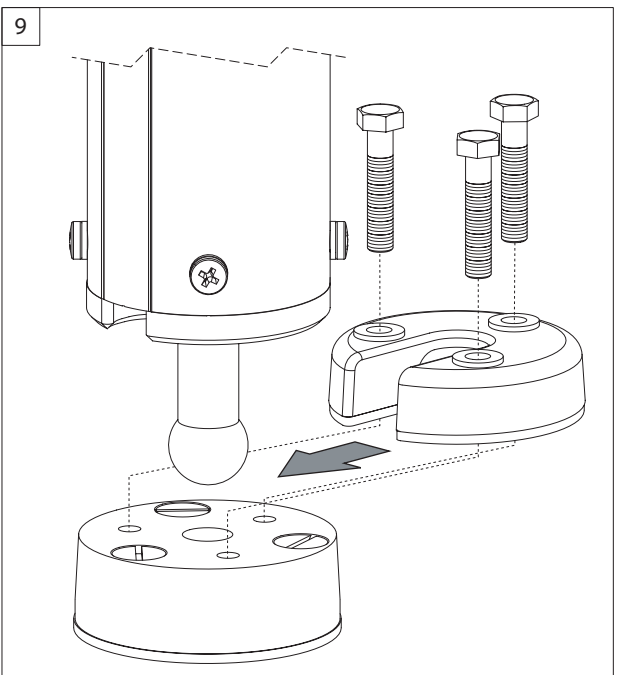
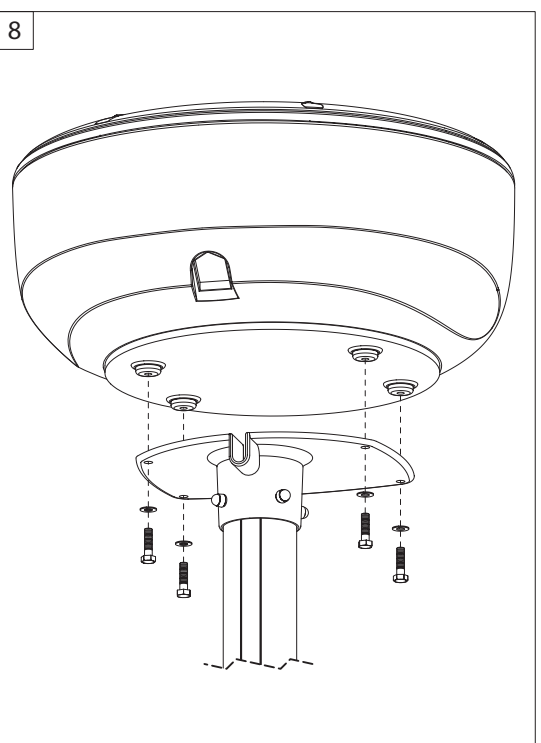
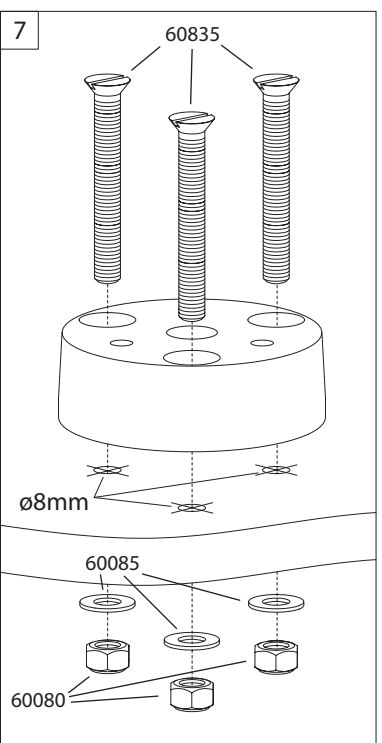
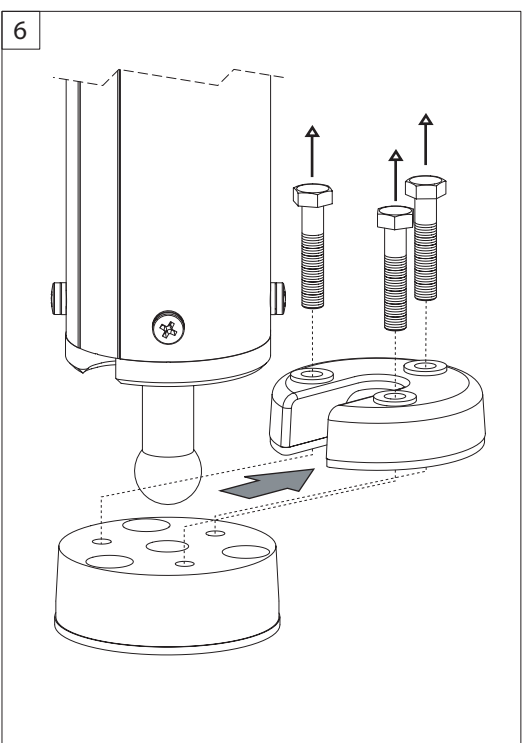
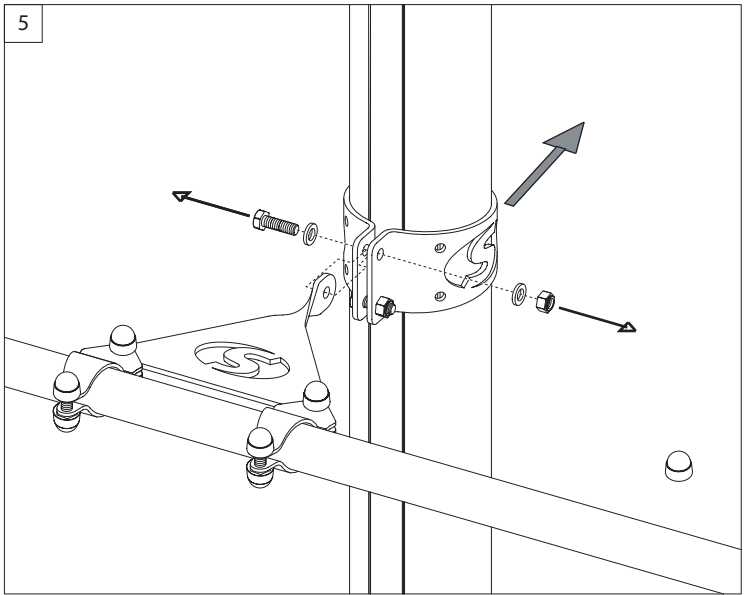
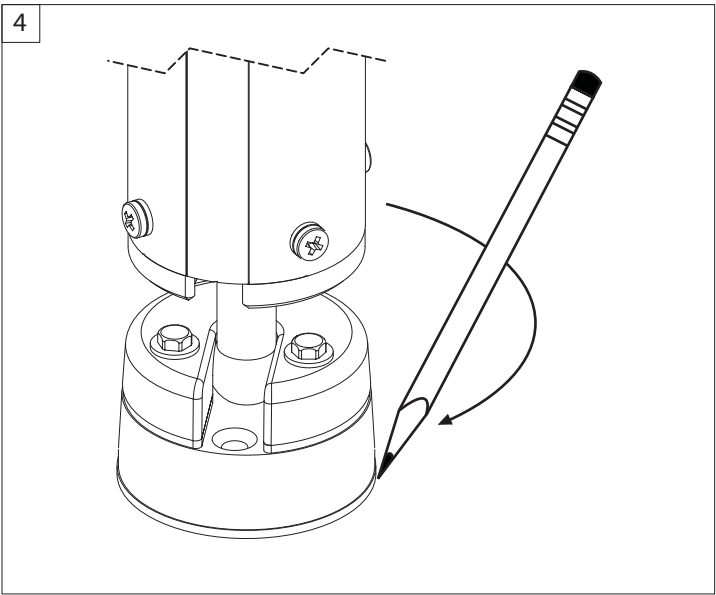
19310 - 25mm Rail Standoff

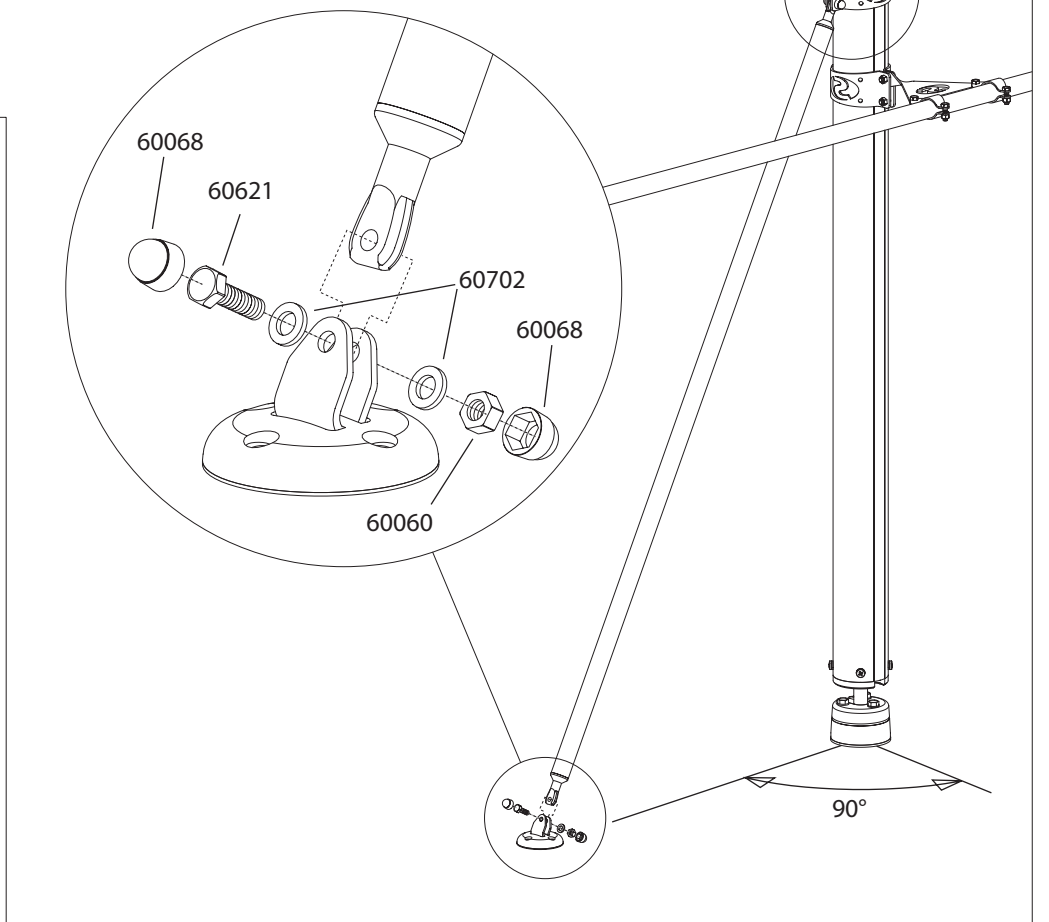
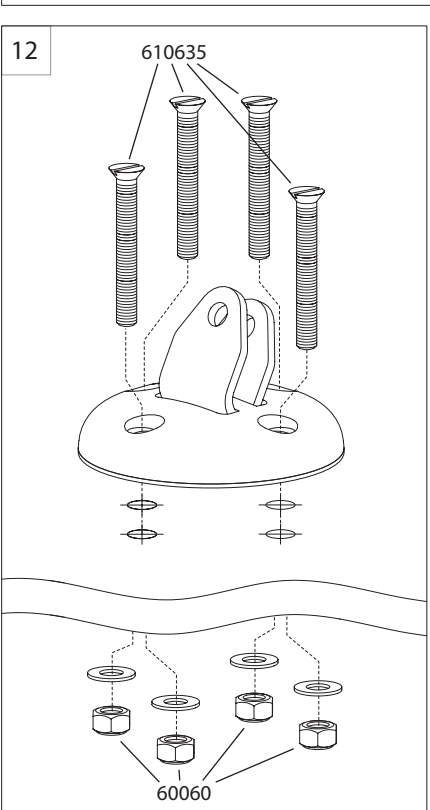
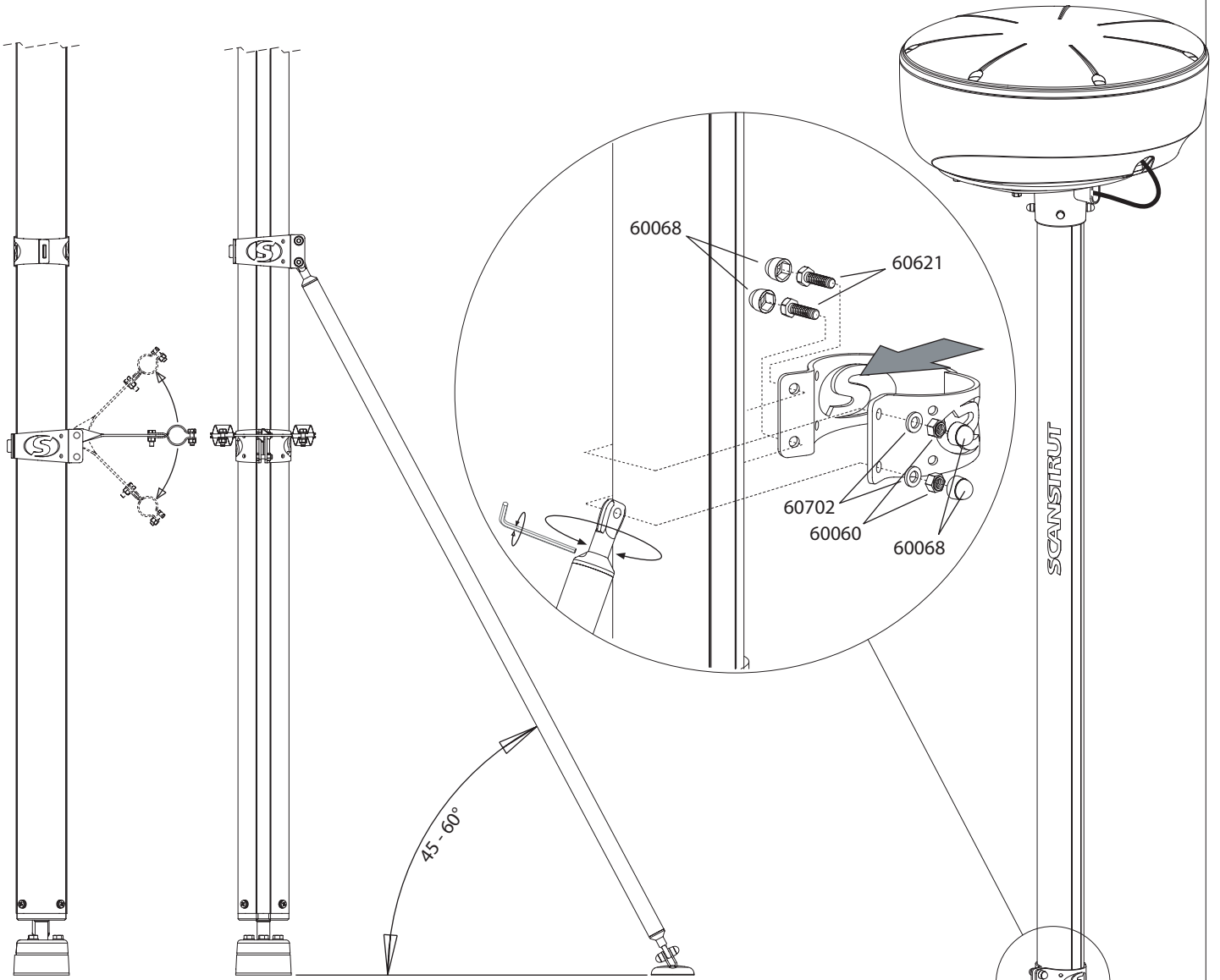


19301 - Adjustable SC100 Base



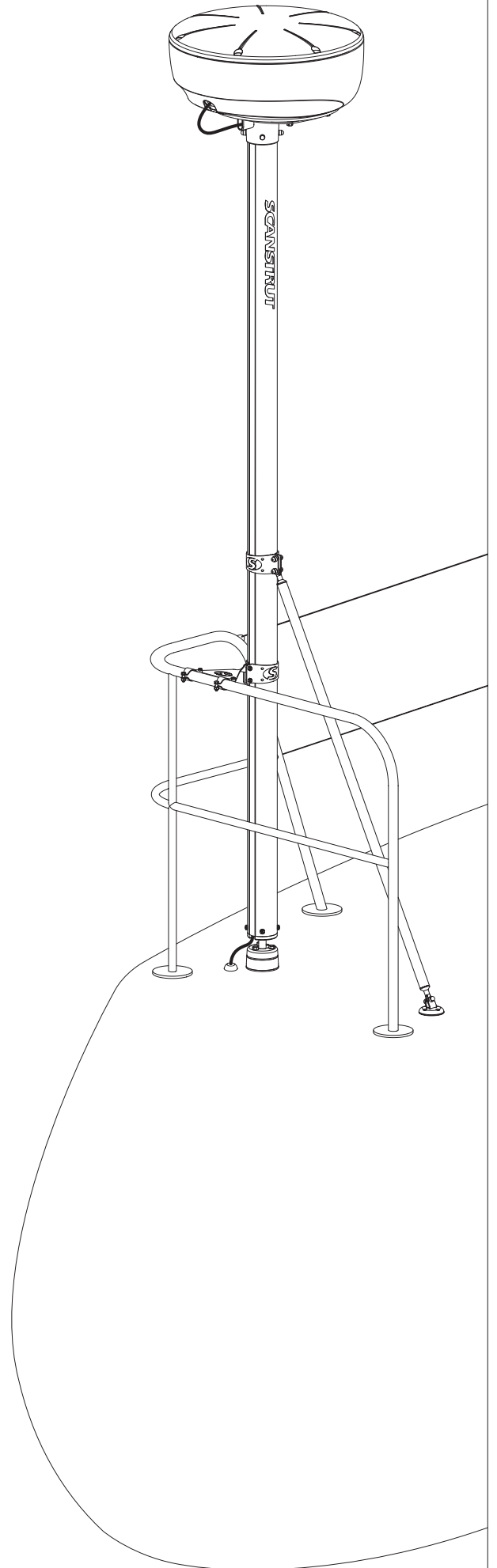






IMPORTANT

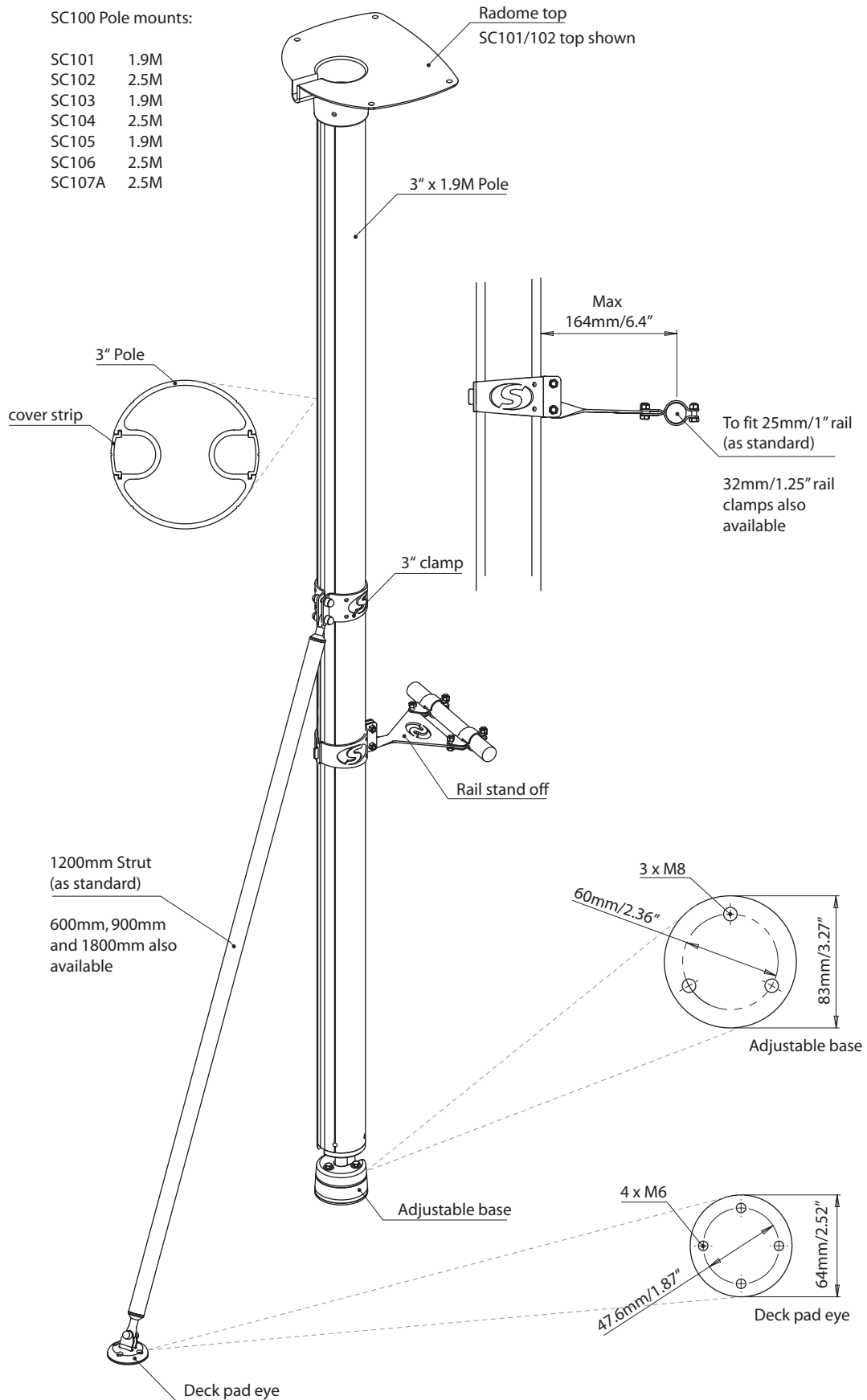
SC100 pole systems are only compatible with marine electronics devices as stated in the latest Scanstrut Product Guide – subject to change without prior notice. Use of the SC100 pole system with unapproved products, or overloading, invalidates any product warranty. No liability is accepted for damage caused by incorrect installation. The installation and assembly must be regularly inspected for evidence of damage or loose parts. Product has been designed specifically for the mounting of approved marine electronics under normal boating conditions.



SC100 Pole Mount

SC100 Pole mounts:

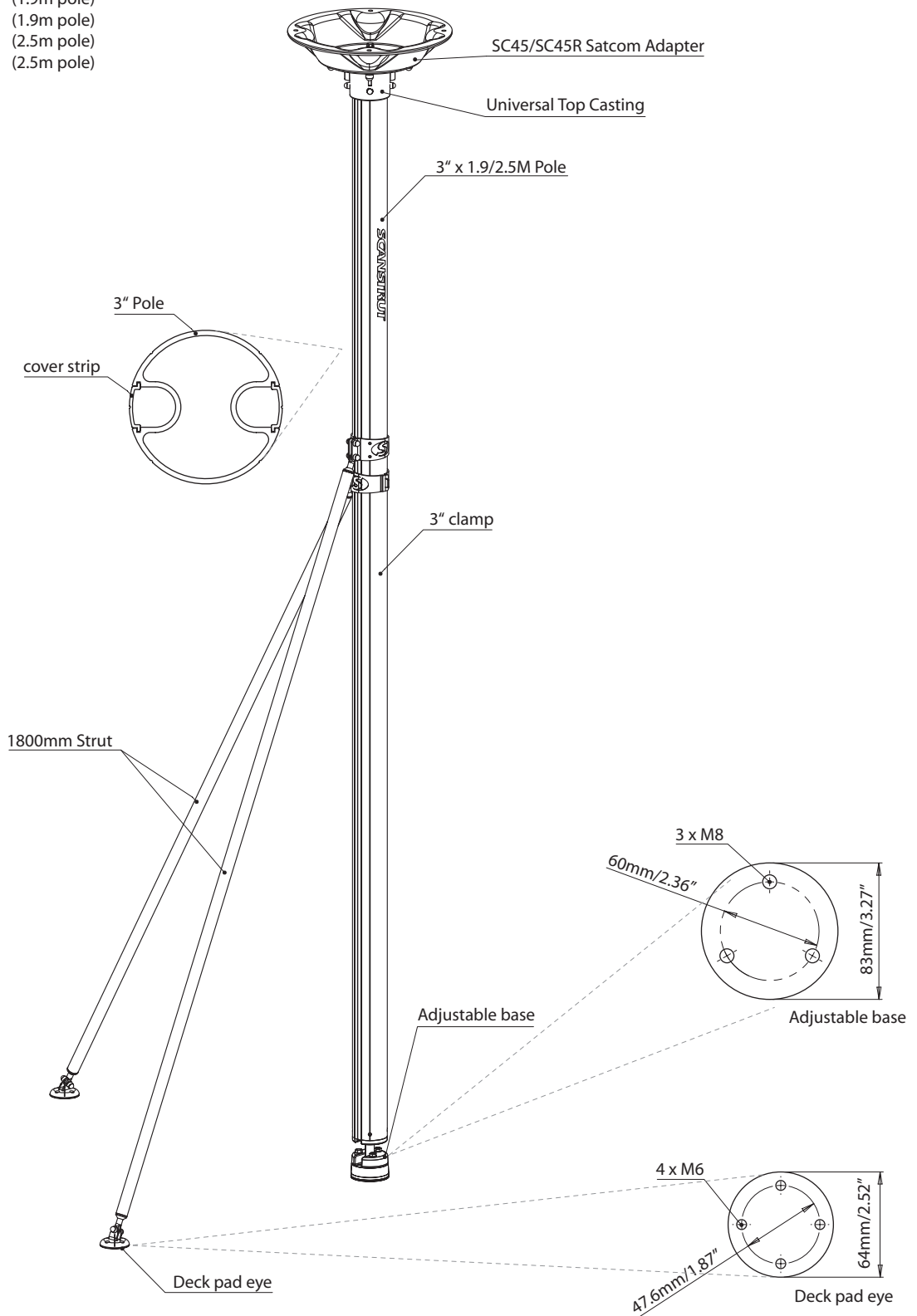
SC101	1.9M
SC102	2.5M
SC103	1.9M
SC104	2.5M
SC105	1.9M
SC106	2.5M
SC107A	2.5M

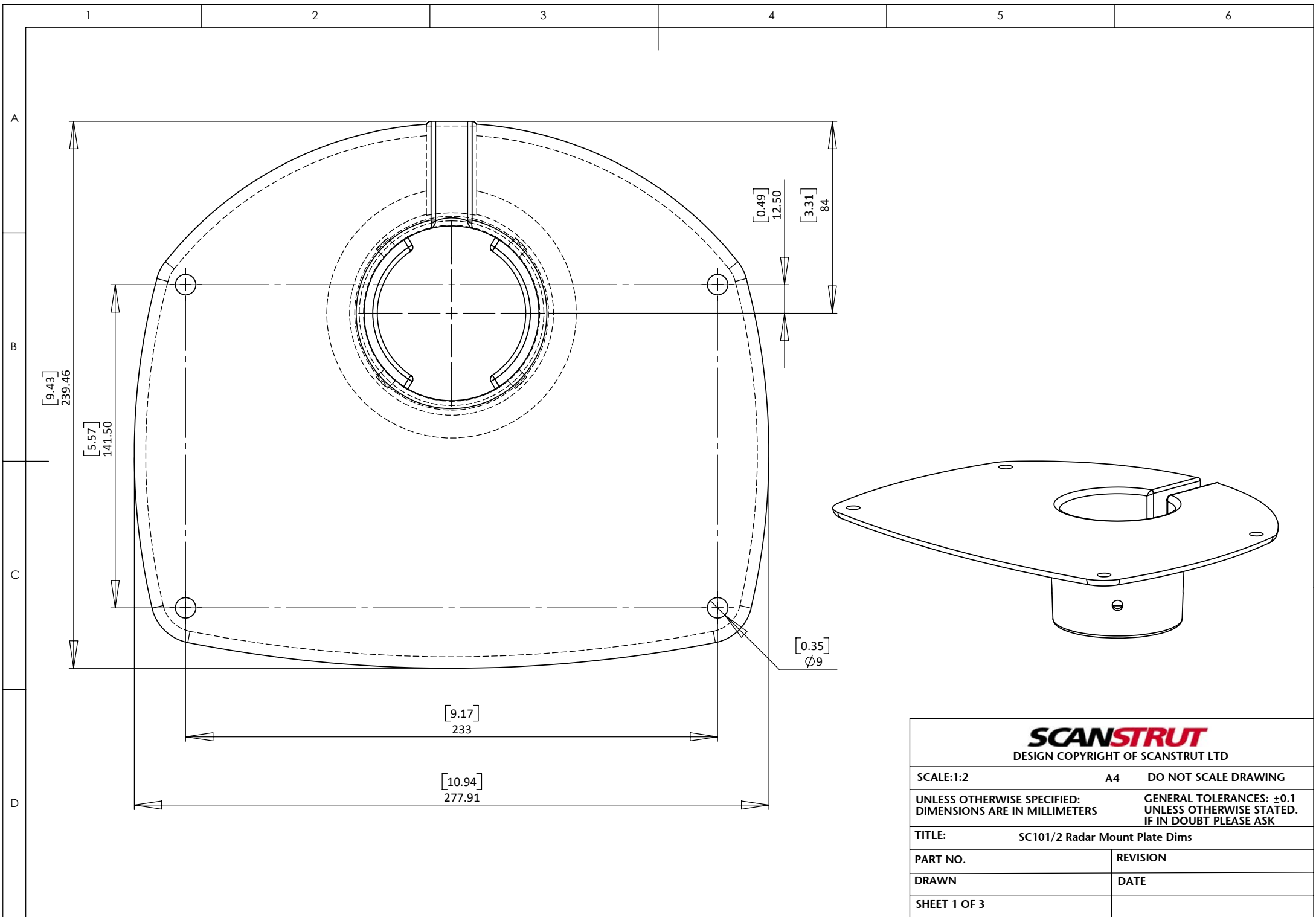


SC105/6-45/45R Pole Mount

Product Configurations:

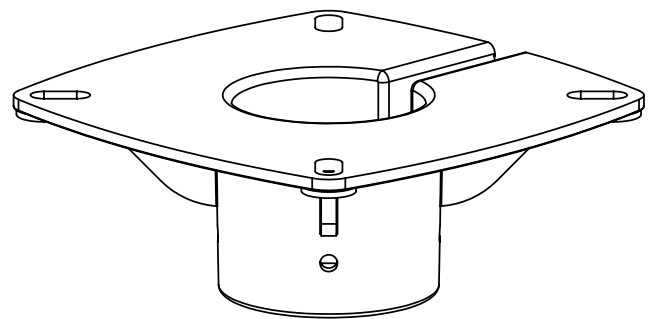
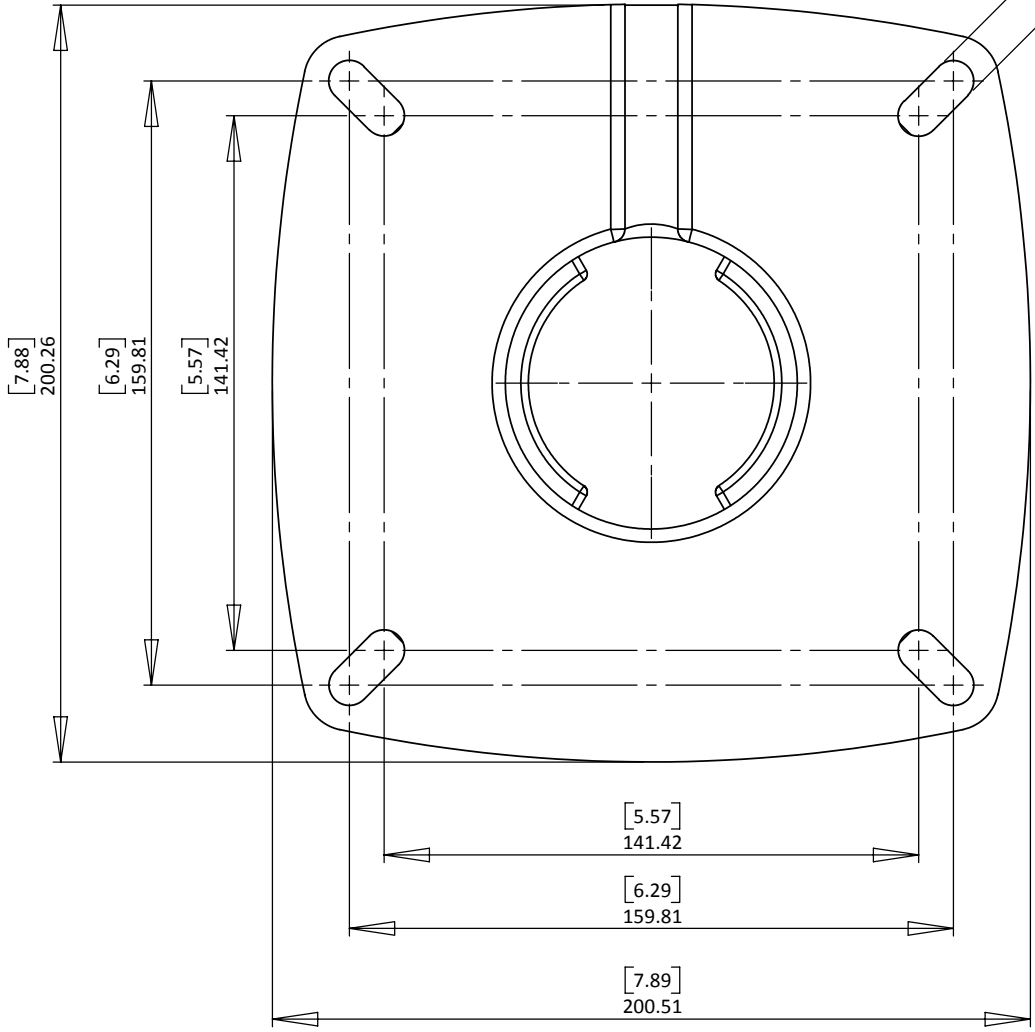
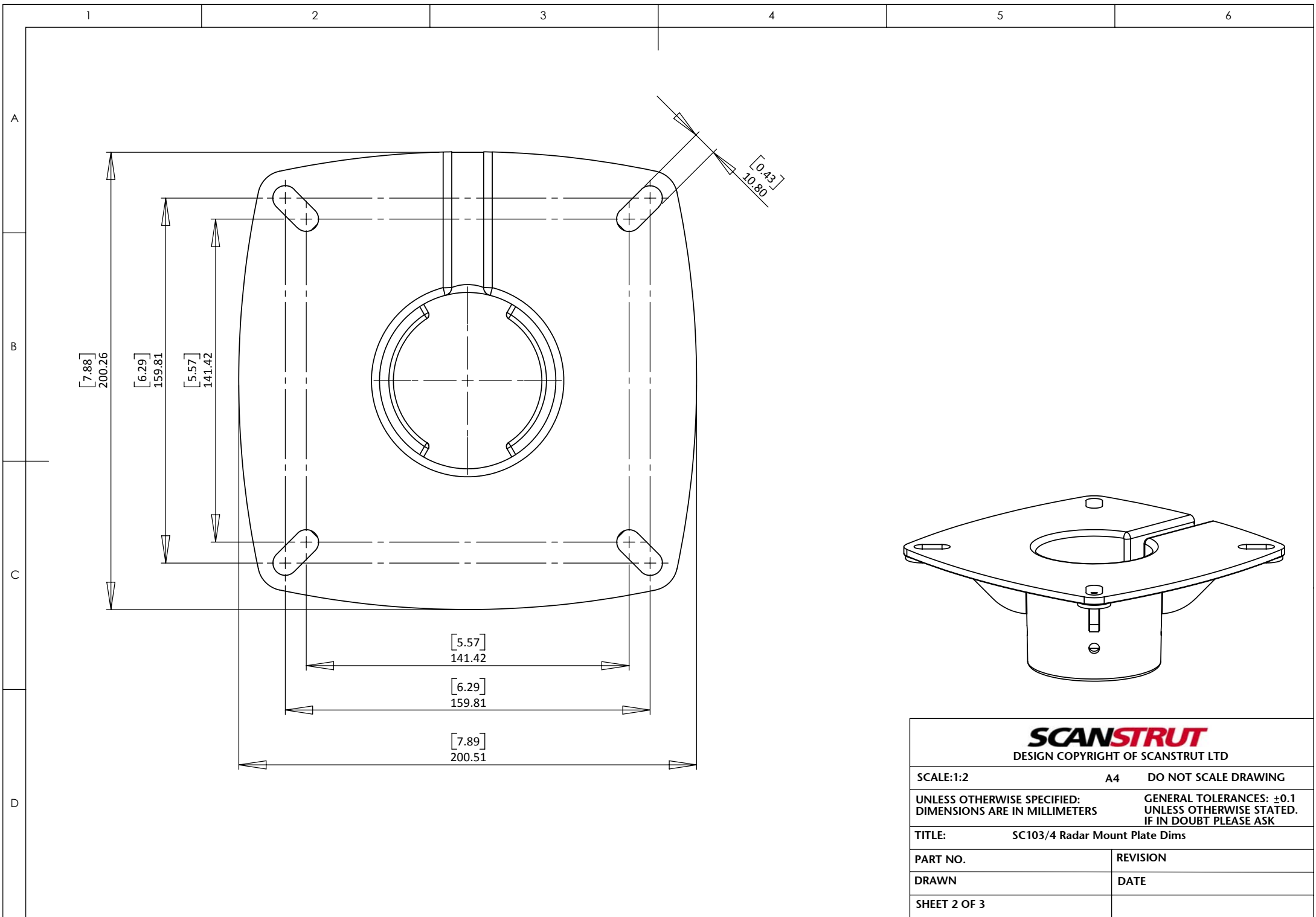
SC105-45	(1.9m pole)
SC105-45R	(1.9m pole)
SC106-45	(2.5m pole)
SC106-45R	(2.5m pole)



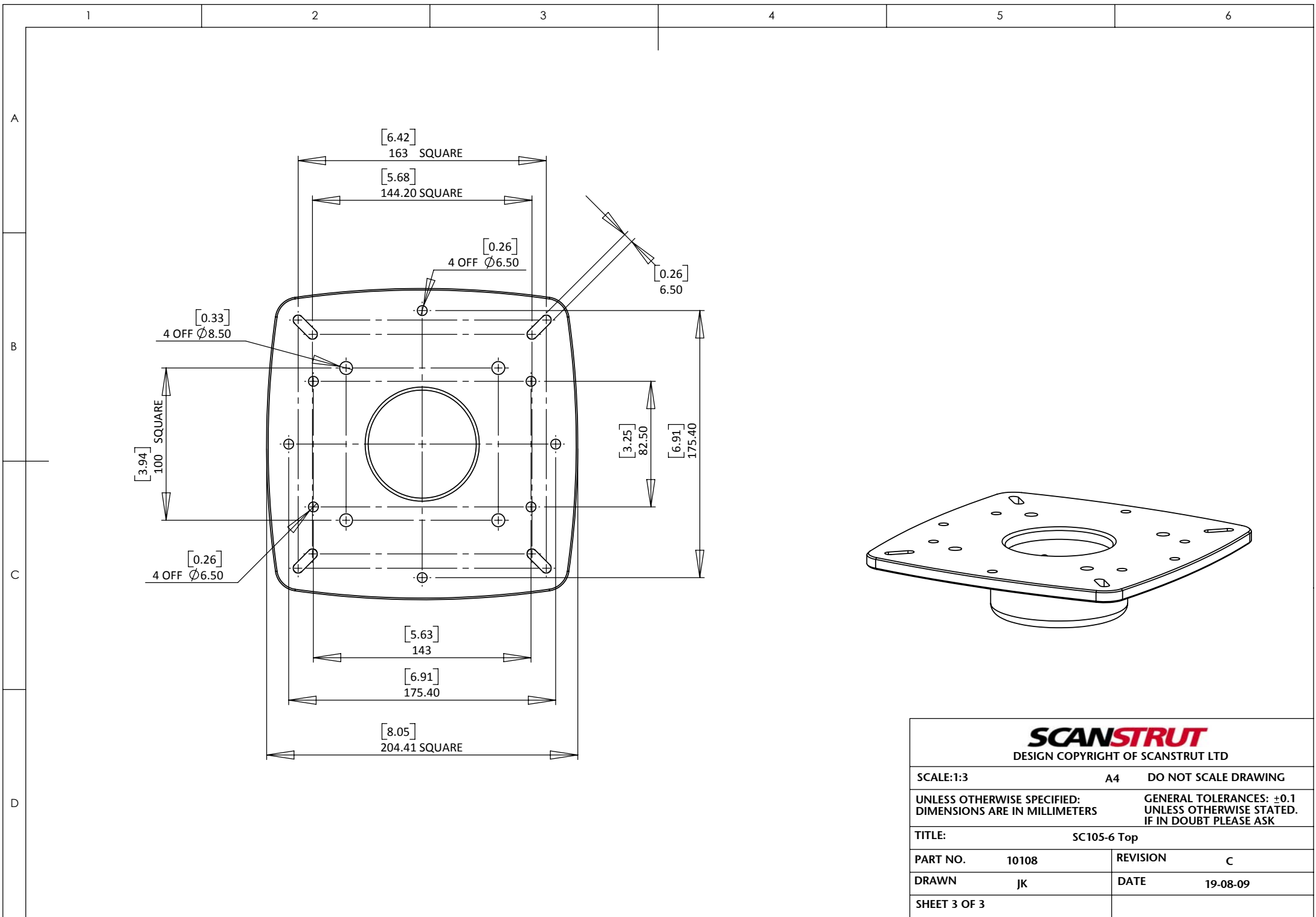


SCANSTRUT
 DESIGN COPYRIGHT OF SCANSTRUT LTD

SCALE:1:2	A4	DO NOT SCALE DRAWING
UNLESS OTHERWISE SPECIFIED: DIMENSIONS ARE IN MILLIMETERS		GENERAL TOLERANCES: ± 0.1 UNLESS OTHERWISE STATED. IF IN DOUBT PLEASE ASK
TITLE: SC101/2 Radar Mount Plate Dims		
PART NO.	REVISION	
DRAWN	DATE	
SHEET 1 OF 3		



SCANSTRUT DESIGN COPYRIGHT OF SCANSTRUT LTD	
SCALE:1:2	A4 DO NOT SCALE DRAWING
UNLESS OTHERWISE SPECIFIED: DIMENSIONS ARE IN MILLIMETERS	GENERAL TOLERANCES: ±0.1 UNLESS OTHERWISE STATED. IF IN DOUBT PLEASE ASK
TITLE:	SC103/4 Radar Mount Plate Dims
PART NO.	REVISION
DRAWN	DATE
SHEET 2 OF 3	



SCANSTRUT DESIGN COPYRIGHT OF SCANSTRUT LTD			
SCALE:1:3		A4 DO NOT SCALE DRAWING	
UNLESS OTHERWISE SPECIFIED: DIMENSIONS ARE IN MILLIMETERS		GENERAL TOLERANCES: ±0.1 UNLESS OTHERWISE STATED. IF IN DOUBT PLEASE ASK	
TITLE:		SC105-6 Top	
PART NO.	10108	REVISION	C
DRAWN	JK	DATE	19-08-09
SHEET 3 OF 3			