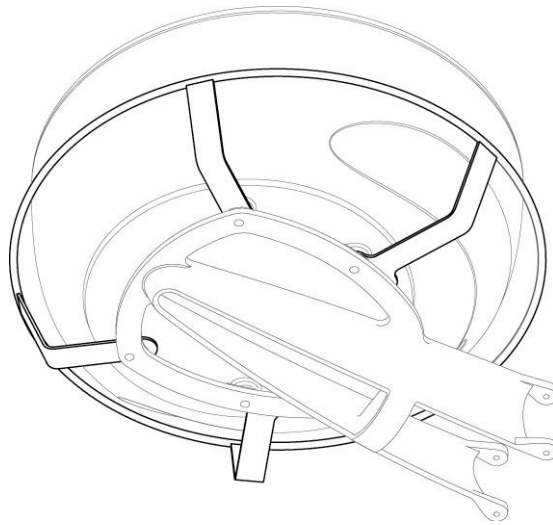


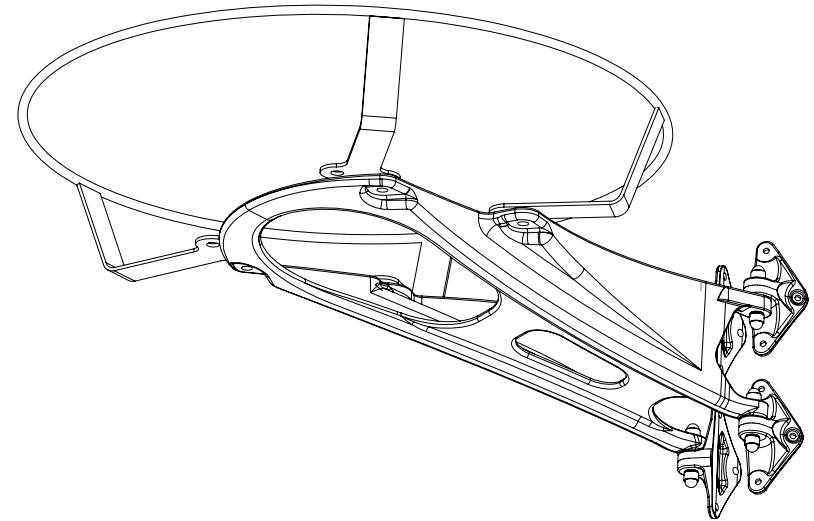
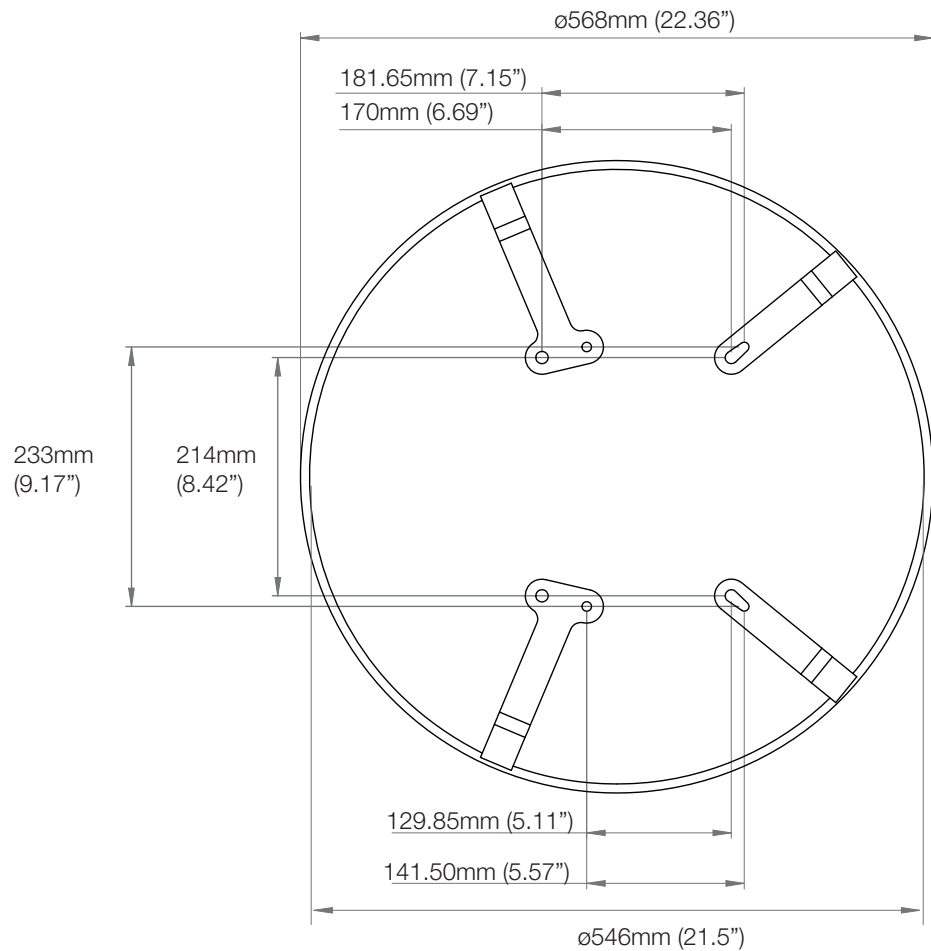
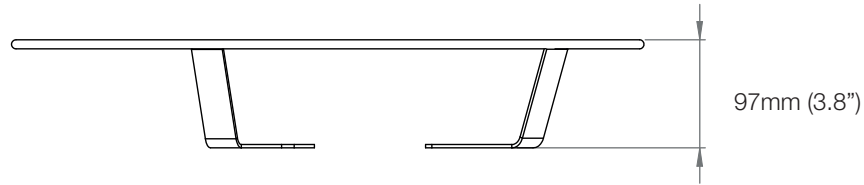
Radar Guard - SC24, SC25, SC26, SC27, SC28
Installation Instructions



Fitting Radar Guards_SC24, SC25, SC26, SC27, SC28

1. Once mast mount is fitted to the mast, install radar and radar guard.
2. Use the long fixing bolts supplied with the radar to attach the radar guard and radar to the mast mount.
3. We advise the use of large washers under the bolt heads to spread the load. We also advise the use of spring washers to prevent the fixing bolts from loosening.
4. Fully tighten all fixings.

SC27 - Radar Guard



For Mast Mount: SC21
M92722
M92698

SCANSTRUT