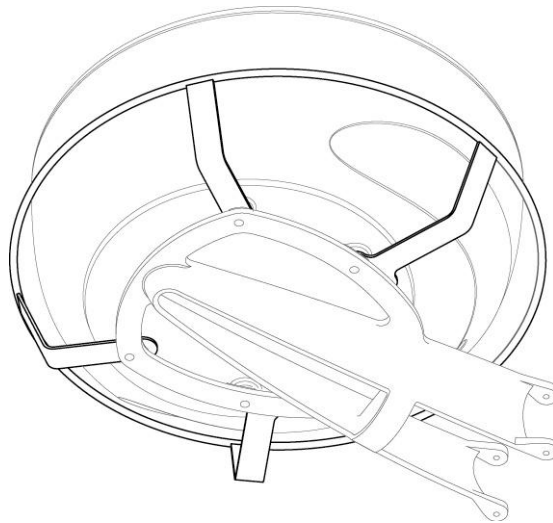


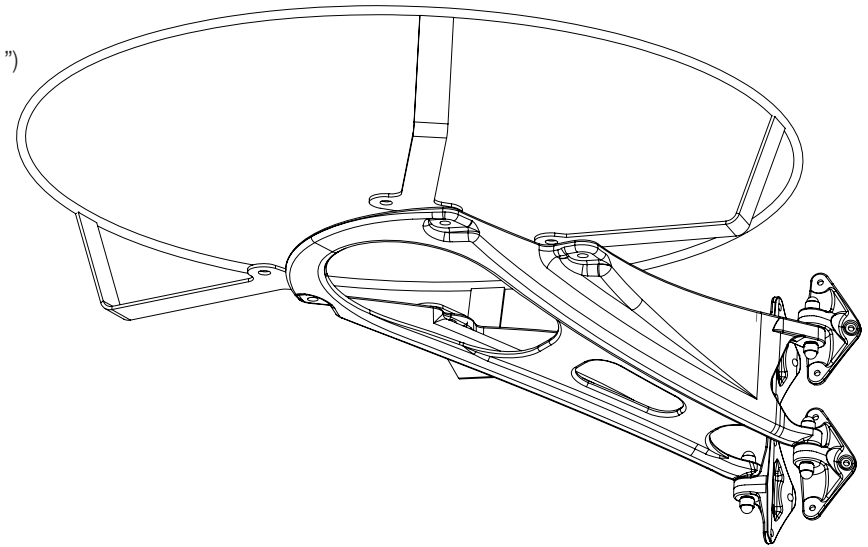
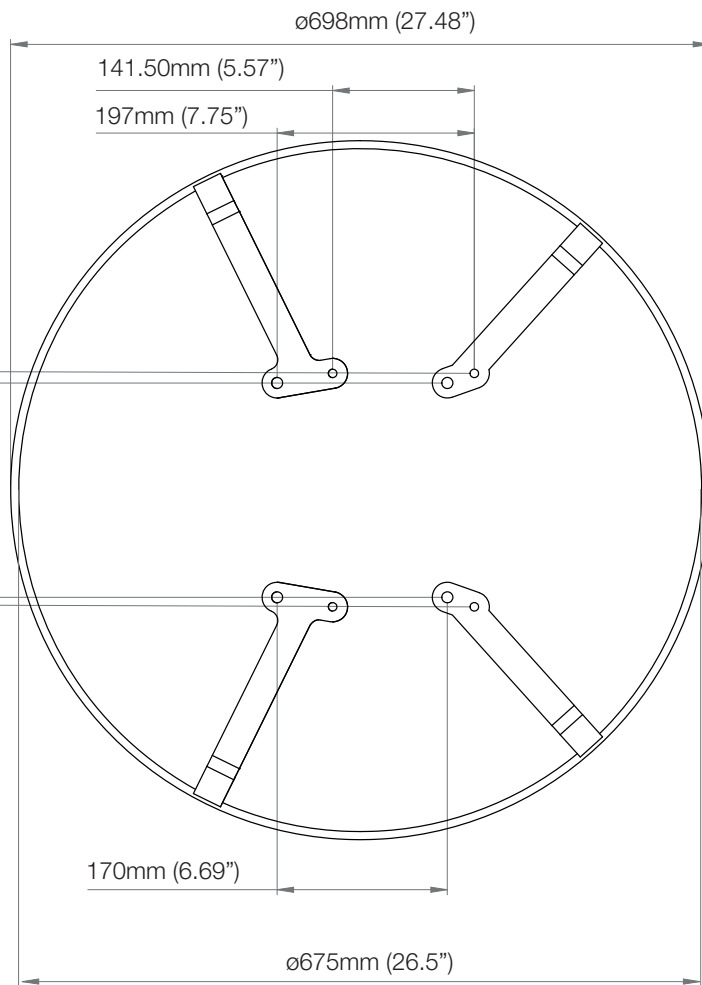
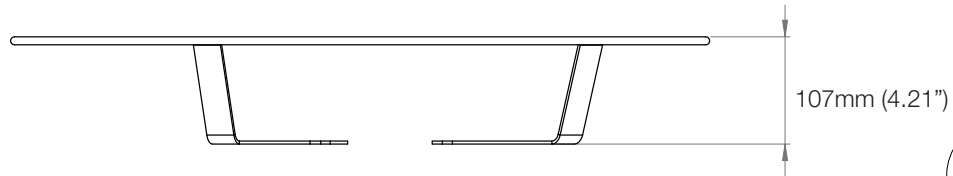
**Radar Guard - SC24, SC25, SC26, SC27, SC28**  
**Installation Instructions**



**Fitting Radar Guards\_SC24, SC25, SC26, SC27, SC28**

1. Once mast mount is fitted to the mast, install radar and radar guard.
2. Use the long fixing bolts supplied with the radar to attach the radar guard and radar to the mast mount.
3. We advise the use of large washers under the bolt heads to spread the load. We also advise the use of spring washers to prevent the fixing bolts from loosening.
4. Fully tighten all fixings.

# SC28 - Radar Guard



For Mast Mount: SC21  
M92722  
M92698

**SCANSTRUT**

Learn more about marine electronics and navigation on our website.