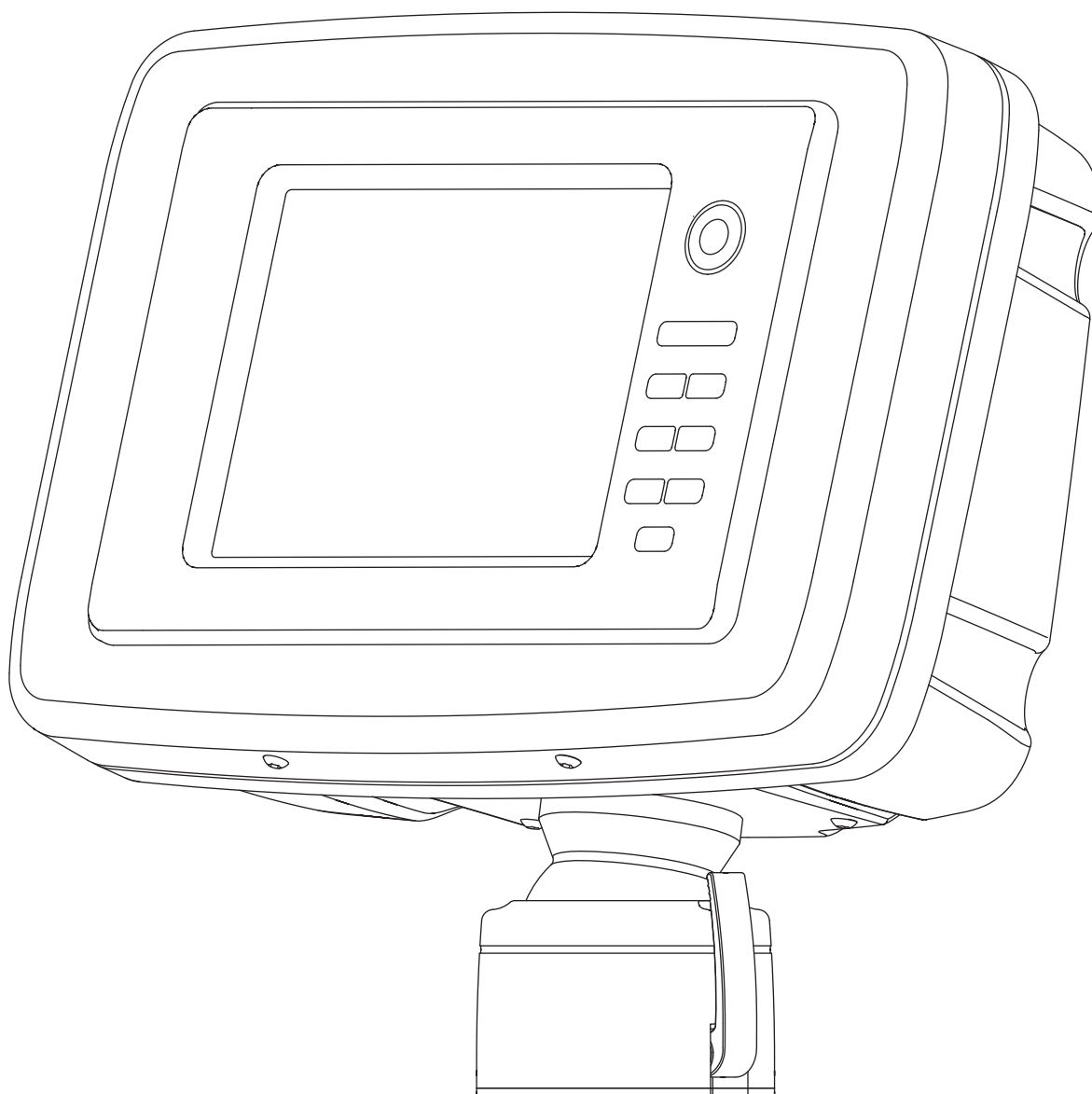


Scanstrut Scanpod Installation Instructions

DECK POD



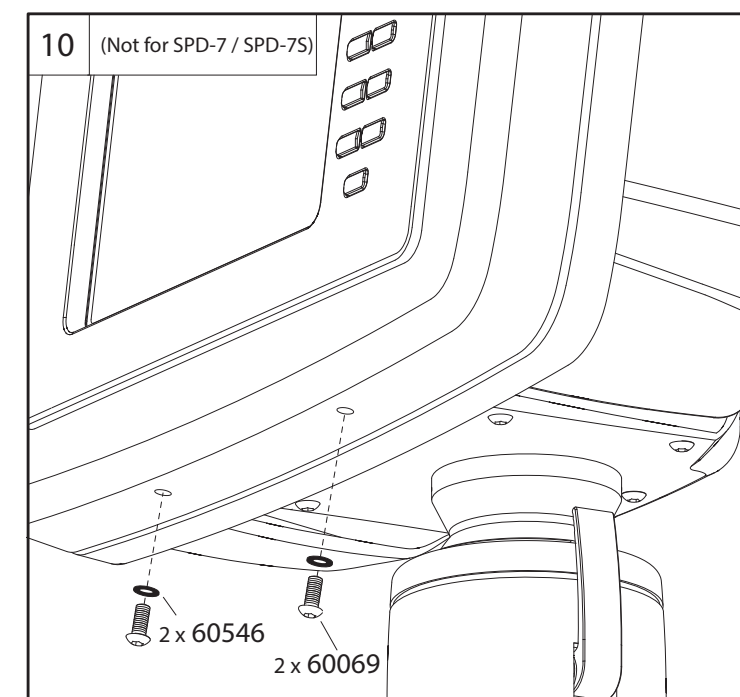
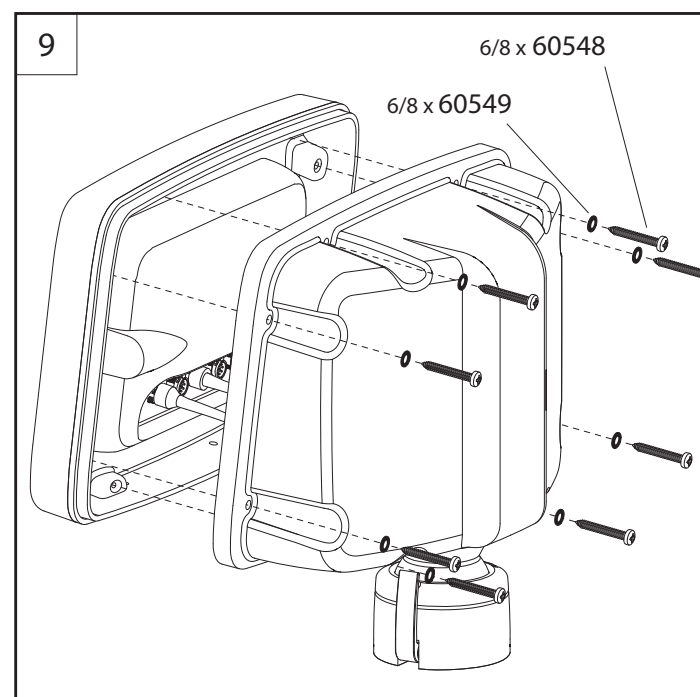
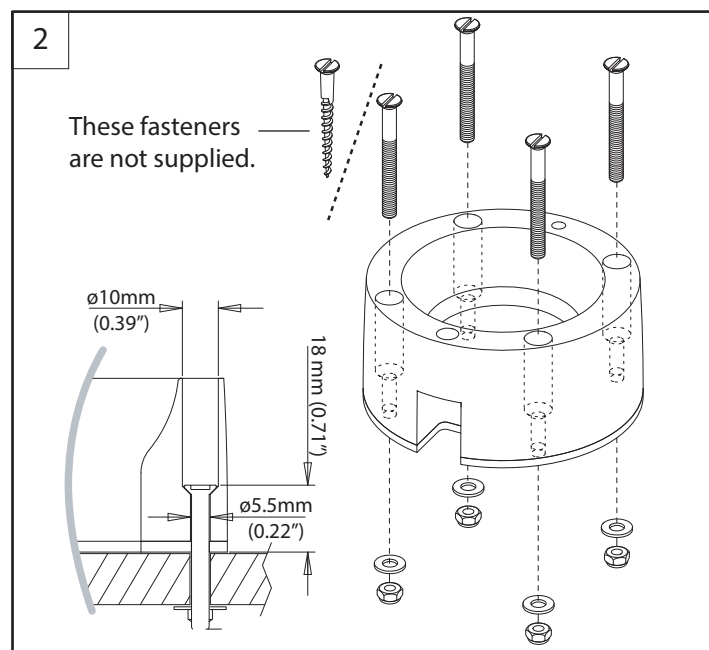
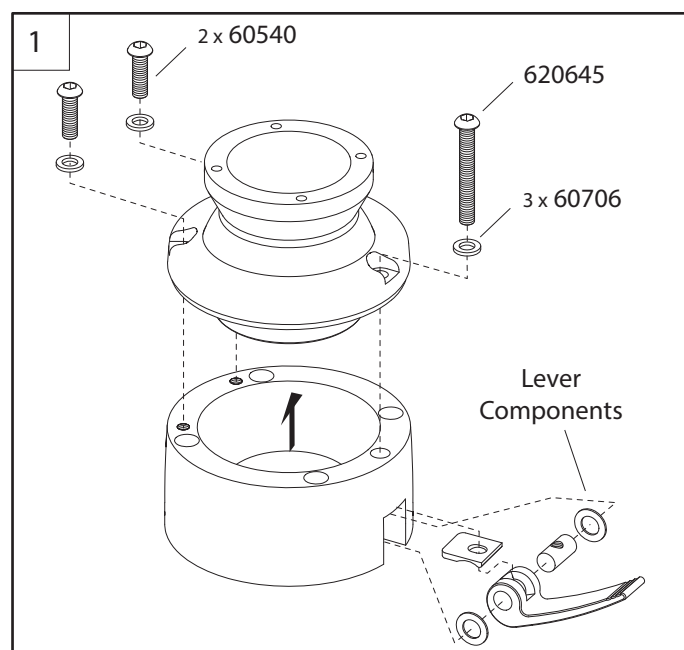
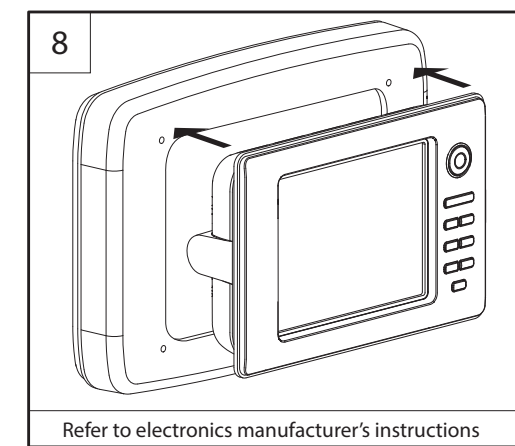
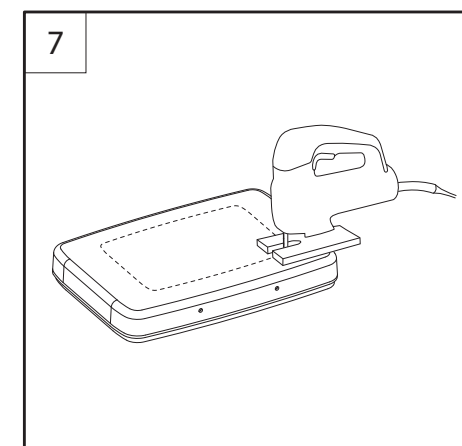
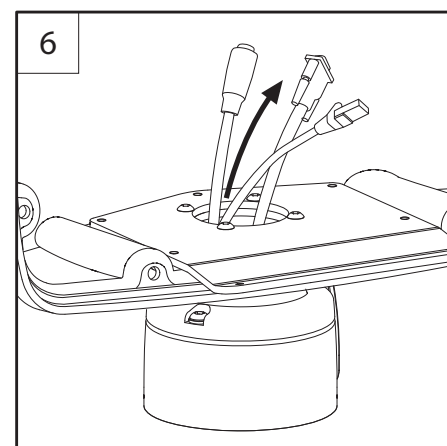
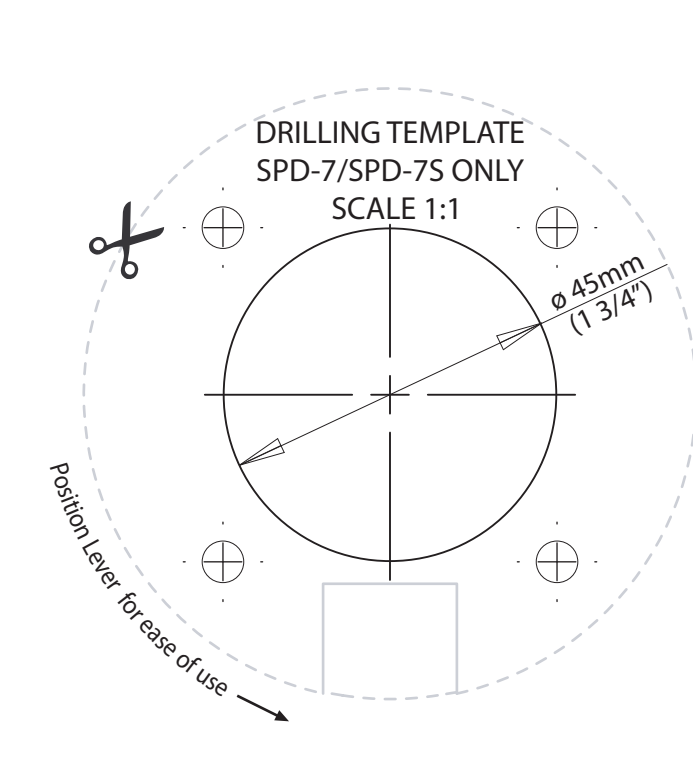
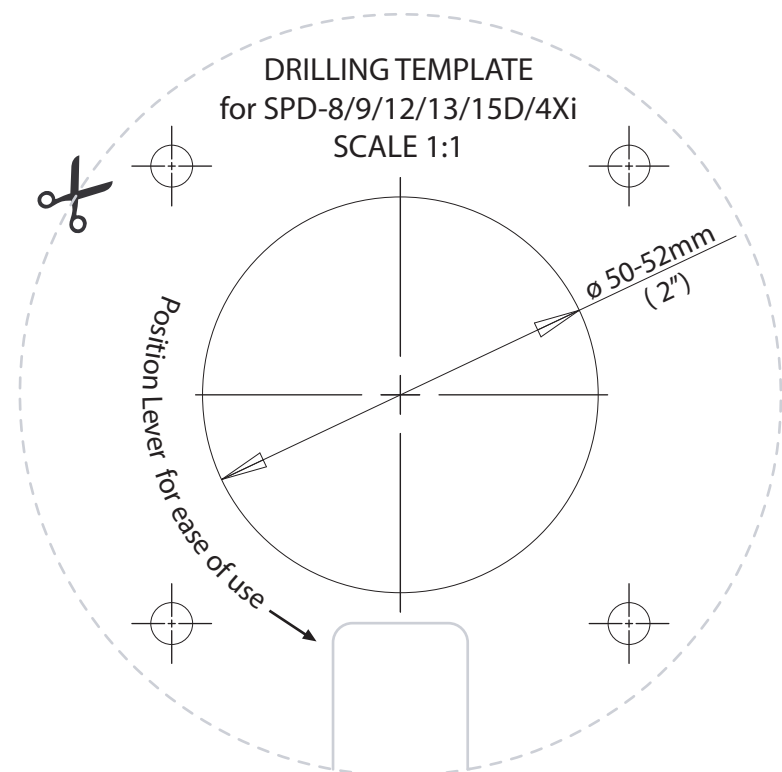
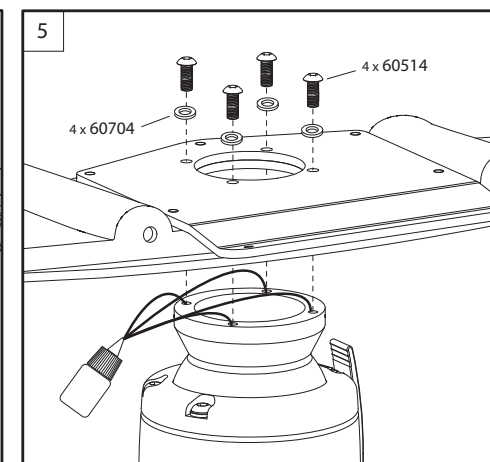
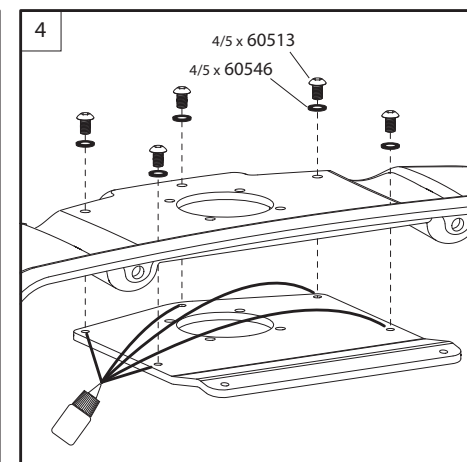
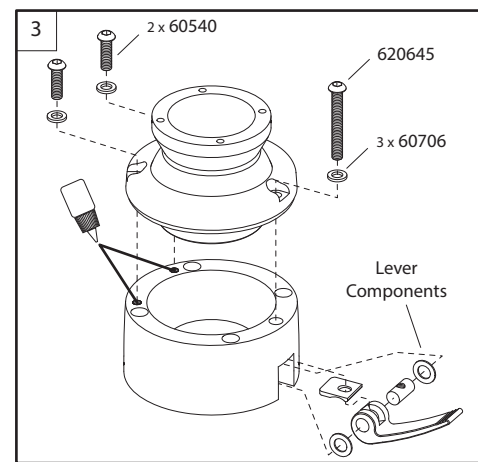
Parts List SPD-7/7S/8/9/12/13

Assembled Deck Pod Base	Pod Back	60548 x6/x8
	Pod Front	60704
	60514 / 60069	60546
		60513
		60549

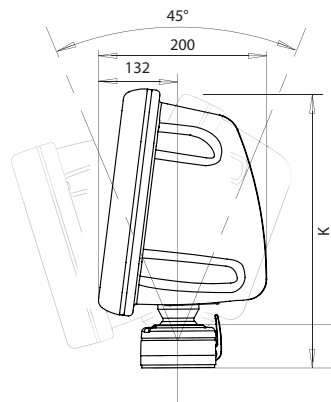
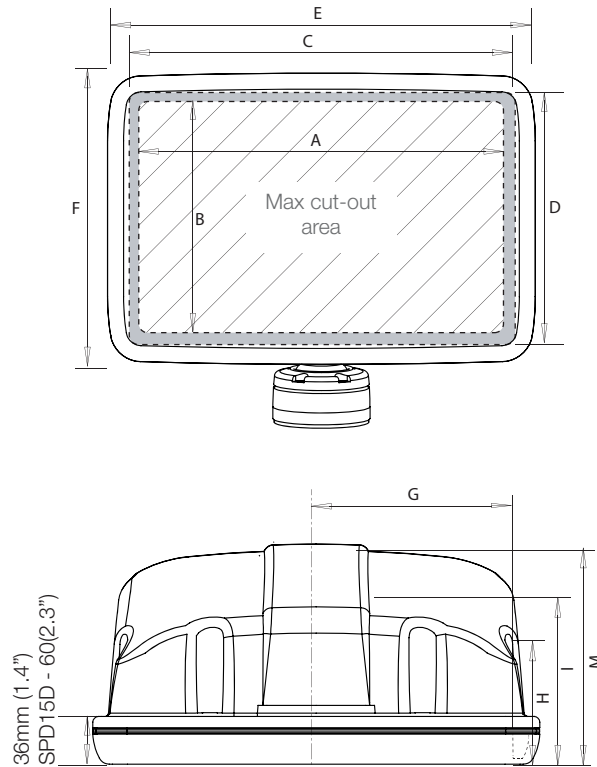
SPD-7/7S	6x 60548
SPD-8/9/12/13	8x 60548
	4x 60513
	4x 60546
	6x 60069

Tools Required

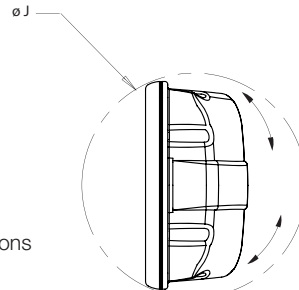
	Jigsaw/Spiral Saw
	Hole Saw ø50-52mm (2")
	Power drill
	Posidriv No. 3 Screwdriver
	3 & 4mm Allen
	Threadlock



Deck Pod

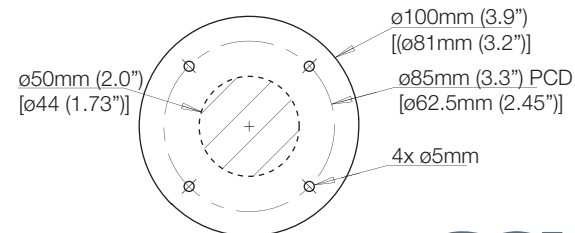


Deck Base Height
(SPD-7/7S dimensions in square brackets)
95mm (3.7")
[67.5mm (1.73")]



	Maximum cut-out area		Maximum usable face		Overall dimensions	
	A mm / inches	B mm / inches	C mm / inches	D mm / inches	E mm / inches	F mm / inches
SPD-7S-W	218/8.5	140.5/5.5	240/9.4	159/6.25	275/10.8	196/7.7
SPD-7-W	218/8.5	140.5/5.5	240/9.4	159/6.25	275/10.8	196/7.7
SPD-8-W	267/10.5	167/6.6	289/11.4	190/7.5	324/12.75	228/8.97
SPD-9-W	314/12.3	185/7.3	336/13.2	207/8.14	374/14.7	243/9.56
SPD-12-W	332.5/13	227/8.9	354.5/14	244.5/9.6	392/15.5	286/11.3
SPD-13-W	351/13.8	228/9.0	373/14.7	246/9.7	409/16.1	287/11.3
SPD-15D-W	423/16.7	333/13.1	424/16.7	349/13.7	482/19.0	396/15.6
SPD-4Xi-W	235/9.25	140/5.5	255/10.0	160/6.3	565/22.25	192/7.5

	G mm / inches	H mm / inches	I mm / inches	J mm / inches	K mm / inches	M mm / inches
	SPD-7S-W	109/4.3	78/3.1	87/3.43	295/11.6	253/10.0
SPD-7-W	111/4.3	108/4.25	136/5.35	295/11.6	253/10.0	144/5.7
SPD-8-W	128.5/5.0	134/5.3	152.8/6.0	346/13.6	310/12.2	167/6.6
SPD-9-W	150/5.9	111/4.4	145/5.7	407/17.3	367/14.4	167/6.6
SPD-12-W	170/6.7	109/4.3	145/5.7	428/16.0	369/14.5	167/6.6
SPD-13-W	182/6.5	104/4.1	145/5.7	448/19.1	404/15.9	167/6.6
SPD-15D-W	199/7.8	104/4.1	146/5.7	535/21.1	490/19.3	175/6.9
SPD-4Xi-W	271/10.7	80/3.1	159/6.25	577/22.7	271.5/10.7	205/8.0



Base Footprint
(SPD-7/7S dimensions in square brackets)



SCANSTRUT