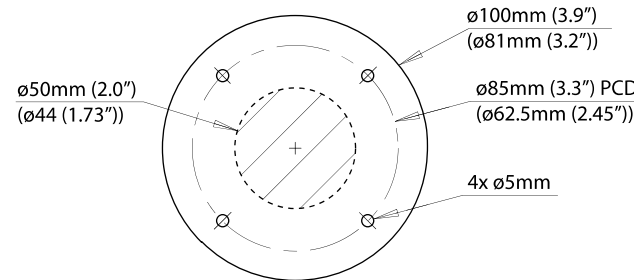
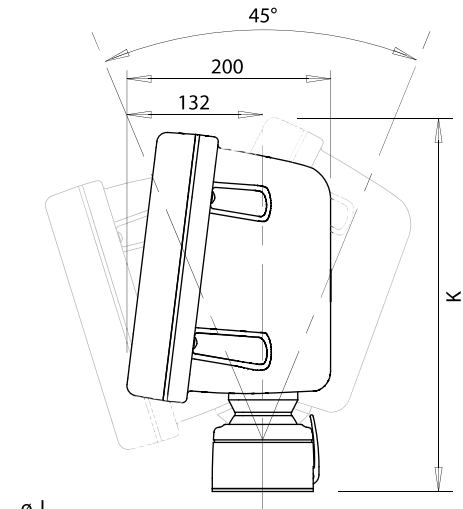
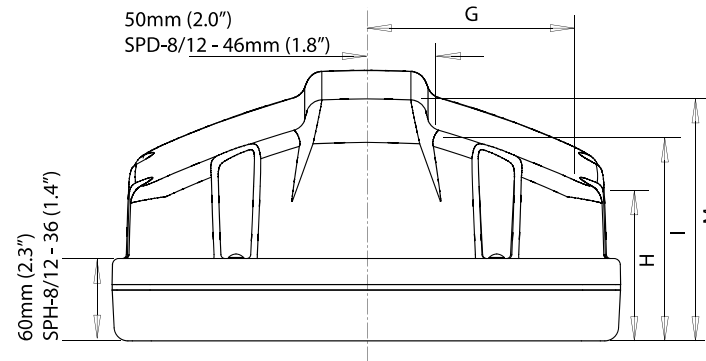
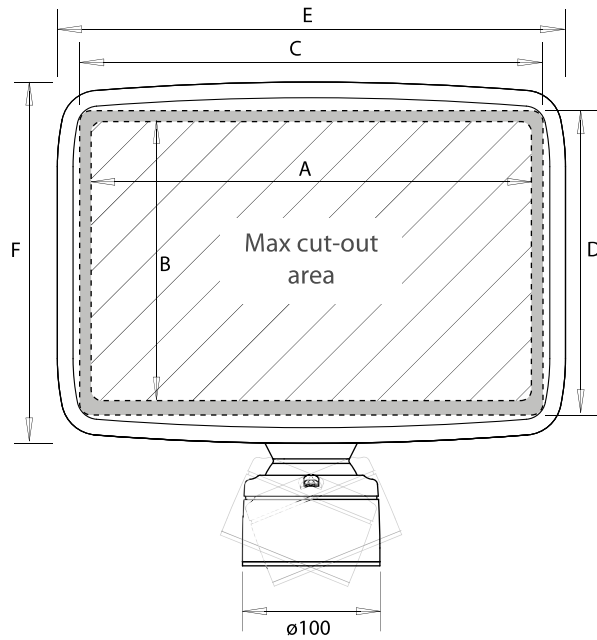


Deck Pod



Base Footprint
(SPD-7 dimensions in brackets)

	A mm / inches	B mm / inches	C mm / inches	D mm / inches	E mm / inches	F mm / inches	G mm / inches	H mm / inches	I mm / inches	J mm / inches	K mm / inches	M mm / inches
SPD-8D	312/12.3	200/7.9	334/13.1	223/8.8	371/14.6	264/10.4	150/5.9	111/4.4	150/5.9	440/17.3	367/14.4	175/6.9"
SPD-12D	365/14.4	241/9.5	384/15.1	263/10.4	424/16.7	304/12.0	169/6.5	140/5.5	160/6.3	485/19.1	404/15.9	175/6.9"
SPD-15D	423/16.7	333/13.1	424/16.7	349/13.7	482/19.0	396/15.6	199/7.8	104/4.1	146/5.7	535/21.1	490/19.3	175/6.9"
SPD-7	218/8.5	138/5.4	240/9.4	159/6.25	275/10.8	196/7.7	111/4.3	108/4.25	136/5.35	295/11.6	253/10	144/5.7 "
SPD-8	267/10.5	167/6.6	289/11.4	190/7.5	324/12.75	228/8.97	128.5/5	134/5.3	152.8/6	346/13.6	310/12.2	167/6.6"
SPD-12	332.5/13	227/9	354.5/14	244.5/9.5	392/15.5	286/11.3	170/6.7	109/4.3	145/5.7	410/16	369/14.5	167/6.6"



SCANSTRUT
INSTALLATION SOLUTIONS FOR MARINE ELECTRONICS™

Discover various marine electronics and navigation in our online store.