

**IMPORTANT**

Deck Pods are only compatible with marine electronics devices as stated in the latest Scanstrut Product guide – subject to change without prior notice.

Use with unapproved products, or overloading, invalidates any warranty.

No liability is accepted for damage caused by incorrect installation.

The installation and assembly must be regularly inspected for evidence of damage or loose parts.

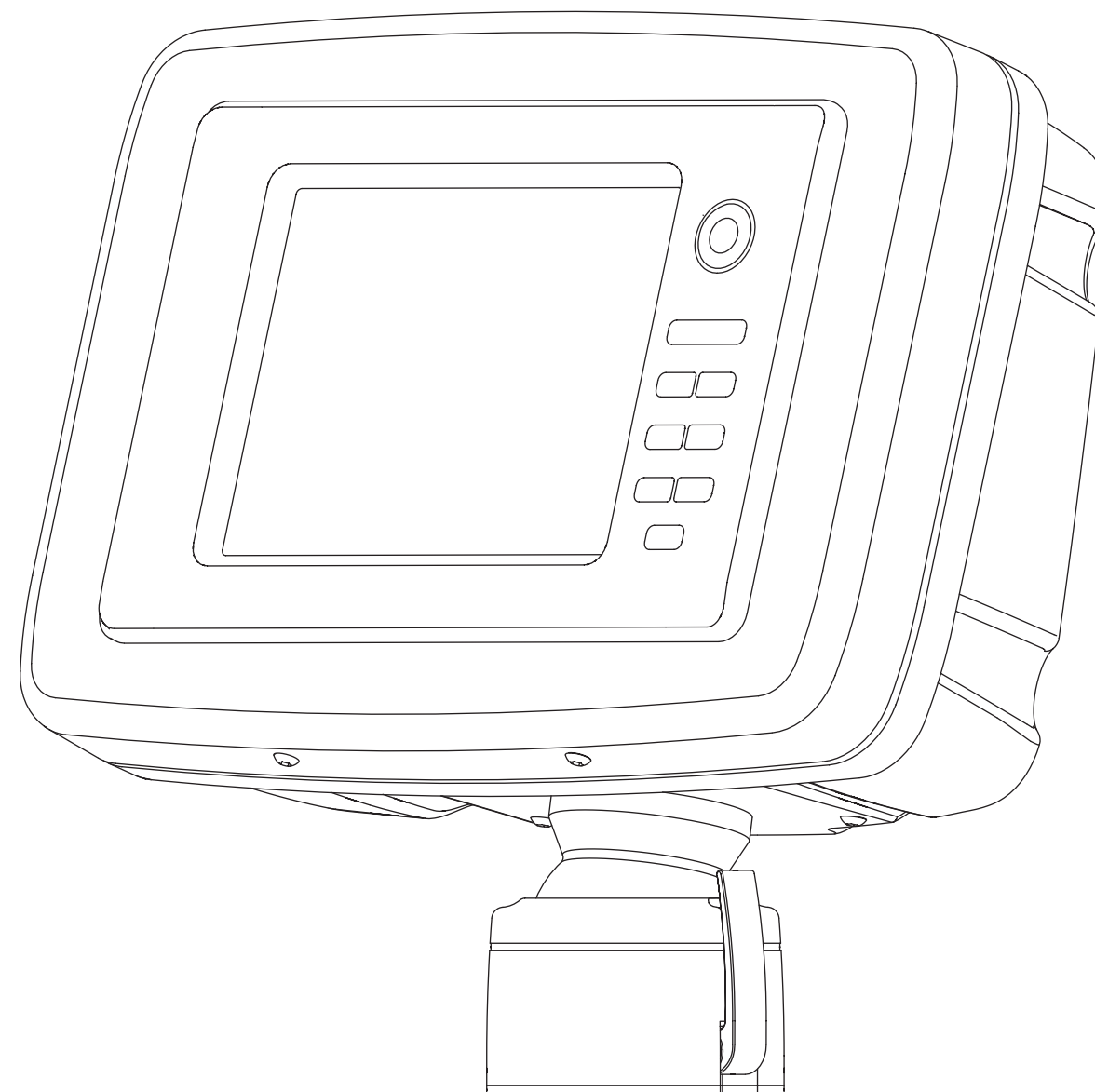
Product has been designed specifically for the mounting of approved marine electronics devices and used under normal boating conditions.

This product is designed to be fitted to a suitable surface, minimum  $\varnothing 100\text{mm}$ . Scanstrut does not supply fastenings to fix this product to the chosen surface. Please choose suitable fastenings for this purpose.

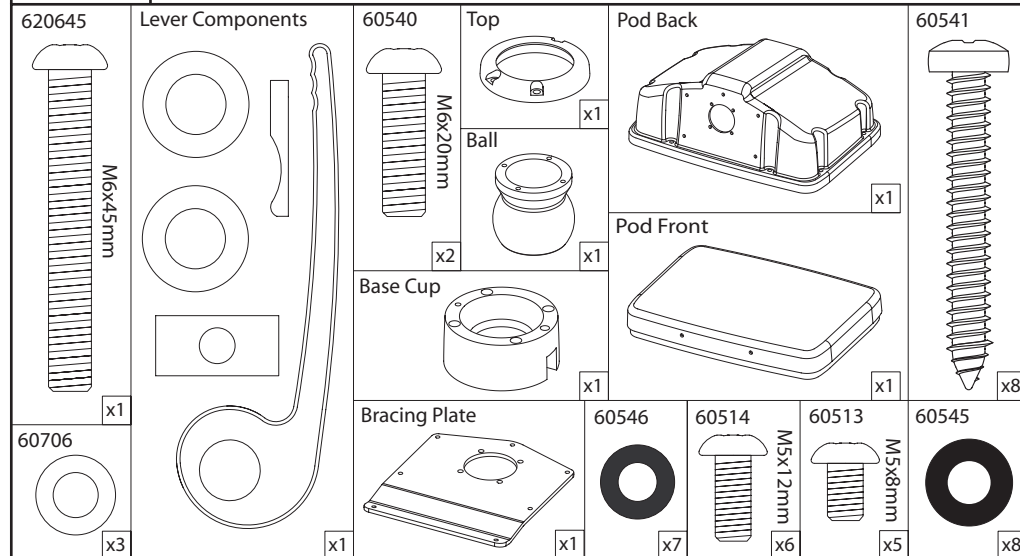
For installations that differ from those stated here, please consult Scanstrut head office.

# Scanstrut Scanpod Installation Instructions

## DECK POD



**Parts List**



**Tools Required**

