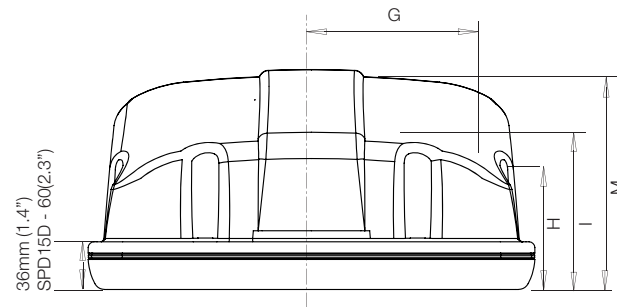
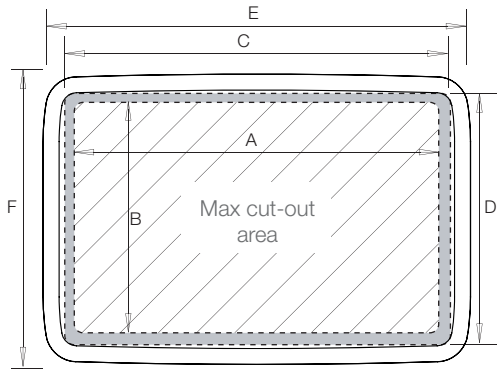
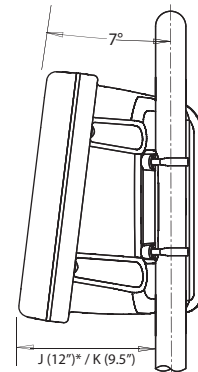
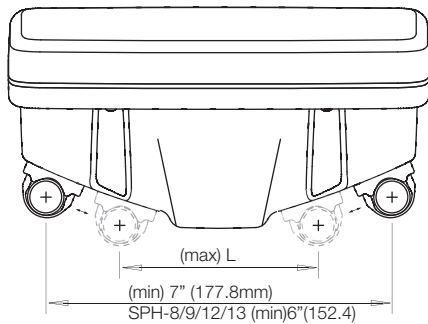


Helm Pod



	Maximum cut-out area		Maximum usable face		Overall dimensions	
	A mm / inches	B mm / inches	C mm / inches	D mm / inches	E mm / inches	F mm / inches
SPH-3i-W	368/14.5	118/4.65	390/15.35	140/5.5	432/17	181/7.1
SPH-4i-W	498/19.6	118/4.65	520/20.5	140/5.5	562/22.1	187/7.4
SPH-8-W	267/10.5	167/6.6	289/11.4	190/7.5	324/12.75	228/8.97
SPH-9-W	314/12.3	185/7.3	336/13.2	207/8.14	374/14.7	243/9.56
SPH-12-W	332.5/13	227/8.9	354.5/14	244.5/9.6	392/15.5	286/11.3
SPH-13-W	351/13.8	228/9.0	373/14.7	246/9.7	409/16.1	287/11.3
SPH-15D-W	423/16.7	333/13.1	424/16.7	349/13.7	482/19.0	396/15.6
SPH-SYSTEM-W	541/21.	274/10.	545/21.	289/11.	600/23.	336/13.



Pedestal Guard shown has 12" centres.

*For SPH-8/9 J=8" centres
For SPH-12/13 J=11" centres

	G	H	I	J	K	L	M
	mm / inches	mm / inches	mm / inches	mm / inches	mm / inches	mm / inches	mm / inches
SPH-3i-W	180/7.1	90/3.5	99/3.9	100/4	103/4.1	317/12.5	102/4.0"
SPH-4i-W	246/9.7	85/3.35	99/3.9	100/4	103/4.1	406/16	102/4.0
SPH-8-W	128.5/5	134/5.3	152.8/6	170/6.7	N/A	203/8	167/6.6"
SPH-9-W	150/5.9	111/4.4	145/5.7	152/6.0	165/6.5	304.8/12	167/6.6"
SPH-12-W	170/6.7	109/4.3	145/5.7	205/8.1	165/6.5	280/11	167/6.6"
SPH-13-W	169/6.5	140/5.5	145/5.7	186/7.3	192/7.6	304.8/12	167/6.6"
SPH-15D-W	199/7.8	104/4.1	145/5.7	176/6.9	185/7.3	381/15	175/6.9"
SPH-SYSTEM-W	252/9.9	143/5.6	163/6.4	205/8.1	207/8.1	381/15*	175/6.9"

* Will fit pedestal Guards with up to 466mm (18.35") centre to centre spacing but no drilling guide provided.



SCANSTRUT

Learn more about marine electronics and navigation on our website.