

**IMPORTANT**

Helm Pods are only compatible with marine electronics devices as stated in the latest Scanstrut Product Guide – subject to change without prior notice.

Use with unapproved products, or overloading, invalidates any warranty.

No liability is accepted for damage caused by incorrect installation.

The installation and assembly must be regularly inspected for evidence of damage or loose parts.

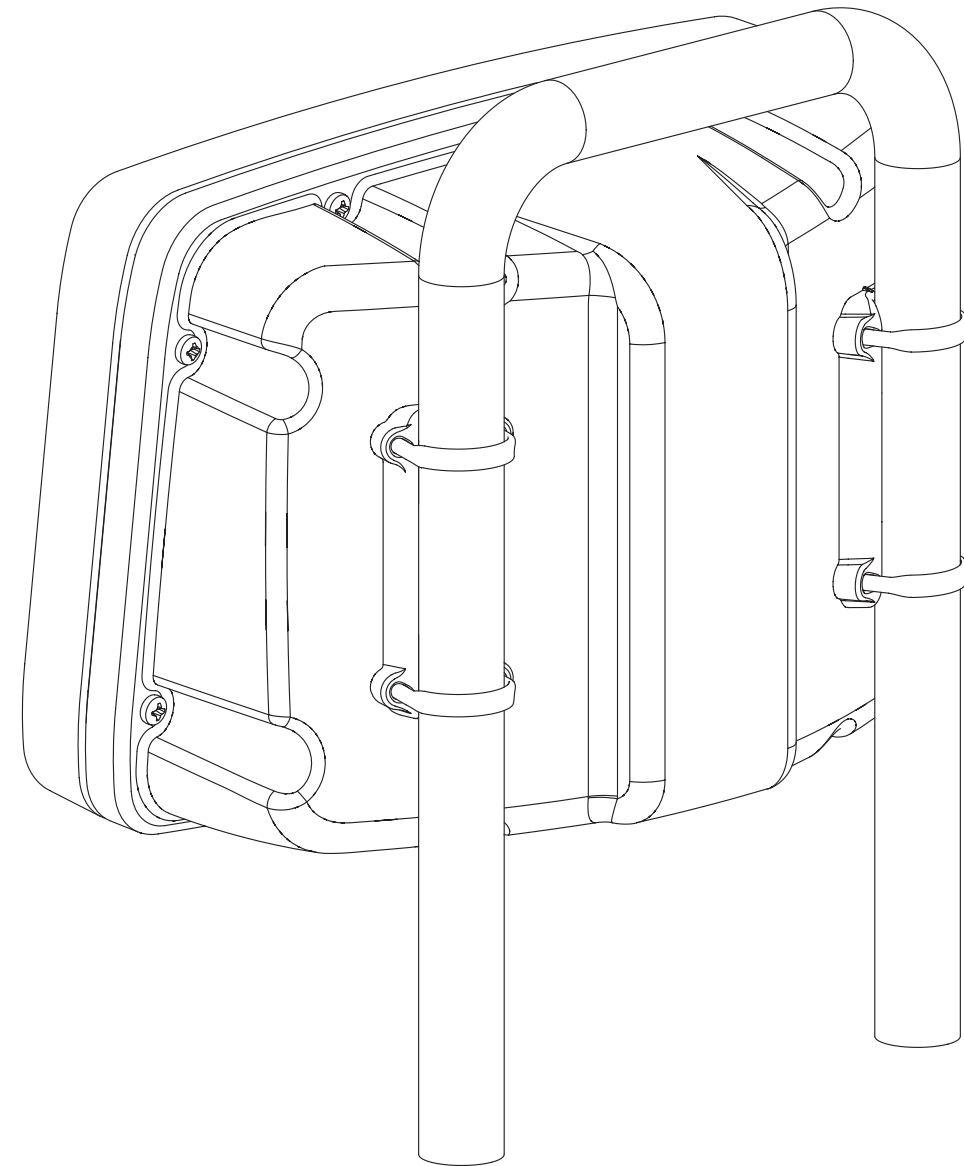
This product has been designed specifically for the mounting of approved marine electronics devices under normal boating conditions.

This product is designed to be fitted to pedestal guards manufactured from stainless steel tubing, Ø25-33.7mm [1" - 1.33"] with wall thicknesses of 1.5mm[1/16"] minimum.

For installations that differ from those stated here, please consult Scanstrut head office.

# Scanstrut Scanpod Installation Instructions

## HELM POD



**Parts List**

<b>Short Saddle Pack</b> SPH-8 60042 1x 190SPH3 1x 10SPSADDLE - S 1x 190SPH4 2x 60453 4x 60452 4x 60547	<b>x2</b> <b>Long Saddle Pack</b> SPH-12,15,SYSTEM 60043 2x 190SPH3 1x 10SPSADDLE - L 2x 190SPH4 3x 60453 6x 60452 6x 60547	<b>Pod Back</b> x1 60541 x8 60545 x8	<b>Pod Front</b> x1 60545 x8
---------------------------------------------------------------------------------------------------------------------------------	--------------------------------------------------------------------------------------------------------------------------------------------------------	-----------------------------------------------------	---------------------------------------

**Tools Required**

	Jigsaw/Spiral Saw
	Hole Saw ø25mm (1")
	Power drill
	Posidriv No. 3 Screwdriver
	Drill Bit ø9.5mm (3/8")
	Socket Wrench + Extension
	13mm Socket

SPH-8 used in all illustrations

