

IMPORTANT

Pods are only compatible with marine electronics devices as stated in the latest Scanstrut Product guide – subject to change without prior notice.

Use with unapproved products, or overloading, invalidates any warranty.

No liability is accepted for damage caused by incorrect installation.

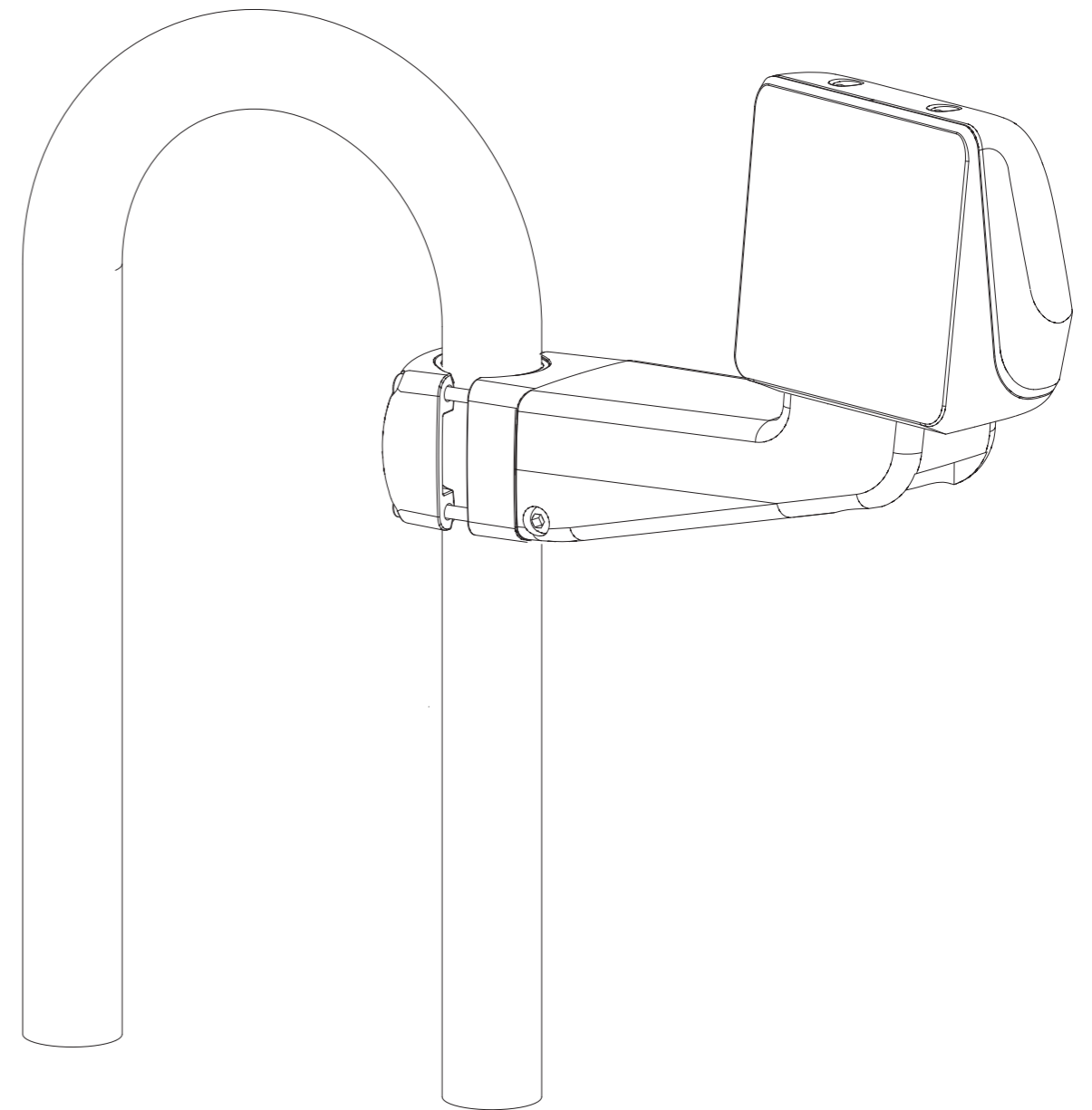
The installation and assembly must be regularly inspected for evidence of damage or loose parts.

Product has been designed specifically for the mounting of approved marine electronics devices and used under normal boating conditions.

For installations that differ from those stated here, please consult Scanstrut head office.

Scanstrut Scanpod Installation Instructions

SPR-1u-AM Uncut Instrument Arm Mount Helm Pod



Parts List

10SP-ARM	118111	620526	Blank front with seal fitted	60416	x2
619000	619001	178113	Back	60073	x1
60535	60536	190SPR-1	60087	60414	x1
60535	60536	190SPH-3	60702	60414	x4
60535	60536	190SPH-3	60702	60414	x4

Tools Required

	Hole Saw $\varnothing 20$ or 25mm (25/23" or 1")
	Power drill
	Drill Bit to suit instrument fixings
	Posidriv No. 3 Screwdriver
	2.5mm Allen Key
	Jigsaw/Spiral Saw

