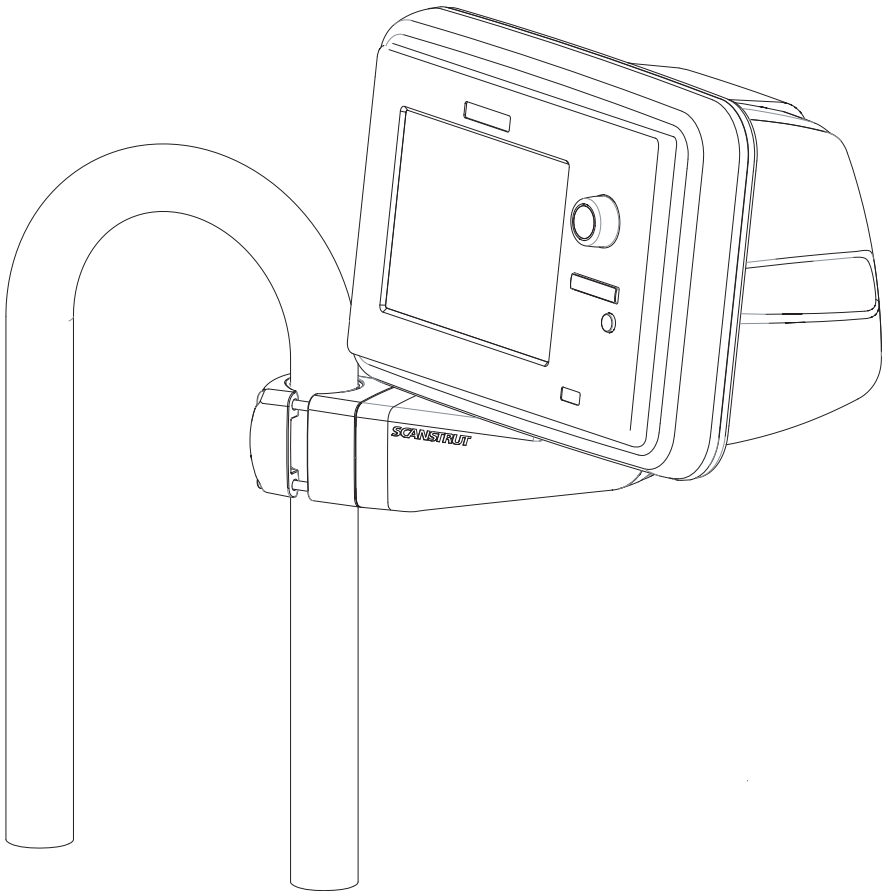
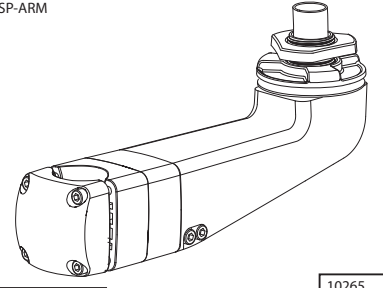
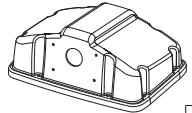

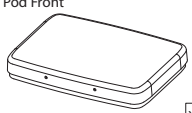




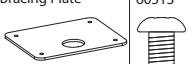



# Scanstrut Scanpod Installation Instructions


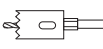

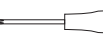


## SPR-7-AM / SPR-7S-AM/SPR-8-AM 7/8" Arm Mount Helm Pod



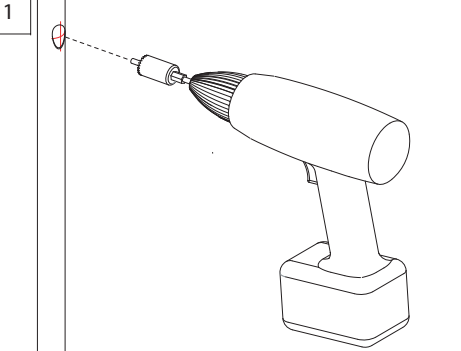
**Parts List**

<p>SP-ARM</p>  <p>190SPH-5</p>	<p>Pod Back</p>  <p>x1</p>	<p>60548 x6</p> 
<p>Pod Front</p>  <p>x1</p>	<p>60549</p> 	<p>60513 x6</p>  <p>60546 x4</p> 
<p>10265</p> 	<p>Bracing Plate</p>  <p>x1</p>	<p>60513 x4</p> 

**Tools Required**

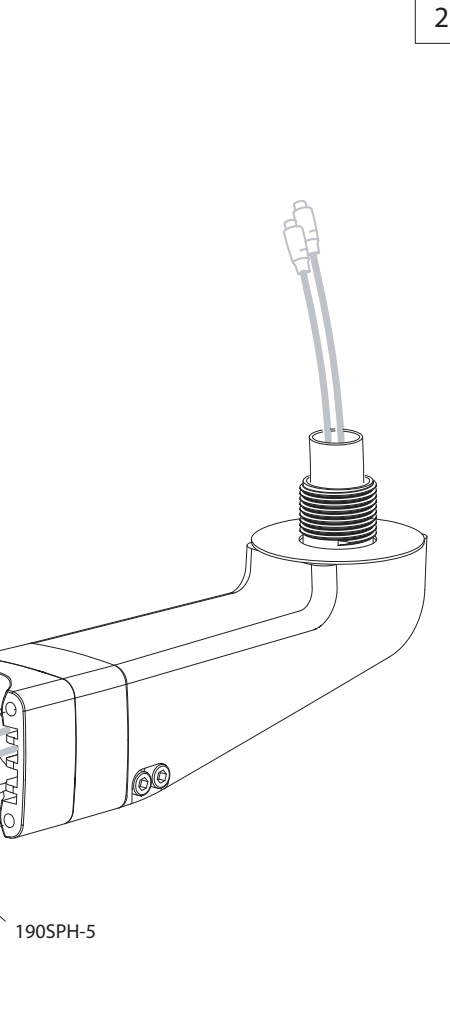
	<p>Jigsaw/Spiral Saw</p>
	<p>Hole Saw <math>\phi</math>20 or 25mm (25/32" or 1")</p>
	<p>Power drill</p>
	<p>Posidriv No. 3 Screwdriver</p>
	<p>4mm Allen Key</p>
	<p>3mm Allen Key</p>

1



For  $\phi$ 25mm (1") tube:  $\phi$ 20mm (25/32") hole saw  
 For  $\phi$ 32mm (1 1/4") tube:  $\phi$ 25mm (1") hole saw

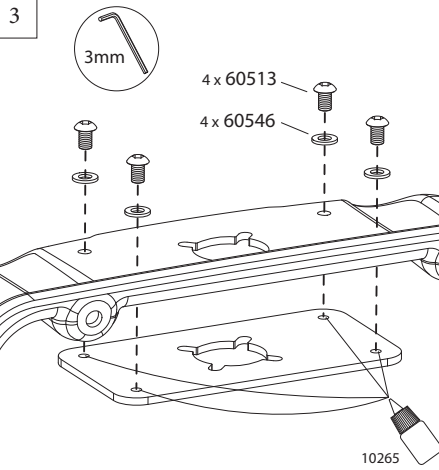
2



190SPH-5

4mm

3



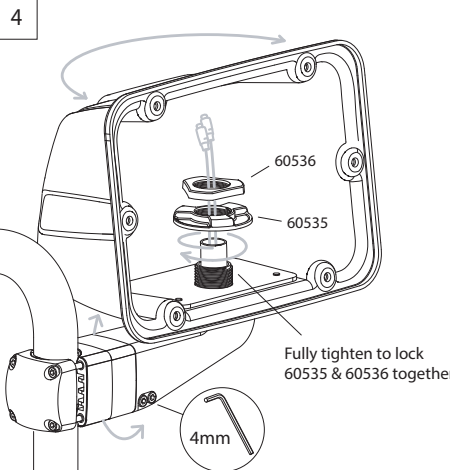
3mm

4 x 60513

4 x 60546

10265

4



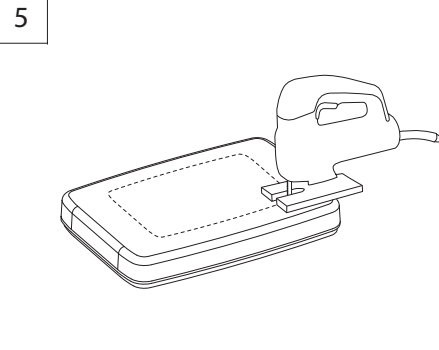
60536

60535

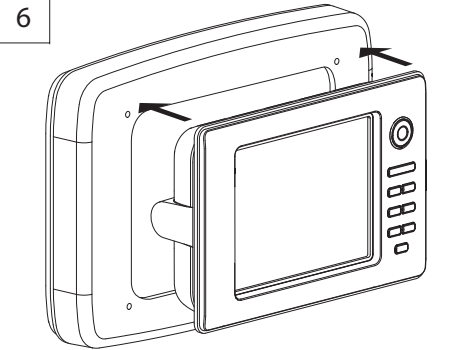
Fully tighten to lock 60535 & 60536 together

4mm

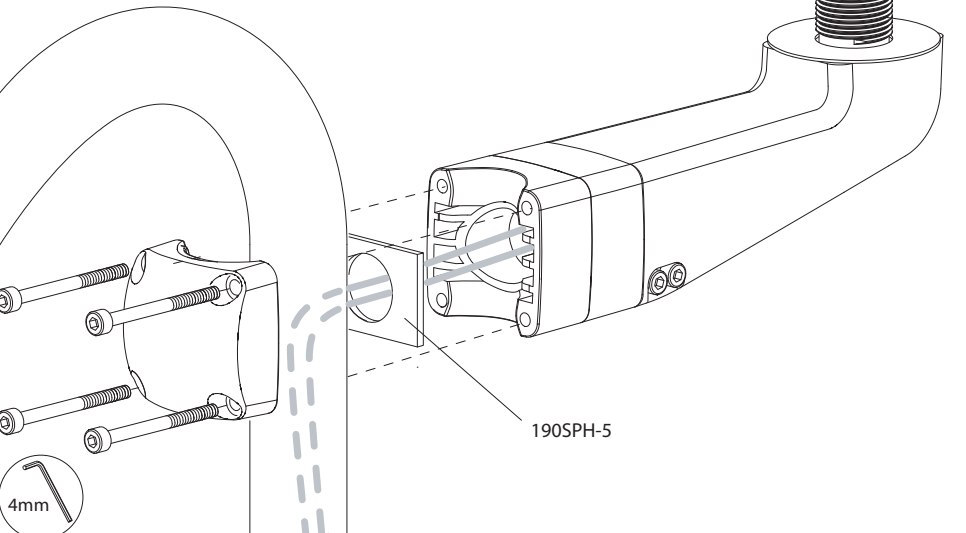
5



6



7

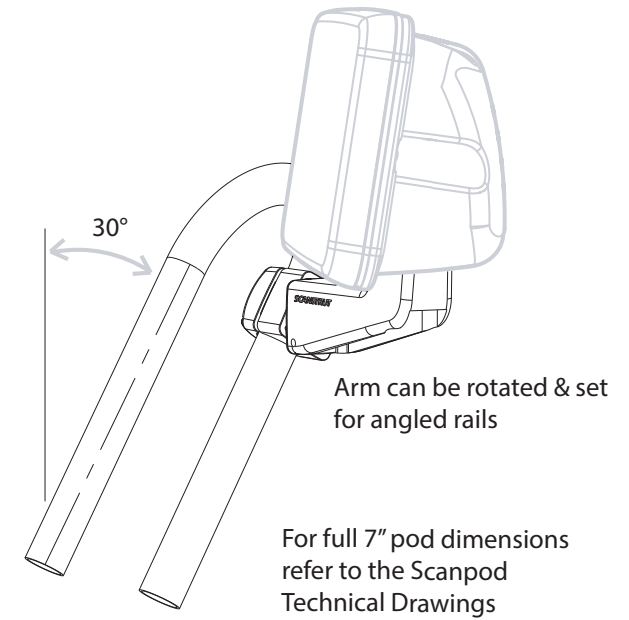
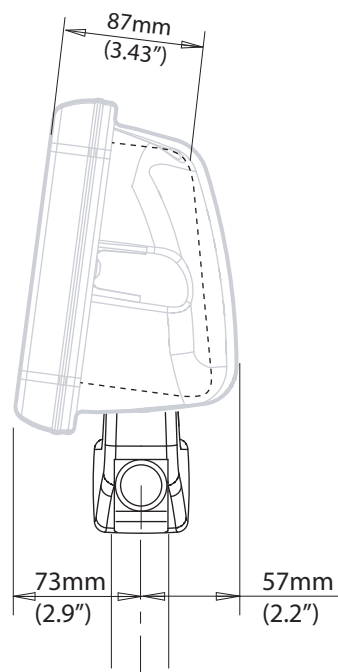
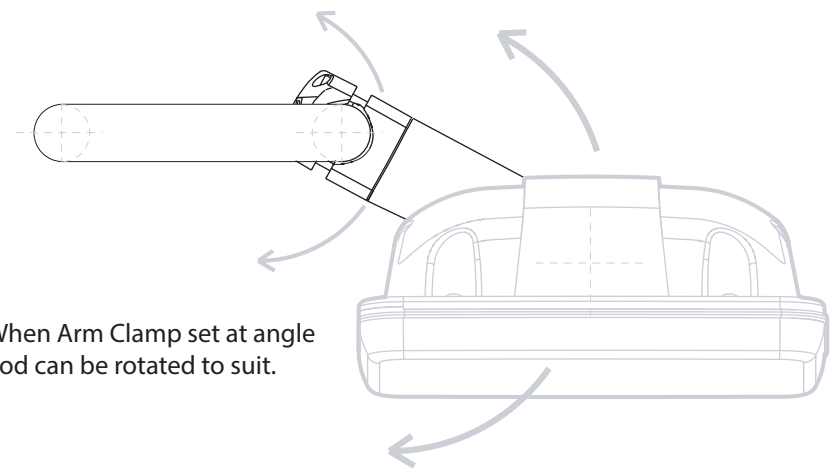
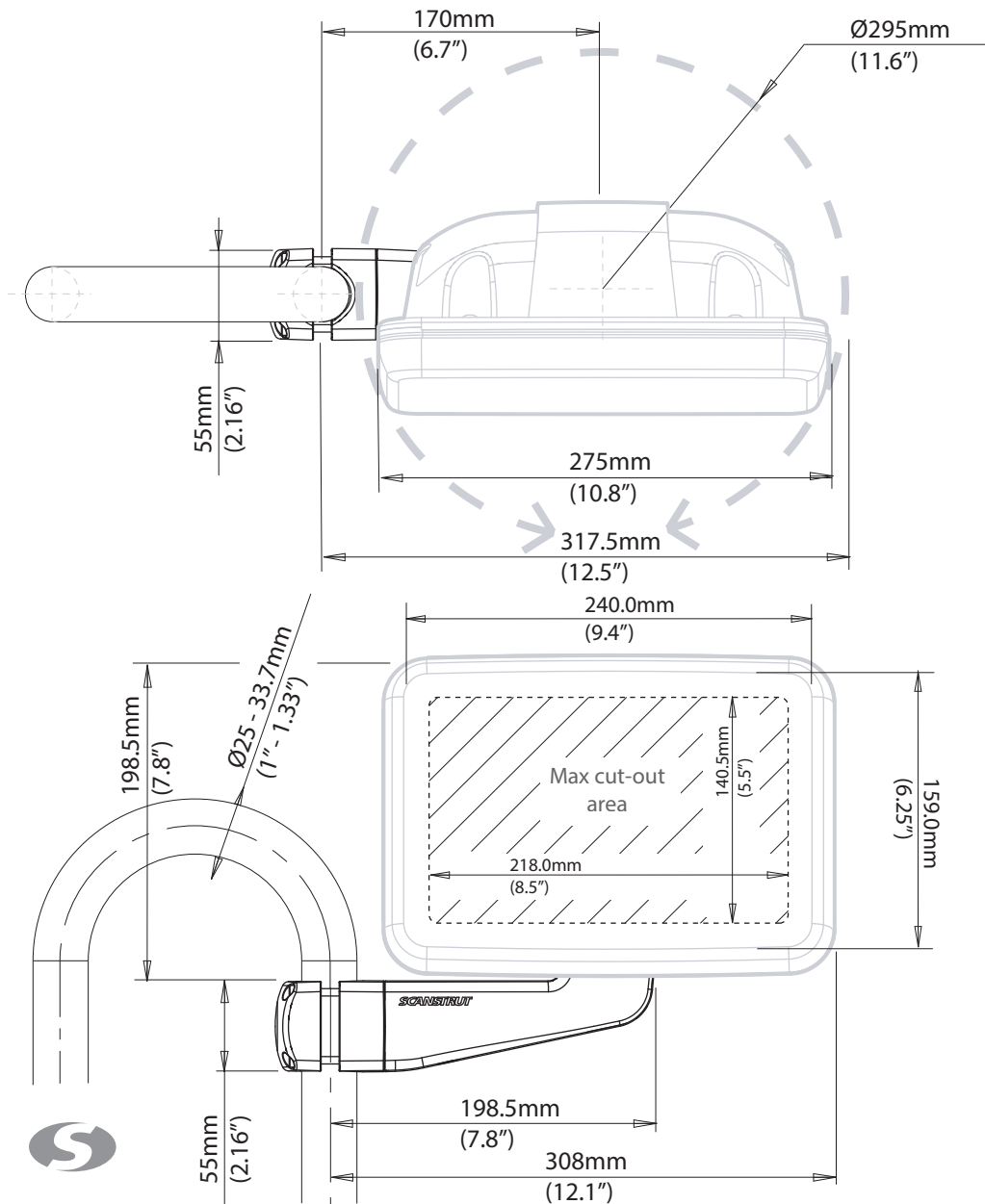


6 x 60549

6 x 60548

4mm

# Arm Mounted Pod - Ultra Compact - Up to 7" displays (SPR-7S-AM)



**SCANSTRUT**