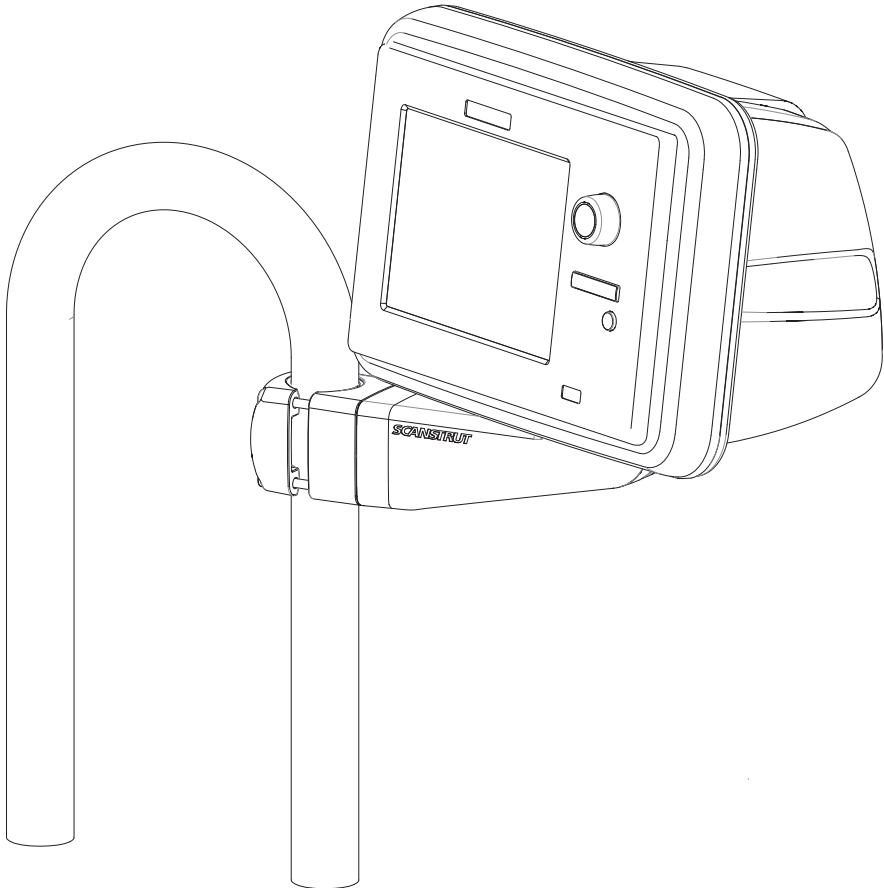
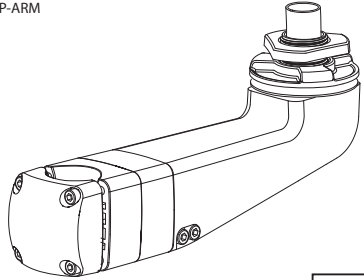
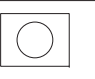
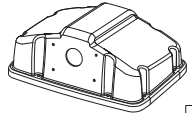




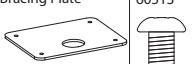
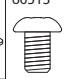



# Scanstrut Scanpod Installation Instructions

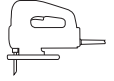


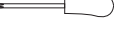


## SPR-7-AM / SPR-7S-AM/SPR-8-AM 7/8" Arm Mount Helm Pod



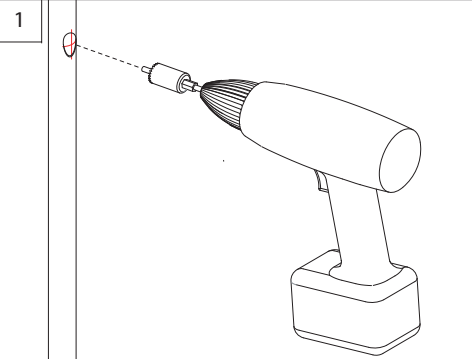
**Parts List**

 SP-ARM  190SPH-5	Pod Back  x1	60548 x6 
	Pod Front  x1	60549 x6 
10265 	Bracing Plate  x1	60513 x6 
		60546 x4 

**Tools Required**

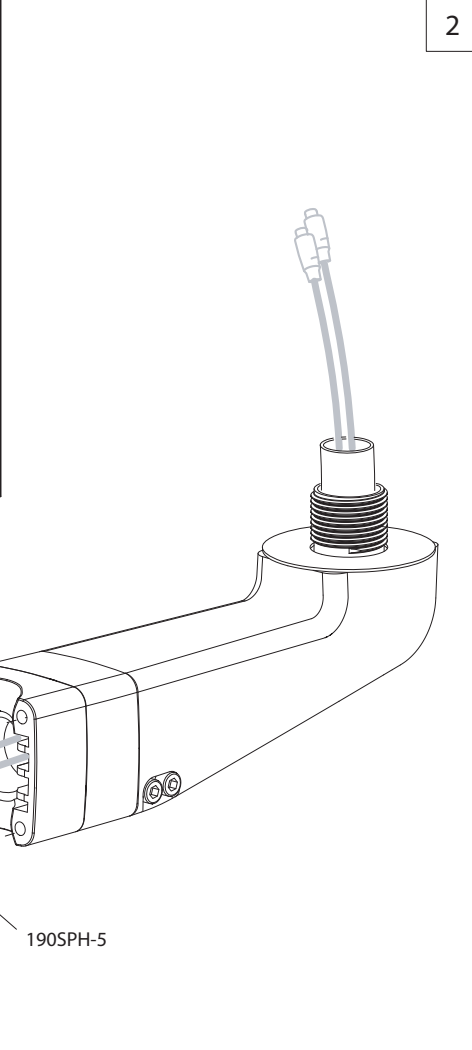
	Jigsaw/Spiral Saw
	Hole Saw $\phi 20$ or 25mm (25/32" or 1")
	Power drill
	Posidriv No. 3 Screwdriver
	4mm Allen Key
	3mm Allen Key

1



For  $\phi 25\text{mm}$  (1") tube:  $\phi 20\text{mm}$  (25/32") hole saw  
 For  $\phi 32\text{mm}$  (1 1/4") tube:  $\phi 25\text{mm}$  (1") hole saw

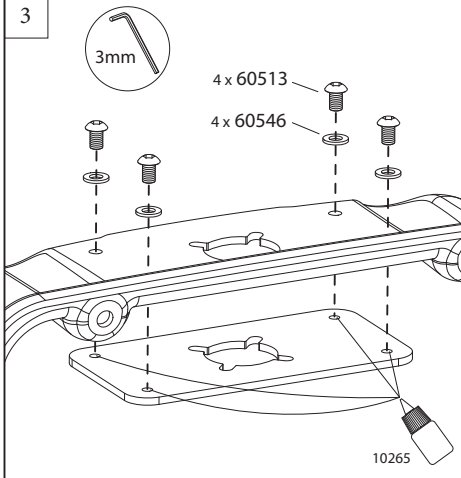
2



190SPH-5

4mm

3



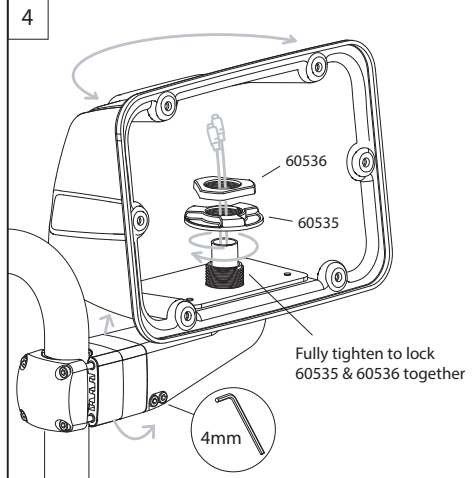
3mm

4 x 60513

4 x 60546

10265

4



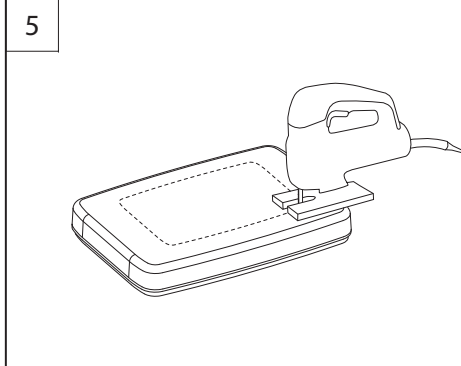
60536

60535

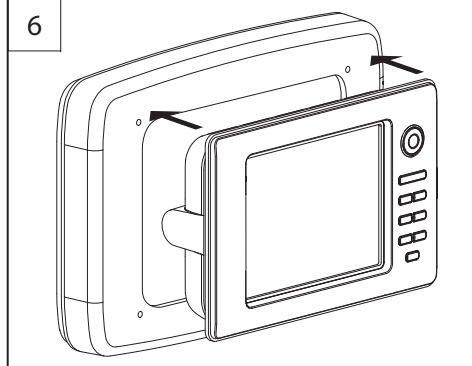
Fully tighten to lock 60535 & 60536 together

4mm

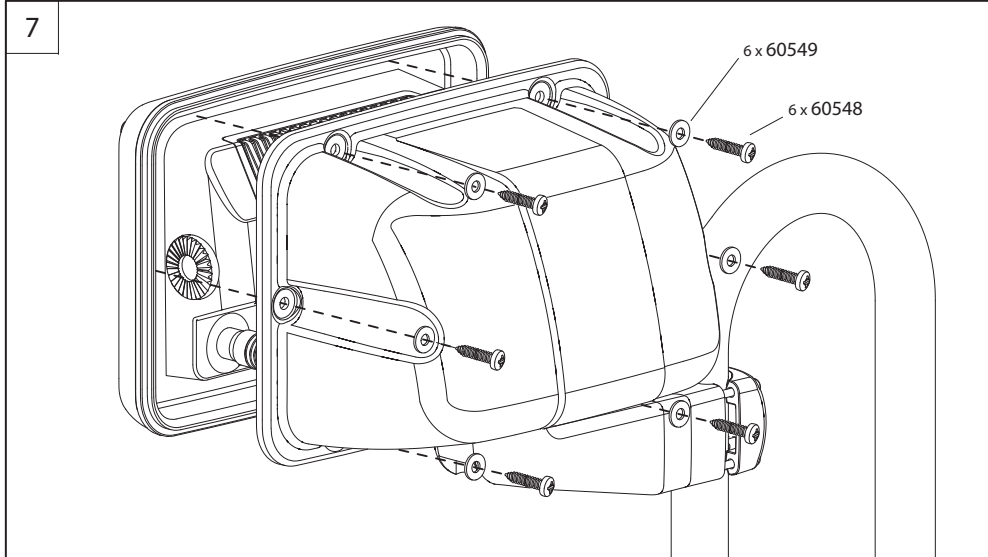
5



6



7

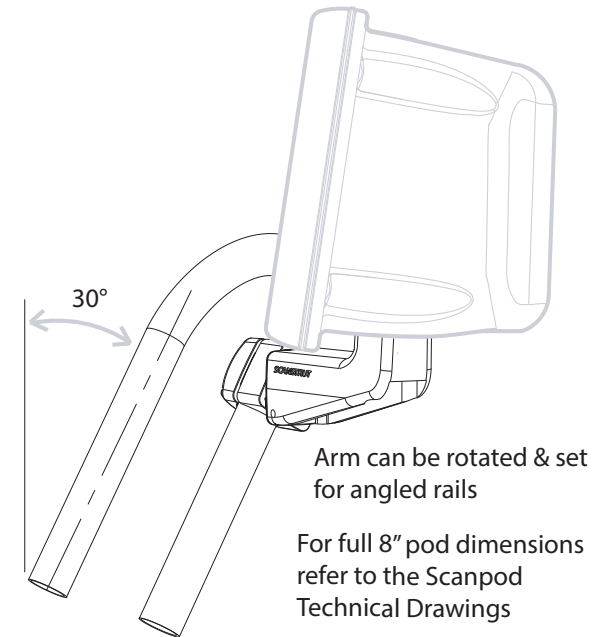
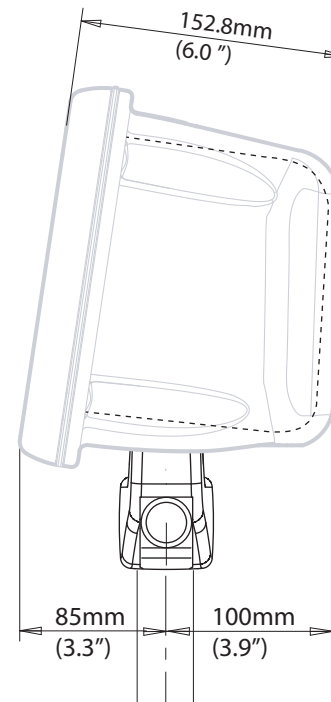
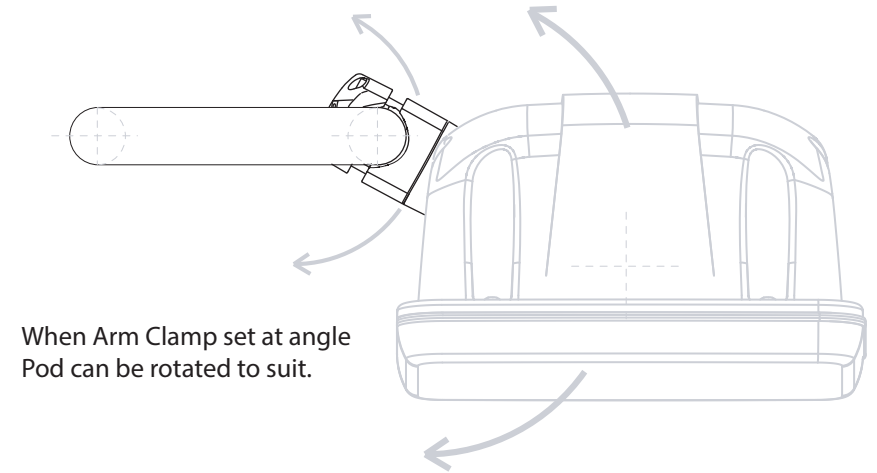
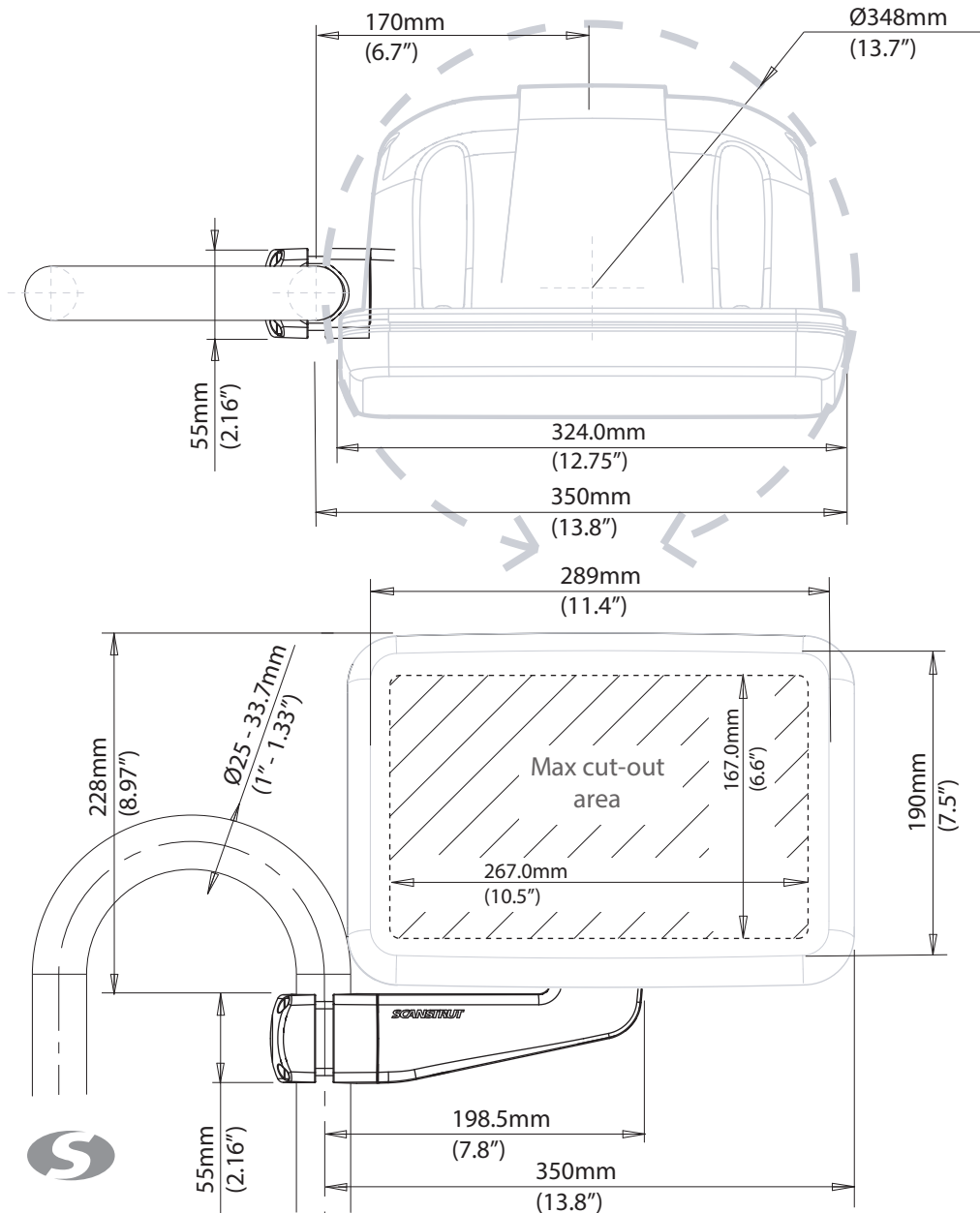


6 x 60549

6 x 60548

# 8" Helm Pod Arm Mount - SPR-8-AM

For help & information  
 email: sales@scanstrut.com  
 tel: +44 (0) 1392 531280



**SCANSTRUT**