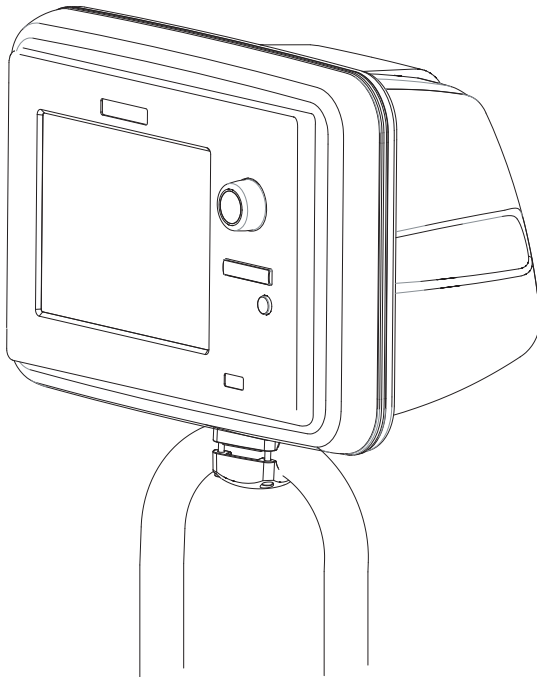
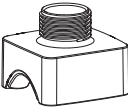


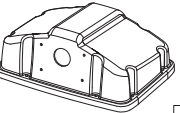






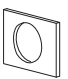
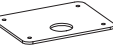




Scanstrut Scanpod Installation Instructions

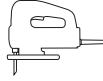
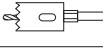

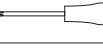

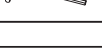
SPR-7-RM / SPR-7S-RM / SPR-8-RM 7/8" Rail Mount Helm Pod

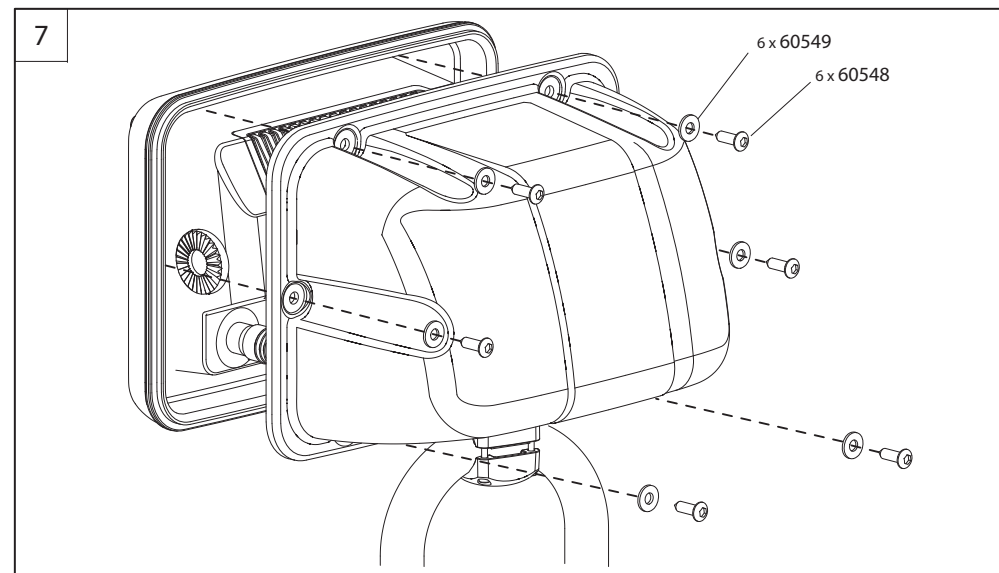
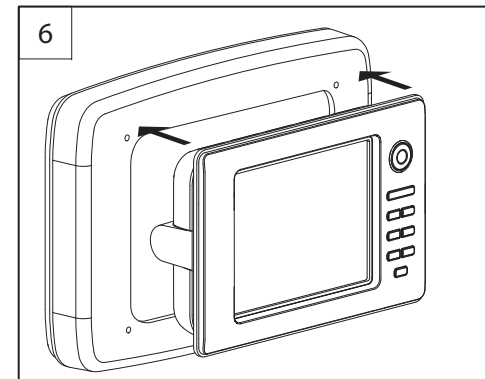
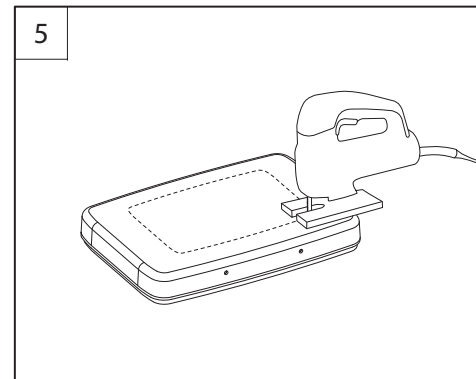
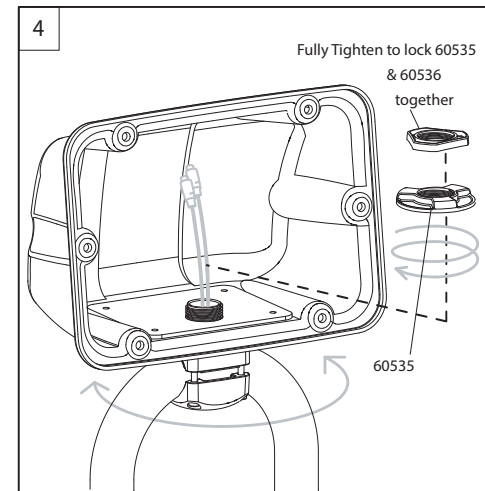
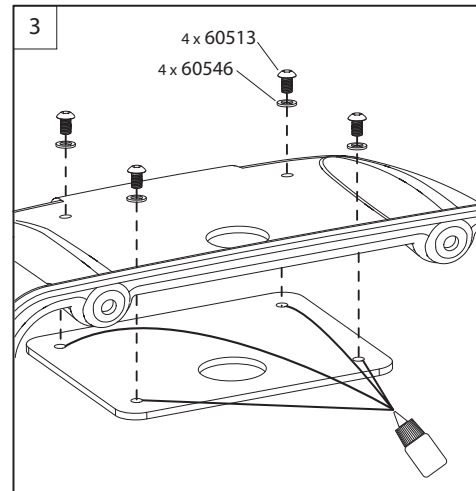
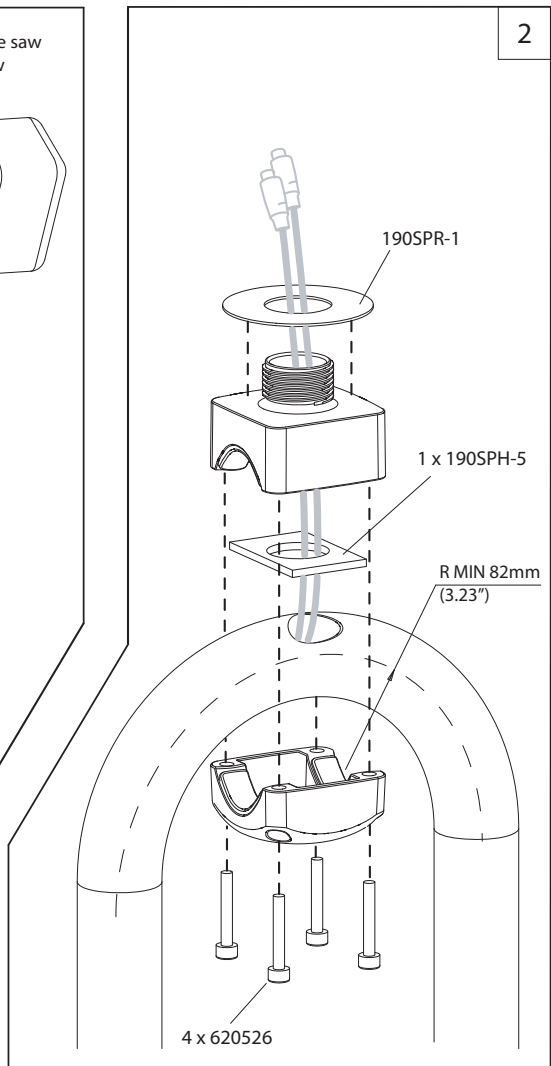
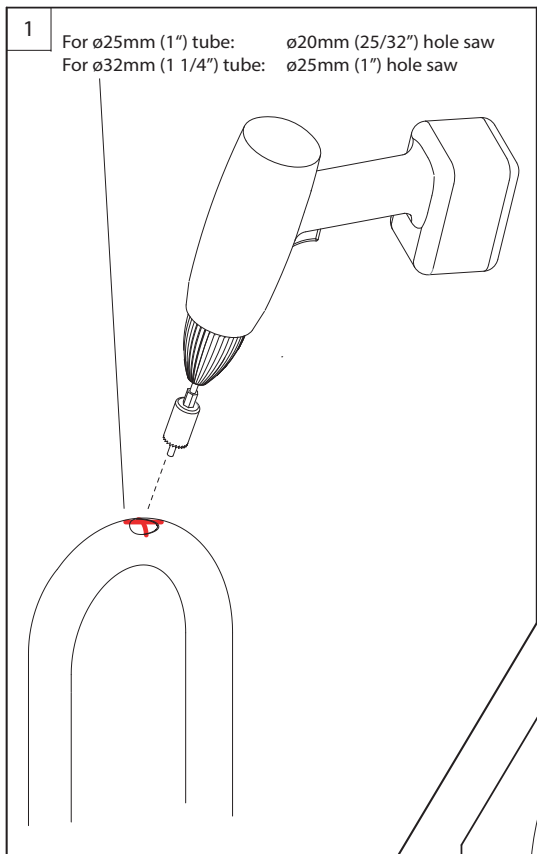


Parts List

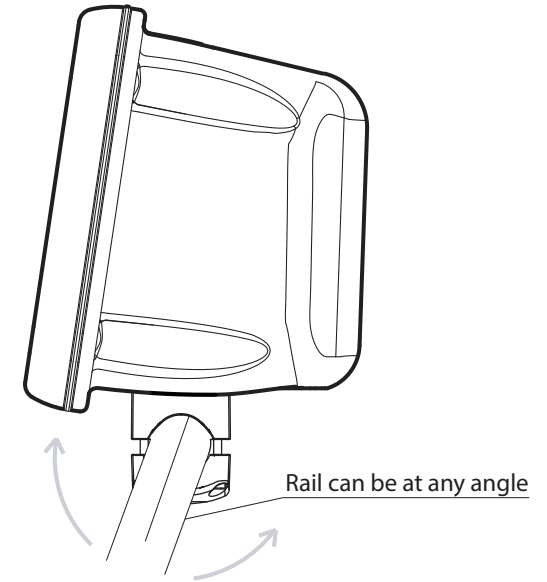
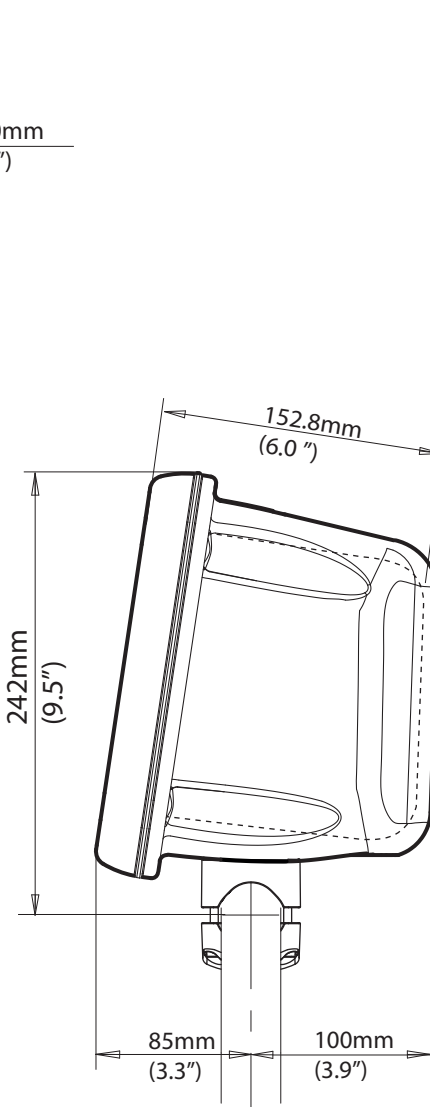
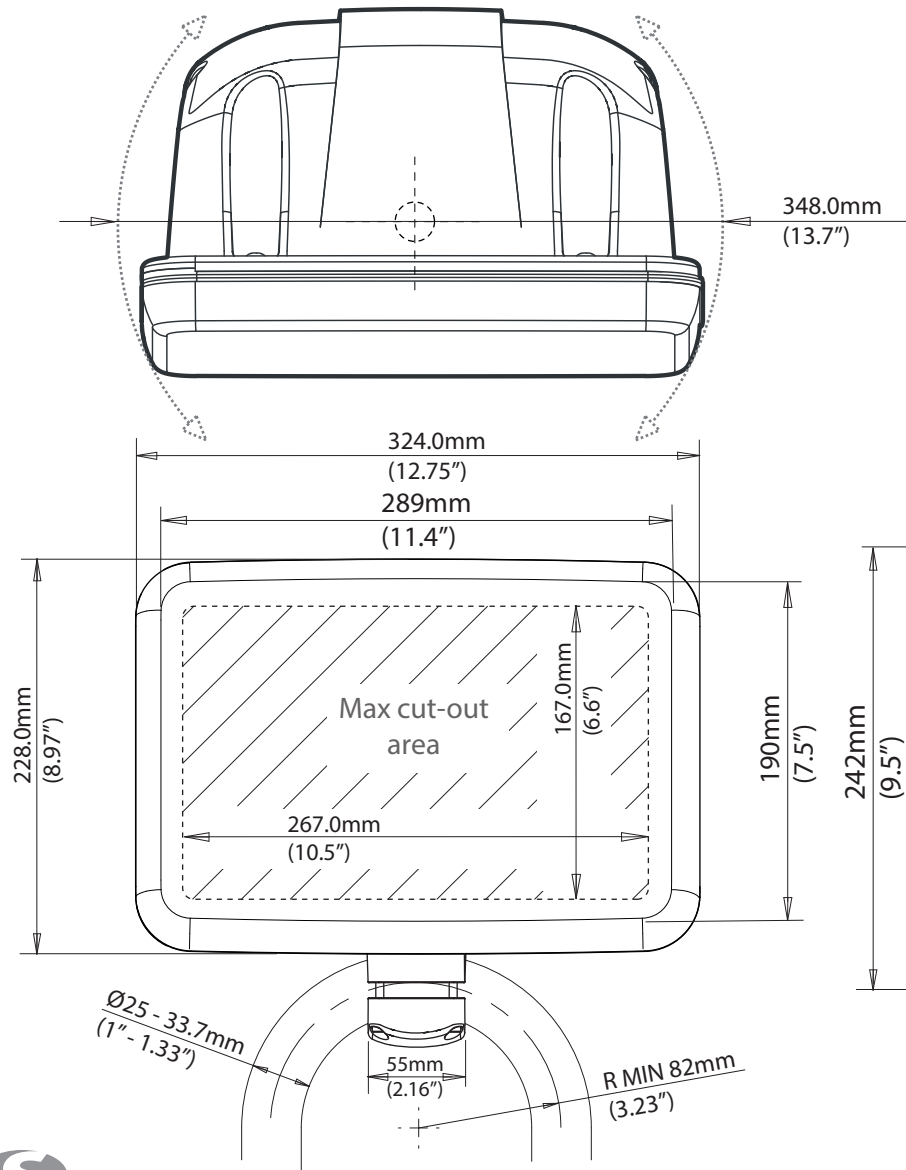
108111  x1	178113  x1	620526  x4	Pod Back  x1	60548 x6 
60535  x1	190SPR-1  x1	Pod Front  x1	60546 x4 	
60536  x1	190SPH-5  x1	Bracing Plate  x1	60513 x4 	60549 x6 

Tools Required

	Jigsaw/Spiral Saw
	Hole Saw $\varnothing 20$ or 25mm ($25/23"$ or $1"$)
	Power drill
	Posidriv No. 3 Screwdriver
	4mm Allen Key
	3mm Allen Key



8" Rail Pod - Rail Mount (SPR-8-RM)



For further 8" pod dimensions please refer to the Scanpod Deck pod Technical drawings.

