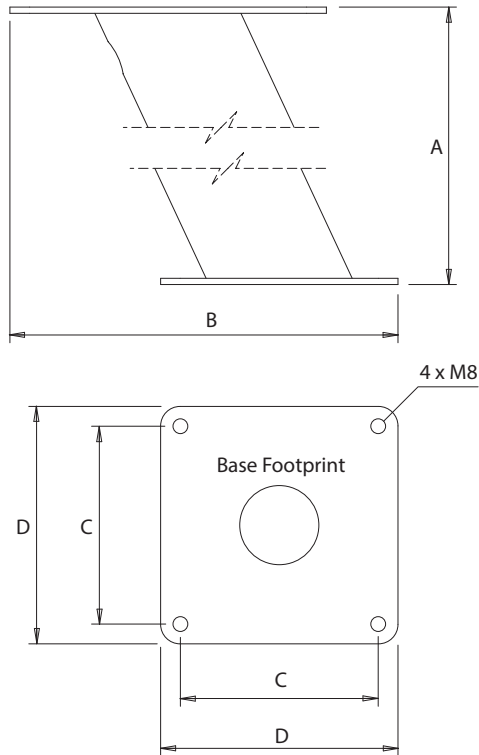


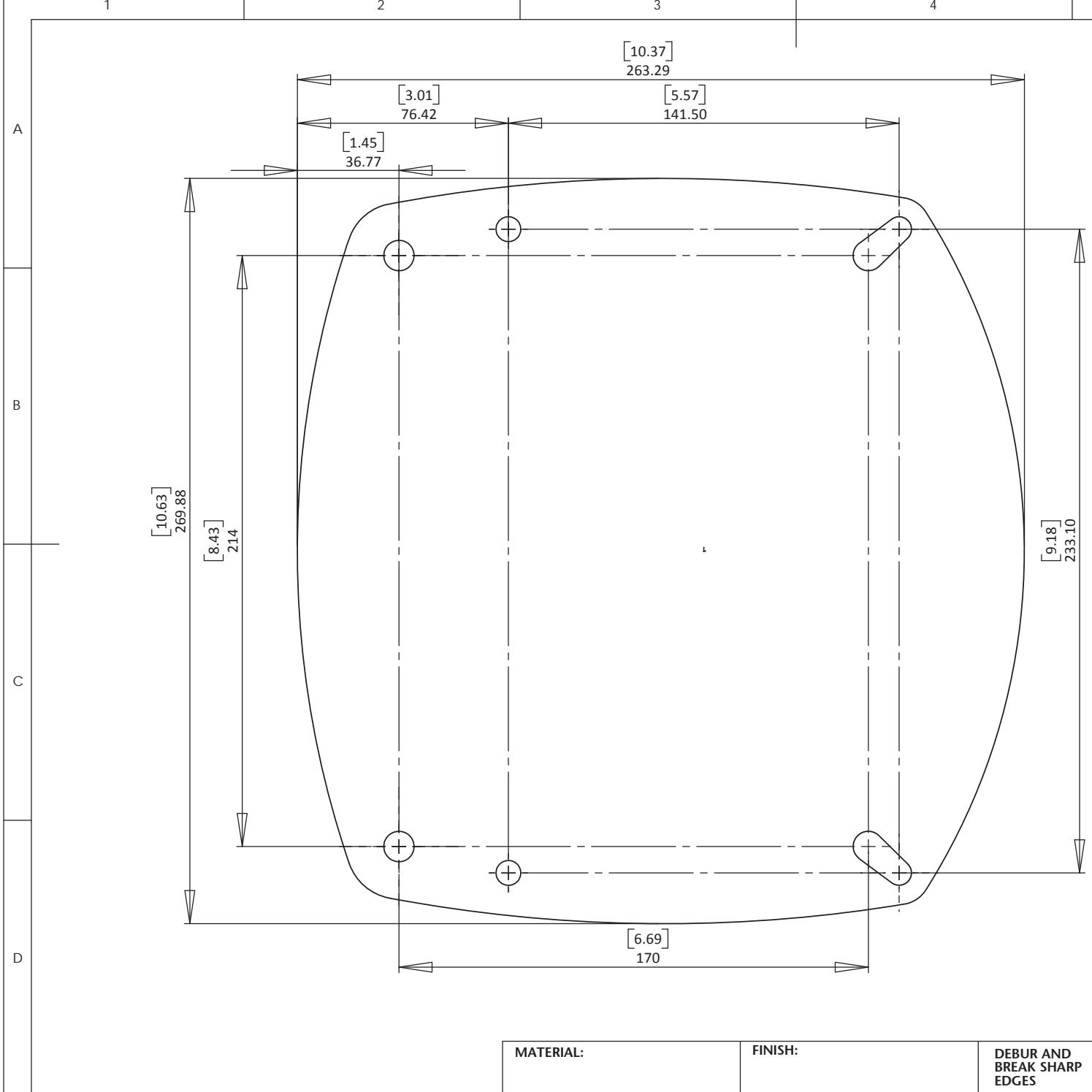
Stainless PowerTower®



	A mm / inches	B mm / inches	C mm / inches	D mm / inches
SPT1001	152/6	238/9.3	127/5	152/6
SPT1002	152/6	245/9.6	127/5	152/6
SPT1004	152/6	270/10.6	152/6	203/8
SPT1005	152/6	295/11.6	152/6	203/8

All SPT's are 25° aft leaning



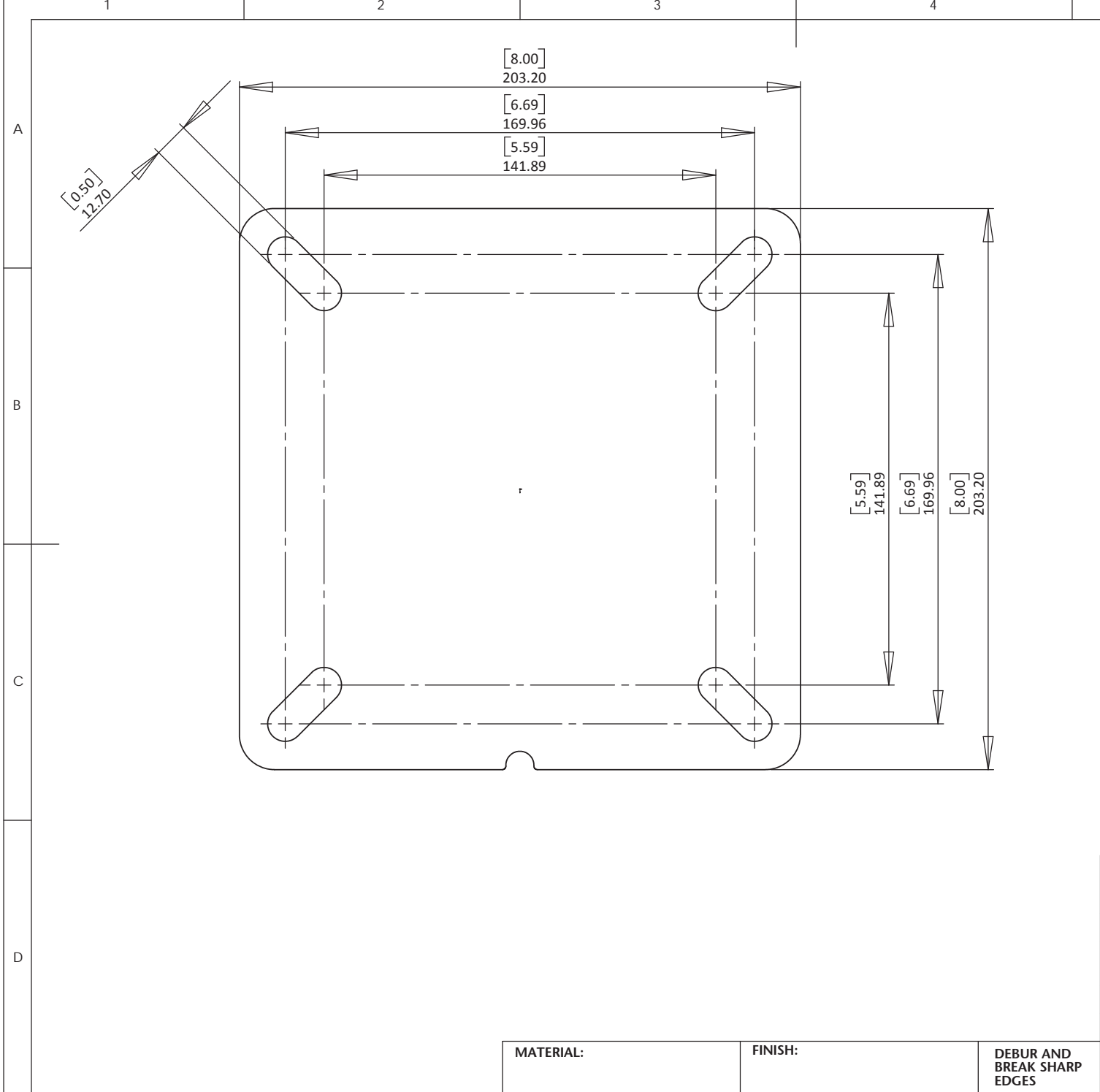


ZONE REV.		REVISIONS	
		DESCRIPTION	DATE

PLEASE NOTE:
ALL COMPOSITE POWERTOWERS ARE NOT PRE-DRILLED

SCANSTRUT DESIGN COPYRIGHT OF SCANSTRUT LTD		
SCALE:1:2	A4	DO NOT SCALE DRAWING
UNLESS OTHERWISE SPECIFIED: DIMENSIONS ARE IN MILLIMETERS		GENERAL TOLERANCES: ± 0.1 UNLESS OTHERWISE STATED. IF IN DOUBT PLEASE ASK
TITLE:		-1 Radar Mount Plate
PART NO.	REVISION	
DRAWN	JF	DATE

MATERIAL:	FINISH:	DEBUR AND BREAK SHARP EDGES
-----------	---------	-----------------------------------



		REVISIONS	
ZONE	REV.	DESCRIPTION	DATE

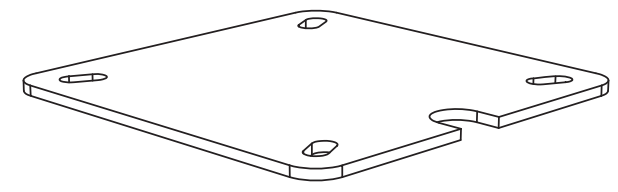
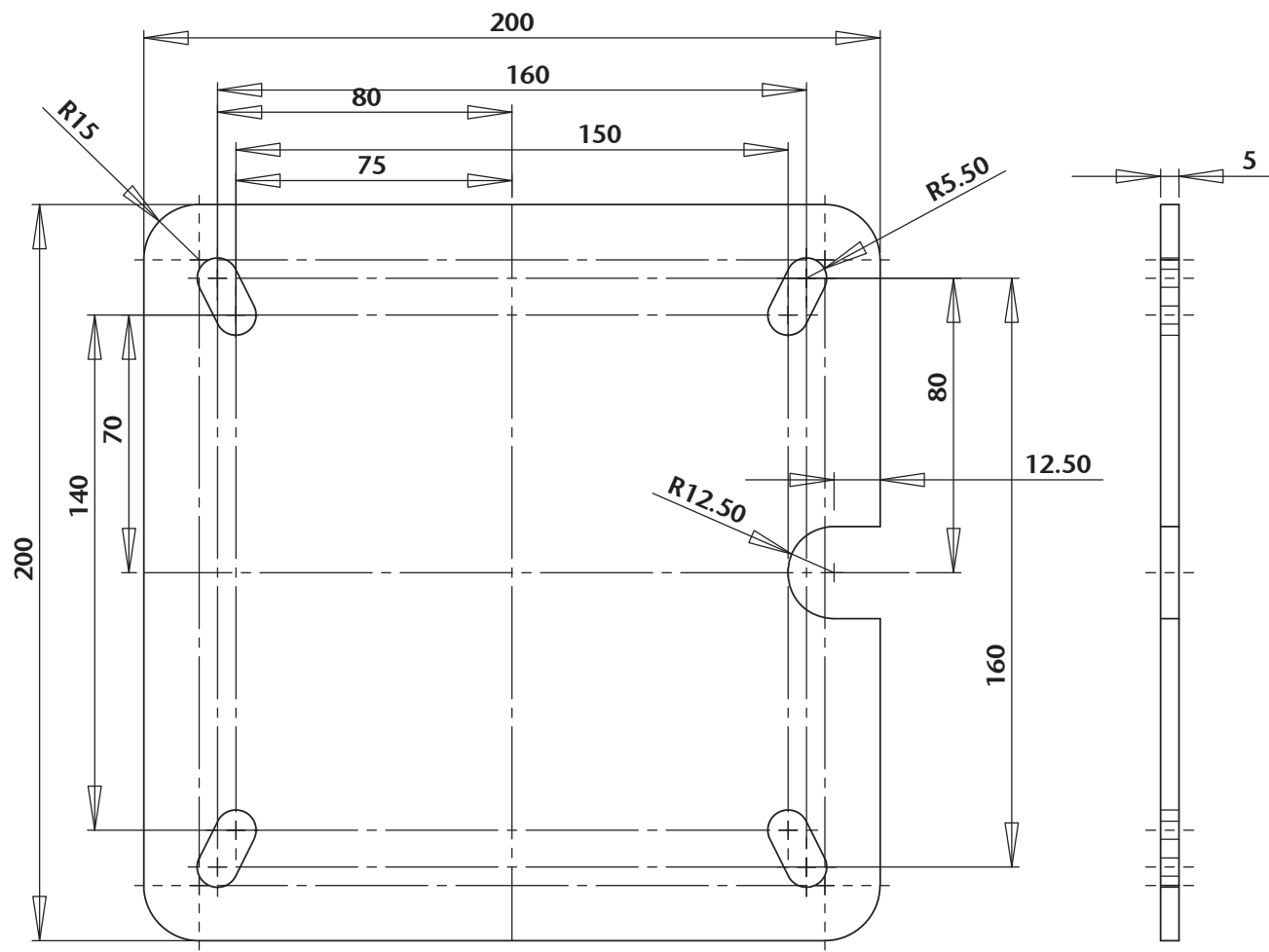
PLEASE NOTE:
ALL COMPOSITE POWERTOWERS ARE NOT PRE-DRILLED

SCANSTRUT DESIGN COPYRIGHT OF SCANSTRUT LTD	
SCALE:1:2	A4 DO NOT SCALE DRAWING
UNLESS OTHERWISE SPECIFIED: DIMENSIONS ARE IN MILLIMETERS	GENERAL TOLERANCES: ±0.1 UNLESS OTHERWISE STATED. IF IN DOUBT PLEASE ASK
TITLE: -2 Radar Mount Plate	
PART NO.	REVISION
DRAWN	DATE

MATERIAL:	FINISH:	DEBUR AND BREAK SHARP EDGES
-----------	---------	-----------------------------------

1 2 3 4 5 6

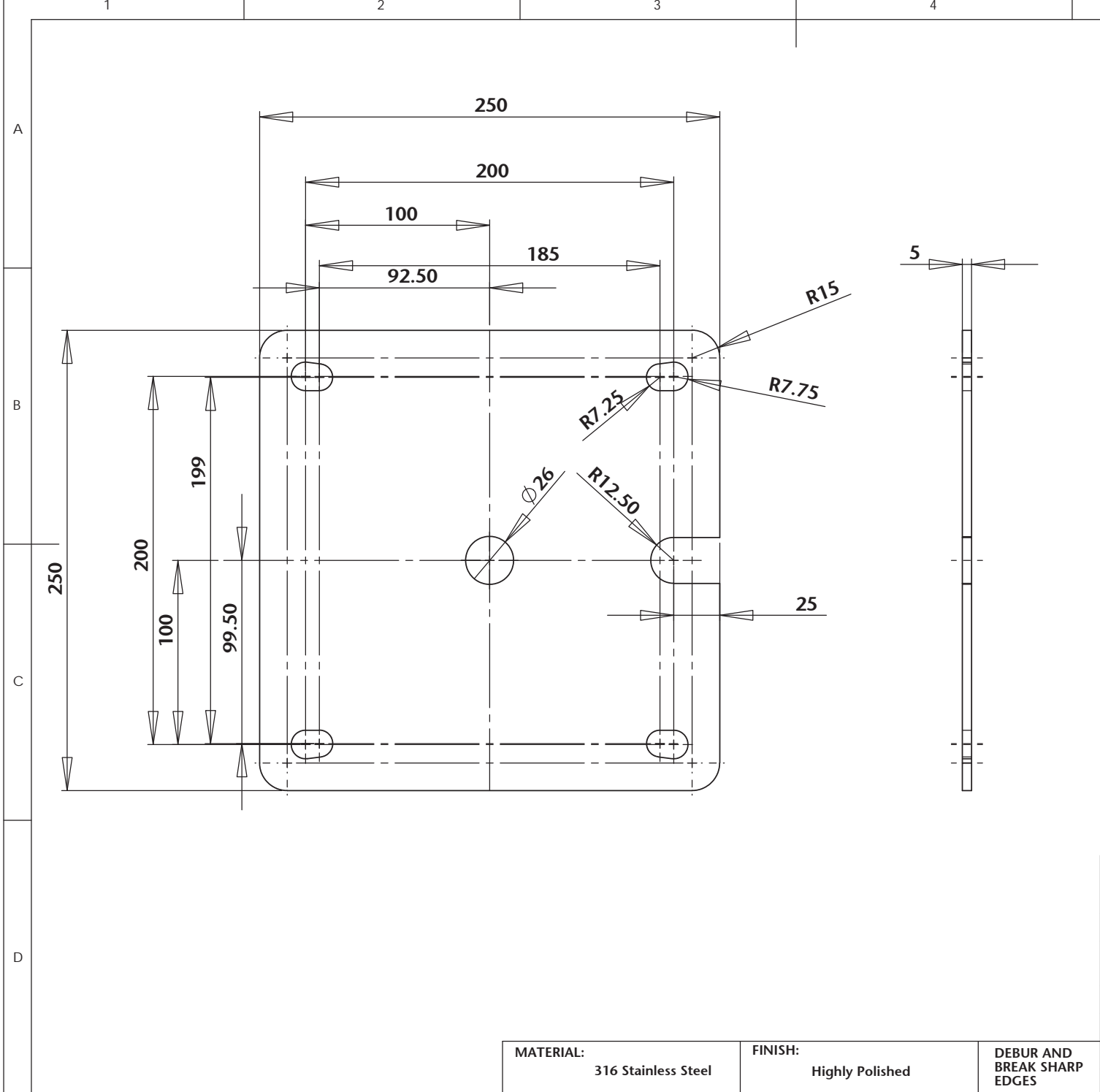
REVISIONS				
ZONE	REV.	DESCRIPTION	DATE	APPROVED
	1.	New Drawing Release	6-10-06	JF



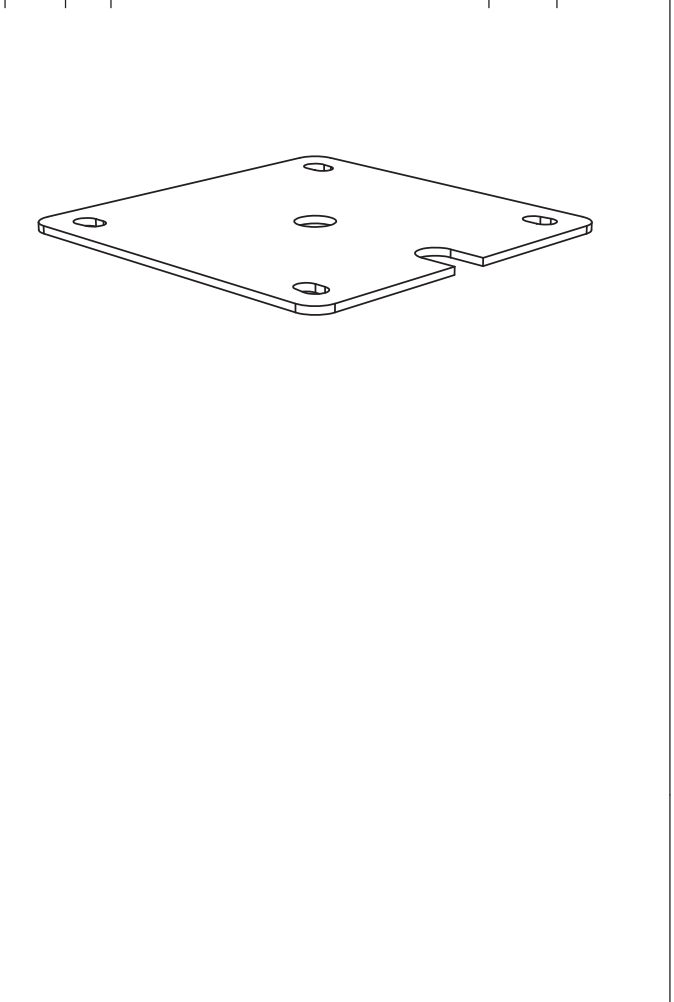
A
B
C
D

SCANSTRUT DESIGN COPYRIGHT OF SCANSTRUT LTD			
SCALE:1:2		A4	DO NOT SCALE DRAWING
UNLESS OTHERWISE SPECIFIED: DIMENSIONS ARE IN MILLIMETERS		GENERAL TOLERANCES: ±0.1 UNLESS OTHERWISE STATED. IF IN DOUBT PLEASE ASK	
TITLE: SPT1004 Top Plate			
PART NO.	xxxxxx	REVISION	1
DRAWN	xxxxxx	DATE	xxxxxx

MATERIAL: 316 Stainless Steel	FINISH: Highly Polished Stainless Steel	DEBUR AND BREAK SHARP EDGES
----------------------------------	--	-----------------------------------



REVISIONS				
ZONE	REV.	DESCRIPTION	DATE	APPROVED
	1.	New Drawing Release	6-10-06	JF



SCANSTRUT DESIGN COPYRIGHT OF SCANSTRUT LTD			
SCALE:1:3	A4	DO NOT SCALE DRAWING	
UNLESS OTHERWISE SPECIFIED: DIMENSIONS ARE IN MILLIMETERS		GENERAL TOLERANCES: ±0.1 UNLESS OTHERWISE STATED. IF IN DOUBT PLEASE ASK	
TITLE: SPT1005 - Top Plate			
PART NO.	xxxxxx	REVISION	1
DRAWN	xxxxxx	DATE	xxxxxx

MATERIAL: 316 Stainless Steel	FINISH: Highly Polished	DEBUR AND BREAK SHARP EDGES
----------------------------------	----------------------------	-----------------------------------