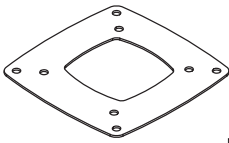
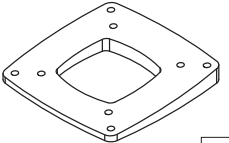


Installation Instructions


19-07-2021 (Issue 2)

WD-OPNARY-01





Parts List

<p>Base Seal</p>  <p>19025 1</p>	<p>Wedge</p>  <p>17225 1</p>
--	--

Optional Extra

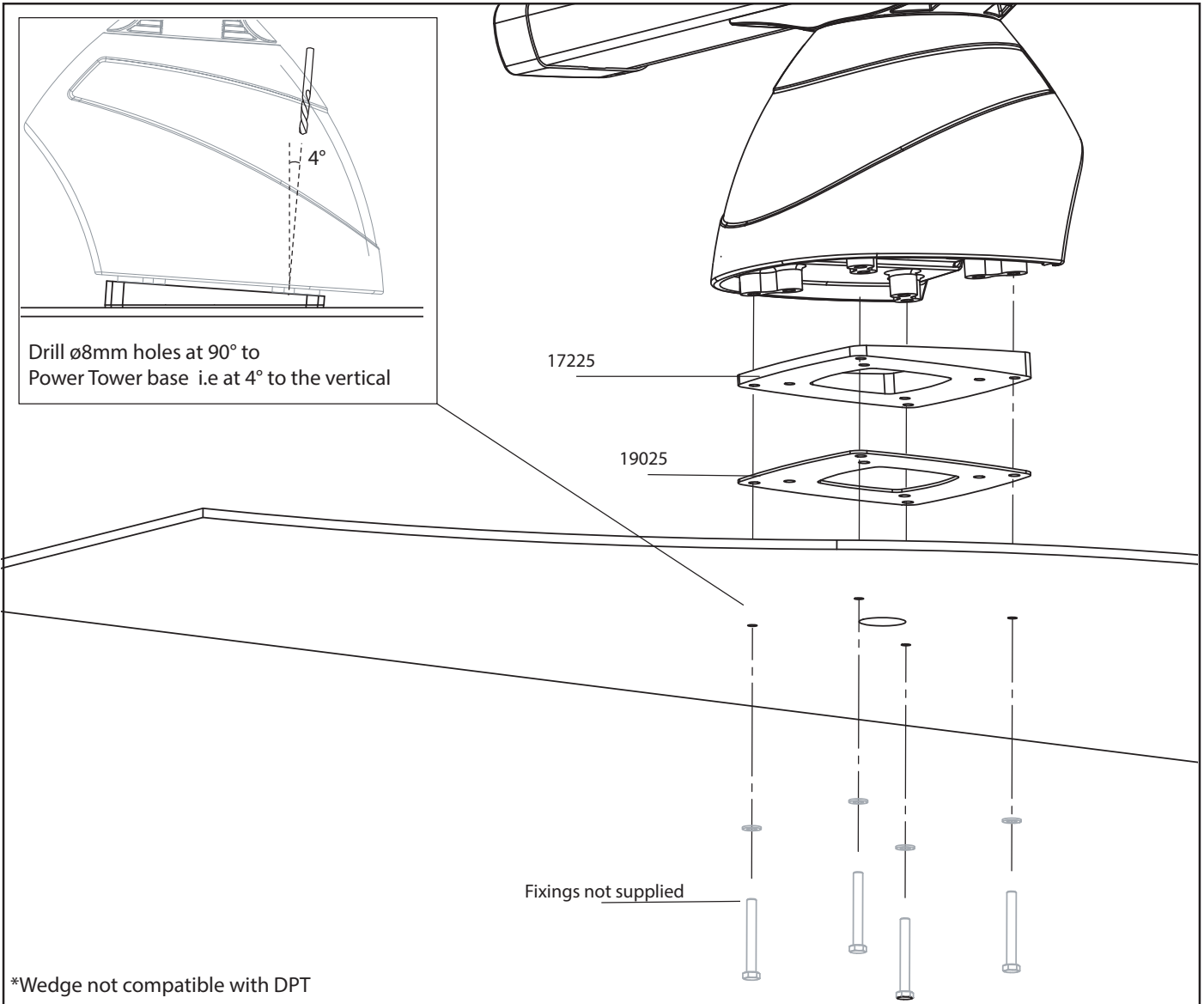
<p>4° Washer</p>  <p>WD-WP 4</p>
--

Tools Required

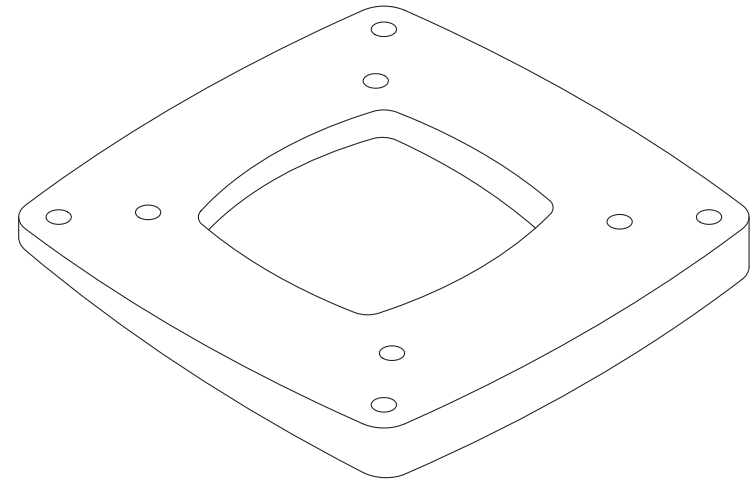
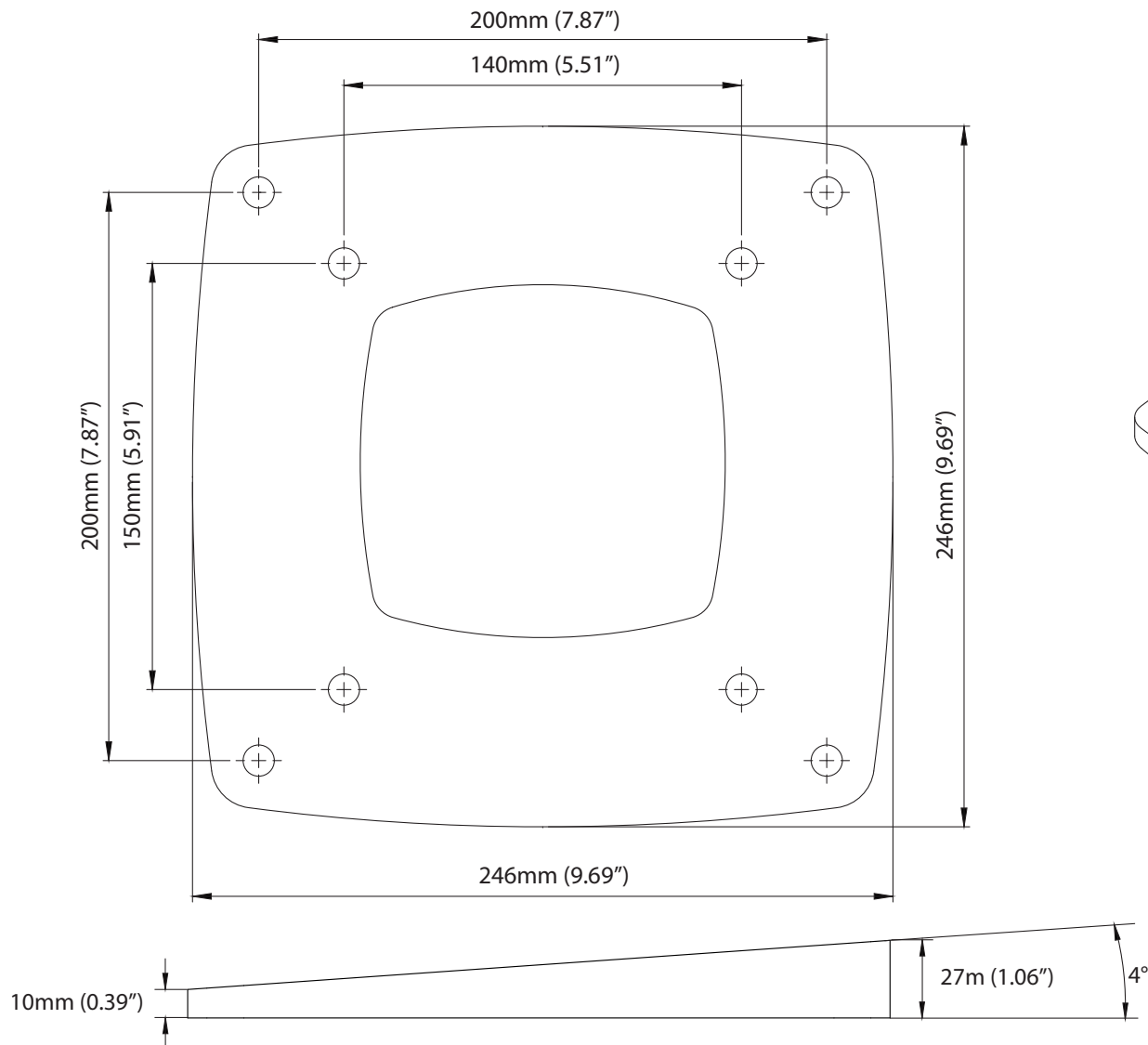
 <p>Spanner to match device fixings.</p>	 <p>10.5mm (5/16")</p>
 <p>Hole saw ø50mm (2")</p>	 <p>Power Drill</p>

Parts Required

 <p>M10</p>	 <p>Large Plain washer</p>
--	---



4° Wedge for Direct Open Array Mount - **WD-OPNARY-01**



SCANSTRUT
designed for life at sea