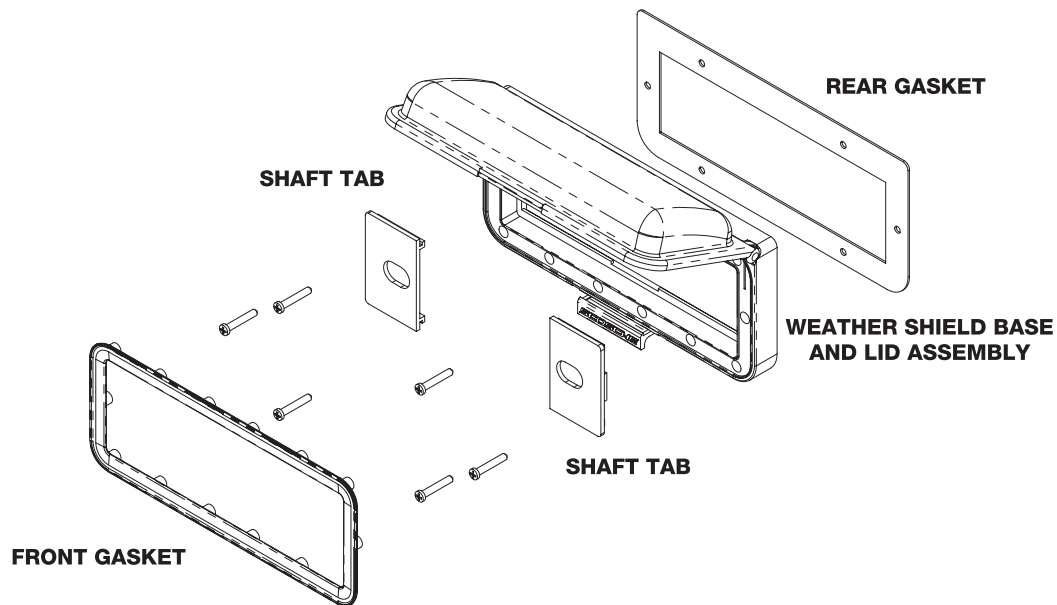


CAR/BOAT STEREO WEATHER SHIELD



INTRODUCTION

The Scosche Weather Shield has been designed for the marine environment. When the cover is down and closed, it mates with special gaskets positioned in the front and rear of the base plate, forming a seal to protect your stereo. The cover provides quick and easy stereo accessibility. The Scosche Weather Shield works with most Shaft and Din style radios.

PARTS LIST

- | | |
|--|-----------------------------|
| (1) Weather Shield base and lid assembly | (6) 1" Phillips head screws |
| (2) Shaft tabs | (1) Drilling template |
| (1) Front gasket | (1) Instruction manual |
| (1) Rear gasket | |



IMPORTANT!

*Do Not Return Product
to the Retailer!*

SCOSCHE®

INSTALLATION

DIN UNIT INSTALLATION

1. Using the supplied drilling template, trace the opening and drilling location outline onto the proper mounting location. Cut out and drill the proper openings.

Note: The mounting screws require a 3/32" drilled hole.

2. Position the rear gasket onto the backside of the Weather Shield, using proper care to align the gasket.

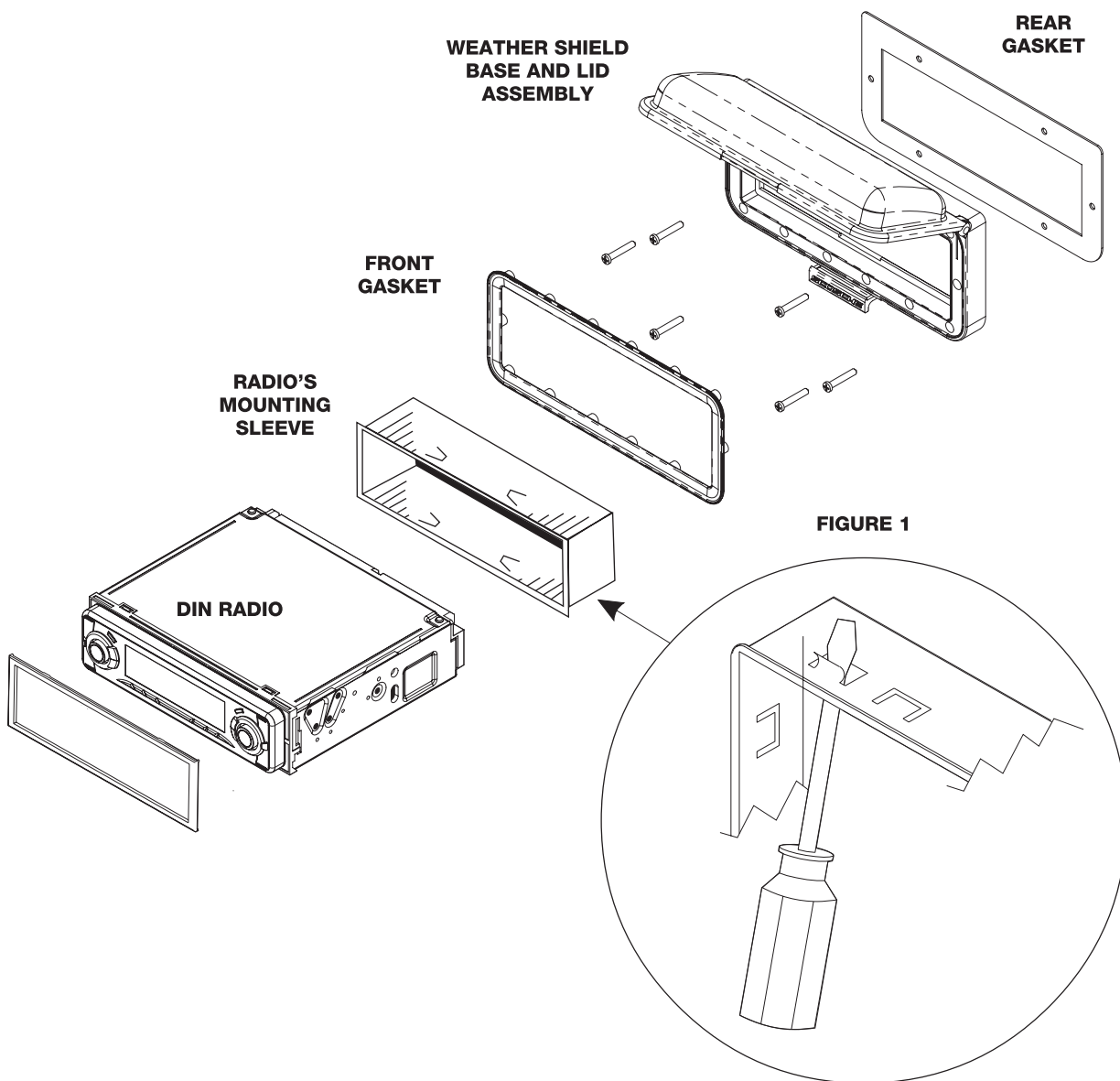
3. Using the supplied Phillips head screws, attach the Weather Shield base to the pre-cut opening.

4. Press the front gasket into the front side of the Weather Shield, using proper care to align the gasket.

5. Insert the stereo's mounting sleeve in the opening of the base. Secure the mounting sleeve to the mounting surface by bending the tabs outward (see Figure 1).

Note: The mounting sleeve is supplied with your stereo.

6. Connect the stereo wiring harness to the car/boat. Insert the stereo into the sleeve, making sure the stereo locks into place properly.



INSTALLATION (cont'd)

SHAFT UNIT INSTALLATION

1. Using the supplied drilling template, trace the opening and drilling location outline onto the proper mounting location. Cut out and drill the proper openings.
Note: The mounting screws require a 3/32" drilled hole.
2. Insert the shaft tabs in the Weather Shield Base, (see Figure 2).
3. Mount the stereo to the base using the mounting shaft tabs.
4. Position the rear gasket onto the backside of the Weather Shield, using proper care to align the gasket.
5. Connect the stereo wiring harness to the car/boat, and slide the stereo and base into the pre-cut opening.
6. Using the supplied Phillips head screws, attach the Weather Shield base, with the shaft stereo mounted to it, to the pre-cut opening.
7. Press the front gasket into the front side of the Weather Shield, using proper care to align the gasket.

