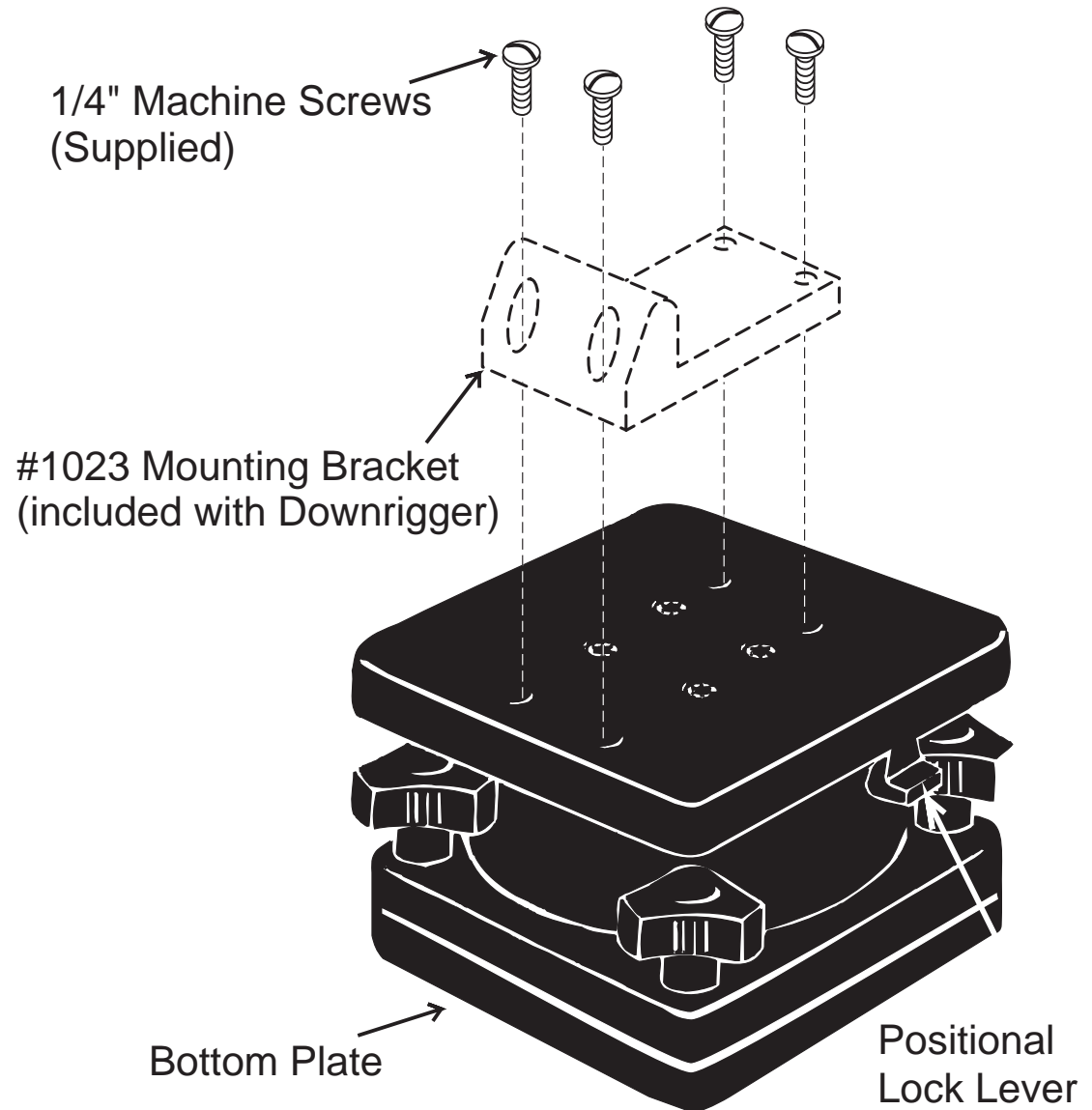




No. 1026 Pedestal/Swivel Mount

1. Fasten the bottom mounting plate to the boat with 1/4" round head stainless steel bolts and nuts. It is recommended to use a wooden or metal backing plate on the underside of your gunnel to help distribute the load.
2. Mount the swivel base onto the bottom mounting plate with the positional lock lever facing the stern of the boat.

NOTE: If a No. 1010 mounting bracket is to be used, fasten to top plate with stainless steel #10 x 1 machine screws and hex nuts.



View [other trolling gear](#) made by [Scotty](#) on our website.